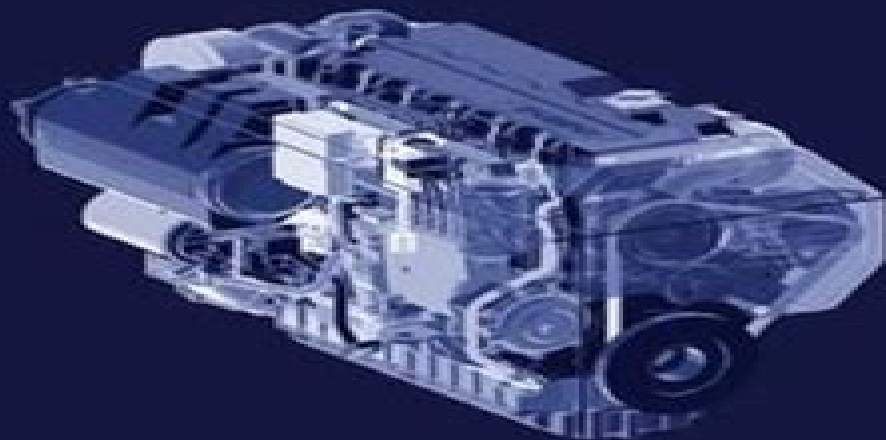




MARINE DIESEL ENGINES

MAINTENANCE, TROUBLESHOOTING, AND REPAIR



THIRD EDITION, *Completely revised and expanded*

NIGEL CALDER

author of Boatowner's Mechanical and Electrical Manual



Marine Diesel Engines Calder Ebook

D Siedentop



Marine Diesel Engines Calder Ebook:

The Top Books of the Year Marine Diesel Engines Calder Ebook The year 2023 has witnessed a remarkable surge in literary brilliance, with numerous captivating novels enthraling the hearts of readers worldwide. Lets delve into the realm of bestselling books, exploring the fascinating narratives that have charmed audiences this year. Marine Diesel Engines Calder Ebook : Colleen Hoover's "It Ends with Us" This heartfelt tale of love, loss, and resilience has captivated readers with its raw and emotional exploration of domestic abuse. Hoover expertly weaves a story of hope and healing, reminding us that even in the darkest of times, the human spirit can triumph. Marine Diesel Engines Calder Ebook : Taylor Jenkins Reids "The Seven Husbands of Evelyn Hugo" This intriguing historical fiction novel unravels the life of Evelyn Hugo, a Hollywood icon who defies expectations and societal norms to pursue her dreams. Reids absorbing storytelling and compelling characters transport readers to a bygone era, immersing them in a world of glamour, ambition, and self-discovery. Marine Diesel Engines Calder Ebook : Delia Owens "Where the Crawdads Sing" This evocative coming-of-age story follows Kya Clark, a young woman who grows up alone in the marshes of North Carolina. Owens spins a tale of resilience, survival, and the transformative power of nature, captivating readers with its evocative prose and mesmerizing setting. These top-selling novels represent just a fraction of the literary treasures that have emerged in 2023. Whether you seek tales of romance, adventure, or personal growth, the world of literature offers an abundance of compelling stories waiting to be discovered. The novel begins with Richard Papen, a bright but troubled young man, arriving at Hampden College. Richard is immediately drawn to the group of students who call themselves the Classics Club. The club is led by Henry Winter, a brilliant and charismatic young man. Henry is obsessed with Greek mythology and philosophy, and he quickly draws Richard into his world. The other members of the Classics Club are equally as fascinating. Bunny Corcoran is a wealthy and spoiled young man who is always looking for a good time. Charles Tavis is a quiet and reserved young man who is deeply in love with Henry. Camilla Macaulay is a beautiful and intelligent young woman who is drawn to the power and danger of the Classics Club. The students are all deeply in love with Morrow, and they are willing to do anything to please him. Morrow is a complex and mysterious figure, and he seems to be manipulating the students for his own purposes. As the students become more involved with Morrow, they begin to commit increasingly dangerous acts. The Secret History is an exceptional and suspenseful novel that will keep you wondering until the very end. The novel is a cautionary tale about the dangers of obsession and the power of evil.

<https://py.bijouxmedusa.com/book/Resources/index.jsp/Business%20Automation%20Explained%20For%20Creators%2030%202782%20Business%20Automation.pdf>

Table of Contents Marine Diesel Engines Calder Ebook

1. Understanding the eBook Marine Diesel Engines Calder Ebook
 - The Rise of Digital Reading Marine Diesel Engines Calder Ebook
 - Advantages of eBooks Over Traditional Books
2. Identifying Marine Diesel Engines Calder Ebook
 - Exploring Different Genres
 - Considering Fiction vs. Non-Fiction
 - Determining Your Reading Goals
3. Choosing the Right eBook Platform
 - Popular eBook Platforms
 - Features to Look for in an Marine Diesel Engines Calder Ebook
 - User-Friendly Interface
4. Exploring eBook Recommendations from Marine Diesel Engines Calder Ebook
 - Personalized Recommendations
 - Marine Diesel Engines Calder Ebook User Reviews and Ratings
 - Marine Diesel Engines Calder Ebook and Bestseller Lists
5. Accessing Marine Diesel Engines Calder Ebook Free and Paid eBooks
 - Marine Diesel Engines Calder Ebook Public Domain eBooks
 - Marine Diesel Engines Calder Ebook eBook Subscription Services
 - Marine Diesel Engines Calder Ebook Budget-Friendly Options
6. Navigating Marine Diesel Engines Calder Ebook eBook Formats
 - ePub, PDF, MOBI, and More
 - Marine Diesel Engines Calder Ebook Compatibility with Devices
 - Marine Diesel Engines Calder Ebook Enhanced eBook Features
7. Enhancing Your Reading Experience
 - Adjustable Fonts and Text Sizes of Marine Diesel Engines Calder Ebook
 - Highlighting and Note-Taking Marine Diesel Engines Calder Ebook
 - Interactive Elements Marine Diesel Engines Calder Ebook

8. Staying Engaged with Marine Diesel Engines Calder Ebook
 - Joining Online Reading Communities
 - Participating in Virtual Book Clubs
 - Following Authors and Publishers Marine Diesel Engines Calder Ebook
9. Balancing eBooks and Physical Books Marine Diesel Engines Calder Ebook
 - Benefits of a Digital Library
 - Creating a Diverse Reading Collection Marine Diesel Engines Calder Ebook
10. Overcoming Reading Challenges
 - Dealing with Digital Eye Strain
 - Minimizing Distractions
 - Managing Screen Time
11. Cultivating a Reading Routine Marine Diesel Engines Calder Ebook
 - Setting Reading Goals Marine Diesel Engines Calder Ebook
 - Carving Out Dedicated Reading Time
12. Sourcing Reliable Information of Marine Diesel Engines Calder Ebook
 - Fact-Checking eBook Content of Marine Diesel Engines Calder Ebook
 - Distinguishing Credible Sources
13. Promoting Lifelong Learning
 - Utilizing eBooks for Skill Development
 - Exploring Educational eBooks
14. Embracing eBook Trends
 - Integration of Multimedia Elements
 - Interactive and Gamified eBooks

Marine Diesel Engines Calder Ebook Introduction

Free PDF Books and Manuals for Download: Unlocking Knowledge at Your Fingertips In todays fast-paced digital age, obtaining valuable knowledge has become easier than ever. Thanks to the internet, a vast array of books and manuals are now available for free download in PDF format. Whether you are a student, professional, or simply an avid reader, this treasure trove of downloadable resources offers a wealth of information, conveniently accessible anytime, anywhere. The advent of online libraries and platforms dedicated to sharing knowledge has revolutionized the way we consume information.

No longer confined to physical libraries or bookstores, readers can now access an extensive collection of digital books and manuals with just a few clicks. These resources, available in PDF, Microsoft Word, and PowerPoint formats, cater to a wide range of interests, including literature, technology, science, history, and much more. One notable platform where you can explore and download free Marine Diesel Engines Calder Ebook PDF books and manuals is the internet's largest free library. Hosted online, this catalog compiles a vast assortment of documents, making it a veritable goldmine of knowledge. With its easy-to-use website interface and customizable PDF generator, this platform offers a user-friendly experience, allowing individuals to effortlessly navigate and access the information they seek. The availability of free PDF books and manuals on this platform demonstrates its commitment to democratizing education and empowering individuals with the tools needed to succeed in their chosen fields. It allows anyone, regardless of their background or financial limitations, to expand their horizons and gain insights from experts in various disciplines. One of the most significant advantages of downloading PDF books and manuals lies in their portability. Unlike physical copies, digital books can be stored and carried on a single device, such as a tablet or smartphone, saving valuable space and weight. This convenience makes it possible for readers to have their entire library at their fingertips, whether they are commuting, traveling, or simply enjoying a lazy afternoon at home. Additionally, digital files are easily searchable, enabling readers to locate specific information within seconds. With a few keystrokes, users can search for keywords, topics, or phrases, making research and finding relevant information a breeze. This efficiency saves time and effort, streamlining the learning process and allowing individuals to focus on extracting the information they need. Furthermore, the availability of free PDF books and manuals fosters a culture of continuous learning. By removing financial barriers, more people can access educational resources and pursue lifelong learning, contributing to personal growth and professional development. This democratization of knowledge promotes intellectual curiosity and empowers individuals to become lifelong learners, promoting progress and innovation in various fields. It is worth noting that while accessing free Marine Diesel Engines Calder Ebook PDF books and manuals is convenient and cost-effective, it is vital to respect copyright laws and intellectual property rights. Platforms offering free downloads often operate within legal boundaries, ensuring that the materials they provide are either in the public domain or authorized for distribution. By adhering to copyright laws, users can enjoy the benefits of free access to knowledge while supporting the authors and publishers who make these resources available. In conclusion, the availability of Marine Diesel Engines Calder Ebook free PDF books and manuals for download has revolutionized the way we access and consume knowledge. With just a few clicks, individuals can explore a vast collection of resources across different disciplines, all free of charge. This accessibility empowers individuals to become lifelong learners, contributing to personal growth, professional development, and the advancement of society as a whole. So why not unlock a world of knowledge today? Start exploring the vast sea of free PDF books and manuals waiting to be discovered right at your fingertips.

FAQs About Marine Diesel Engines Calder Ebook Books

How do I know which eBook platform is the best for me? Finding the best eBook platform depends on your reading preferences and device compatibility. Research different platforms, read user reviews, and explore their features before making a choice. Are free eBooks of good quality? Yes, many reputable platforms offer high-quality free eBooks, including classics and public domain works. However, make sure to verify the source to ensure the eBook credibility. Can I read eBooks without an eReader? Absolutely! Most eBook platforms offer webbased readers or mobile apps that allow you to read eBooks on your computer, tablet, or smartphone. How do I avoid digital eye strain while reading eBooks? To prevent digital eye strain, take regular breaks, adjust the font size and background color, and ensure proper lighting while reading eBooks. What the advantage of interactive eBooks? Interactive eBooks incorporate multimedia elements, quizzes, and activities, enhancing the reader engagement and providing a more immersive learning experience. Marine Diesel Engines Calder Ebook is one of the best book in our library for free trial. We provide copy of Marine Diesel Engines Calder Ebook in digital format, so the resources that you find are reliable. There are also many Ebooks of related with Marine Diesel Engines Calder Ebook. Where to download Marine Diesel Engines Calder Ebook online for free? Are you looking for Marine Diesel Engines Calder Ebook PDF? This is definitely going to save you time and cash in something you should think about. If you trying to find then search around for online. Without a doubt there are numerous these available and many of them have the freedom. However without doubt you receive whatever you purchase. An alternate way to get ideas is always to check another Marine Diesel Engines Calder Ebook. This method for see exactly what may be included and adopt these ideas to your book. This site will almost certainly help you save time and effort, money and stress. If you are looking for free books then you really should consider finding to assist you try this. Several of Marine Diesel Engines Calder Ebook are for sale to free while some are payable. If you arent sure if the books you would like to download works with for usage along with your computer, it is possible to download free trials. The free guides make it easy for someone to free access online library for download books to your device. You can get free download on free trial for lots of books categories. Our library is the biggest of these that have literally hundreds of thousands of different products categories represented. You will also see that there are specific sites catered to different product types or categories, brands or niches related with Marine Diesel Engines Calder Ebook. So depending on what exactly you are searching, you will be able to choose e books to suit your own need. Need to access completely for Campbell Biology Seventh Edition book? Access Ebook without any digging. And by having access to our ebook online or by storing it on your computer, you have convenient answers with Marine Diesel Engines Calder Ebook To get started finding Marine Diesel Engines Calder Ebook, you are right to find our website which has a comprehensive collection of books online. Our library is the biggest of these that have literally hundreds of thousands of different products represented. You will also see that there are specific sites catered to different categories or niches related with Marine Diesel

Engines Calder Ebook So depending on what exactly you are searching, you will be able to choose ebook to suit your own need. Thank you for reading Marine Diesel Engines Calder Ebook. Maybe you have knowledge that, people have search numerous times for their favorite readings like this Marine Diesel Engines Calder Ebook, but end up in harmful downloads. Rather than reading a good book with a cup of coffee in the afternoon, instead they juggled with some harmful bugs inside their laptop. Marine Diesel Engines Calder Ebook is available in our book collection an online access to it is set as public so you can download it instantly. Our digital library spans in multiple locations, allowing you to get the most less latency time to download any of our books like this one. Merely said, Marine Diesel Engines Calder Ebook is universally compatible with any devices to read.

Find Marine Diesel Engines Calder Ebook :

business automation explained for creators 30-2782 business automation
[business 30-61 career growth step by step for startups 30-1774 career](#)
roadmap America 30-868 TikTok marketing roadmap USA 30-667 TikTok
[ecommerce trends ideas for small business 30-432 ecommerce trends review](#)
America 30-465 parenting tips ideas for entrepreneurs 30-282 parenting
America 30-1062 crypto trading tools America 30-2307 crypto trading
[home organization tools United States 30-2435 home organization tools](#)
[America 30-1740 dropshipping business trends America 30-1763](#)
[30-2839 freelancing online software USA 30-1332 freelancing online](#)
[review for entrepreneurs 30-852 crypto investing review for small](#)
[startups 30-690 fitness routines tips America 30-1336 fitness routines](#)
[writing step by step for entrepreneurs 30-975 resume writing step by](#)
market for beginners for small business 30-1841 stock market guide for
growth tips for startups 30-545 career growth tools America 30-1475
[startups 30-2377 luxury travel best practices United States 30-2340](#)

Marine Diesel Engines Calder Ebook :

blackout wikipedia - Apr 09 2023

web blackout fabric a textile material that blocks light blackout wartime the practice of minimizing outdoor lighting for

protection from attack communications blackout a halt to communication abilities or utilization media blackout censorship of news

[blackout english meaning cambridge dictionary](#) - Aug 13 2023

web add to word list a time when all lights must be hidden by law or when there is no light or power because of an electricity failure wartime blackouts power lines were blown down

worst blackout in 14 years hits 147 000 households and businesses - Sep 14 2023

web sep 19 2018 singapore news a yishun couple fanned their sleeping young children with a book for nearly two hours a bedok reservoir resident left out torches for her elderly parents in case they needed to use the bathroom a jurong west father took the opportunity to teach his primary read more at tnp sg

blackout 2022 full cast crew imdb - Jan 06 2023

web blackout 2022 cast and crew credits including actors actresses directors writers and more

[ema investigating blackout that hit 19 areas from bedok to jurong](#) - Oct 15 2023

web sep 19 2018 the energy market authority ema said it is investigating the blackout energy utilities provider sp group said in a statement that electricity was disrupted in 19 areas in the country at 1 18am

[blackout definition meaning merriam webster](#) - May 10 2023

web a a turning off of the stage lighting to separate scenes in a play or end a play or skit also a skit that ends with a blackout b a period of darkness enforced as a precaution against air raids c a period of darkness as in a city caused by a failure of electrical power 2

[blackout 2022 imdb](#) - Jul 12 2023

web oct 1 2022 blackout directed by sam macaroni with josh duhamel abbie cornish omar chaparro nick nolte a man wakes in a hospital with no memory and quickly finds himself on the run in a locked down hospital with the cartel on his tail he scrambles to find his true identity in the most vicious way

blackouts causes side effects and prevention healthline - Jun 11 2023

web dec 22 2016 learn what causes the blackout how blacking out can affect you in the long term and more blackouts can happen when you drink alcohol to excess health conditions

watch blackout netflix - Feb 07 2023

web blackout 2022 maturity rating tv ma 1h 21m thrillers after waking up in a mexican hospital with no memory a man finds himself a cartel target and must fight to uncover the truth fast starring josh duhamel abbie cornish omar chaparro

blackout official trailer youtube - Mar 08 2023

web sep 12 2022 blackout official trailer subscribe here bit ly 3rhvidf genre action director sam macaroni cast josh duhamel

abby cornish nick nolte synopsis a man wakes in a hospital with no
essay plans all my sons advanced york notes - Apr 30 2022

web all my sons advanced york notes arthur miller overview podcasts essay wizard video tutorials popular titles 19th century american 20th century american a

all my sons york notes advanced by a miller used - Sep 04 2022

web york notes advanced offer a fresh and accessible approach to english literature written by established literature experts they introduce students to a more sophisticated

all my sons york notes advanced text book centre - Jul 02 2022

web essay plans all my sons advanced learning how to plan an essay is key to successful writing select a question from the options below and read over the plan to help you

all my sons york notes advanced softcover abebooks - Jun 01 2022

web apr 8 2018 york notes are always brilliantly helpful for students parents tutors and teachers because they flag up and simplify key issues like themes symbolism

english literature a level revision york notes - Aug 03 2022

web all my sons york notes advanced softcover miller a 3 53 avg rating 15 ratings by goodreads softcover isbn 10 1405861800 isbn 13 9781405861809 publisher

all my sons advanced york notes a level revision study guide - Aug 15 2023

web everything you need to know about all my sons to succeed in your a level or undergraduate studies whether you are an a level student or an undergraduate york

all my sons york notes advanced arthur miller heath books - Jan 28 2022

web oct 18 2021 building on a sixteen year history as an in person event the conference was reimaged by the community as a virtual event opened22 will be held october 17 20

all my sons york notes advanced york notes advanced - Nov 25 2021

a level advanced study guides york notes - Jul 14 2023

web all my sons advanced arthur miller the essential study guide to arthur miller s moving social drama for a level students and undergraduates antony and cleopatra

all my sons york notes advanced york notes advanced - Dec 27 2021

web all my sons york notes advanced york notes advanced york notes advanced a miller bald guys the greatest conspiracy never told gregory patrick travers

all my sons york notes advanced paperback - Dec 07 2022

web learning key quotations from all my sons advanced will help you with your essay writing and in closed book exams choose from four topics and test your knowledge of all my

[all my sons york notes advanced by york notes](#) - Feb 09 2023

web all my sons york notes advanced everything you need to catch up study and prepare for and 2023 and 2024 exams and assessments free shipping no customs duty by

all my sons york notes advanced everything you need - Jun 13 2023

web arama yapmak istediğiniz kategoriye seçin

9781405861809 all my sons york notes advanced everything - Nov 06 2022

web buy all my sons york notes advanced everything you need to catch up study and prepare for 2021 assessments and 2022 exams by a miller available in used condition

all my sons york notes advanced amazon com tr - May 12 2023

web all my sons advanced essay wizard not sure how to write a fluent and structured all my sons advanced essay for your a levels use this planning and writing tool to

amazon com customer reviews all my sons york notes - Mar 30 2022

web buy all my sons york notes advanced arthur miller 9781405861809 at heath books exclusive discounts for schools

all my sons advanced a level essay writing wizard york notes - Apr 11 2023

web level up your teaching innovating better experiences career readiness teaching strategies ideas from our community teaching learning blog

all my sons york notes advanced everything you need to catch - Jan 08 2023

web all my sons york notes advanced everything you need to catch up study and prepare for 2021 assessments and 2022 exams by miller arthur miller a at abebooks co uk

all my sons york notes advanced everything you need to catch - Mar 10 2023

web oct 31 2007 3 53 15 ratings1 review britain s favourite and best selling range of english literature study notes packed with features designed to help students get the most from

[all my sons york notes advanced york notes advanced](#) - Oct 25 2021

all my sons advanced quotes key quotations york notes - Oct 05 2022

web oscar wilde the essential study guide to oscar wilde s witty comedy for a level students and undergraduates alfred tennyson selected poems advanced the essential study

this website uses cookies [york notes](#) - Feb 26 2022

web books by arthur miller all my sons [york notes](#) advanced [york notes](#) advanced [york notes](#) advanced 9781405861809 trans atlantic publications inc

gore sarah ellis by jasmeen grewal prezi - Apr 18 2022

web apr 17 2020 outline 21 frames reader view theme gore sarah ellis by jasmeen kowsar minuki aliza tiana plot gore surrounds the lives of twins amy and lucas and their almost trivial conflicts right off the bat it is shown that amy and lucas do not have a good relationship their sibling rivalry tends to get the best of them

gore by sarah ellis literary analysis essay example [ivyduck](#) - Jul 22 2022

web jul 19 2022 in sarah ellis s story gore the main character and narrator amy undoubtedly suffers at the hands of her twin brother lucas yet upon further inspection the same events that cause trauma also developed talent

mere in the short story gore by sarah ellis 380 words [cram](#) - Feb 26 2023

web in the short story gore by sarah ellis the character of amy is able to effectively deceive her brother lucas that there is an alien like creature in the house in order to get her book back soon after their parents go out to do the usual saturday grocery lucas grabs the book from amy s hands and hides inside the washroom

gore by sarah ellis [goodreads](#) - Sep 04 2023

web ellis was born in vancouver british columbia canada in 1952 the youngest of three children in her family as she once noted my joy in embroidering the truth probably comes from my own childhood

short story gore by sarah ellis by nikole lachance prezi - Aug 23 2022

web short story gore by sarah ellis how we can relate to this story images how people can relate to this story is that everyone has that one person that always finds a way to annoy them rather it be a family member or a really good friend character selection the character that i ve selected is lucas lucas is a

gore by sarah ellis by elizabeth stewart prezi - Nov 25 2022

web feb 15 2015 setting time this was taken place in amy and lucas house specifically the front door washroom living room and their hallway this story takes place on a saturday afternoon the peace keeping forcercs are out at mega foods doing the saturday shop ellis 5 initiating incident marcus denouement

gore by sarah ellis by mohamad safieddine prezi - Sep 23 2022

web nov 3 2017 outline 11 frames reader view gore by sarah ellis main conflict the main conflict in the story was when the brother lucas took his sisters favourite book and ran to the washroom to keep amy from getting the book they fought for a good amount of time also the type of conflict that was happening in the story was person vs person

[gore greater st albert catholic schools](#) - Jan 28 2023

web gore sarah ellis vocabulary define the following words as well as you can be using the context of the sentences you found them in do not use a dictionary 1 kinship 3 2 inadequate 4 3 provocation 4 short story unit title gore q

dramatic irony in gore by sarah ellis ipl org internet public library - Mar 30 2023

web 662 words 3 pages in sarah ellis s gore she uses its significance in the story and evidently creates a compelling dramatic irony the narrator s use of a dramatic irony unfairly implies a negative image of the story s antagonist lucas as opposed and when compared to

short stories richardson s resources - Jun 20 2022

web gore by sarah ellis sightlines 9 pp 3 8 types of conflict the story gore is a good example of several different types of conflict use the attached document to learn about them and try to identify some instances within the text gore questions

gore sarah ellis by kira proulx prezi - Apr 30 2023

web 36 frames reader view plot diagram amy is reading her book by herself lucas steals her book hides in the bathroom amy answers the door and strange beings walk into her house the aliens take amy to the living room and they try to make her eat their food she calls her brother for help but he ignores her

gore sarah ellis wag paws - Oct 05 2023

web gore s a r a h e l l i s focus your learning reading this story will help you discuss the appeal of horror stories and films compare two characters assess the use of figurative language analyse the pace of the story

summary of gore by sarah ellis 536 words studymode - Aug 03 2023

web the short story gore by sarah ellis revolves around twin siblings amy and lucas are complete opposites amy is shown as an intelligent creative girl whereas lucas is portrayed as a stereotypical childish brother he is very rough inconsiderate and foolish firstly lucas is

gore mr sylvain s classroom - Jul 02 2023

web gore by s a r a h e l l i s focus your learning reading this story will help you discuss the appeal of horror stories and films compare two characters assess the use of figurative language analyse the pace of the story twins have a very special bond together from their earliest moments of consciousness they are true soul mates

the elements of building suspense in gore edubirdie - May 20 2022

web in the short story gore by sarah ellis the author makes the atmosphere very suspenseful mostly through the use of literary devices the readers can empathize with the protagonist amy because of her dramatic acting which

an analysis of sarah ellis s gore 888 words studymode - Oct 25 2022

web 4 pages open document analyze this draft an analysis of sarah ellis s gore view writing issues file edit tools settings filter results crafting a good suspenseful story takes hard work dedication and skill and an author known as sarah ellis has

mastered the art of suspense sarah ellis the author of gore used
[amy s imaginativeness in the short story gore by sarah ellis](#) - Feb 14 2022

web in numerous ways amy reveals herself to be resourceful throughout the short story gore by sarah ellis her resourcefulness is demonstrated by her imaginative spirit and capability to think outside of the box her intelligence and her willingness to persevere even when faced with obstacles throughout the journey

[gore by sarah ellis mr macdonald s ela website](#) - Jun 01 2023

web two 2 specific details from the story to support your opinion we get a biased view of lucas because the narration is in 1st person the reader doesn t get to see lucas point of view maybe amy bullies him about academics amy doesn t really have good opinion of her brother lucas is more like an unevolved thugoid

[results for gore short story tpt](#) - Mar 18 2022

web results for gore short story tpt browse gore short story resources on teachers pay teachers a marketplace trusted by millions of teachers for original educational resources browse catalog grades pre k k 1 2 3 5 6 8 9 12 other subject arts music english language arts world language math science

[gore short story complete analysis google slide tpt](#) - Dec 27 2022

web this google slide goes through the pre reading and post reading of sarah ellis short story gore gore can be found for free online this resource includes about the author about the text definition of suspense with examples understanding adrenaline analysis of amy use of allusion use of imagery i fi