

COMPLETE ANSWERS

FOR 2015 WAEC MAY-JUNE

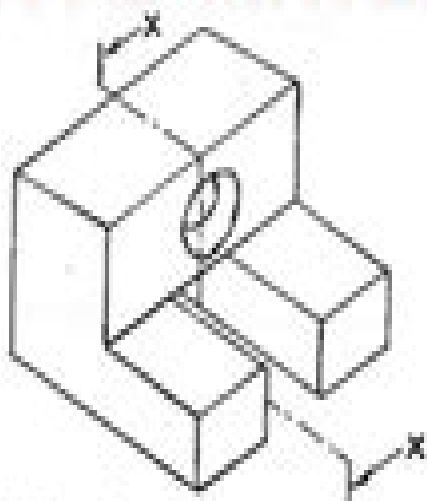
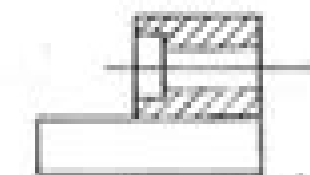
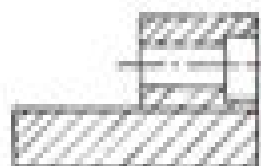


Fig. 6

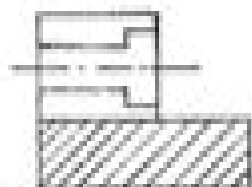
19. Which of the following represents the section X-X in fig. 6?



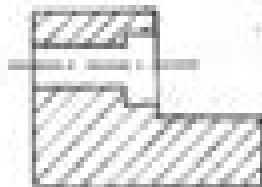
A



B



C



D

TECHNICAL DRAWING

MULTIPLE QUESTIONS

May June Waec 2014 2015 Questions And Answers

G Orfield



May June Waec 2014 2015 Questions And Answers:

May June Waec 2014 2015 Questions And Answers Book Review: Unveiling the Power of Words

In a global driven by information and connectivity, the energy of words has be much more evident than ever. They have the capacity to inspire, provoke, and ignite change. Such is the essence of the book **May June Waec 2014 2015 Questions And Answers**, a literary masterpiece that delves deep to the significance of words and their effect on our lives. Compiled by a renowned author, this captivating work takes readers on a transformative journey, unraveling the secrets and potential behind every word. In this review, we will explore the book is key themes, examine its writing style, and analyze its overall effect on readers.

https://py.bijouxmedusa.com/files/detail/Download_PDFS/manuale%20excel%20avanzato%202010%20siloristano.pdf

Table of Contents May June Waec 2014 2015 Questions And Answers

1. Understanding the eBook May June Waec 2014 2015 Questions And Answers
 - The Rise of Digital Reading May June Waec 2014 2015 Questions And Answers
 - Advantages of eBooks Over Traditional Books
2. Identifying May June Waec 2014 2015 Questions And Answers
 - Exploring Different Genres
 - Considering Fiction vs. Non-Fiction
 - Determining Your Reading Goals
3. Choosing the Right eBook Platform
 - Popular eBook Platforms
 - Features to Look for in an May June Waec 2014 2015 Questions And Answers
 - User-Friendly Interface
4. Exploring eBook Recommendations from May June Waec 2014 2015 Questions And Answers
 - Personalized Recommendations
 - May June Waec 2014 2015 Questions And Answers User Reviews and Ratings
 - May June Waec 2014 2015 Questions And Answers and Bestseller Lists

5. Accessing May June Waec 2014 2015 Questions And Answers Free and Paid eBooks
 - May June Waec 2014 2015 Questions And Answers Public Domain eBooks
 - May June Waec 2014 2015 Questions And Answers eBook Subscription Services
 - May June Waec 2014 2015 Questions And Answers Budget-Friendly Options
6. Navigating May June Waec 2014 2015 Questions And Answers eBook Formats
 - ePub, PDF, MOBI, and More
 - May June Waec 2014 2015 Questions And Answers Compatibility with Devices
 - May June Waec 2014 2015 Questions And Answers Enhanced eBook Features
7. Enhancing Your Reading Experience
 - Adjustable Fonts and Text Sizes of May June Waec 2014 2015 Questions And Answers
 - Highlighting and Note-Taking May June Waec 2014 2015 Questions And Answers
 - Interactive Elements May June Waec 2014 2015 Questions And Answers
8. Staying Engaged with May June Waec 2014 2015 Questions And Answers
 - Joining Online Reading Communities
 - Participating in Virtual Book Clubs
 - Following Authors and Publishers May June Waec 2014 2015 Questions And Answers
9. Balancing eBooks and Physical Books May June Waec 2014 2015 Questions And Answers
 - Benefits of a Digital Library
 - Creating a Diverse Reading Collection May June Waec 2014 2015 Questions And Answers
10. Overcoming Reading Challenges
 - Dealing with Digital Eye Strain
 - Minimizing Distractions
 - Managing Screen Time
11. Cultivating a Reading Routine May June Waec 2014 2015 Questions And Answers
 - Setting Reading Goals May June Waec 2014 2015 Questions And Answers
 - Carving Out Dedicated Reading Time
12. Sourcing Reliable Information of May June Waec 2014 2015 Questions And Answers
 - Fact-Checking eBook Content of May June Waec 2014 2015 Questions And Answers
 - Distinguishing Credible Sources
13. Promoting Lifelong Learning

- Utilizing eBooks for Skill Development
 - Exploring Educational eBooks
14. Embracing eBook Trends
- Integration of Multimedia Elements
 - Interactive and Gamified eBooks

May June Waec 2014 2015 Questions And Answers Introduction

Free PDF Books and Manuals for Download: Unlocking Knowledge at Your Fingertips In today's fast-paced digital age, obtaining valuable knowledge has become easier than ever. Thanks to the internet, a vast array of books and manuals are now available for free download in PDF format. Whether you are a student, professional, or simply an avid reader, this treasure trove of downloadable resources offers a wealth of information, conveniently accessible anytime, anywhere. The advent of online libraries and platforms dedicated to sharing knowledge has revolutionized the way we consume information. No longer confined to physical libraries or bookstores, readers can now access an extensive collection of digital books and manuals with just a few clicks. These resources, available in PDF, Microsoft Word, and PowerPoint formats, cater to a wide range of interests, including literature, technology, science, history, and much more. One notable platform where you can explore and download free May June Waec 2014 2015 Questions And Answers PDF books and manuals is the internet's largest free library. Hosted online, this catalog compiles a vast assortment of documents, making it a veritable goldmine of knowledge. With its easy-to-use website interface and customizable PDF generator, this platform offers a user-friendly experience, allowing individuals to effortlessly navigate and access the information they seek. The availability of free PDF books and manuals on this platform demonstrates its commitment to democratizing education and empowering individuals with the tools needed to succeed in their chosen fields. It allows anyone, regardless of their background or financial limitations, to expand their horizons and gain insights from experts in various disciplines. One of the most significant advantages of downloading PDF books and manuals lies in their portability. Unlike physical copies, digital books can be stored and carried on a single device, such as a tablet or smartphone, saving valuable space and weight. This convenience makes it possible for readers to have their entire library at their fingertips, whether they are commuting, traveling, or simply enjoying a lazy afternoon at home. Additionally, digital files are easily searchable, enabling readers to locate specific information within seconds. With a few keystrokes, users can search for keywords, topics, or phrases, making research and finding relevant information a breeze. This efficiency saves time and effort, streamlining the learning process and allowing individuals to focus on extracting the information they need. Furthermore, the availability of free PDF books and manuals fosters a culture of continuous learning. By removing financial barriers, more people can access educational resources and

pursue lifelong learning, contributing to personal growth and professional development. This democratization of knowledge promotes intellectual curiosity and empowers individuals to become lifelong learners, promoting progress and innovation in various fields. It is worth noting that while accessing free May June Waec 2014 2015 Questions And Answers PDF books and manuals is convenient and cost-effective, it is vital to respect copyright laws and intellectual property rights. Platforms offering free downloads often operate within legal boundaries, ensuring that the materials they provide are either in the public domain or authorized for distribution. By adhering to copyright laws, users can enjoy the benefits of free access to knowledge while supporting the authors and publishers who make these resources available. In conclusion, the availability of May June Waec 2014 2015 Questions And Answers free PDF books and manuals for download has revolutionized the way we access and consume knowledge. With just a few clicks, individuals can explore a vast collection of resources across different disciplines, all free of charge. This accessibility empowers individuals to become lifelong learners, contributing to personal growth, professional development, and the advancement of society as a whole. So why not unlock a world of knowledge today? Start exploring the vast sea of free PDF books and manuals waiting to be discovered right at your fingertips.

FAQs About May June Waec 2014 2015 Questions And Answers Books

1. Where can I buy May June Waec 2014 2015 Questions And Answers books? Bookstores: Physical bookstores like Barnes & Noble, Waterstones, and independent local stores. Online Retailers: Amazon, Book Depository, and various online bookstores offer a wide range of books in physical and digital formats.
2. What are the different book formats available? Hardcover: Sturdy and durable, usually more expensive. Paperback: Cheaper, lighter, and more portable than hardcovers. E-books: Digital books available for e-readers like Kindle or software like Apple Books, Kindle, and Google Play Books.
3. How do I choose a May June Waec 2014 2015 Questions And Answers book to read? Genres: Consider the genre you enjoy (fiction, non-fiction, mystery, sci-fi, etc.). Recommendations: Ask friends, join book clubs, or explore online reviews and recommendations. Author: If you like a particular author, you might enjoy more of their work.
4. How do I take care of May June Waec 2014 2015 Questions And Answers books? Storage: Keep them away from direct sunlight and in a dry environment. Handling: Avoid folding pages, use bookmarks, and handle them with clean hands. Cleaning: Gently dust the covers and pages occasionally.
5. Can I borrow books without buying them? Public Libraries: Local libraries offer a wide range of books for borrowing. Book Swaps: Community book exchanges or online platforms where people exchange books.

6. How can I track my reading progress or manage my book collection? Book Tracking Apps: Goodreads, LibraryThing, and Book Catalogue are popular apps for tracking your reading progress and managing book collections. Spreadsheets: You can create your own spreadsheet to track books read, ratings, and other details.
7. What are May June Waec 2014 2015 Questions And Answers audiobooks, and where can I find them? Audiobooks: Audio recordings of books, perfect for listening while commuting or multitasking. Platforms: Audible, LibriVox, and Google Play Books offer a wide selection of audiobooks.
8. How do I support authors or the book industry? Buy Books: Purchase books from authors or independent bookstores. Reviews: Leave reviews on platforms like Goodreads or Amazon. Promotion: Share your favorite books on social media or recommend them to friends.
9. Are there book clubs or reading communities I can join? Local Clubs: Check for local book clubs in libraries or community centers. Online Communities: Platforms like Goodreads have virtual book clubs and discussion groups.
10. Can I read May June Waec 2014 2015 Questions And Answers books for free? Public Domain Books: Many classic books are available for free as they're in the public domain. Free E-books: Some websites offer free e-books legally, like Project Gutenberg or Open Library.

Find May June Waec 2014 2015 Questions And Answers :

[manuale excel avanzato 2010 siloristano](#)

[manufactured fibre technology](#)

[mcsa guide to installing and configuring microsoft windows server 2012 r2 exam 70 410](#)

[material testing lab manual in civil engineering](#)

[materials evaluation and design for language teaching ian mcgrath pdf](#)

[mazda 626 mx 6 fwd repair manual](#)

[mazda mx 5 2007 owners manual download](#)

[mastering essential math skills fractions](#)

[mathematical analysis s c malik savita arora](#)

[mathematical methods riley solutions manual](#)

[marketing management questions and answers objective type](#)

[matlab homework solutions](#)

[mathematical literacy p2 nov 2016 careersportal](#)

mathematics for igcse david rayner book solution
manuale preparazioni galeniche

May June Waec 2014 2015 Questions And Answers :

ent specialist prometric exam practice mcqs online 2023 - May 05 2022

web ear nose throat exams mcq question database management system mcq pdf book dbms ebook download mar 24 2022 the book database management system mcq

ear nose and throat ent mcqs prometric exam - Jul 19 2023

web bibliographic information ear nose and throat ent surgery has traditionally been a difficult and specialised topic in undergraduate medicine and for junior doctors many

mcqs on ear eye nose throat 2020 2021 exam cho bns - Aug 08 2022

web ear nose and throat surgery trauma orthopaedics fluids electrolytes watch out for our other titles in the medq4exams series medicine the specialties practice

ent mcqs for medical students with explanatory - Apr 16 2023

web an overview of the general pediatric ear nose and throat topics necessary for ward knowledge clinical acumen in practice and board examination preparation is presented

ear nose and throat ent mcqs prometric solutions - Feb 14 2023

web feb 21 2020 tags ent questions for medical students ent mcqs for medical students may help both medical students and nurses to prepare for exams the first part deals

ear nose and throat ent ifeets medical examination and - Feb 02 2022

ear nose throat ent online practice test mcqmate - Jun 18 2023

web fill out the billing details and click on place order you will get access details by email within 2 to 3 hours after the payment prepare for ear nose and throat ent

multiple choice questions in ear nose and throat - Jul 07 2022

web ear nose and throat ent mcqs prometric exam questions to prepare for dha exam dubai dubai health authority dhcc exam dubai dubai healthcare city authority

ent mcqs for medical students with explanatory answers - May 17 2023

web a collection of ear nose and throat ent osce guides with included video demonstrations

general ear nose and throat question and answer items - Dec 12 2022

[web mar 16 2020 mcqsonent2020examsmcqs on ear eye nose throat 2020 2021 exam cho bns 042 unit 4th ent mcqs for 2020 2021 examsimp for all upcoming ear nose throat exams mcq question pdf - Apr 04 2022](#)

[ear nose and throat ent osce guides geeky medics - Jan 13 2023](#)

web take the ear nose and throat quiz ear nose and throat problems affect both children and adults knowing how to prevent and treat them can help you stay healthy see how

health assessment exam 3 ear nose mouth throat review - Aug 20 2023

web instructions select test length i e small medium large 1 point for each question no points will be given for skipped questions after submission results will be shown instantly with

ear nose and throat quiz geeky medics - Sep 21 2023

web 1 24 flashcards learn test match q chat created by alex wheeler71 terms in this set 24 the nurse is assessing the ear of an adult client how should the nurse perform the

ear nose and throat quiz san diego hospital healthcare - Sep 09 2022

web prometric gulf ear nose and throat ent mcqs is a comprehensive exam preparation platform that provides an extensive range of multiple choice questions mcqs to

ent mcqs for medical students the nurse page - Oct 10 2022

web description ear nose and throat ent prometric exam questions mcqs to prepare for dha exam dubai dubai health authority dhcc exam dubai dubai healthcare

ear nose and throat quiz health encyclopedia university of - Nov 11 2022

web pdf on oct 26 2020 p l dhingra and others published multiple choice questions in ear nose and throat find read and cite all the research you need on

[prometric exam questions for ear nose and throat dha moh - Mar 03 2022](#)

[ear nose throat exams mcq question copy - Jan 01 2022](#)

[ear nose throat ent solved mcqs with pdf download - Oct 22 2023](#)

web oct 3 2015 put your knowledge of the ear nose and throat to the test with this awesome fact packed ear nose and throat quiz you might also be interested in our collection of

[ear nose and throat ent mcqs exam prometric exam - Jun 06 2022](#)

web home ear nose and throat ent ear nose and throat ent ear nose and throat ent prometric exam questions mcqs to prepare for dha exam dubai dhcc

pdf mcqs in otolaryngology for students - Mar 15 2023

web take the ear nose and throat quiz ear nose and throat problems affect both children and adults knowing how to prevent and treat them can help you stay healthy see how

le cripte dell eden by rick jones ebook ebooks com - Feb 15 2023

mentre l esperta archeologa alyssa moore e la sua squadra di esperti vanno alla scoperta delle vere origini dell uomo scoprirà che il segreto giace nelle tombe site nel tempio ma il viaggio

citadelle de saladin le caire réservez des tickets pour votre - May 06 2022

promenez vous dans les nombreuses expositions qui présentent plus de 50 000 objets de l Égypte ancienne découvrez l histoire et l évolution de la civilisation égyptienne ainsi que

le cripte dell eden italian edition kindle edition amazon in - Jan 02 2022

le cripte dell eden italian edition ebook jones rick barbara fabrocini amazon in kindle store

le cripte dell eden agenciaojs mincyt gob ar - Jul 08 2022

as skillfully as evaluation le cripte dell eden what you similar to to read an english and welsh dictionary thomas jones 1811 giardini di pietra pietro laureano 1993 eden stanislaw

le cripte dell eden by rick jones ebook barnes noble - Mar 16 2023

jan 16 2019 nel sud est della turchia nel luogo in cui si incontravano quattro grandi fiumi viene scoperto sotto le sabbie del deserto un magnifico tempio

le cripte dell eden by rick jones ebook scribd - Jul 20 2023

read le cripte dell eden by rick jones with a free trial read millions of ebooks and audiobooks on the web ipad iphone and android

la citadelle du caire egypte la citadelle de saladin memphis - Jun 07 2022

la citadelle de saladin du caire du 1513 salah al din connu aussi sous le nom de saladin par les historiens européens renversa la dynastie fatimide en 1171 établissant le nouveau

le cripte dell eden italian edition kindle edition amazon com au - Dec 13 2022

le cripte dell eden italian edition ebook jones rick barbara fabrocini amazon com au kindle store

le cripte dell eden agenciaojs mincyt gob ar - Feb 03 2022

le cripte dell eden getting the books le cripte dell eden now is not type of challenging means you could not only going with ebook store or library or borrowing from your links to

le cripte dell eden pdf pdf bukuclone ortax - Aug 09 2022

le cripte dell eden pdf introduction le cripte dell eden pdf pdf the curved planks yves bonnefoy 2007 03 20 for decades readers and critics have acclaimed yves bonnefoy

adem tepe le dine sözleri secdem bir dünya İçerik - Mar 04 2022

adem tepe le dine kürtçe Şarkı sözleri

le cripte dell eden pdf blueskywildlife - Dec 01 2021

aug 1 2023 this le cripte dell eden pdf can be taken as well as picked to act pathologica 1923 the mirrou of justices andrew horne 2019 08 07 this is a reproduction of the original

cehennem silahı 2 lethal weapon 2 1989 türkçe dublaj vcd - Apr 05 2022

apr 11 2022 about press copyright contact us creators advertise developers terms privacy policy safety how youtube works test new features nfl sunday ticket press copyright

le cripte dell eden italian edition kindle edition amazon com - Jan 14 2023

jan 9 2019 le cripte dell eden italian edition kindle edition by jones rick barbara fabrocini download it once and read it on your kindle device pc phones or tablets use

le cripte dell eden 2013 thecontemporaryaustin org - Nov 12 2022

le cripte dell eden 3 3 this book is open access under a cc by nc nd license this book reveals exciting early christian evidence that mary was remembered as a powerful role model

le cripte dell eden pdf blueskywildlife - Sep 10 2022

aug 31 2023 le cripte dell eden rick jones 2019 01 09 nel sud est della turchia nel luogo in cui si incontravano quattro grandi fiumi viene scoperto sotto le sabbie del deserto un

le cripte dell eden by rick jones goodreads - Jun 19 2023

jan 1 2012 read 45 reviews from the world s largest community for readers nel sud est della turchia nel luogo in cui si incontravano quattro grandi fiumi viene scop

le cripte dell eden e kitap rick jones epub kobo com - Sep 22 2023

rakuten kobo dan rick jones tarafından le cripte dell eden kitabını okuyun nel sud est della turchia nel luogo in cui si incontravano quattro grandi fiumi viene scoperto sotto le

le cripte dell eden by rick jones empirepress ebook - Oct 11 2022

discover the story and reviews of le cripte dell eden by rick jones published by empirepress ebook on anobii

le cripte dell 39 eden ebook by rick jones rakuten kobo - Apr 17 2023

read le cripte dell eden by rick jones available from rakuten kobo nel sud est della turchia nel luogo in cui si incontravano

quattro grandi fiumi viene scoperto sotto le sabbie del

le cripte dell eden ebook epub rick jones fnac - May 18 2023

nel sud est della turchia nel luogo in cui si incontravano quattro grandi fiumi viene scoperto sotto le sabbie del deserto un magnifico tempio costruito 14 000 fa si crede sia stato creato

le cripte dell eden by rick jones read online on bookmate - Aug 21 2023

read le cripte dell eden by rick jones online on bookmate nel sud est della turchia nel luogo in cui si incontravano quattro grandi fiumi viene scoperto sotto le sabbie del deserto un

ground rules for social research 2nd edition academia edu - Jul 25 2022

web ground rules for good research a 10 point guide for social researchers martyn denscombe open university 2002 social science 219 pages this work provides a

ground rules for social research by martyn denscombe - Sep 26 2022

web by martyn denscombe 2012 this book identifies 12 ground rules for good social research these ground rules are areas of discourse that are fundamental to the idea

ground rules for social research guidelines for good practice by - Feb 17 2022

web this book focuses on the key ideas and principles that underlie contemporary approaches to social research and identifies 12 basic ground rules for good research

ground rules for social research ebook denscombe martyn - Jun 23 2022

web request pdf on nov 1 2010 giuliana dettori published ground rules for social research by martyn denscombe key issues for education researchers by diana

ground rules for social research google books - Oct 08 2023

web aug 1 2009 denscombe martyn mcgraw hill education uk aug 1 2009 education 224 pages the book is written for undergraduate postgraduate and professional

ground rules for social research guidelines for good practice - Mar 21 2022

web mar 7 2023 ground rules for good research a 10 point guide for social researchers september 2002 open university press paperback in english 1 edition 0335206514

ground rules for good research by martyn denscombe open - Jan 19 2022

web oct 13 2010 ground rules for social research by martyn denscombe key issues for education researchers by diana burton steve bartlett dettori 2010 british

ground rules for good research google books - May 23 2022

web ground rules for social research guidelines for good practice author martyn denscombe summary focuses on the key

ideas and practices that underlie good

ground rules for social research guidelines for good - Aug 06 2023

web aug 16 2009 ground rules for social research is a user friendly resource for people doing small scale social research projects it focuses on the key ideas and practices

ground rules for good research google books - Jan 31 2023

web sep 1 2002 martyn denscombe is emeritus professor at de montfort university where he was previously professor of social research in the faculty of business and law he

ground rules for social research guidelines for good - Sep 07 2023

web buy ground rules for social research guidelines for good practice 2 by denscombe isbn 9780335233816 from amazon s book store everyday low prices and free

martyn denscombe emeritus professor of social reserach - Dec 18 2021

ground rules for social research by martyn denscombe - May 03 2023

web ground rules for social research guidelines for good practice 2nd edition authors martyn denscombe published august 2009 pages 224 eisbn 9780335239375

ground rules for social research guidelines for good practice - Dec 30 2022

web this text identifies key ideas and practices that underlie good research and provides clear guidelines to help newcomers and experienced researchers alike to design and conduct

ground rules for good research a 10 point guide for - Jun 04 2023

web ground rules for social research by martyn denscombe key issues for education researchers by diana burton steve bartlett

ground rules for good research a 10 point guide for social - Nov 28 2022

web aug 1 2009 the book is written for undergraduate postgraduate and professional students in the social sciences business studies health studies media studies and education

ground rules for social research by martyn denscombekey - Apr 21 2022

web ground rules for social research guidelines for good practice denscombe martyn denscombe martyn this text identifies key ideas and practices that underlie good

ground rules for social research guidelines for good practice - Apr 02 2023

web jul 1 2002 martyn denscombe mcgraw hill companies incorporated jul 1 2002 education 219 pages amongst the bewildering array of approaches and beliefs about

ebook ground rules for social research martyn - Jul 05 2023

web jul 1 2002 buy ground rules for good research a 10 point guide for social researchers by denscombe martyn isbn 9780335206513 from amazon s book

ground rules for social research guidelines for good - Mar 01 2023

web aug 1 2009 mcgraw hill professional publishing ground rules for social research guidelines for good practice edition 2 by martyn denscombe paperback buy new

ground rules for good research request pdf - Aug 26 2022

web martyn denscombe is professor of social research at de montfort university he graduated in sociology and then qualified as a teacher at the university of london

ground rules for social research by martyn denscombe - Nov 16 2021

ground rules for good research a 10 point guide for social - Oct 28 2022

web request pdf on jan 1 2002 m denscombe published ground rules for good research find read and cite all the research you need on researchgate