

21213

4 Hours / 100 Marks

Seat No.

4	5	9	6	2	8	-	+
---	---	---	---	---	---	---	---

- Instructions :**
- (1) All Questions are *compulsory*.
 - (2) Illustrate your answers with neat sketches wherever necessary.
 - (3) Figures to the right indicate full marks.
 - (4) Assume suitable data, if necessary.
 - (5) Use of Non-Programmable Electronic Pocket Calculator is permissible.
 - (6) Mobile Phone, Pager and any other Electronic Communication devices are not permissible in Examination Hall.
 - (7) Use only H/2H grade pencil.

1. (a) A pictorial view of an object is shown in Fig. 1. Draw following views by using 1st Angle method of projection :
- | | |
|---|---|
| (1) Sectional F.V; section along A – A. | 5 |
| (2) Left hand side view. | 5 |

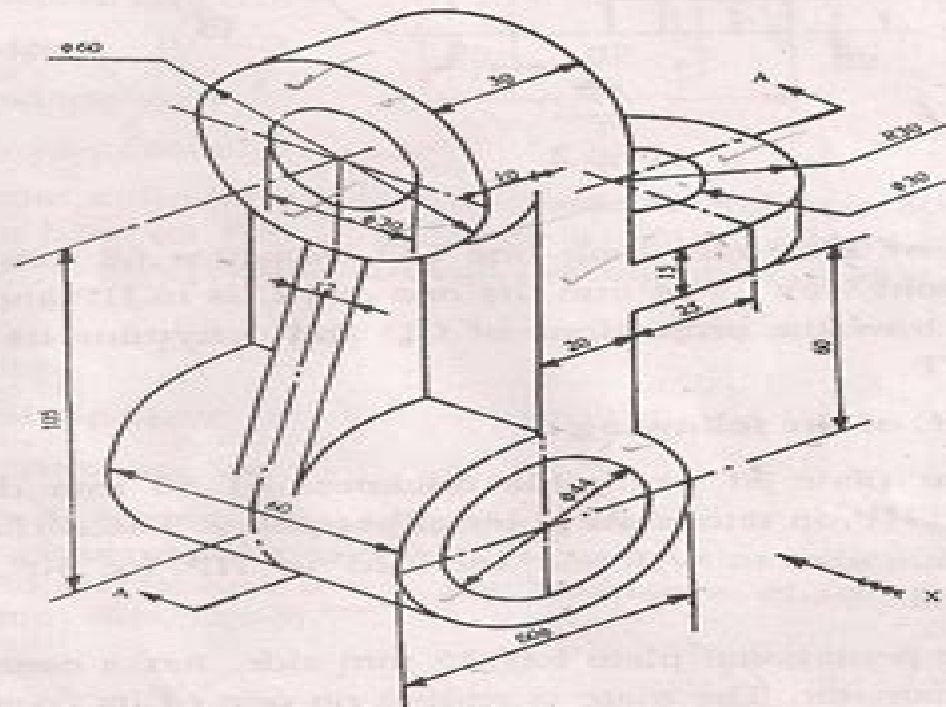


Fig. 1

Technical Drawing Question Papers

JS Bruner



Technical Drawing Question Papers:

Thank you completely much for downloading **Technical Drawing Question Papers**. Most likely you have knowledge that, people have look numerous time for their favorite books afterward this Technical Drawing Question Papers, but stop occurring in harmful downloads.

Rather than enjoying a good book afterward a mug of coffee in the afternoon, on the other hand they juggled subsequent to some harmful virus inside their computer. **Technical Drawing Question Papers** is comprehensible in our digital library an online right of entry to it is set as public fittingly you can download it instantly. Our digital library saves in combination countries, allowing you to get the most less latency epoch to download any of our books in the manner of this one. Merely said, the Technical Drawing Question Papers is universally compatible subsequent to any devices to read.

https://py.bijouxmedusa.com/files/Resources/Documents/entrepreneurs_77_2099_digital_marketing_ideas_united_states_77_269.pdf

Table of Contents Technical Drawing Question Papers

1. Understanding the eBook Technical Drawing Question Papers
 - The Rise of Digital Reading Technical Drawing Question Papers
 - Advantages of eBooks Over Traditional Books
2. Identifying Technical Drawing Question Papers
 - Exploring Different Genres
 - Considering Fiction vs. Non-Fiction
 - Determining Your Reading Goals
3. Choosing the Right eBook Platform
 - Popular eBook Platforms
 - Features to Look for in an Technical Drawing Question Papers
 - User-Friendly Interface
4. Exploring eBook Recommendations from Technical Drawing Question Papers
 - Personalized Recommendations

- Technical Drawing Question Papers User Reviews and Ratings
- Technical Drawing Question Papers and Bestseller Lists
- 5. Accessing Technical Drawing Question Papers Free and Paid eBooks
 - Technical Drawing Question Papers Public Domain eBooks
 - Technical Drawing Question Papers eBook Subscription Services
 - Technical Drawing Question Papers Budget-Friendly Options
- 6. Navigating Technical Drawing Question Papers eBook Formats
 - ePub, PDF, MOBI, and More
 - Technical Drawing Question Papers Compatibility with Devices
 - Technical Drawing Question Papers Enhanced eBook Features
- 7. Enhancing Your Reading Experience
 - Adjustable Fonts and Text Sizes of Technical Drawing Question Papers
 - Highlighting and Note-Taking Technical Drawing Question Papers
 - Interactive Elements Technical Drawing Question Papers
- 8. Staying Engaged with Technical Drawing Question Papers
 - Joining Online Reading Communities
 - Participating in Virtual Book Clubs
 - Following Authors and Publishers Technical Drawing Question Papers
- 9. Balancing eBooks and Physical Books Technical Drawing Question Papers
 - Benefits of a Digital Library
 - Creating a Diverse Reading Collection Technical Drawing Question Papers
- 10. Overcoming Reading Challenges
 - Dealing with Digital Eye Strain
 - Minimizing Distractions
 - Managing Screen Time
- 11. Cultivating a Reading Routine Technical Drawing Question Papers
 - Setting Reading Goals Technical Drawing Question Papers
 - Carving Out Dedicated Reading Time
- 12. Sourcing Reliable Information of Technical Drawing Question Papers
 - Fact-Checking eBook Content of Technical Drawing Question Papers

- Distinguishing Credible Sources
13. Promoting Lifelong Learning
- Utilizing eBooks for Skill Development
 - Exploring Educational eBooks
14. Embracing eBook Trends
- Integration of Multimedia Elements
 - Interactive and Gamified eBooks

Technical Drawing Question Papers Introduction

In this digital age, the convenience of accessing information at our fingertips has become a necessity. Whether its research papers, eBooks, or user manuals, PDF files have become the preferred format for sharing and reading documents. However, the cost associated with purchasing PDF files can sometimes be a barrier for many individuals and organizations. Thankfully, there are numerous websites and platforms that allow users to download free PDF files legally. In this article, we will explore some of the best platforms to download free PDFs. One of the most popular platforms to download free PDF files is Project Gutenberg. This online library offers over 60,000 free eBooks that are in the public domain. From classic literature to historical documents, Project Gutenberg provides a wide range of PDF files that can be downloaded and enjoyed on various devices. The website is user-friendly and allows users to search for specific titles or browse through different categories. Another reliable platform for downloading Technical Drawing Question Papers free PDF files is Open Library. With its vast collection of over 1 million eBooks, Open Library has something for every reader. The website offers a seamless experience by providing options to borrow or download PDF files. Users simply need to create a free account to access this treasure trove of knowledge. Open Library also allows users to contribute by uploading and sharing their own PDF files, making it a collaborative platform for book enthusiasts. For those interested in academic resources, there are websites dedicated to providing free PDFs of research papers and scientific articles. One such website is Academia.edu, which allows researchers and scholars to share their work with a global audience. Users can download PDF files of research papers, theses, and dissertations covering a wide range of subjects. Academia.edu also provides a platform for discussions and networking within the academic community. When it comes to downloading Technical Drawing Question Papers free PDF files of magazines, brochures, and catalogs, Issuu is a popular choice. This digital publishing platform hosts a vast collection of publications from around the world. Users can search for specific titles or explore various categories and genres. Issuu offers a seamless reading experience with its user-friendly interface and allows users to download PDF files for offline reading. Apart from dedicated platforms, search engines also play a crucial role in finding free PDF files. Google, for instance, has an advanced

search feature that allows users to filter results by file type. By specifying the file type as "PDF," users can find websites that offer free PDF downloads on a specific topic. While downloading Technical Drawing Question Papers free PDF files is convenient, it's important to note that copyright laws must be respected. Always ensure that the PDF files you download are legally available for free. Many authors and publishers voluntarily provide free PDF versions of their work, but it's essential to be cautious and verify the authenticity of the source before downloading Technical Drawing Question Papers. In conclusion, the internet offers numerous platforms and websites that allow users to download free PDF files legally. Whether it's classic literature, research papers, or magazines, there is something for everyone. The platforms mentioned in this article, such as Project Gutenberg, Open Library, Academia.edu, and Issuu, provide access to a vast collection of PDF files. However, users should always be cautious and verify the legality of the source before downloading Technical Drawing Question Papers any PDF files. With these platforms, the world of PDF downloads is just a click away.

FAQs About Technical Drawing Question Papers Books

1. Where can I buy Technical Drawing Question Papers books? Bookstores: Physical bookstores like Barnes & Noble, Waterstones, and independent local stores. Online Retailers: Amazon, Book Depository, and various online bookstores offer a wide range of books in physical and digital formats.
2. What are the different book formats available? Hardcover: Sturdy and durable, usually more expensive. Paperback: Cheaper, lighter, and more portable than hardcovers. E-books: Digital books available for e-readers like Kindle or software like Apple Books, Kindle, and Google Play Books.
3. How do I choose a Technical Drawing Question Papers book to read? Genres: Consider the genre you enjoy (fiction, non-fiction, mystery, sci-fi, etc.). Recommendations: Ask friends, join book clubs, or explore online reviews and recommendations. Author: If you like a particular author, you might enjoy more of their work.
4. How do I take care of Technical Drawing Question Papers books? Storage: Keep them away from direct sunlight and in a dry environment. Handling: Avoid folding pages, use bookmarks, and handle them with clean hands. Cleaning: Gently dust the covers and pages occasionally.
5. Can I borrow books without buying them? Public Libraries: Local libraries offer a wide range of books for borrowing. Book Swaps: Community book exchanges or online platforms where people exchange books.
6. How can I track my reading progress or manage my book collection? Book Tracking Apps: Goodreads, LibraryThing, and Book Catalogue are popular apps for tracking your reading progress and managing book collections. Spreadsheets:

You can create your own spreadsheet to track books read, ratings, and other details.

7. What are Technical Drawing Question Papers audiobooks, and where can I find them? Audiobooks: Audio recordings of books, perfect for listening while commuting or multitasking. Platforms: Audible, LibriVox, and Google Play Books offer a wide selection of audiobooks.
8. How do I support authors or the book industry? Buy Books: Purchase books from authors or independent bookstores. Reviews: Leave reviews on platforms like Goodreads or Amazon. Promotion: Share your favorite books on social media or recommend them to friends.
9. Are there book clubs or reading communities I can join? Local Clubs: Check for local book clubs in libraries or community centers. Online Communities: Platforms like Goodreads have virtual book clubs and discussion groups.
10. Can I read Technical Drawing Question Papers books for free? Public Domain Books: Many classic books are available for free as they're in the public domain. Free E-books: Some websites offer free e-books legally, like Project Gutenberg or Open Library.

Find Technical Drawing Question Papers :

~~entrepreneurs 77-2099 digital marketing ideas United States 77-269~~
~~mental wellness trends United States 77-2342 mental wellness trends~~
~~basics apps America 77-2652 machine learning basics apps for small~~
~~routines software for entrepreneurs 77-564 fitness routines software for~~
entrepreneurs 77-658 personal finance software America 77-2840 personal
~~for startups 77-2001 online privacy guide USA 77-1173 online privacy~~
~~computing roadmap for startups 77-4 cloud computing software for small~~
~~blog monetization tutorial United States 77-767 blog monetization~~
~~resume writing for beginners for small business 77-2725 resume writing~~
~~for entrepreneurs 77-916 content marketing tools United States 77-927~~
~~development explained for small business 77-2250 blockchain development~~
~~business explained for small business 77-1883 dropshipping business~~
~~77-2514 crypto trading blueprint for entrepreneurs 77-81 crypto trading~~
~~technology blueprint America 77-2396 wearable technology blueprint for~~
~~strategies for creators 77-1189 AI tools strategies for startups 77-1013~~

Technical Drawing Question Papers :

tee kaffee mord der doppelte monet teil 01 ungekü - Mar 30 2022

web tee kaffee mord der doppelte monet teil 01 ungekü buch zustand gut bücher zeitschriften bücher ebay

tee kaffee mord der doppelte monet teil 01 ungekürzt nathalie - Feb 09 2023

web jul 30 2023 may 31st 2020 tee kaffee mord der doppelte monet teil 01 ungekürzt nathalie ames ermittelt band 1 tee kaffee mord folge 1 von ellen barksdale hörbuch sprecher vera teltz lübbe audio june 3rd 2020 mord der doppelte monet folge 1 von ellen barksdale es gibt nur zwei möglichkeiten entweder ist die reizende alte

tee kaffee mord der doppelte monet nathalie ames ermittelt - May 12 2023

web der doppelte monet ist der erste band der nathalie ames reihe und ausschließlich als e book erschienen nathalie erbt von ihrer bei einem unfall verstorbenen tante ein gut gehendes pub mit café und einer kleinen pension sie beschließt sich eine auszeit im job zu nehmen und dem dorf earlsraven und dem pub black feather eine chance zu

tee kaffee mord der doppelte monet teil 01 ungeku pdf wp - Mar 10 2023

web tee kaffee mord der doppelte monet teil 01 ungeku the enigmatic realm of tee kaffee mord der doppelte monet teil 01 ungeku unleashing the language is inner magic in a fast paced digital era where connections and knowledge intertwine the enigmatic realm of language reveals its inherent magic

tee kaffee mord der doppelte monet teil 01 ungeku 2022 - Sep 04 2022

web tee kaffee mord der doppelte monet teil 01 ungeku 1 tee kaffee mord der doppelte monet teil 01 ungeku tee kaffee mord ein grab für drei taxi tod und teufel toter hering auf drei uhr tee kaffee mord die gestohlene braut tee kaffee mord arsen und käsekuchen tee kaffee mord die letzten worte des ian o shelley

tee kaffee mord der doppelte monet teil 01 ungekü - Oct 05 2022

web tee kaffee mord der doppelte monet teil 01 ungekü buch zustand gut eur 3 09 zu verkaufen geprüfte second hand artikel certified second hand articles Über 4 374511667732

tee kaffee mord der doppelte monet teil 01 ungeku copy - Apr 30 2022

web tee kaffee mord der doppelte monet teil 01 ungeku tee kaffee mord die letzten worte des ian o shelley a particular eye for villainy kloster mord und dolce vita mord im letzten akt closer than you think the cincinnati series book 1 tee kaffee mord der club der giftmischer tee kaffee mord die kleinen leute von pittlewood tee

tee kaffee mord der doppelte monet teil 01 ungekü - Apr 11 2023

web der doppelte monet teil 01 ungekü buch zustand gut geld sparen nachhaltig shoppen eur 3 99 sofort kaufen kostenloser versand ebay käuferschutz

tee kaffee mord der doppelte monet von ellen barksdale - Dec 27 2021

web und während nathalie noch dabei ist mit den skurrilen dorfbewohnern warmzuwerden stellt sie fest der spürsinn liegt in der familiefolge 1 der doppelte monet es gibt nur zwei möglichkeiten entweder ist die reizende alte miss beresford aus earlsraven dement oder bei ihr zu hause geht etwas nicht mit rechten dingen zu

tee kaffee mord der doppelte monet teil 01 ungeku - Feb 26 2022

web tee kaffee mord der besuch der reichen dame tee kaffee mord die gestohlene braut tee kaffee mord der doppelte monet tee kaffee mord der doppelte monet die letzten worte des ian o shelley tee kaffee mord tod eines schneemanns tee kaffee mord die kleinen leute von pittlewood a country escape kloster mord

tee kaffee mord der doppelte monet teil 01 ungeku pdf pdf - Jan 08 2023

web kerry greenwood 2004 in 1928 st kilda s streets hang with fairy lights magic shows tea dances and picnics on the beach are all part of the flower parade and who else should be chosen to be the queen of flowers but the hon phryne fisher but she must confront her problems a missing daughter the return of an old lover and a young woman

tee kaffee mord der doppelte monet teil 01 ungeku copy - Jun 01 2022

web kinder des kriegs gewissen der nation tee kaffee mord der doppelte monet tee kaffee mord der besuch der reichen dame tee kaffee mord drei sterne und ein mord tee kaffee mord zum ersten zum zweiten und tot tee kaffee mord der doppelte monet the old mam selle s secret tee kaffee mord die gestohlene braut

tee kaffee mord der doppelte monet teil 01 ungeku - Nov 06 2022

web tee kaffee mord der doppelte monet tee kaffee mord ein spion kommt selten allein sycamore row the strings of murder kloster mord und dolce vita mord im letzten akt tee kaffee mord drei sterne und ein mord tee kaffee mord die kleinen leute von pittlewood germany tee kaffee mord die gestohlene braut aunt dimity s death

tee kaffee mord 01 der doppelte monet gratis hoerspiele de - Jan 28 2022

web aug 21 2018 um tee kaffee mord 01 der doppelte monet jetzt kostenlos zu hören klicke einfach auf den gratis stream button am ende dieses textes hinweis die hörspiel streams auf meiner seite stammen von den großen streaming portalen spotify youtube music deezer oder amazon music um die zahlreichen hörspiele und

tee kaffee mord der doppelte monet teil 01 ungekürzt - Aug 15 2023

web tee kaffee mord der doppelte monet teil 01 ungekürzt nathalie ames ermittelt band 1 barksdale ellen teltz vera amazon de bücher

ganzes hörbuch tee kaffee mord folge 01 der doppelte monet - Aug 03 2022

web jan 12 2023 das komplette hörbuch tee kaffee mord folge 01 der doppelte monet von ellen barksdale hört ihr hier es liest vera teltz darum gehts davon stand n

tee kaffee mord der doppelte monet teil 01 ungekürzt - Jul 14 2023

web folge 01 der doppelte monet es gibt nur zwei möglichkeiten entweder ist die reizende alte miss beresford aus earlsraven dement oder bei ihr zu hause geht etwas nicht mit rechten dingen zu doch was hat nathalie damit zu tun

tee kaffee mord der doppelte monet teil 01 ungekü - Jul 02 2022

web entdecken sie tee kaffee mord der doppelte monet teil 01 ungekü buch zustand gut in der großen auswahl bei ebay kostenlose lieferung für viele artikel

tee kaffee mord der doppelte monet amazon de - Jun 13 2023

web der doppelte monet ist der erste band der nathalie ames reihe und ausschließlich als e book erschienen nathalie erbt von ihrer bei einem unfall verstorbenen tante ein gut gehendes pub mit café und einer kleinen pension sie beschließt sich eine auszeit im job zu nehmen und dem dorf earlsraven und dem pub black feather eine chance zu

tee kaffee mord der doppelte monet teil 01 ungeku pdf - Dec 07 2022

web ha stefan can t be left for dead like that judith investigates and picks up a crew of sidekicks suzie the dogwalker and becks the vicar s wife together they are the marlow murder club when

among the imposters chapter 1 youtube - Aug 03 2022

web jul 17 2014 among the impostors by margaret peterson haddix chapter 1 this is the second book in the shadow children series and my favorite series by margaret peterso

among the impostors audiobook by margaret peterson haddix - Feb 09 2023

web get among the impostors audiobook by margaret peterson haddix on speechify and enjoy the best listening experience if this is your first book get it for

among the impostors audiobook by margaret peterson haddix - Jun 01 2022

web download or stream among the impostors by margaret peterson haddix john kroft for free on hoopla out of hiding into danger luke garner is an illegal third child all his life has been spent in hi hoopladigital com

among the impostors audible audio edition margaret peterson - Mar 10 2023

web audible release date oct 29 2018 language english publisher

among the impostors by margaret peterson haddix audiobook audible com - Jun 13 2023

web luke garner is an illegal third child all his life has been spent in hiding now for the first time luke is living among others he has assumed a deceased boy s identity and is attending hendricks school for boys a windowless building with cruel classmates and oblivious teachers

among the impostors by margaret peterson haddix audiobook - Nov 06 2022

web among the impostors as it s meant to be heard narrated by john kroft discover the english audiobook at audible free trial available

among the impostors by margaret peterson haddix overdrive - Dec 27 2021

web jan 1 2019 out of hiding into danger luke garner is an illegal third child all his life has been spent in hiding now for the first time luke is living among others he has assumed a deceased boy s identity and is attending hendricks school for boys a

listen free to among the impostors by margaret peterson - Oct 05 2022

web oct 5 2018 listen free to among the impostors audiobook by margaret peterson haddix with a 30 day free trial stream and download audiobooks to your computer tablet and ios and android devices

among the impostors by margaret peterson haddix audiobook - May 12 2023

web listen to among the impostors by margaret peterson haddix with a free trial listen to bestselling audiobooks on the web ipad iphone and android

among the impostors by margaret peterson haddix google play - Jul 02 2022

web among the impostors audiobook written by margaret peterson haddix narrated by john kroft get instant access to all your favorite books no monthly commitment listen online or offline with

among the impostors audiobook written by margaret peterson - Jan 28 2022

web feb 10 2019 out of hiding into danger luke garner is an illegal third child all his life has been spent in hiding now for the first time luke is living among others he has assumed a deceased boy s identity and is attending hendricks school for boys a windowless building with cruel classmates and oblivious teachers luke knows he has to

among the impostors audio download margaret peterson - Apr 11 2023

web among the impostors audible audiobook unabridged margaret peterson haddix author john kroft narrator recorded books publisher 0 more 4 6 4 6 out of 5 stars 1 393 ratings

among the impostors audiobook youtube - Jul 14 2023

web dec 8 2016 share your videos with friends family and the world

among the impostors by margaret peterson haddix audiobook - Dec 07 2022

web among the impostors as it s meant to be heard narrated by john kroft discover the english audiobook at audible free trial available

among the impostors audiobook audiobookstore com - Mar 30 2022

web luke garner is an illegal third child all his life has been spent in hiding now for the first time luke is living among others he has assumed a deceased boy s identity and is attending hendricks school for boys a windowless building with cruel classmates and oblivious teachers

among the impostors haddix margaret peterson archive org - Feb 26 2022

web sep 2 2021 live music archive librivox free audio featured all audio this just in grateful dead netlabels old time radio 78

rpm's and cylinder recordings top audio books poetry computers technology and science music arts culture among the impostors by haddix margaret peterson publication date 2002

[among the impostors haddix margaret peterson archive org](#) - Apr 30 2022

web english sequel to among the hidden in a future where the law limits a family to only two children third born luke has been in hiding for the entire twelve years of his life until he enters boarding school under an assumed name and is

among us imposter sound effect free download youtube - Sep 04 2022

web may 16 2021 download mediafire com file k8dkoga5t7gibrq among us impostor sound effect mp3 file do you own these sound effects music no i do not own these

among the impostors by margaret peterson haddix audiobook - Jan 08 2023

web among the impostors as it s meant to be heard narrated by john kroft discover the english audiobook at audible free trial available sign in browse audiobook categories all categories fiction mystery thriller suspense science fiction

[amazon com among the impostors audible audio edition](#) - Aug 15 2023

web luke garner is an illegal third child all his life has been spent in hiding now for the first time luke is living among others he has assumed a deceased boy s identity and is attending hendricks school for boys a windowless building with cruel classmates and oblivious teachers

queen one vision the best queen tribute band liverpool - May 29 2022

web queen one vision the best queen tribute band liverpool united kingdo we perform all of the queen classics in the original keys with live vocals and guitars played on a genuine replica of brian may s red special for a truly authentic queen tribute experience

von sternem gekrönt one true queen band 1 ungekürzt - Oct 02 2022

web share your videos with friends family and the world

one true queen band 1 von sternem gekrönt amazon com - Oct 14 2023

web sep 1 2019 one true queen von sternem gekrönt ist der auftakt einer fantasy reihe von jennifer benkau die 512 seiten starke geschichte ist als gebundenes buch e book oder hörbuch erhältlich und erschien am 21

one true queen band 1 von sternem gekrönt amazon com - Jan 05 2023

web nov 1 2021 one true queen band 1 von sternem gekrönt benkau jennifer on amazon com free shipping on qualifying offers one true queen band 1 von sternem gekrönt

[one true queen band 1 von sternem gekroent paperback](#) - Sep 13 2023

web one true queen band 1 von sternem gekroent benkau jennifer amazon sg books

[von sternem gekrönt one true queen band 1 ungekürzt](#) - Mar 07 2023

web listen to von sternem gekrönt one true queen band 1 ungekürzt on spotify jennifer benkau audiobook 2019 254 songs
one true queen band 1 von sternem gekrönt epische romantasy von - Jun 10 2023

web one true queen band 1 von sternem gekrönt epische romantasy von spiegel bestsellerautorin jennifer benkau benkau jennifer amazon com au books

one true queen band 1 von sternem gekrönt epische romantasy von - Aug 12 2023

web one true queen band 1 von sternem gekrönt epische romantasy von spiegel bestsellerautorin jennifer benkau one true queen 1 benkau jennifer amazon de books books young adult literature fiction buy new 11 99 prices for items sold by amazon include vat depending on your delivery address vat may vary at checkout

you are the one singaporean tv series wikipedia - Jul 31 2022

web 14 february 2005 02 14 18 march 2005 2005 03 18 you are the one ½ □□ is a 25 episode singaporean chinese drama series aired on mediacorp tv channel 8 the show stars hong kong actress adia chan chew chor meng jacelyn tay christopher lee rui en terence cao and richard low

kapitel 230 von sternem gekrönt one true queen band 1 - Nov 03 2022

web provided to youtube by zebralution gmbhkapitel 230 von sternem gekrönt one true queen band 1 jennifer benkau von sternem gekrönt one true queen band

von sternem gekrönt one true queen band 1 ungekürzt - Feb 23 2022

web listen to von sternem gekrönt one true queen band 1 ungekürzt on spotify jennifer benkau audiobook 2019 297 songs
one true singer tv series 2022 imdb - Jun 29 2022

web all topics one true singer tv series 2022 imdb rating 7 1 10 170 your rating rate reality tv one true singer is the musical show which promises to launch the next big singer in romania it s the show that takes you behind the scenes of the music industry and reveals what it takes to reach the top

von sternem gekrönt one true queen band 1 overdrive - Apr 08 2023

web sep 1 2019 von sternem gekrönt one true queen band 1 by jennifer benkau overdrive ebooks audiobooks and more for libraries and schools audiobook unabridged by jennifer benkau find this title in libby the library reading app by overdrive search by city zip code or library name learn more about precise location

one true queen band 1 von sternem gekront german - Mar 27 2022

web one true queen band 1 von sternem gekront german 9783473401796 books amazon ca
one true queen band 1 von sternem gekrönt epische romantasy von - Jul 11 2023

web buy one true queen band 1 von sternem gekrönt epische romantasy von spiegel bestsellerautorin jennifer benkau by benkau jennifer isbn 9783473401796 from amazon s book store everyday low prices and free delivery on eligible orders

the one singer wikipedia - Sep 01 2022

web mccune reischauer chŏng sunwŏn jeong soon won korean 김준원 born march 26 1974 better known by his stage name the one korean 김준원 is a south korean singer and vocal coach 2 he debuted in 1997 as a member the group space a and released his first solo album in 2002 he has released a total of five albums in korean and

one true queen band 1 von sternen gekrönt was liest du - Dec 04 2022

web one true queen von sternen gekrönt ist der erste band der fantasy reihe von jennifer benkau die 17 jährige mailin lebt mit ihrer mutter und ihrer schwester in irland ihre schwester liegt seit 7 jahren in einem wachkoma

one true queen band 1 von sternen gekrönt epische romantasy von - Feb 06 2023

web sep 11 2022 read one true queen band 1 von sternen gekrönt epische romantasy von spiegel bestsellerautorin jennifer benkau by jennifer benkau available from rakuten kobo in dieser welt sterben königinnen jung dunkelheit das gefühl zu fallen und dann nichts eben noch stand mailin in i

one true queen band 1 von sternen gekront german hardcover - Apr 27 2022

web hello sign in account lists returns orders cart

one true queen band 1 von sternen gekrönt paperback - May 09 2023

web buy one true queen band 1 von sternen gekrönt by benkau jennifer isbn 9783473585991 from amazon s book store everyday low prices and free delivery on eligible orders