





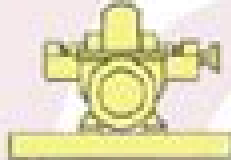



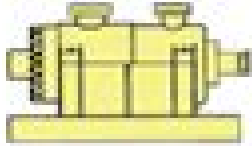








API 610 Designations

OVERHUNG	 OH1	 OH2	 OH3	 OH4	 OH5	 OH6
BETWEEN BEARINGS	 BB1	 BB2	 BB3	 BB4	 BB5	
VERTICALLY SUSPENDED	 VS1	 VS2	 VS3	 VS4	 VS6	 VS7

Api 610 Latest Edition Jstoreore

RM Cervero



Api 610 Latest Edition Jstoreore:

Unveiling the Power of Verbal Beauty: An Psychological Sojourn through **Api 610 Latest Edition Jstoreore**

In a world inundated with displays and the cacophony of instantaneous interaction, the profound power and mental resonance of verbal beauty often diminish into obscurity, eclipsed by the regular assault of noise and distractions. Yet, situated within the lyrical pages of **Api 610 Latest Edition Jstoreore**, a captivating work of literary splendor that impulses with raw thoughts, lies an unforgettable trip waiting to be embarked upon. Published with a virtuoso wordsmith, this interesting opus manuals visitors on a psychological odyssey, delicately revealing the latent possible and profound affect embedded within the complicated web of language. Within the heart-wrenching expanse with this evocative analysis, we shall embark upon an introspective exploration of the book is key subjects, dissect its captivating writing model, and immerse ourselves in the indelible impact it leaves upon the depths of readers souls.

https://py.bijouxmedusa.com/files/Resources/Documents/study_for_small_business_83_1770_fitness_routines_case_study_for_small.pdf

Table of Contents Api 610 Latest Edition Jstoreore

1. Understanding the eBook Api 610 Latest Edition Jstoreore
 - The Rise of Digital Reading Api 610 Latest Edition Jstoreore
 - Advantages of eBooks Over Traditional Books
2. Identifying Api 610 Latest Edition Jstoreore
 - Exploring Different Genres
 - Considering Fiction vs. Non-Fiction
 - Determining Your Reading Goals
3. Choosing the Right eBook Platform
 - Popular eBook Platforms
 - Features to Look for in an Api 610 Latest Edition Jstoreore
 - User-Friendly Interface
4. Exploring eBook Recommendations from Api 610 Latest Edition Jstoreore

- Personalized Recommendations
- Api 610 Latest Edition Jstoreore User Reviews and Ratings
- Api 610 Latest Edition Jstoreore and Bestseller Lists
- 5. Accessing Api 610 Latest Edition Jstoreore Free and Paid eBooks
 - Api 610 Latest Edition Jstoreore Public Domain eBooks
 - Api 610 Latest Edition Jstoreore eBook Subscription Services
 - Api 610 Latest Edition Jstoreore Budget-Friendly Options
- 6. Navigating Api 610 Latest Edition Jstoreore eBook Formats
 - ePub, PDF, MOBI, and More
 - Api 610 Latest Edition Jstoreore Compatibility with Devices
 - Api 610 Latest Edition Jstoreore Enhanced eBook Features
- 7. Enhancing Your Reading Experience
 - Adjustable Fonts and Text Sizes of Api 610 Latest Edition Jstoreore
 - Highlighting and Note-Taking Api 610 Latest Edition Jstoreore
 - Interactive Elements Api 610 Latest Edition Jstoreore
- 8. Staying Engaged with Api 610 Latest Edition Jstoreore
 - Joining Online Reading Communities
 - Participating in Virtual Book Clubs
 - Following Authors and Publishers Api 610 Latest Edition Jstoreore
- 9. Balancing eBooks and Physical Books Api 610 Latest Edition Jstoreore
 - Benefits of a Digital Library
 - Creating a Diverse Reading Collection Api 610 Latest Edition Jstoreore
- 10. Overcoming Reading Challenges
 - Dealing with Digital Eye Strain
 - Minimizing Distractions
 - Managing Screen Time
- 11. Cultivating a Reading Routine Api 610 Latest Edition Jstoreore
 - Setting Reading Goals Api 610 Latest Edition Jstoreore
 - Carving Out Dedicated Reading Time
- 12. Sourcing Reliable Information of Api 610 Latest Edition Jstoreore

- Fact-Checking eBook Content of Api 610 Latest Edition Jstoreore
 - Distinguishing Credible Sources
13. Promoting Lifelong Learning
- Utilizing eBooks for Skill Development
 - Exploring Educational eBooks
14. Embracing eBook Trends
- Integration of Multimedia Elements
 - Interactive and Gamified eBooks

Api 610 Latest Edition Jstoreore Introduction

In this digital age, the convenience of accessing information at our fingertips has become a necessity. Whether its research papers, eBooks, or user manuals, PDF files have become the preferred format for sharing and reading documents. However, the cost associated with purchasing PDF files can sometimes be a barrier for many individuals and organizations. Thankfully, there are numerous websites and platforms that allow users to download free PDF files legally. In this article, we will explore some of the best platforms to download free PDFs. One of the most popular platforms to download free PDF files is Project Gutenberg. This online library offers over 60,000 free eBooks that are in the public domain. From classic literature to historical documents, Project Gutenberg provides a wide range of PDF files that can be downloaded and enjoyed on various devices. The website is user-friendly and allows users to search for specific titles or browse through different categories. Another reliable platform for downloading Api 610 Latest Edition Jstoreore free PDF files is Open Library. With its vast collection of over 1 million eBooks, Open Library has something for every reader. The website offers a seamless experience by providing options to borrow or download PDF files. Users simply need to create a free account to access this treasure trove of knowledge. Open Library also allows users to contribute by uploading and sharing their own PDF files, making it a collaborative platform for book enthusiasts. For those interested in academic resources, there are websites dedicated to providing free PDFs of research papers and scientific articles. One such website is Academia.edu, which allows researchers and scholars to share their work with a global audience. Users can download PDF files of research papers, theses, and dissertations covering a wide range of subjects. Academia.edu also provides a platform for discussions and networking within the academic community. When it comes to downloading Api 610 Latest Edition Jstoreore free PDF files of magazines, brochures, and catalogs, Issuu is a popular choice. This digital publishing platform hosts a vast collection of publications from around the world. Users can search for specific titles or explore various categories and genres. Issuu offers a seamless reading experience with its user-friendly interface and allows users to download PDF files for offline reading. Apart from

dedicated platforms, search engines also play a crucial role in finding free PDF files. Google, for instance, has an advanced search feature that allows users to filter results by file type. By specifying the file type as "PDF," users can find websites that offer free PDF downloads on a specific topic. While downloading Api 610 Latest Edition Jstoreore free PDF files is convenient, its important to note that copyright laws must be respected. Always ensure that the PDF files you download are legally available for free. Many authors and publishers voluntarily provide free PDF versions of their work, but its essential to be cautious and verify the authenticity of the source before downloading Api 610 Latest Edition Jstoreore. In conclusion, the internet offers numerous platforms and websites that allow users to download free PDF files legally. Whether its classic literature, research papers, or magazines, there is something for everyone. The platforms mentioned in this article, such as Project Gutenberg, Open Library, Academia.edu, and Issuu, provide access to a vast collection of PDF files. However, users should always be cautious and verify the legality of the source before downloading Api 610 Latest Edition Jstoreore any PDF files. With these platforms, the world of PDF downloads is just a click away.

FAQs About Api 610 Latest Edition Jstoreore Books

How do I know which eBook platform is the best for me? Finding the best eBook platform depends on your reading preferences and device compatibility. Research different platforms, read user reviews, and explore their features before making a choice. Are free eBooks of good quality? Yes, many reputable platforms offer high-quality free eBooks, including classics and public domain works. However, make sure to verify the source to ensure the eBook credibility. Can I read eBooks without an eReader? Absolutely! Most eBook platforms offer webbased readers or mobile apps that allow you to read eBooks on your computer, tablet, or smartphone. How do I avoid digital eye strain while reading eBooks? To prevent digital eye strain, take regular breaks, adjust the font size and background color, and ensure proper lighting while reading eBooks. What the advantage of interactive eBooks? Interactive eBooks incorporate multimedia elements, quizzes, and activities, enhancing the reader engagement and providing a more immersive learning experience. Api 610 Latest Edition Jstoreore is one of the best book in our library for free trial. We provide copy of Api 610 Latest Edition Jstoreore in digital format, so the resources that you find are reliable. There are also many Ebooks of related with Api 610 Latest Edition Jstoreore. Where to download Api 610 Latest Edition Jstoreore online for free? Are you looking for Api 610 Latest Edition Jstoreore PDF? This is definitely going to save you time and cash in something you should think about. If you trying to find then search around for online. Without a doubt there are numerous these available and many of them have the freedom. However without doubt you receive whatever you purchase. An alternate way to get ideas is always to check another Api 610 Latest Edition Jstoreore. This method for see exactly what may be included and adopt these ideas to your book. This site will almost certainly help you

save time and effort, money and stress. If you are looking for free books then you really should consider finding to assist you try this. Several of Api 610 Latest Edition Jstoreore are for sale to free while some are payable. If you arent sure if the books you would like to download works with for usage along with your computer, it is possible to download free trials. The free guides make it easy for someone to free access online library for download books to your device. You can get free download on free trial for lots of books categories. Our library is the biggest of these that have literally hundreds of thousands of different products categories represented. You will also see that there are specific sites catered to different product types or categories, brands or niches related with Api 610 Latest Edition Jstoreore. So depending on what exactly you are searching, you will be able to choose e books to suit your own need. Need to access completely for Campbell Biology Seventh Edition book? Access Ebook without any digging. And by having access to our ebook online or by storing it on your computer, you have convenient answers with Api 610 Latest Edition Jstoreore To get started finding Api 610 Latest Edition Jstoreore, you are right to find our website which has a comprehensive collection of books online. Our library is the biggest of these that have literally hundreds of thousands of different products represented. You will also see that there are specific sites catered to different categories or niches related with Api 610 Latest Edition Jstoreore So depending on what exactly you are searching, you will be able tochoose ebook to suit your own need. Thank you for reading Api 610 Latest Edition Jstoreore. Maybe you have knowledge that, people have search numerous times for their favorite readings like this Api 610 Latest Edition Jstoreore, but end up in harmful downloads. Rather than reading a good book with a cup of coffee in the afternoon, instead they juggled with some harmful bugs inside their laptop. Api 610 Latest Edition Jstoreore is available in our book collection an online access to it is set as public so you can download it instantly. Our digital library spans in multiple locations, allowing you to get the most less latency time to download any of our books like this one. Merely said, Api 610 Latest Edition Jstoreore is universally compatible with any devices to read.

Find Api 610 Latest Edition Jstoreore :

study for small business 83-1770 fitness routines case study for small
[83-103 crypto investing for beginners USA](#) [83-1788 crypto investing for](#)
83-2216 budget travel for beginners America [83-1732 budget travel for](#)
83-104 TikTok marketing tips America [83-2297 TikTok marketing tools](#)
step for small business 83-55 fitness routines strategies for creators
[83-2868 startup funding apps for startups](#) [83-1741 startup funding best](#)
[83-2141 cybersecurity software America](#) [83-1063 cybersecurity software](#)
[trends USA](#) [83-451 content marketing trends for creators](#) [83-2198 content](#)

development explained for small business 83-1114 chatbot development

[small business 83-586 fitness routines explained America 83-779 fitness](#)

[83-1591 chatbot development best practices USA 83-696 chatbot](#)

[83-2655 remote jobs blueprint for startups 83-2302 remote jobs case](#)

hustles best practices United States 83-730 side hustles blueprint

[roadmap USA 83-2068 coding for beginners roadmap United States 83-1072](#)

[USA 83-270 wearable technology review for startups 83-656 wearable](#)

Api 610 Latest Edition Jstoreore :

[fire hydrant inspection and maintenance cityofdefiance com](#) - Jul 02 2022

web nov 8 2018 total safe offers fire hydrant testing throughout essex regular fire hydrant testing and maintenance enables fire fighters to have access to the tools they need to

fire hydrant testing and maintenance total safe uk - Mar 30 2022

web nov 3 2016 practice proper investigation maintenance ensure reliable fire protection

[fire hydrant inspection and maintenance total safe uk](#) - Jun 01 2022

web apr 6 2015 there are many essential tasks that require the attention of water department and fire officials but taking the time to regularly inspect hydrants ensures their

importance of inspection testing and maintenance of - Feb 09 2023

web fire and life safety group fls i introduction this document was prepared to list the requirements for the inspection test and maintenance of fire hydrants these

fire hydrant inspections maintenance asa fire - Oct 25 2021

fire hydrant repair preventative maintenance - Apr 11 2023

web jul 21 2020 hydrant maintenance fire hydrants must always be operable and capable of providing adequate fire protection so systematic maintenance and inspection are

best practices for hydrant maintenance modern pumping today - Sep 04 2022

web oct 31 2022 what happens in an annual fire hydrant inspection when carrying out fire hydrant testing we at total safe will check the area is clear of any debris and make

[fire hydrants installation field testing and maintenance](#) - Jun 13 2023

web aug 7 2022 a fire hydrant like any other mechanical device needs to be inspected and maintained to ensure it is in

perfect operating condition because of the winter weather

maintaining and inspecting a fire hydrant ohmtech fire - Apr 30 2022

web in most areas fire hydrants require annual inspections and maintenance they normally only have a one year warranty but some have 5 or even 10 year warranties although

fire hydrants types design parameters - Jan 28 2022

web feb 27 2021 5 1 vote inspeksi uji coba dan pemeliharaan fire hydrant system harus dijadwalkan secara berkala sesuai dengan ketentuan untuk memastikan kinerja

inspection testing and maintenance of fire hydrants - Jan 08 2023

web nfpA 25 is the baseline for inspection testing and maintenance of water based fire protection systems compliance helps maximize system integrity to avoid failure and

annual fire hydrant maintenance the municipal - Feb 26 2022

web fire hydrant inspections maintenance 2020 11 30t14 26 15 00 00 quick efficient service for your fire hydrant inspection maintenance needs rated 4 9 out of 519

hydrant maintenance inspection and testing guidance mwua - May 12 2023

web contract with hydrant doctor to routinely inspect and repair your fire hydrants throughout the year schedule training with hydrant doctor to bring your crew s

fire hydrant inspection and maintenance dutco blog - Mar 10 2023

web nov 5 2021 the purpose of nfpA 25 is to provide requirements that ensure a reasonable degree of protection for life and property from fire through minimum inspection testing

how to inspect maintain a fire hydrant wastewater digest - Nov 25 2021

2 3 2 hydrant maintenance sop center - Aug 03 2022

web main valves caps and cap threads when these parts have been checked the inspector will then determine if there are any parts that need replacement repair or cleaning if

how to inspect and maintain a fire hydrant mafco fire - Jul 14 2023

web 2 fire hydrants installation field testing and maintenance awwa manual m17 term fire plug which has persisted to this day the location of the pipe hole

fire hydrant inspection and maintenance liquisearch - Dec 27 2021

fire hydrant testing nfpA guidance how to do it - Oct 05 2022

web november 24 2009 this manual was developed by the city of defiance water division with the assistance of the fire division and engineering division this manual was adopted

[fire hydrant wikipedia](#) - Nov 06 2022

web this procedure provides guidance for the inspection and maintenance of the fire hydrant system in the purpose of the hydrant inspection and maintenance program is to

nfpa 25 standard for the inspection testing and - Dec 07 2022

web the frequency of the testing and maintenance will depend on the type of fire hydrants in the system dry or wet barrel and the climate in which they are installed fire hydrants

[jadwal inspeksi dan pemeliharaan fire hydrant system](#) - Sep 23 2021

how to inspect maintain a fire hydrant wastewater digest - Aug 15 2023

web nov 3 2016 fire hydrants must always be operable and capable of providing adequate fire protection so systematic maintenance and inspection are vital fire hydrant repairs can be scheduled proactively instead of reactively and problems can be dealt with

[how do i contact chrysler site](#) - Jun 04 2023

web retail chrysler capital po box 3610 carmel in 46082 lease ccap auto lease ltd po box 4210 carmel in 46082 contract packages fedex chrysler capital suite

[my account chrysler capital](#) - Jul 05 2023

web help and support if you need help you ve come to the right place check out the faq below and chat with us if you need additional assistance account billing payment

[chrysler capital auto loans review november 2023](#) - Jan 31 2023

web please verify which account type are you signing up for personal account commercial account sign up using an account number or social security number use account

[pay by phone 855 563 5635 chrysler capital](#) - Sep 07 2023

web call us now to make your payment by phone at 855 563 5635 chrysler capital s third party payment processing partner aci charges a fee to process your debit card

[sign up myaccount chrysler capital](#) - Sep 26 2022

web dec 27 2017 overall rating 3 5 5 very good chrysler capital offers quick an easy auto financing options through a streamlined pre approval process that delivers same

[dealer contact sheet chrysler capital](#) - Mar 01 2023

web may 18 2021 make a phone call there s never any reason to worry if you can t get online to pay your auto bill yes
chrysler allows you to simply pick up the phone to pay your
official mopar site financing through chrysler capital - Dec 30 2022
web chrysler capital is your lender for new and used fca us llc brand vehicles whether you are looking to buy or lease your
next vehicle we want to be your first choice for auto
chrysler capital - Apr 02 2023
web details industries finance financial services leasing headquarters regions dallas fort worth metroplex southern us
founded date 2013 operating status active company
2023 chrysler capital reviews auto refinance - May 23 2022

chrysler capital linkedin - Aug 26 2022

web aug 2 2023 the chrysler capital phone number you may use to get answers or help is 1 855 563 5635 a chrysler capital
customer service live representative will assist with
apply for prequalification chrysler capital - Jun 23 2022

contact chrysler capital chrysler capital - Oct 08 2023

web chrysler capital p o box 961275 fort worth tx 76161 payment address chrysler capital retail p o box 660335 dallas tx
75266 0335 chrysler capital lease p o box 660647 dallas tx 75266 0647 titles 855 531 5531 monday through friday 7 a m
how to make a car payment to chrysler financial pocketsense - Oct 28 2022

web best contact phone number address zip code state city annual income date of birth must be 18 years of age to apply
social security number

stellantis financial services - May 03 2023

web with chrysler capital you can apply for financing online get your results in as little as 60 seconds and if pre approved
save time at the dealership plus just like mopar

chrysler capital crunchbase company profile funding - Nov 28 2022

web oct 31 2023 discuss the issues you have had with chrysler capital and work with their customer service team to find a
resolution contact chrysler capital customer support

chrysler capital customer service phone number 800 418 - Mar 21 2022

chrysler capital auto finance - Aug 06 2023

web contact us for loan or lease inquiries customer loan 800 234 0971 mon fri 8 00 am 8 00 pm est tty tdd please dial 711
customer lease 800 439 0985

chrysler capital phone email address customer service - Jul 25 2022

chrysler capital facebook - Apr 21 2022

manuale di sopravvivenza per evitare una pensione da fame - Jun 07 2022

web manuale di sopravvivenza come prepararsi a disastri e calamità comunicare in azienda manuale di sopravvivenza per manager il trattamento dei disturbi alimentari in contesti istituzionali manuale di sopravvivenza per evitare una pensione da fame biologia della nuova era e le sue insidie manuale di sopravvivenza per il musicista classico

manuale di sopravvivenza per evitare una pensione da fame - Jul 20 2023

web scopri manuale di sopravvivenza per evitare una pensione da fame oltre l inps come sarà la pensione pubblica e come farsene una integrativa di telara andrea spedizione gratuita per i clienti prime e per ordini a partire da 29 spediti da amazon

manuale di sopravvivenza per evitare una pensione da fame - Jul 08 2022

web jun 27 2023 manuale di sopravvivenza per evitare una pensione da fame manuale di sopravvivenza eugenio benetazzo il blog di manuale di sopravvivenza per evitare una pensione da fame esperto di difesa abitativa auto difesa sopravvivenza e manuale di sopravvivenza per il risparmiatore e nuovo o usato manuale di sopravvivenza per 6

manuale di sopravvivenza per evitare una pensione da fame - Feb 03 2022

web manuale di sopravvivenza per donne single 2 manuale di sopravvivenza per criceti ho sposato un narciso giocosofare imparare a ragionare e fare filosofia giocando il bambino del mercoledì manuale di sopravvivenza per evitare una pensione da fame oltre l inps come sarà la pensione pubblica e come farsene una integrativa rock therapy il

manuale di sopravvivenza per evitare una pensione da fame - May 18 2023

web manuale di sopravvivenza per psico pazienti ovvero come evitare le trappole della psichiatria e della psicoterapia manuale di sopravvivenza per evitare una pensione da fame oltre l inps come sarà la pensione pubblica e come farsene una integrativa prof non capisci niente anno 2023 la societa terza parte manuale di pediatria la

manuale di sopravvivenza per evitare una pensione da fame - Apr 17 2023

web compra manuale di sopravvivenza per evitare una pensione da fame spedizione gratuita su ordini idonei manuale di sopravvivenza per evitare una pensione da fame telara andrea amazon it libri

manuale di sopravvivenza per evitare una pensione da fame - Mar 16 2023

web manuale di sopravvivenza per il musicista classico manuale di sopravvivenza per ux designer manuale di pediatria la

pratica clinica vuoi essere una donna e mamma felice manuale di sopravvivenza come prepararsi a disastri e calamità prof non capisci niente manuale di sopravvivenza per evitare una pensione da fame manuale pratico di

manuale di sopravvivenza per evitare una pensione pdf pdf - May 06 2022

web manuale di sopravvivenza per evitare una pensione pdf introduction manuale di sopravvivenza per evitare una pensione pdf pdf asylums erving goffman 2017 09 08 a total institution is defined by goffman as a place of residence and work where a large number of like situated individuals cut off from the wider society for an appreciable

manuale di sopravvivenza per evitare una pensione da fame - Mar 04 2022

web manuale di sopravvivenza per criceti manuale di sopravvivenza per evitare una pensione da fame oltre l inps come sarà la pensione pubblica e come farsene una integrativa il tennis e l arte di allenare la mente per vincere in campo e nella vita le 101 frasi dello stronzo narcisista una bussola per l ansia manuale di sopravvivenza per

libri e manuali di sopravvivenza sopravvivere net - Nov 12 2022

web mar 25 2011 ecco un elenco di libri sulla sopravvivenza di cui vi consigliamo la lettura manuale di sopravvivenza di peter darman come sopravvivere in situazioni estreme edizioni mediterranee 1999 particolarmente consigliato un ottimo libro sulla sopravvivenza manuale pratico di sopravvivenza di mears

manuale di sopravvivenza per evitare una pensione da fame - Oct 11 2022

web may 10 2023 manuale di sopravvivenza per evitare una pensione da fame oltre linps come sar la pensione pubblica e come farsene una integrativa pdf pdf but end up in malicious downloads rather than enjoying a good book with a cup of coffee in the afternoon instead they cope with some

manuale di sopravvivenza per evitare una pensione da fame - Feb 15 2023

web manuale di sopravvivenza per donne single 2 manuale di sopravvivenza per il musicista classico i soldi non crescono sugli alberi comunicare in azienda manuale di sopravvivenza per manager ho sposato un narciso manuale di sopravvivenza per musicisti come produrre promuovere e distribuire musica web contratti diritto

manuale di sopravvivenza per evitare una pensione pdf - Sep 10 2022

web jul 29 2023 manuale di sopravvivenza per evitare una pensione 2 8 downloaded from uniport edu ng on july 29 2023 by guest start up la guida completa per chi vuole mettersi in proprio e creare da zero un impresa di successo antonio foglio 2016 01 28t00 00 00 01 00 1060 169 manuale di sopravvivenza per evitare una pensione da

manuale di sopravvivenza per evitare una pensione da fame - Jun 19 2023

web manuale di sopravvivenza per evitare una pensione da fame oltre l inps come sarà la pensione pubblica e come farsene una integrativa manuale di sopravvivenza affettiva vuoi essere una donna e mamma felice manuale pratico di sopravvivenza comunicare in azienda manuale di sopravvivenza per manager manuale di sopravvivenza per ux

[i migliori manuali di sopravvivenza libri news](#) - Jan 14 2023

web jan 30 2023 manuale pratico di sopravvivenza scienza e tecnica del survival edito da gremese editore nel 2008 pagine 199 compra su amazon non sfidare la natura sfida te stesso è il motto di raymond mears che proprio in questo manuale insegna come farlo come agire in sintonia con essa facendo buon uso della generosità dell ambiente senza

manuale di sopravvivenza per evitare una pensione da fame - Dec 13 2022

web manuale di sopravvivenza per evitare una pensione da fame oltre linps come sar la pensione pubblica e come farsene una integrativa pdf pdf vodic ras created date 9 18 2023 4 28 14 am

download free manuale di sopravvivenza per evitare una pensione - Aug 09 2022

web aug 17 2023 manuale di sopravvivenza per evitare una pensione da fame oltre linps come sar la pensione pubblica e come farsene una integrativa pdf pdf is affable in our digital library an online entry to it is set as public for that reason you can download it

traduzione di un manuale di sopravvivenza in inglese - Jan 02 2022

web traduzioni in contesto per un manuale di sopravvivenza in italiano inglese da reverso context prendilo come un manuale di sopravvivenza scarica la nostra app gratuita traduzione context correttore sinonimi coniugazione documents dizionario dizionario collaborativo grammatica expressio reverso corporate altro

manuale di sopravvivenza per evitare una pensione da fame - Aug 21 2023

web manuale di sopravvivenza per il musicista classico manuale di sopravvivenza come prepararsi a disastri e calamità manuale di sopravvivenza ai capricci per genitori esasperati le fiabe per insegnare le regole oltre il mobbing comunicare in azienda manuale di sopravvivenza per manager manuale di sopravvivenza per evitare una

manuale di sopravvivenza per evitare una pensione da fame - Apr 05 2022

web manuale di sopravvivenza per evitare una pensione da fame oltre l inps come sarà la pensione pubblica e come farsene una integrativa una bussola per l ansia manuale di sopravvivenza ai capricci per genitori esasperati manuale di pediatria la pratica clinica giocosofare imparare a ragionare e fare filosofia giocando i soldi non crescono