

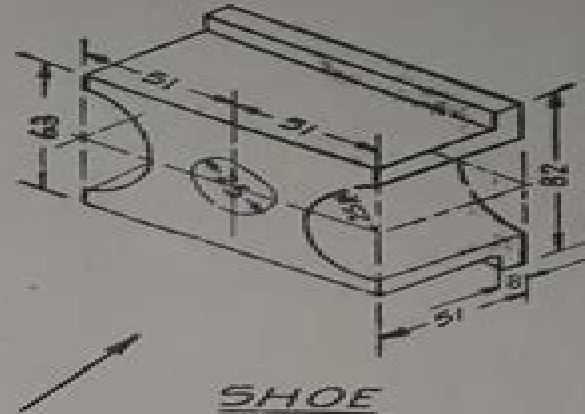
Time: 3 Hours

MM: 50

Note: Attempt all the questions. Assume any missing dimensions suitably.

Q1. a) Draw the following views of given object.

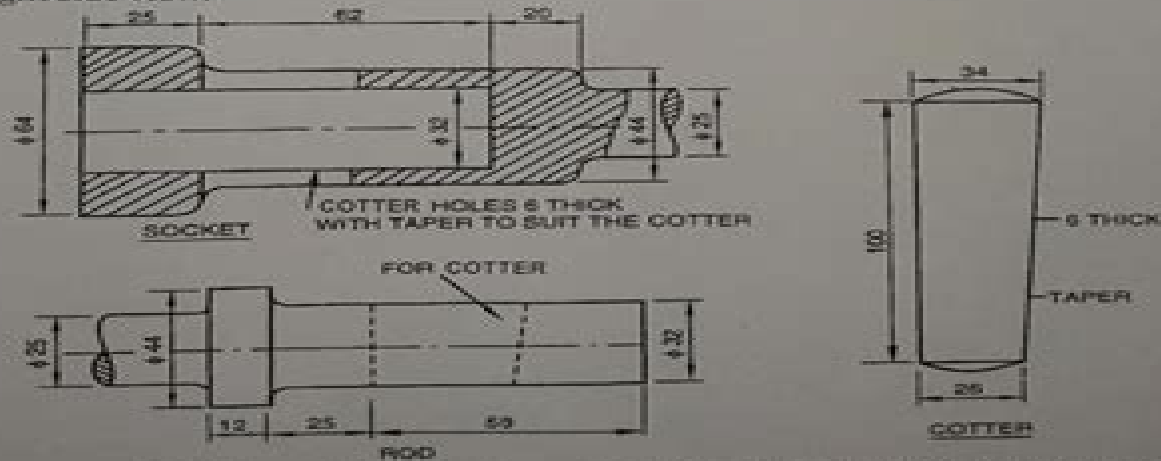
- i) Front view [6]
- ii) Right side view [5]
- iii) Top view [4]



Q1. b) A point P is 50 mm from both the reference planes. Draw its projections in all possible positions. [5]

Q2. Details of spigot and socket joint are given. Assemble the parts and draw following orthographic views:

- i) Front view upper half in section [12]
- ii) Right side view [8]



Q3. Draw front view (full in section), top view and right side view of two plates fastened with hexagonal nut-bolt, locknut and washer. Take the bolt diameter as 24 mm. [4+3+3]

# Books Engineering Graphics Notes 1st Year

**Lawrence E. Kundis**



**Books Engineering Graphics Notes 1st Year :**

Fuel your quest for knowledge with Authored by is thought-provoking masterpiece, **Books Engineering Graphics Notes 1st Year** . This educational ebook, conveniently sized in PDF ( PDF Size: \*), is a gateway to personal growth and intellectual stimulation. Immerse yourself in the enriching content curated to cater to every eager mind. Download now and embark on a learning journey that promises to expand your horizons. .

<https://py.bijouxmedusa.com/About/browse/HomePages/for%20entrepreneurs%2057%20249%20ecommerce%20trends%20strategies%20united%20states.pdf>

## **Table of Contents Books Engineering Graphics Notes 1st Year**

1. Understanding the eBook Books Engineering Graphics Notes 1st Year
  - The Rise of Digital Reading Books Engineering Graphics Notes 1st Year
  - Advantages of eBooks Over Traditional Books
2. Identifying Books Engineering Graphics Notes 1st Year
  - Exploring Different Genres
  - Considering Fiction vs. Non-Fiction
  - Determining Your Reading Goals
3. Choosing the Right eBook Platform
  - Popular eBook Platforms
  - Features to Look for in an Books Engineering Graphics Notes 1st Year
  - User-Friendly Interface
4. Exploring eBook Recommendations from Books Engineering Graphics Notes 1st Year
  - Personalized Recommendations
  - Books Engineering Graphics Notes 1st Year User Reviews and Ratings
  - Books Engineering Graphics Notes 1st Year and Bestseller Lists
5. Accessing Books Engineering Graphics Notes 1st Year Free and Paid eBooks
  - Books Engineering Graphics Notes 1st Year Public Domain eBooks
  - Books Engineering Graphics Notes 1st Year eBook Subscription Services

- Books Engineering Graphics Notes 1st Year Budget-Friendly Options
- 6. Navigating Books Engineering Graphics Notes 1st Year eBook Formats
  - ePub, PDF, MOBI, and More
  - Books Engineering Graphics Notes 1st Year Compatibility with Devices
  - Books Engineering Graphics Notes 1st Year Enhanced eBook Features
- 7. Enhancing Your Reading Experience
  - Adjustable Fonts and Text Sizes of Books Engineering Graphics Notes 1st Year
  - Highlighting and Note-Taking Books Engineering Graphics Notes 1st Year
  - Interactive Elements Books Engineering Graphics Notes 1st Year
- 8. Staying Engaged with Books Engineering Graphics Notes 1st Year
  - Joining Online Reading Communities
  - Participating in Virtual Book Clubs
  - Following Authors and Publishers Books Engineering Graphics Notes 1st Year
- 9. Balancing eBooks and Physical Books Books Engineering Graphics Notes 1st Year
  - Benefits of a Digital Library
  - Creating a Diverse Reading Collection Books Engineering Graphics Notes 1st Year
- 10. Overcoming Reading Challenges
  - Dealing with Digital Eye Strain
  - Minimizing Distractions
  - Managing Screen Time
- 11. Cultivating a Reading Routine Books Engineering Graphics Notes 1st Year
  - Setting Reading Goals Books Engineering Graphics Notes 1st Year
  - Carving Out Dedicated Reading Time
- 12. Sourcing Reliable Information of Books Engineering Graphics Notes 1st Year
  - Fact-Checking eBook Content of Books Engineering Graphics Notes 1st Year
  - Distinguishing Credible Sources
- 13. Promoting Lifelong Learning
  - Utilizing eBooks for Skill Development
  - Exploring Educational eBooks
- 14. Embracing eBook Trends

- Integration of Multimedia Elements
- Interactive and Gamified eBooks

### **Books Engineering Graphics Notes 1st Year Introduction**

In today's digital age, the availability of Books Engineering Graphics Notes 1st Year books and manuals for download has revolutionized the way we access information. Gone are the days of physically flipping through pages and carrying heavy textbooks or manuals. With just a few clicks, we can now access a wealth of knowledge from the comfort of our own homes or on the go. This article will explore the advantages of Books Engineering Graphics Notes 1st Year books and manuals for download, along with some popular platforms that offer these resources. One of the significant advantages of Books Engineering Graphics Notes 1st Year books and manuals for download is the cost-saving aspect. Traditional books and manuals can be costly, especially if you need to purchase several of them for educational or professional purposes. By accessing Books Engineering Graphics Notes 1st Year versions, you eliminate the need to spend money on physical copies. This not only saves you money but also reduces the environmental impact associated with book production and transportation. Furthermore, Books Engineering Graphics Notes 1st Year books and manuals for download are incredibly convenient. With just a computer or smartphone and an internet connection, you can access a vast library of resources on any subject imaginable. Whether you're a student looking for textbooks, a professional seeking industry-specific manuals, or someone interested in self-improvement, these digital resources provide an efficient and accessible means of acquiring knowledge. Moreover, PDF books and manuals offer a range of benefits compared to other digital formats. PDF files are designed to retain their formatting regardless of the device used to open them. This ensures that the content appears exactly as intended by the author, with no loss of formatting or missing graphics. Additionally, PDF files can be easily annotated, bookmarked, and searched for specific terms, making them highly practical for studying or referencing. When it comes to accessing Books Engineering Graphics Notes 1st Year books and manuals, several platforms offer an extensive collection of resources. One such platform is Project Gutenberg, a nonprofit organization that provides over 60,000 free eBooks. These books are primarily in the public domain, meaning they can be freely distributed and downloaded. Project Gutenberg offers a wide range of classic literature, making it an excellent resource for literature enthusiasts. Another popular platform for Books Engineering Graphics Notes 1st Year books and manuals is Open Library. Open Library is an initiative of the Internet Archive, a non-profit organization dedicated to digitizing cultural artifacts and making them accessible to the public. Open Library hosts millions of books, including both public domain works and contemporary titles. It also allows users to borrow digital copies of certain books for a limited period, similar to a library lending system. Additionally, many universities and educational institutions have their own digital libraries that provide free access to PDF books and manuals. These libraries

often offer academic texts, research papers, and technical manuals, making them invaluable resources for students and researchers. Some notable examples include MIT OpenCourseWare, which offers free access to course materials from the Massachusetts Institute of Technology, and the Digital Public Library of America, which provides a vast collection of digitized books and historical documents. In conclusion, Books Engineering Graphics Notes 1st Year books and manuals for download have transformed the way we access information. They provide a cost-effective and convenient means of acquiring knowledge, offering the ability to access a vast library of resources at our fingertips. With platforms like Project Gutenberg, Open Library, and various digital libraries offered by educational institutions, we have access to an ever-expanding collection of books and manuals. Whether for educational, professional, or personal purposes, these digital resources serve as valuable tools for continuous learning and self-improvement. So why not take advantage of the vast world of Books Engineering Graphics Notes 1st Year books and manuals for download and embark on your journey of knowledge?

### **FAQs About Books Engineering Graphics Notes 1st Year Books**

How do I know which eBook platform is the best for me? Finding the best eBook platform depends on your reading preferences and device compatibility. Research different platforms, read user reviews, and explore their features before making a choice. Are free eBooks of good quality? Yes, many reputable platforms offer high-quality free eBooks, including classics and public domain works. However, make sure to verify the source to ensure the eBook credibility. Can I read eBooks without an eReader? Absolutely! Most eBook platforms offer web-based readers or mobile apps that allow you to read eBooks on your computer, tablet, or smartphone. How do I avoid digital eye strain while reading eBooks? To prevent digital eye strain, take regular breaks, adjust the font size and background color, and ensure proper lighting while reading eBooks. What the advantage of interactive eBooks? Interactive eBooks incorporate multimedia elements, quizzes, and activities, enhancing the reader engagement and providing a more immersive learning experience. Books Engineering Graphics Notes 1st Year is one of the best book in our library for free trial. We provide copy of Books Engineering Graphics Notes 1st Year in digital format, so the resources that you find are reliable. There are also many Ebooks of related with Books Engineering Graphics Notes 1st Year . Where to download Books Engineering Graphics Notes 1st Year online for free? Are you looking for Books Engineering Graphics Notes 1st Year PDF? This is definitely going to save you time and cash in something you should think about.

### Find Books Engineering Graphics Notes 1st Year :

[for entrepreneurs 57-249 ecommerce trends strategies United States](#)  
**57-882 luxury travel trends for creators 57-1229 luxury travel trends**  
**case study for small business 57-1134 personal finance case study for**  
**blueprint for entrepreneurs 57-868 dropshipping business blueprint for**  
**print on demand step by step for entrepreneurs 57-1935 print on demand**  
**dropshipping business comparison for small business 57-573 dropshipping**  
[review America 57-750 credit score improvement review for entrepreneurs](#)  
[entrepreneurs 57-696 credit score improvement checklist for startups](#)  
[marketing strategies United States 57-172 content marketing strategies](#)  
[machine learning basics tips for entrepreneurs 57-940 machine learning](#)  
[57-1627 real estate investing tools United States 57-1597 real estate](#)  
[57-1983 online business tutorial for startups 57-844 online privacy apps](#)  
[marketing step by step for startups 57-666 content marketing strategies](#)  
[on demand tutorial for creators 57-2376 productivity hacks apps United](#)  
[57-1790 business automation software USA 57-2487 business automation](#)

### Books Engineering Graphics Notes 1st Year :

**leitlinien zur diagnostik und therapie von psychischen** - Apr 10 2023

web leitlinien zur diagnostik und therapie von psychischen störungen im säuglings Kindes und jugendalter deutscher bildungsserver auf dieser website können die leitlinien

[diagnostik psychischer storungen im Kindes und ju](#) - Jan 27 2022

web introduction diagnostik psychischer storungen im Kindes und ju pdf pdf lehrbuch klinische Kinder und jugendpsychologie und psychotherapie Julia Asbrand

**psychische störungen im Kindes und jugendalter springerlink** - Jul 01 2022

web Jul 30 2020 Kids 3 stellt verfahren zur störungsübergreifenden diagnostik psychischer störungen im Kindes und jugendalter vor

**diagnostik psychischer störungen bei Kindern und jugendlichen** - Aug 02 2022

web Sep 12 2007 die epidemiologie psychischer auffälligkeiten und störungen im Kindes und jugendalter hilft Kinder und

jugendpsychiatern bzw psychologen bei der

**diagnostik psychischer störungen im kindes und jugendalter** - Mar 29 2022

web 2 2 diagnostik psychischer storungen im kindes und ju 2020 10 20 präventionsansätze diagnostik und differenzialdiagnostik interventionen sowie

*diagnostik psychischer storungen im kindes und ju* - Sep 22 2021

**Überblick über psychiatrische störungen im kindes und** - Aug 14 2023

web obwohl manchmal angenommen wird dass kindheit und jugend eine zeit des unbeschwerten glücks sind haben bis zu 20 der kinder und jugendlichen eine

diagnostik psychischer storungen im kindes und ju pdf pdf - Dec 26 2021

web diagnostik psychischer storungen im kindes und ju getting the books diagnostik psychischer storungen im kindes und ju now is not type of challenging means you

**diagnostik psychischer storungen im kindes und ju pdf** - Feb 25 2022

web das manual stellt zunächst die symptomatik und klassifikation der zwangsstörung dar und referiert aktuelle befunde aus der therapieforschung anschließend wird in form von

diagnostik psychischer störungen request pdf researchgate - May 31 2022

web jan 1 2005 in dieser Übersichtsarbeit werden ausgewählte inhalte und internationale empirische befunde zur epidemiologie psychischer störungen im kindes und

**diagnostik psychischer storungen im kindes und ju christian** - Oct 24 2021

web diagnostik psychischer storungen im kindes und ju after getting deal so like you require the books swiftly you can straight acquire it its therefore utterly easy and

**diagnostik psychischer storungen im kindes und ju** - Jul 13 2023

web nach einer kompakten darstellung der kindlichen entwicklung in den ersten sechs lebensjahren werden mögliche klinische störungen stringent gegliedert nach

diagnostik psychischer storungen im kindes und ju - Mar 09 2023

web störungen im kindes und jugendalter ganzheitlich es bietet ihnen die voraussetzungen für alle diagnostischen und therapeutischen maßnahmen orientiert an den

**psychische erkrankungen bei kinder und jugendlichen** - Jan 07 2023

web apr 8 2021 inzwischen haben neuere erkenntnisse gezeigt dass sich psychische auffälligkeiten bei 2 bis 5 jährigen in ihrer persistenz nur wenig von auffälligkeiten

psychische störungen bei kindern und jugendlichen - Nov 05 2022

web description das lehrbuch informiert über das gesamte spektrum psychischer störungen bei kindern und jugendlichen mit orientierung an icd 10 die inhalte sind

psychische störungen des kindes und jugendalters - Dec 06 2022

web das lehrbuch informiert sie über das gesamte spektrum psychischer störungen bei kindern und jugendlichen mit orientierung sowohl an icd 10 als auch an icd 11 die

**pdf diagnostik psychischer storungen im kindes und ju** - Jun 12 2023

web eine praxisorientierte einführung in die grundlagen der diagnostik psychischer störungen und auffälligkeiten im kindes und jugendalter ausführlich wird insbesondere auf die

diagnostik psychischer störungen im kindes und - Feb 08 2023

web häufigkeit psychischer erkrankungen fast jede fünfte unter 18 jährige erkrankt innerhalb eines jahres an einer psychischen störung 5 6 häufigste störungen des kindes

kinder jugendliche diagnose psychischer störungen - May 11 2023

web um die verschiedenen faktoren die bei der psychischen erkrankung im kindes und jugendalter eine rolle spielen möglichst genau zu erfassen wird hier oft das so

**pdf zur epidemiologie psychischer störungen im kindes und** - Apr 29 2022

web diagnostik psychischer störungen im kindes und jugendalter leitfaden kinder und jugendpsychotherapie döpfner manfred petermann franz isbn 9783801724023

**diagnostik psychischer storungen im kindes und ju** - Nov 24 2021

web you could enjoy now is diagnostik psychischer storungen im kindes und ju below soziale Ängste und leistungsängste hendrik büch 2015 05 04 soziale Ängste und

**diagnostik psychischer störungen semantic scholar** - Sep 03 2022

web jan 1 2019 download citation on jan 1 2019 hans christoph steinhausen published diagnostik psychischer störungen bei kindern und jugendlichen find read and cite

psychische störungen bei kindern und jugendlichen - Oct 04 2022

web kids 3 stellt verfahren zur storungsubergreifenden diagnostik psychischer storungen im kindes und jugendalter vor dazu zahlen instrumente zur dokumentation und

**9th grade english help and review final exam study com** - Feb 09 2023

web test and improve your knowledge of 9th grade english help and review with fun multiple choice exams you can take online with study com

**student name p grade 9 english language arts literacy test** - Sep 04 2022

web today you will take unit 1 of the grade 9 english language arts literacy practice test read each passage and question then follow the directions to answer each question mark your answers by completely filling in the circles in your answer document do not make any pencil marks outside of the circles

*results for 9th grade english final exam tpt* - Jun 01 2022

web english final exam this 100 question editable english test is perfect for end of the year final exams and beginning of the year pre assessment this download is completely editable and includes two versions of a 100 question test a comprehensive student study guide and an answer key

grade 9 english practice exam proprofs - Jan 28 2022

web sep 7 2023 welcome to the grade 9 english practice exam this exam is designed to assess your understanding and proficiency in various aspects of english language and literature it covers a range of topics including reading comprehension grammar vocabulary and literary analysis

*9th grade english final exam flashcards and study sets quizlet* - Jul 14 2023

web learn 9th grade english final exam with free interactive flashcards choose from 5 000 different sets of 9th grade english final exam flashcards on quizlet

*9th grade reading vocabulary reading language arts khan academy* - Apr 30 2022

web ela practice and instruction for 9th grade covering reading comprehension and vocabulary aligned to common core state standards for reading literature reading informational text and vocabulary acquisition and use

**english 9 final exam review flashcards and study sets quizlet** - Jan 08 2023

web learn english 9 final exam review with free interactive flashcards choose from 5 000 different sets of english 9 final exam review flashcards on quizlet

**english 9 final exam flashcards quizlet** - Feb 26 2022

web english 9 final exam learn with flashcards games and more for free svg vector icons onlinewebfonts com icon fresh features from the 1 ai enhanced learning platform

*9th grade english homeschool curriculum final exam study com* - Dec 27 2021

web 9th grade english homeschool curriculum final exam free practice test instructions choose your answer to the question and click continue to see how you did then click next question to

9th grade english high school final exam study com - Aug 15 2023

web 9th grade english high school final exam free practice test instructions choose your answer to the question and click continue to see how you did then click next question to

[english grade 9 grammar tests englishteststore](#) - Jun 13 2023

web last updated 05 november 2015 these tests were designed for students who are at grade 9 grammar tests for grade 9 will help you to practice your english grammar as well as vocabulary each test contains 10 questions choose an answer to complete each question instructions may be available for each test

**english 9 final exam review flashcards quizlet** - Dec 07 2022

web these flashcards go over all the sol for the 9th grade final learn with flashcards games and more for free

**english grade 9 final exam flashcards quizlet** - Nov 06 2022

web english grade 9 final exam 5 0 2 reviews term 1 19 alliteration click the card to flip definition 1 19 the repetition of the same consonant sounds in a sequence of words usually at the beginning of a word or stressed syllable click the card to flip flashcards learn test match created by peter scouras terms in this set 19 alliteration

**remedial 9th grade english final exam study com** - Aug 03 2022

web test and improve your knowledge of remedial 9th grade english with fun multiple choice exams you can take online with study com

**english 9 final exam review 206 plays quizizz** - May 12 2023

web english 9 final exam review quiz for 9th grade students find other quizzes for english and more on quizizz for free

**9th grade ela final exam 98 plays quizizz** - Jul 02 2022

web 9th grade ela final exam quiz for 9th grade students find other quizzes for english and more on quizizz for free

**grade 9 english test with answers proprofs quiz** - Mar 10 2023

web mar 22 2022 below is a trivia quiz being the english test for 9th grade if you are a ninth grader and are looking to test out your knowledge of the english language writing sentences and vocabulary the quiz below is perfect for you as it ensures that you get as much practice as you may need before the finals do give it a shot questions and

**9th grade english final exam 1 flashcards and study sets quizlet** - Apr 11 2023

web learn 9th grade english final exam 1 with free interactive flashcards choose from 5 000 different sets of 9th grade english final exam 1 flashcards on quizlet

*english tests for grade 9* - Mar 30 2022

web free english tests online english grammar exercises and toefl toeic gre gmat sat tests all english tests have answers and explanations english tests for grade 9

*common core 9th grade english language arts practice tests* - Oct 05 2022

web free common core 9th grade english language arts diagnostic tests take the varsity learning tools free diagnostic test for common core 9th grade english language arts to determine which academic concepts you understand and which ones require

your ongoing attention

**free character description writing primary resources ks1** - May 29 2023

web twinkl symbols our character description writing template is a great way to teach your ks1 students how to write a character description it encourages them to think creatively and reflect on recent stories they ve read and the characters within them

*ks1 character description checklist teacher made twinkl* - Jun 29 2023

web twinkl key stage 1 year 1 year 2 english writing fiction describing characters it absolutely does this is a fantastic clear and accessible assessment checklist to be used to self and peer assess character descriptions

*twinkl ks1 writing a character profile youtube* - Dec 24 2022

web use this character profile template to aid your teaching twinkl co uk l qrn9jthis resource features a clear and easy to use writing template f

**462 top character profile template teaching resources twinkl** - Jun 17 2022

web explore more than 462 character profile template resources for teachers parents and pupils as well as related resources on character profile help check out our interactive series of lesson plans worksheets powerpoints and assessment tools today all teacher made aligned with the australian curriculum

**character descriptions character template ks1 writing twinkl** - Oct 02 2023

web character descriptions are as essential to a story as the actions of the characters themselves you can help your students perfect their skills in writing character descriptions in fiction writing with our range of character lesson plans and character template resources for key stage 1 and 2

*story writing characters english learning with bbc bitesize* - Feb 23 2023

web story writing characters part of english fiction year 5 learning focus learn how characters are created and write a character description this lesson includes one video about

**creating a character profile teaching resource pack twinkl** - Sep 20 2022

web creating a character profile teaching resource pack 3 6 9 reviews writing fiction describing characters free account includes thousands of free teaching resources to download pick your own free resource every week with our newsletter suggest a resource you want it we ll make it 24 7 customer support with real people

**character profile template primary resources twinkl** - Feb 11 2022

web twinkl sk vzdelávacie zdroje help this character profile template can be used in many ways within the classroom you could use this creating a character profile template to plan writing your own character profile for example to act as a

**character sheet template for writing activity set ks2 twinkl** - Mar 15 2022

web this brilliant character sheet template for writing activity set features a range of handy templates to help pupils create characters for their stories looking for a resource that can support your learners when writing stories and coming up with compelling characters

*character description templates ks1 writing templates twinkl* - Apr 27 2023

web help your ks1 class write a brilliant character description with this template it s a fantastic resource you can use during your lessons on character description to test comprehension practise writing and literacy skills and reinforce learning

*creating a character profile template creative writing twinkl* - Sep 01 2023

web oct 4 2017 creating a character profile helps authors to develop a character s story and make it easier for the readers to follow it also helps to make sure that no errors are made when writing a story use this character profile template resource to create the perfect characters for your story

top trumps character profile creation worksheets for ks1 2 teachwire - Mar 27 2023

web top trumps character profile creation worksheets for ks1 2 english creative writing download now by rachel clarke what s included pdf top trumps style character profile template key stage ks1 ks2 age years 1 6 subjects english

**character description template teaching resources** - Dec 12 2021

web feb 22 2018 a character description template draw a picture describe appearance personality actions and the character changing over time

*461 top character profile template teaching resources* - Aug 20 2022

web ks1 character description checklist 5 0 2 reviews last downloaded on lks2 character description checklist 4 0 explore more than 461 character profile template resources for teachers parents and pupils as well as related resources on character analysis membership about us media

**character profile template 1st grade resource twinkl usa** - Oct 22 2022

web oct 4 2017 one of the main components of any good story or novel is the cast of characters it has if you are looking to teach your kids about character details you can easily incorporate this character profile template into your lesson plan for your english classes to do so this character outline template is excellent for introducing the topic

character profile template primary resources twinkl - Jan 25 2023

web character profile template primary resources twinkl this character profile template is great for story planning and creating rounded characters and features space to describe and edit appearance and personality this character profile template can be used in many ways within the classroom

**character profile template primary resources twinkl** - Jan 13 2022

web oct 4 2017 twinkl sk vzdelávacie zdroje help this character profile template can be used in many ways within the

classroom you could use this creating a character profile template to plan writing your own character profile for example to act as a wagoll for children to discuss its features

**character profile template teaching resources** - Jul 31 2023

web oct 6 2023 age range 7 11 resource type worksheet activity file previews pdf 114 84 kb pdf 2 24 mb a template to help pupils to write a profile about a book character use this character profile template to write about a character s appearance looks personality traits actions and special skills

*character profile template k 3 teacher resources* - Jul 19 2022

web character profile template a template to use in the classroom when creating character profiles ideal for children to use when planning characters for imaginative texts print off a copy for each child in the class alternatively laminate a class set for repetitive use children create a character profile for the main character in their story

**character profile teaching resources** - Nov 22 2022

web nov 11 2018 file previews docx 14 21 kb a sheet for children to fill out for a character i set this as a homework in preparation for the next literacy lesson to let us know if it violates our terms and conditions our customer service team will review your report and will be in touch last updated

character profile teaching resources - Nov 10 2021

web aug 16 2021 file previews doc 23 5 kb worksheet for character profile booklet report this resource to let us know if it violates our terms and conditions our customer service team will review your report and will be in touch last updated

**character profile teaching template ks3 5 english teachit** - May 17 2022

web feb 21 2023 this blank character profile template could be used in a number of ways including exploring or creating a character the resource provides prompts to engage with a character s personality and how they might feel towards others it is a flexible resource which could be used for reading a fiction text creative writing a role play activity

**character sheet template for writing activity set ks2 twinkl** - Apr 15 2022

web this brilliant character sheet template for writing activity set features a range of handy templates to help pupils create characters for their stories looking for a resource that can support your learners when writing stories and coming up with compelling characters