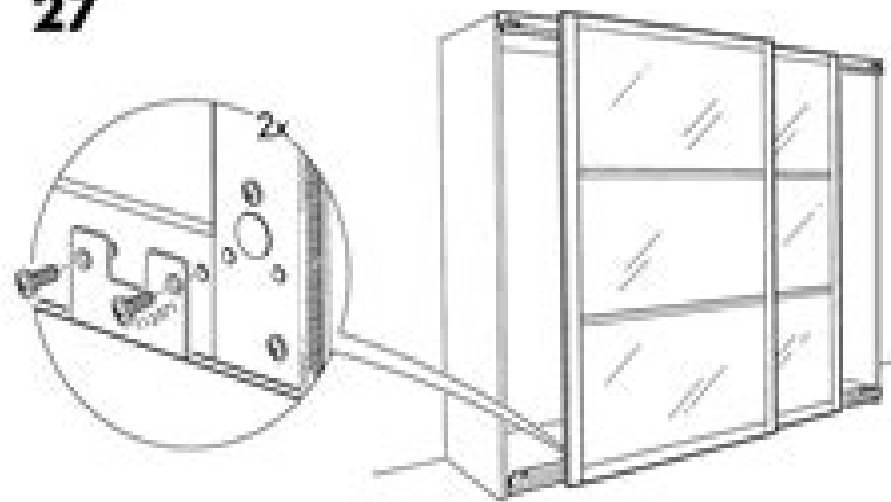
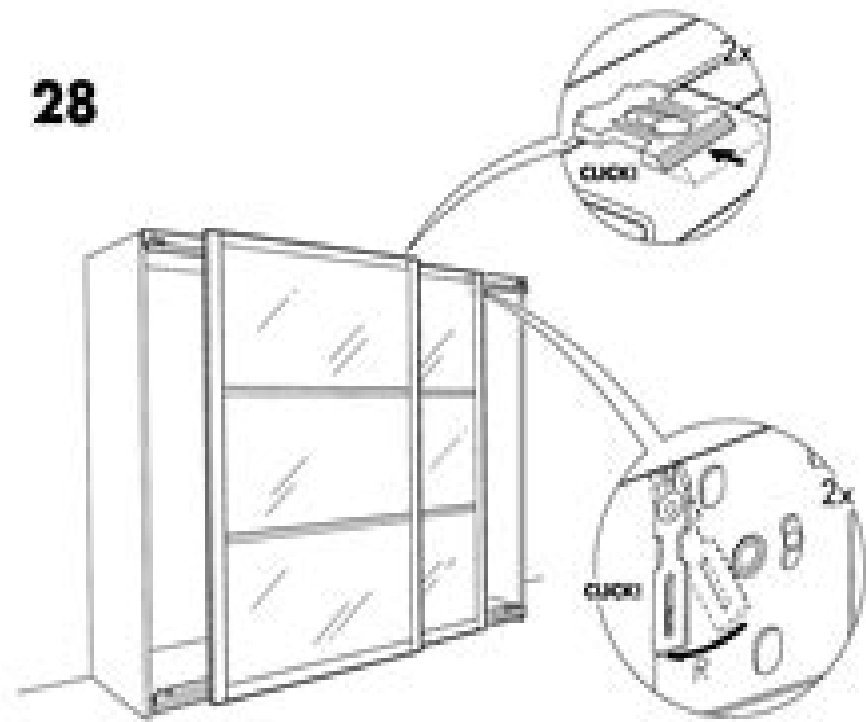


**27**



**28**



# Ikea Pax Instructions Door

**Michael Seilmaier**



## **Ikea Pax Instructions Door:**

## **Ikea Pax Instructions Door** Book Review: Unveiling the Power of Words

In a world driven by information and connectivity, the energy of words has become much more evident than ever. They have the ability to inspire, provoke, and ignite change. Such is the essence of the book **Ikea Pax Instructions Door**, a literary masterpiece that delves deep to the significance of words and their affect our lives. Compiled by a renowned author, this captivating work takes readers on a transformative journey, unraveling the secrets and potential behind every word. In this review, we will explore the book's key themes, examine its writing style, and analyze its overall effect on readers.

<https://py.bijouxmedusa.com/About/detail/HomePages/Functional%20And%20Speciality%20Beverage%20Technology%20Wo odhead%20Publishing%20Series%20In%20Food%20Science%20Technology%20And%20Nutrition.pdf>

### **Table of Contents Ikea Pax Instructions Door**

1. Understanding the eBook Ikea Pax Instructions Door
  - The Rise of Digital Reading Ikea Pax Instructions Door
  - Advantages of eBooks Over Traditional Books
2. Identifying Ikea Pax Instructions Door
  - Exploring Different Genres
  - Considering Fiction vs. Non-Fiction
  - Determining Your Reading Goals
3. Choosing the Right eBook Platform
  - Popular eBook Platforms
  - Features to Look for in an Ikea Pax Instructions Door
  - User-Friendly Interface
4. Exploring eBook Recommendations from Ikea Pax Instructions Door
  - Personalized Recommendations
  - Ikea Pax Instructions Door User Reviews and Ratings
  - Ikea Pax Instructions Door and Bestseller Lists

5. Accessing Ikea Pax Instructions Door Free and Paid eBooks
  - Ikea Pax Instructions Door Public Domain eBooks
  - Ikea Pax Instructions Door eBook Subscription Services
  - Ikea Pax Instructions Door Budget-Friendly Options
6. Navigating Ikea Pax Instructions Door eBook Formats
  - ePub, PDF, MOBI, and More
  - Ikea Pax Instructions Door Compatibility with Devices
  - Ikea Pax Instructions Door Enhanced eBook Features
7. Enhancing Your Reading Experience
  - Adjustable Fonts and Text Sizes of Ikea Pax Instructions Door
  - Highlighting and Note-Taking Ikea Pax Instructions Door
  - Interactive Elements Ikea Pax Instructions Door
8. Staying Engaged with Ikea Pax Instructions Door
  - Joining Online Reading Communities
  - Participating in Virtual Book Clubs
  - Following Authors and Publishers Ikea Pax Instructions Door
9. Balancing eBooks and Physical Books Ikea Pax Instructions Door
  - Benefits of a Digital Library
  - Creating a Diverse Reading Collection Ikea Pax Instructions Door
10. Overcoming Reading Challenges
  - Dealing with Digital Eye Strain
  - Minimizing Distractions
  - Managing Screen Time
11. Cultivating a Reading Routine Ikea Pax Instructions Door
  - Setting Reading Goals Ikea Pax Instructions Door
  - Carving Out Dedicated Reading Time
12. Sourcing Reliable Information of Ikea Pax Instructions Door
  - Fact-Checking eBook Content of Ikea Pax Instructions Door
  - Distinguishing Credible Sources
13. Promoting Lifelong Learning

- Utilizing eBooks for Skill Development
  - Exploring Educational eBooks
14. Embracing eBook Trends
- Integration of Multimedia Elements
  - Interactive and Gamified eBooks

### **Ikea Pax Instructions Door Introduction**

In the digital age, access to information has become easier than ever before. The ability to download Ikea Pax Instructions Door has revolutionized the way we consume written content. Whether you are a student looking for course material, an avid reader searching for your next favorite book, or a professional seeking research papers, the option to download Ikea Pax Instructions Door has opened up a world of possibilities. Downloading Ikea Pax Instructions Door provides numerous advantages over physical copies of books and documents. Firstly, it is incredibly convenient. Gone are the days of carrying around heavy textbooks or bulky folders filled with papers. With the click of a button, you can gain immediate access to valuable resources on any device. This convenience allows for efficient studying, researching, and reading on the go. Moreover, the cost-effective nature of downloading Ikea Pax Instructions Door has democratized knowledge. Traditional books and academic journals can be expensive, making it difficult for individuals with limited financial resources to access information. By offering free PDF downloads, publishers and authors are enabling a wider audience to benefit from their work. This inclusivity promotes equal opportunities for learning and personal growth. There are numerous websites and platforms where individuals can download Ikea Pax Instructions Door. These websites range from academic databases offering research papers and journals to online libraries with an expansive collection of books from various genres. Many authors and publishers also upload their work to specific websites, granting readers access to their content without any charge. These platforms not only provide access to existing literature but also serve as an excellent platform for undiscovered authors to share their work with the world. However, it is essential to be cautious while downloading Ikea Pax Instructions Door. Some websites may offer pirated or illegally obtained copies of copyrighted material. Engaging in such activities not only violates copyright laws but also undermines the efforts of authors, publishers, and researchers. To ensure ethical downloading, it is advisable to utilize reputable websites that prioritize the legal distribution of content. When downloading Ikea Pax Instructions Door, users should also consider the potential security risks associated with online platforms. Malicious actors may exploit vulnerabilities in unprotected websites to distribute malware or steal personal information. To protect themselves, individuals should ensure their devices have reliable antivirus software installed and validate the legitimacy of the websites they are downloading from. In conclusion, the ability to download Ikea Pax

Instructions Door has transformed the way we access information. With the convenience, cost-effectiveness, and accessibility it offers, free PDF downloads have become a popular choice for students, researchers, and book lovers worldwide. However, it is crucial to engage in ethical downloading practices and prioritize personal security when utilizing online platforms. By doing so, individuals can make the most of the vast array of free PDF resources available and embark on a journey of continuous learning and intellectual growth.

### **FAQs About Ikea Pax Instructions Door Books**

How do I know which eBook platform is the best for me? Finding the best eBook platform depends on your reading preferences and device compatibility. Research different platforms, read user reviews, and explore their features before making a choice. Are free eBooks of good quality? Yes, many reputable platforms offer high-quality free eBooks, including classics and public domain works. However, make sure to verify the source to ensure the eBook credibility. Can I read eBooks without an eReader? Absolutely! Most eBook platforms offer webbased readers or mobile apps that allow you to read eBooks on your computer, tablet, or smartphone. How do I avoid digital eye strain while reading eBooks? To prevent digital eye strain, take regular breaks, adjust the font size and background color, and ensure proper lighting while reading eBooks. What the advantage of interactive eBooks? Interactive eBooks incorporate multimedia elements, quizzes, and activities, enhancing the reader engagement and providing a more immersive learning experience. Ikea Pax Instructions Door is one of the best book in our library for free trial. We provide copy of Ikea Pax Instructions Door in digital format, so the resources that you find are reliable. There are also many Ebooks of related with Ikea Pax Instructions Door. Where to download Ikea Pax Instructions Door online for free? Are you looking for Ikea Pax Instructions Door PDF? This is definitely going to save you time and cash in something you should think about. If you trying to find then search around for online. Without a doubt there are numerous these available and many of them have the freedom. However without doubt you receive whatever you purchase. An alternate way to get ideas is always to check another Ikea Pax Instructions Door. This method for see exactly what may be included and adopt these ideas to your book. This site will almost certainly help you save time and effort, money and stress. If you are looking for free books then you really should consider finding to assist you try this. Several of Ikea Pax Instructions Door are for sale to free while some are payable. If you arent sure if the books you would like to download works with for usage along with your computer, it is possible to download free trials. The free guides make it easy for someone to free access online library for download books to your device. You can get free download on free trial for lots of books categories. Our library is the biggest of these that have literally hundreds of thousands of different products categories represented. You will also see that there are specific sites catered to different product types or categories, brands or niches

related with Ikea Pax Instructions Door. So depending on what exactly you are searching, you will be able to choose e books to suit your own need. Need to access completely for Campbell Biology Seventh Edition book? Access Ebook without any digging. And by having access to our ebook online or by storing it on your computer, you have convenient answers with Ikea Pax Instructions Door To get started finding Ikea Pax Instructions Door, you are right to find our website which has a comprehensive collection of books online. Our library is the biggest of these that have literally hundreds of thousands of different products represented. You will also see that there are specific sites catered to different categories or niches related with Ikea Pax Instructions Door So depending on what exactly you are searching, you will be able to choose ebook to suit your own need. Thank you for reading Ikea Pax Instructions Door. Maybe you have knowledge that, people have search numerous times for their favorite readings like this Ikea Pax Instructions Door, but end up in harmful downloads. Rather than reading a good book with a cup of coffee in the afternoon, instead they juggled with some harmful bugs inside their laptop. Ikea Pax Instructions Door is available in our book collection an online access to it is set as public so you can download it instantly. Our digital library spans in multiple locations, allowing you to get the most less latency time to download any of our books like this one. Merely said, Ikea Pax Instructions Door is universally compatible with any devices to read.

### **Find Ikea Pax Instructions Door :**

**functional and speciality beverage technology woodhead publishing series in food science technology and nutrition**

**fundamentals of boundary layer heat transfer with  
from debt to riches by phumelele ndumo**

~~gese physics topics pass my exams revision notes for  
fundamentals of engineering economics 3rd edition solution~~

functional medicine university s functional diagnostic

~~ftm 100dr de yaesu~~

gas turbine case study

**foxfire 5**

*gce a level physics 1000 mcqs redspot*

gahire pani ratnakar matkari

**fundamentals of clinical supervision 5th edition merrill counseling hardcover**

~~download oceanography and marine biology an~~

**gary dessler human resource management 12th edition**

fundamentals-of-biomedical-science-haematology.pdf

**Ikea Pax Instructions Door :**

**how to read a film the world of movies media multimedia** - Apr 30 2022

web lavishly illustrated with over 350 halftones and seventy four original diagrams as well as discussions on the development of the art of movies and the major theoretical

editions how to read a film the world of movies media - Jan 28 2022

web 1916 1930 silent film radio and sound film 1931 1945 the great age of hollywood and radio 1946 1960 the growth of television 1961 1980 the media world 1981 1999

**how to read a film** - Dec 27 2021

web it is your categorically own time to play in reviewing habit along with guides you could enjoy now is how to read a film the world of movies media multi below how to read a

**how to read a film the world of movies media multimedia** - Jun 01 2022

web buy how to read a film the world of movies media multimedia language history theory by monaco james online on amazon ae at best prices fast and free shipping

*1 000 year old alien corpses shown to mexican congress* - Feb 14 2021

web sep 6 2023 the case u s et al v google is the federal government s first monopoly trial of the modern internet era as a generation of tech companies has come to wield

*how to read a film the world of movies media multi ray* - Nov 25 2021

web sep 5 2023 summary not all movie streaming sites are created equal there are affordable options that won t break the bank but offer a cheaper way to stream movies

**nipah virus india s kerala rushes to contain a deadly outbreak** - Jan 16 2021

web 1 day ago surveillance video from a colorado theater shows rep lauren boebert r co being escorted out of a musical after multiple complaints from patrons trump was

*free movie streaming our top 11 picks for free films android* - Oct 25 2021

web sep 7 2023 jubilant shah rukh khan fans wait for his latest movie jawan to open in mumbai on september 7 2023

indranil mukherjee afp getty images khan won hearts

how to read a film the world of movies media - May 12 2023

web apr 13 2000 buy how to read a film the world of movies media multimedia language history theory 3 by monaco james isbn 9780195139815 from amazon s

**virginia democratic house candidate susanna gibson condemns** - Mar 18 2021

web 1 day ago a state in southern india is taking measures to contain an outbreak of the nipah virus after two people died from the rare and often deadly disease shutting schools and

*how to read a film the world of movies media multimedia* - Oct 05 2022

web read reviews from the world s largest community for readers undefined how to read a film the world of movies media multimedia language history theory the world

**jessica chastain movie memory gets 7 minute ovation at** - Jun 20 2021

web sep 11 2023 updated 7 30 pm pdt september 11 2023 richmond va ap a candidate in a high stakes legislative contest in virginia had sex with her husband in live

**how to read a film pdf 73 86 mb pdf room** - Jun 13 2023

web how to read a film the world of movies media and multimedia art technology language history theory james monaco with diagrams by david lindroth 3rd ed completely

**how to read a film james monaco oxford university press** - Feb 26 2022

web click to read more about editions how to read a film the world of movies media multimedia language history theory by james monaco film verstehen kunst

how to read a film the world of movies media researchgate - Feb 09 2023

web how to read a film the world of movies media multimedia language history theory İngilizce kağıt kapak 1 ocak 2009 james monaco eser sahibi format ve baskı

how to read a film the world of movies media multi book - Mar 30 2022

web may 8 2009 after examining film s close relation to other narrative media such as the novel painting photography television and even music the book discusses the

**candidate in high stakes virginia election performed sex acts with** - Apr 18 2021

web 2 days ago a discredited ufologist presented what he claimed were alien remains to mexico s congress in an attempt to persuade politicians to declare the existence of

**the crow reboot with bill skarsgard and fka twigs deadline** - May 20 2021

web sep 12 2023 rebecca wright cnn cnn the democratic candidate in a competitive virginia house district denounced reports that she and her husband had performed

**how to read a film the world of movies media and** - Aug 15 2023

web looking at film from many vantage points how to read a film movies media multimedia explores the medium as both art and craft sensibility and science tradition and technology after

**how to read a film the world of movies media multimedia** - Dec 07 2022

web may 31 2009 a great book and a must have for anyone interested in the film industry how to read a film is a long and extensive read containing the history of the film

**download how to read a film the world of movies media** - Mar 10 2023

web jan 1 2000 first published in 1977 this popular book has become the source on film and media now james monaco offers a revised and rewritten third edition incorporating

*how to read a film the world of movies media multime* - Sep 04 2022

web may 8 2009 after examining film s close relation to other narrative media such as the novel painting photography television and even music the book discusses the

videos show lauren boebert escorted out of theater cnn - Nov 13 2020

**expend4bles 2023 imdb** - Sep 23 2021

web sep 8 2023 a turkish cryptocurrency boss and his two siblings have been jailed for 11 196 years each for defrauding investors of millions of dollars faruk fatih ozer 29 fled to

*in its first monopoly trial of modern internet era u s sets* - Dec 15 2020

**how to read a film the world of movies media and multimedia** - Jul 14 2023

web how to read a film the world of movies media and multimedia language history theory james monaco oxford university press 2000 performing arts 672 pages

*how to read a film the world of movies media multimedia* - Jan 08 2023

web nov 15 2007 how to read a film the world of movies media multimedia by monaco james november 15 2007 oxford university press usa edition paperback in english

*james monaco how to read a film the world of movies media* - Jul 02 2022

web books like how to read a film the world of movies media multimedia language history theory find out more recommended books with our spot on books app

**how to read a film the world of movies media multimedia** - Nov 06 2022

web how to read a film the world of movies media multimedia language history theory free ebook download as pdf file pdf text file txt or read book online for free

**thodex cryptocurrency boss jailed for 11 196 years in turkey for** - Jul 22 2021

web sep 7 2023 caa media finance handled the deal for the film s domestic rights john biondo oversaw on behalf of lionsgate

with the pact finalized late wednesday night as

*how to read a film movies media and beyond google books* - Aug 03 2022

web film review in response to the prevalence of technology and multimedia sources of information in nursing academia and continuing education for nurses nursing ethics is

*jawan shah rukh khan fans pack india cinemas for latest* - Aug 23 2021

web sep 8 2023 michel franco s movie starring jessica chastain and peter sarsgaard was greeted with a seven minute ovation during its world premiere inside the sala grande

*how to read a film the world of movies media multimedia* - Apr 11 2023

web monaco has likewise doubled the size and scope of his film and media a chronology appendix the book also features a new introduction an expanded bibliography and

**o espaÑol en marcha hueber** - Jun 04 2023

web introducciÓn nuevo espaÑol en marcha 1es el primero de una se rie de cuatro tomos que abarca los con tenidos correspondientes a los niveles a1 a2 b1 y b2 del marco comÚn espaÑol de referencia

*pdf espaÑol en marcha 1 helios gutierrez academia edu* - Oct 08 2023

web método de espaÑol destinado a estudiantes jóvenes y adultos nivel a del mcer en un único volumen versión actualizada de espaÑol en marcha con nueva maqueta nuevas ilustraciones y nuevas fotografías

*nuevo espaÑol en marcha 1 ejercicios cd level a1* - Jul 05 2023

web nuevo espaÑol en marcha 1 ejercicios cd level a1 kađıt kapak 25 Őubat 2014 İspanyolca baskı francisca castro viúdez eser sahibi ignacio rodero díez eser sahibi carmen sardinero francos eser sahibi 4 4 57 deđerlendirme tüm biçimleri ve

**en marcha spanish to english translation spanishdictionary com** - Feb 17 2022

web 3 happening a underway el proyecto está en marcha aunque falta ultimar detalles the project is underway although we need to finalize the details b in progress la investigación policial de los hechos ya está en marcha a police investigation of the facts is already in progress c on the go

*espaÑol en marcha 1 student s book digital book blinklearning* - Sep 26 2022

web your digital book espaÑol en marcha 1 student s book from publisher includes interactive content and activities that check your answers automatically download your content and access it with and without internet connection from your smartphone tablet or computer need help

*nuevo espaÑol en marcha 1 a1 libro del alumno pdf* - May 23 2022

web jun 2 2020 nuevo espan ol en marcha 1 a1 libro del alumno pdf nuevo espan ol en marcha 1 a1 libro del alumno pdf june 2 2020 author anonymous category n a report this link download pdf

*nuevo espanol en marcha student book level a1 amazon com tr* - Apr 02 2023

web nivel a1 del mcer versin actualizada de espaol en marcha con nueva maqueta nuevas ilustraciones y nuevas fotografas adaptado a las directrices del plan curricular del instituto cervantes sigue un enfoque comunicativo controlado con una progresin de contenidos ajustada al nivel de los alumnos

español en marcha 1 libro del alumno a1 educaspain - Jan 31 2023

web método de español destinado a estudiantes jóvenes y adultos nivel a1 del mcer versión actualizada de español en marcha con nueva maqueta nuevas ilustraciones y nuevas fotografías adaptado a las directrices del plan curricular del instituto cervantes

**cha año 1 edición nueva a1 1 libro del alumno** - Jun 23 2022

web bien existe una edición con los niveles a1 y a2 en un solo volumen español en marcha básico al final de este primer tomo los estudiantes podrán comunicarse de forma elemental pero correctamente en pasado pretérito indefinido presente y futuro voy a infinitivo y conocerán

**español en marcha 1 libro del alumno cd amazon com** - Oct 28 2022

web jan 24 2014 método de español destinado a estudiantes jóvenes y adultos nivel a1 del mcer versión actualizada de español en marcha con nueva maqueta nuevas ilustraciones y nuevas fotografías

**nuevo espanol en marcha 1 student book for english speakers** - Mar 01 2023

web nuevo espanol en marcha 1 student book for english speakers spanish course with free online access viudez francisca castro ballesteros pilar diaz diez ignacio rodero francos carmen sardinero amazon com tr kitap

nuevo español en marcha 1 libro de ejercicios a1 - Jul 25 2022

web método de español destinado a estudiantes jóvenes y adultos nivel a1 del mcer versión actualizada de español en marcha con nueva maqueta nuevas ilustraciones y nuevas fotografías adaptado a las directrices del plan curricular del instituto cervantes

**en marcha diccionario inglés español wordreference com** - Mar 21 2022

web spanish english poner en marcha loc verb poner en funcionamiento start up turn on vtr phrasal sep puso en marcha el vehículo y salió del aparcamiento he started up the vehicle and drove out of the parking lot poner en marcha loc verb arrancar un proyecto

**libro del alumno sgel** - Aug 06 2023

web en marcha nuevo español en marcha es un curso de español para jóvenes y adultos que abarca los contenidos correspondientes a los niveles a1 a2 b1 y b2 del marco común europeo de referencia 1 a1 n u 1 curso de español como lengua extranjera e v o español nuevo español en marcha 1 consta de

**español en marcha 1 libro del alumno amazon es** - Sep 07 2023

web disfruta de miles de audiolibros y podcasts originales español en marcha 1 libro del alumno cd vol 1 sin coleccion castro viúdez francisca dÍaz ballesteros pilar rodero díez ignacio sardinero francos carmen amazon es libros

**español en marcha 1 nueva edición libro del alumno** - May 03 2023

web may 28 2021 nueva edición ampliada y revisada de espaÑol en marcha 1 alumno dirigida a estudiantes jóvenes y adultos de nivel a1 de mcer con un nuevo diseño y contenidos temáticos actualizados actividades mejoradas y adaptadas a las nuevas actualizaciones del mcer audios descargables

**spanish o espaÑol en marcha sgel** - Dec 30 2022

web nuevo espaÑol en marcha is a four level spanish course which covers the contents of levels a1 a2 b1 and b2 of the common european framework of reference for languages there is also an edition with levels a1 and a2 in a single volume entitled nuevo espaÑol en marcha básico

**nuevo espanol en marcha 1 a1 sb identity digital** - Apr 21 2022

web jul 1 2021 podrecznik espanol en marcha nivel basico a1 a2 201 pages pdf 101 6 mb abecedario espanol con ejercicios 2 pages 48 words pdf 197 1 kb 1979 la larga marcha 340 pages 87 304 words pdf 923 4 kb nuevo ven 1 151 pages pdf 26 3 mb 3 un mundo nuevo

**español en marcha 1 guía del profesor a1 issuu** - Aug 26 2022

web oct 19 2021 español en marcha 1 guía del profesor a1 curso de español como lengua extranjera sgel español ele libro de ejercicios

**español en marcha 1 nueva edición language learning** - Nov 28 2022

web jul 4 2023 level a1 nuevo español en marcha is a complete four level course for adults and adolescents covering cefr levels a1 to b2 español en marcha moves the content at a steady pace allowing for the information to be properly understood and assimilated

**operational research by s p gupta** - Jul 03 2022

web operational research by s p gupta is available in our digital library an online access to it is set as public so you can get it instantly our books collection hosts in multiple locations allowing you to get the most less latency time to download any of our books like this one kindly say the operational research by s p gupta

**operational research by s p gupta sheetodo com** - Dec 28 2021

web comprehend the research methodologies illustrated in each chapter this edition will equip students with the knowledge of skills involved in this basic research process operations research methods and practice c k mustafi 1996 written with the dual purpose of in depth study of operations research and creating an awareness

**operations research d s hira google books** - Oct 06 2022

web operations research d s hira s chand publishing 1992 technology engineering 1377 pages for engineering computer science commerce management economics statistics mathematics c a i c w a c s also useful for i a s

operations research gupta p k prem kumar 1933 free - Jun 14 2023

web publication date 1999 topics operations research operations research publisher ram nagar new delhi s chand company ltd collection inlibrary printdisabled internetarchivebooks contributor

**pdf book review operations research** - Apr 12 2023

web oct 1 2018 book review fundamentals of operations research for management shiv k gupta john m cozzolino january 1976 the journal of business linus schrage book review problems in basic operations

buy operation reserch book online at low prices in india operation - Mar 31 2022

web pk gupta is former assistant professor pec institute of engineering and technology chandigarh ds hira is director general swami vivekanand group of institute patiala product details asin 8121902819

*operations research dr r k gupta google books* - Dec 08 2022

web operations research author dr r k gupta publisher krishna prakashan media 1992 isbn 8182830877 9788182830875 length 626 pages export citation bibtext endnote refman

**operation research for sppu 15 course be i amazon in** - May 01 2022

web replacement analysis replacement of items that deteriorate replacement of items that fail suddenly chapters 6 7 unit 4 project management network models fulkerson s rule concept and types of floats cpm and pert crashing analysis and resource scheduling simulation introduction monte carlo simulation method simulation of

*operation research by gupta download free pdf or buy books* - Aug 04 2022

web operational research by s p gupta pdf operation research objectives operations research is a scientific approach to analyzing problems and making view pdf operation research gupta and manmohan pdf to download full version operation research gupta and manmohan pdf copy this link into your browser view pdf

**operational research by s p gupta pdf uniport edu** - Feb 27 2022

web jul 20 2023 business statistics operations research dr s p gupta 2022 08 10 the book entitled business statistics operation research is designed primarily for b com b com h bba students of madras university

**download kanti swarup operation research pdf** - Sep 05 2022

web kanti swarup gupta p k and manmohan operations research 2004 s chand sons view pdf kanti swarup p k gupta and singh m m operation research sultan chand sons

**quantitative techniques and operations research by s p gupta goodreads** - May 13 2023

web quantitative techniques and operations research by s p gupta goodreads jump to ratings and reviews want to read buy on amazon rate this book quantitative techniques and operations research s p gupta 4 44 18 ratings0 reviews paperback book details editions about the author s p gupta 33 books68 followers ratings friends following [operations research 7th edition by prem kumar gupta ds](#) - Jun 02 2022

web operations research 7th edition pdf by prem kumar gupta ds hira can be used to learn operations research linear programming transportation model assignment model sequencing models dynamic programming probability theory decision theory game models game theory investment analysis annuity queing models replacement models

**quantitative techniques operations research amazon in** - Feb 10 2023

web quantitative techniques operations research bba new syllabus unknown binding 1 january 2022 by s p gupta author p k gupta author 4 1 4 1 out of 5 stars 10 ratings

**operational research by s p gupta hamilton emmons 2023** - Jan 29 2022

web feb 20 2023 operational research by s p gupta as with ease as evaluation them wherever you are now applications of operations research to health care delivery systems brant e fries 2013 03 13

[operations research pdf 63 77 mb pdf room](#) - Jul 15 2023

web mar 14 2021 operations research free pdf download prem kumar gupta d 1 512 pages year 2014 read online pdf room [quantitative techniques and operations research 3rd edition](#) - Nov 07 2022

web quantitative techniques and operations research 3rd edition by s p gupta p k gupta from flipkart com only genuine products 30 day replacement guarantee free shipping

**operations research a textbook for students of mathematics** - Jan 09 2023

web operations research a textbook for students of mathematics statistics commerce engineering and management of all indian universities kanti swarup p k gupta s chand 1978

**operations research prem kumar gupta d s hira google** - Mar 11 2023

web operations research prem kumar gupta d s hira s chand 1992 operations research 1055 pages

**quantitative techniques and operations research dr s p gupta dr p** - Aug 16 2023

web may 6 2022 this book on quantitative techniques and operations research provides a conceptual understanding of basic quantitative techniques methods used in solving managerial problems it discusses