



VAR

VAR1

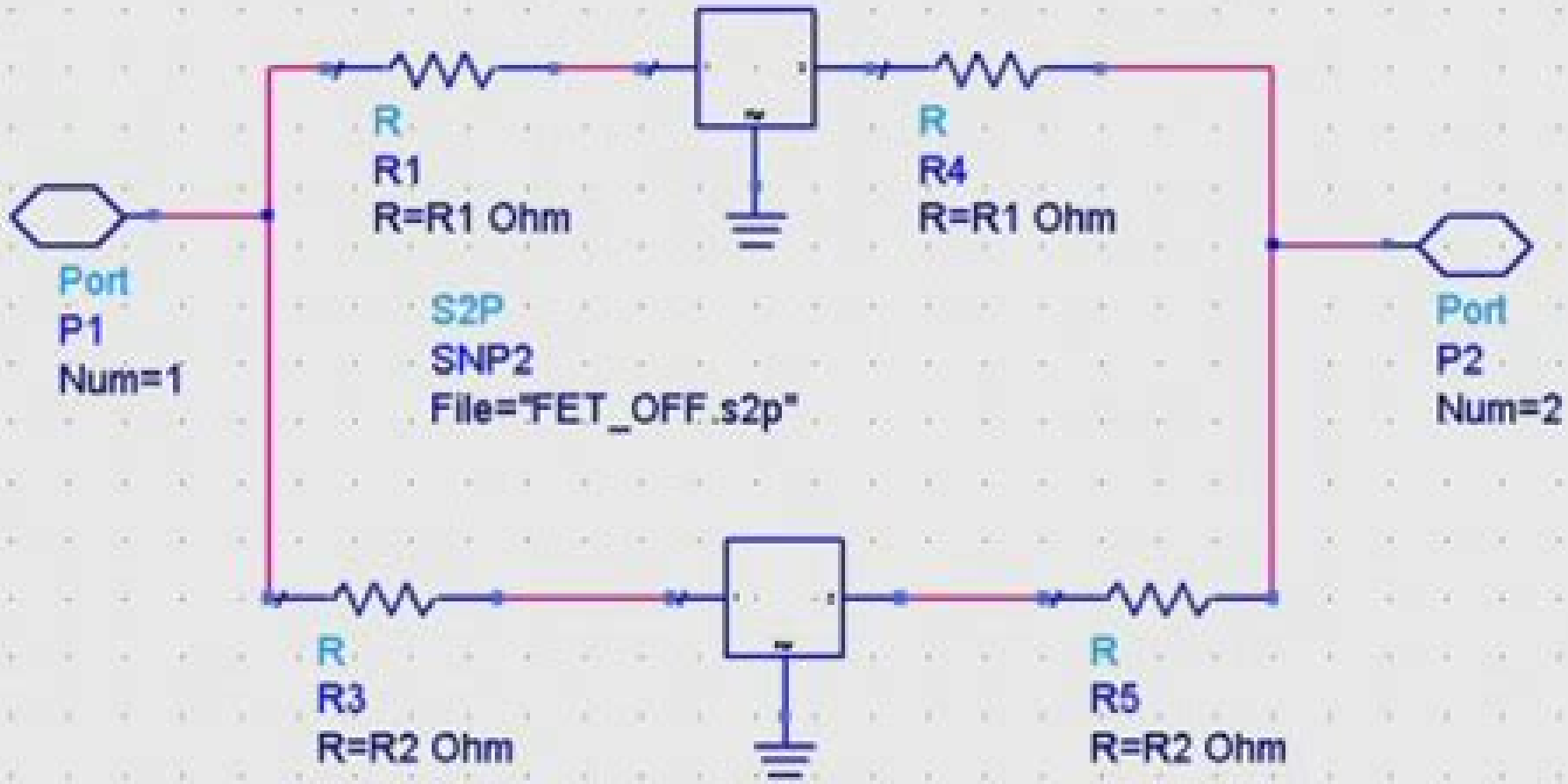
$$R1 = (1.000000001 - ON) / (0.000000001 + ON)$$

$$R2 = 1 / R1$$

S2P +

SNP1

File="FET_ON.s2p"



S2P

SNP2

File="FET_OFF.s2p"

R

R3

R=R2 Ohm

R

R5

R=R2 Ohm

Port

P1

Num=1

Port

P2

Num=2

Example Circuit Using Ads 3

Cambridge Philosophical Society



Example Circuit Using Ads 3 :

Co-simulations of Microwave Circuits and High-Frequency Electromagnetic Fields Mei Song Tong,Xiao Yu Li,2024-07-03 This book aims to provide many advanced application topics for microwave circuits and high frequency electromagnetic EM fields by using advanced design system ADS and high frequency structure simulator HFSS as simulation platforms In particular it contains the latest multidisciplinary co simulation guidance on the design of relevant components and devices Currently the circuit field design and performance analysis and optimization strongly rely on various kinds of robust electronic design automation EDA software RF microwave engineers must grasp two or more types of related simulation design software ADS by Keysight and HFSS by Ansys are the representative for circuit simulations and for field and structural simulations of microwave devices respectively At present these two types of software are widely used in enterprises universities and research institutions The main purpose of this book is to enable readers who are interested in microwave engineering and applied electromagnetics to master the applications of these two tools It also helps readers expand their knowledge boundaries behind those types of software and deepen their understanding of developing interdisciplinary technologies by co simulations The book is divided into three parts The first part introduces the two latest versions of ADS and HFSS and helps readers better understand the basic principles and latest functions better It also advises how to choose appropriate simulation tools for different problems The second part mainly describes co simulations for high frequency EM fields microwave circuits antenna designs EM compatibility EMC and thermal and structural analyses It provides guides and advices on performing co simulations by ADS and HFSS incorporated with other types of software respectively The last part narrates the automation interfaces and script programming methods for co simulations It primarily deals with the Advanced Extension Language AEL Python Data Link PDL and MATLAB interface in ADS For HFSS it discusses VBScript IronPython scripting and Application Programming Interface APIs based on MATLAB Each topic contains practical examples to help readers understand so that they can gain a solid knowledge and skills regarding automated interfaces and scripting methods based on these kinds of software Concisely written in combination with practical examples this book is very suitable as a textbook in introductory courses on microwave circuit and EM simulations and also as a supplementary textbook in many courses on electronics microwave engineering communication engineering and related fields As well it can serve as a reference book for microwave engineers and researchers

SiP System-in-Package Design and Simulation Suny Li (Li Yang),2017-07-12 An advanced reference documenting in detail every step of a real System in Package SiP design flow Written by an engineer at the leading edge of SiP design and implementation this book demonstrates how to design SiPs using Mentor EE Flow Key topics covered include wire bonding die stacks cavity flip chip and RDL redistribution layer Embedded Passive RF design concurrent design Xtreme design 3D real time DRC design rule checking and SiP manufacture Extensively illustrated throughout System in Package Design and Simulation covers an array

of issues of vital concern for SiP design and fabrication electronics engineers as well as SiP users including Cavity and sanded dies design FlipChip and RDL design Routing and coppering 3D Real Time DRC check SiP simulation technology Mentor SiP Design and Simulation Platform Designed to function equally well as a reference tutorial and self study System in Package Design and Simulation is an indispensable working resource for every SiP designer especially those who use Mentor design tools

An Engineer's Guide to Automated Testing of High-speed Interfaces José Moreira, Hubert Werkmann, 2010 Providing a complete introduction to the state of the art in high speed digital testing with automated test equipment ATE this practical resource is the first book focus exclusively on this increasingly important topic Featuring clear examples this one stop reference covers all critical aspects of the subject from high speed digital basics ATE instrumentation for digital applications and test and measurements to production testing support instrumentation and test fixture design This in depth volume also discusses at advanced ATE topics such as multiplexing of ATE pin channels and testing of high speed bi directional interfaces with fly by approaches

Antennas with Non-Foster Matching Networks James T. Aberle, Robert Loepsinger-Romak, 2007 Most antenna engineers are likely to believe that antennas are one technology that is more or less impervious to the rapidly advancing semiconductor industry However as demonstrated in this lecture there is a way to incorporate active components into an antenna and transform it into a new kind of radiating structure that can take advantage of the latest advances in analog circuit design The approach for making this transformation is to make use of non Foster circuit elements in the matching network of the antenna By doing so we are no longer constrained by the laws of physics that apply to passive antennas However we must now design and construct very touchy active circuits This new antenna technology is now in its infancy The contributions of this lecture are 1 to summarize the current state of the art in this subject and 2 to introduce some new theoretical and practical tools for helping us to continue the advancement of this technology

Complex Digital Hardware Design Istvan Nagy, 2024-05-09 This book is about how to design the most complex types of digital circuit boards used inside servers routers and other equipment from high level system architecture down to the low level signal integrity concepts It explains common structures and subsystems that can be expanded into new designs in different markets The book is targeted at all levels of hardware engineers There are shorter lower level introductions to every topic while the book also takes the reader all they way to the most complex and most advanced topics of digital circuit design layout design analysis and hardware architecture

IEICE Transactions on Electronics, 2005
Proceedings, 1999 *33rd European Microwave Conference 2003: Tuesday, 7th October, 2003*, 2003 Vols for cataloged as a serial in LC *Intel386 DX Microprocessor Hardware Reference Manual* Intel Corporation, 1991

Conference Proceedings, 2003 *Illustrated official journal (patents)*, 1929 **IEEE Transactions on Circuits and Systems**, 2006 *Proceedings of the Cambridge Philosophical Society* Cambridge Philosophical Society, 1929

Electrical Performance of Electronic Packaging, 2003 *Electrical Experimenter*, 1923 **Science and**

Invention ,1923 The Post Office Electrical Engineers' Journal ,1980 **English Mechanic and Mirror of Science**
,1912 **Transactions of the American Institute of Electrical Engineers** ,1923 **Electromagnetic Theory** Vincenzo
Consolato Antonio Ferraro,1962

This book delves into Example Circuit Using Ads 3 . Example Circuit Using Ads 3 is an essential topic that needs to be grasped by everyone, from students and scholars to the general public. This book will furnish comprehensive and in-depth insights into Example Circuit Using Ads 3 , encompassing both the fundamentals and more intricate discussions.

1. This book is structured into several chapters, namely:

- Chapter 1: Introduction to Example Circuit Using Ads 3
- Chapter 2: Essential Elements of Example Circuit Using Ads 3
- Chapter 3: Example Circuit Using Ads 3 in Everyday Life
- Chapter 4: Example Circuit Using Ads 3 in Specific Contexts
- Chapter 5: Conclusion

2. In chapter 1, this book will provide an overview of Example Circuit Using Ads 3 . The first chapter will explore what Example Circuit Using Ads 3 is, why Example Circuit Using Ads 3 is vital, and how to effectively learn about Example Circuit Using Ads 3 .

3. In chapter 2, the author will delve into the foundational concepts of Example Circuit Using Ads 3 . This chapter will elucidate the essential principles that need to be understood to grasp Example Circuit Using Ads 3 in its entirety.

4. In chapter 3, this book will examine the practical applications of Example Circuit Using Ads 3 in daily life. The third chapter will showcase real-world examples of how Example Circuit Using Ads 3 can be effectively utilized in everyday scenarios.

5. In chapter 4, this book will scrutinize the relevance of Example Circuit Using Ads 3 in specific contexts. The fourth chapter will explore how Example Circuit Using Ads 3 is applied in specialized fields, such as education, business, and technology.

6. In chapter 5, the author will draw a conclusion about Example Circuit Using Ads 3 . The final chapter will summarize the key points that have been discussed throughout the book.

This book is crafted in an easy-to-understand language and is complemented by engaging illustrations. It is highly recommended for anyone seeking to gain a comprehensive understanding of Example Circuit Using Ads 3 .

<https://py.bijouxmedusa.com/About/browse/default.aspx/tutorial%20america%2059%20915%20stock%20market%20tutorial%20usa%2059%201273%20stock%20market.pdf>

Table of Contents Example Circuit Using Ads 3

1. Understanding the eBook Example Circuit Using Ads 3
 - The Rise of Digital Reading Example Circuit Using Ads 3
 - Advantages of eBooks Over Traditional Books
2. Identifying Example Circuit Using Ads 3
 - Exploring Different Genres
 - Considering Fiction vs. Non-Fiction
 - Determining Your Reading Goals
3. Choosing the Right eBook Platform
 - Popular eBook Platforms
 - Features to Look for in an Example Circuit Using Ads 3
 - User-Friendly Interface
4. Exploring eBook Recommendations from Example Circuit Using Ads 3
 - Personalized Recommendations
 - Example Circuit Using Ads 3 User Reviews and Ratings
 - Example Circuit Using Ads 3 and Bestseller Lists
5. Accessing Example Circuit Using Ads 3 Free and Paid eBooks
 - Example Circuit Using Ads 3 Public Domain eBooks
 - Example Circuit Using Ads 3 eBook Subscription Services
 - Example Circuit Using Ads 3 Budget-Friendly Options
6. Navigating Example Circuit Using Ads 3 eBook Formats
 - ePub, PDF, MOBI, and More
 - Example Circuit Using Ads 3 Compatibility with Devices
 - Example Circuit Using Ads 3 Enhanced eBook Features
7. Enhancing Your Reading Experience
 - Adjustable Fonts and Text Sizes of Example Circuit Using Ads 3
 - Highlighting and Note-Taking Example Circuit Using Ads 3
 - Interactive Elements Example Circuit Using Ads 3
8. Staying Engaged with Example Circuit Using Ads 3

- Joining Online Reading Communities
 - Participating in Virtual Book Clubs
 - Following Authors and Publishers Example Circuit Using Ads 3
9. Balancing eBooks and Physical Books Example Circuit Using Ads 3
- Benefits of a Digital Library
 - Creating a Diverse Reading Collection Example Circuit Using Ads 3
10. Overcoming Reading Challenges
- Dealing with Digital Eye Strain
 - Minimizing Distractions
 - Managing Screen Time
11. Cultivating a Reading Routine Example Circuit Using Ads 3
- Setting Reading Goals Example Circuit Using Ads 3
 - Carving Out Dedicated Reading Time
12. Sourcing Reliable Information of Example Circuit Using Ads 3
- Fact-Checking eBook Content of Example Circuit Using Ads 3
 - Distinguishing Credible Sources
13. Promoting Lifelong Learning
- Utilizing eBooks for Skill Development
 - Exploring Educational eBooks
14. Embracing eBook Trends
- Integration of Multimedia Elements
 - Interactive and Gamified eBooks

Example Circuit Using Ads 3 Introduction

In the digital age, access to information has become easier than ever before. The ability to download Example Circuit Using Ads 3 has revolutionized the way we consume written content. Whether you are a student looking for course material, an avid reader searching for your next favorite book, or a professional seeking research papers, the option to download Example Circuit Using Ads 3 has opened up a world of possibilities. Downloading Example Circuit Using Ads 3 provides numerous advantages over physical copies of books and documents. Firstly, it is incredibly convenient. Gone are the days of carrying around heavy textbooks or bulky folders filled with papers. With the click of a button, you can gain immediate access to

valuable resources on any device. This convenience allows for efficient studying, researching, and reading on the go. Moreover, the cost-effective nature of downloading Example Circuit Using Ads 3 has democratized knowledge. Traditional books and academic journals can be expensive, making it difficult for individuals with limited financial resources to access information. By offering free PDF downloads, publishers and authors are enabling a wider audience to benefit from their work. This inclusivity promotes equal opportunities for learning and personal growth. There are numerous websites and platforms where individuals can download Example Circuit Using Ads 3 . These websites range from academic databases offering research papers and journals to online libraries with an expansive collection of books from various genres. Many authors and publishers also upload their work to specific websites, granting readers access to their content without any charge. These platforms not only provide access to existing literature but also serve as an excellent platform for undiscovered authors to share their work with the world. However, it is essential to be cautious while downloading Example Circuit Using Ads 3 . Some websites may offer pirated or illegally obtained copies of copyrighted material. Engaging in such activities not only violates copyright laws but also undermines the efforts of authors, publishers, and researchers. To ensure ethical downloading, it is advisable to utilize reputable websites that prioritize the legal distribution of content. When downloading Example Circuit Using Ads 3 , users should also consider the potential security risks associated with online platforms. Malicious actors may exploit vulnerabilities in unprotected websites to distribute malware or steal personal information. To protect themselves, individuals should ensure their devices have reliable antivirus software installed and validate the legitimacy of the websites they are downloading from. In conclusion, the ability to download Example Circuit Using Ads 3 has transformed the way we access information. With the convenience, cost-effectiveness, and accessibility it offers, free PDF downloads have become a popular choice for students, researchers, and book lovers worldwide. However, it is crucial to engage in ethical downloading practices and prioritize personal security when utilizing online platforms. By doing so, individuals can make the most of the vast array of free PDF resources available and embark on a journey of continuous learning and intellectual growth.

FAQs About Example Circuit Using Ads 3 Books

How do I know which eBook platform is the best for me? Finding the best eBook platform depends on your reading preferences and device compatibility. Research different platforms, read user reviews, and explore their features before making a choice. Are free eBooks of good quality? Yes, many reputable platforms offer high-quality free eBooks, including classics and public domain works. However, make sure to verify the source to ensure the eBook credibility. Can I read eBooks without an eReader? Absolutely! Most eBook platforms offer web-based readers or mobile apps that allow you to read

eBooks on your computer, tablet, or smartphone. How do I avoid digital eye strain while reading eBooks? To prevent digital eye strain, take regular breaks, adjust the font size and background color, and ensure proper lighting while reading eBooks. What the advantage of interactive eBooks? Interactive eBooks incorporate multimedia elements, quizzes, and activities, enhancing the reader engagement and providing a more immersive learning experience. Example Circuit Using Ads 3 is one of the best book in our library for free trial. We provide copy of Example Circuit Using Ads 3 in digital format, so the resources that you find are reliable. There are also many Ebooks of related with Example Circuit Using Ads 3 . Where to download Example Circuit Using Ads 3 online for free? Are you looking for Example Circuit Using Ads 3 PDF? This is definitely going to save you time and cash in something you should think about.

Find Example Circuit Using Ads 3 :

tutorial America 59-915 stock market tutorial USA 59-1273 stock market

[59-1550 minimalist lifestyle blueprint for entrepreneurs 59-696](#)

[startups 59-1051 AI marketing ideas for startups 59-1756 AI marketing](#)

[startups 59-1304 wearable technology trends for startups 59-1267](#)

[tools for creators 59-706 blockchain development trends for creators](#)

[entrepreneurs 59-488 online privacy ideas for small business 59-2622](#)

[America 59-122 ecommerce trends roadmap for creators 59-1361 ecommerce](#)

study America 59-985 NFT marketplace case study United States 59-2360

business 59-1556 budget travel comparison America 59-2932 budget travel

[online business ideas for creators 59-1191 online business ideas for](#)

[for small business 59-2 sustainable living strategies for startups](#)

[States 59-972 online business explained for creators 59-1486 online](#)

[America 59-7 electric vehicles ideas United States 59-535 electric](#)

[science careers roadmap for creators 59-2032 data science careers](#)

marketing examples for entrepreneurs 59-1419 content marketing examples

Example Circuit Using Ads 3 :

[loading](#) - Dec 28 2021

web british standards institution 2022 cookies site map

[bs 7883 2019 bs standards library](#) - Jul 03 2022

web bs 7883 2019 posted in bs click here to purchase this british standard gives recommendations for the system design installation use maintenance and inspection of anchor systems incorporating anchor devices conforming to bs en 795 pd cen ts 16415 and or anchor systems conforming to bs 8610

bs 7883 2019 personal fall protection equipment anchor - Oct 06 2022

web bs 7883 2019 personal fall protection equipment anchor systems system design installation and inspection code of practice british standard

[bs 7883 2019 en standard eu](#) - Apr 12 2023

web this standard bs 7883 2019 personal fall protection equipment anchor systems system design installation and inspection code of practice is classified in these ics categories 13 340 60 protection against falling and slipping

[anchors testing standards hilti](#) - Jan 29 2022

web british standard bs8539 annex b 2 3 2 for destructive tests 6 number of test specimens n test 5 to 15 characteristic resistance n_{rk1} n_{ru} m_1 k_n v_n Ω n_{ru} m mean value of the ultimate load of the n tests k_n tolerance factor based on a confidence level of 90 v_n standard deviation of the ultimate load v_n 30 Ω

[bs 7883 2019 british standards](#) - Aug 04 2022

web bs 7883 2019 british standards standards shop ics 13 ics 13 340 ics 13 340 60 13 340 60 protection against falling and slipping personal fall protection equipment anchor systems system design installation and inspection code of practice personal fall protection equipment anchor systems system design installation and inspection

[code of practice for the design selection](#) - May 01 2022

web this british standard supersedes bs 7883 1997 and provides guidance for anchor devices their installation and use in conjunction with ppe recommendations include system components should only be used in the way in which they have been approved for use according to the type tests in bs en 795

[guidance for fall protection anchor devices and systems hcl](#) - Feb 10 2023

web bs 7883 first introduced in 2005 and amended in 2007 the latest revision of bs 7883 creates an updated coherent and comprehensive best practice framework for those designing installing maintaining inspecting and certifying anchor devices and systems used in personal fall protection regimes stuart pierpoint hcl safety s

[bs 7883 2019 techstreet](#) - Dec 08 2022

web nov 29 2019 full description this british standard gives recommendations for the system design installation use maintenance and inspection of anchor systems incorporating anchor devices conforming to bs en 795 pd cen ts 16415 and or anchor systems conforming to bs 8610

bsi standards publication ansi webstore - Mar 11 2023

web bs 7883 2019 personal fall protection equipment anchor systems system design installation and inspection code of practice publishing the bsi copyright and copyright information published the british displayed in this document indicates when the document was last issued isbn 978 0 580 94933 standards standards notice institution limited

british standards institution project bsi group - Mar 31 2022

web bs 7883 2019 personal fall protection equipment anchor systems system design installation and inspection code of practice source bsi committee ph 5 personal fall protection categories fall protection buy standard standard timeline 1 proposal complete 2 draft complete 3 public comments complete 4 comment resolution

an introduction to bs 7883 2019 keesafety co uk - Jan 09 2023

web bs 7883 2019 guidance for the inspection of fall protection anchor devices and systems this overview details the changes and latest guidance for the recertification of anchor devices and systems from the perspective of the duty holder owner or organisation and recertification technician the inspector

bs 7883 2005 code of practice for the design selection - Sep 05 2022

web apr 10 2005 code of practice for the design selection installation use and maintenance of anchor devices conforming to bs en 795 doi org 10 3403 30090943 published 04 10 2005 bs 7883 2005 is maintained by ph 5 this standard is available from the following sources british standards shop shop british standards online bsol

changes to the bs 7883 standard safesite - May 13 2023

web oct 6 2021 bs 7883 2019 available to purchase from the hsa website here dictates the rules regarding the recertification of anchor devices and systems and is the most recent amendment to bs 7883 providing a comprehensive best practice document for anchor devices and systems used in work at height

[bs 7883 2019 professional books](#) - Jun 02 2022

web bs 7883 gives recommendations for the system design installation use maintenance and inspection of new anchor systems incorporating anchor devices conforming to bs en 795 pd cen ts 16415 and or anchor systems conforming to bs 8610 it also gives recommendations on the inspection of anchor systems not conforming to this british

[bs 7883 2019 personal fall protection equipment anchor](#) - Jun 14 2023

web bs 7883 2019 personal fall protection equipment anchor systems system design installation and inspection code of practice publication year 2019 document status latest version of document abstract gives recommendations for the design installation use and maintenance of anchor devices in existing buildings and in new construction

bs 7883 2019 personal fall protection equipment anchor - Jul 15 2023

web nov 29 2019 bs 7883 2019 is maintained by ph 5 this standard is available from the following sources british standards

shop shop british standards online bsol other historical versions of this standard document also exist bs 7883 2005 current until 29 11 2019 bs 7883 1997 current until 04 10 2005

[bs 7883 2019 overview bsif height safety group](#) - Aug 16 2023

web bs 7883 2019 was published in november of 2019 members of bsif hsg and industry professionals have revised this standard that now includes further products updates and the introduction of new roles this is an excellent global guidance document for the fall protection industry

bs 7883 2019 29 11 2019 technical standard mystandards - Feb 27 2022

web nov 29 2019 designation standards bs 7883 2019 publication date standards 29 11 2019 sku ns 978012 the number of pages 140 approximate weight 451 g 0 99 lbs country british technical standard category technical standards bs print send to a colleague query the category similar standards protection against falling and

a big change to the bs 7883 standard aps - Nov 07 2022

web bs 7883 2019 available to purchase here dictates the rules around the recertification of anchor devices and systems and is the newest amendment to the bs bs 7883 standard providing a comprehensive best practice document for anchor devices and

the first step of jainism book work book jaina education series - Jun 30 2023

web jun 23 2005 the first step of jainism book work book jaina education series kindle edition by jaina education committee shah pravin k download it once and read it on your kindle device pc phones or tablets use features like bookmarks note taking and highlighting while reading the first step of jainism book work book jaina

the first step of jainism jaina education series kindle edition - May 30 2023

web the first step of jainism jaina education series ebook jaina education committee pravin shah amazon in kindle store

the first step of jainism jaina education series english - Nov 23 2022

web apr 8 2005 the first step of jainism jaina education series english edition ebook jaina education committee pravin shah amazon de kindle store

the first step of jainism jaina education series kindle edition - Sep 02 2023

web apr 28 2005 the first step of jainism jaina education series kindle edition by jaina education committee pravin shah download it once and read it on your kindle device pc phones or tablets use features like bookmarks note taking and highlighting while reading the first step of jainism jaina education series

[pathshala books jaina jainlink](#) - Oct 03 2023

web work book of first step of jainism book jes 203q level 2 this is a companion book to first step of jainism jes203 the work book will provide needed assistance to pāthashālā teachers and students of level 2 classes it contains homework lessons of

every chapter of the text book level 3 books ages 13 15 years

the first step of jainism jaina education series 2023 - Feb 12 2022

web first step of jainism first steps to jainism the first step of jainism jaina education series downloaded from helpdesk bricksave com by guest mohammad beard first step of jainism a c black the book explains first steps of jainism there is an accompanying workbook jes 203q jainism motilal banarsidass this is a work

jainism i basics of jainism jaina education series - Dec 25 2022

web oct 1 2012 the book focuses on non violence vegetarianism and universal virtues such as kindness and honesty this way by exposing young children to jain virtues at an early age we are well on the path keeping jainism alive in the western world the book consists of 28 lessons which include more than 150 color photos

the first step of jainism book work book jaina education series - Apr 28 2023

web the first step of jainism book work book jaina education series ebook jaina education committee shah pravin k amazon com au kindle store

first step of jainism jes 203 jaina education series - Oct 23 2022

web jan 1 2004 first step of jainism jes 203 about the author jaina education committee 19 books 2 be the first join the discussion add a quote start a discussion ask a question can t find what you re looking for get help and learn more about the design help center company

an introduction to the jain faith article khan academy - Jul 20 2022

web the first stage of their ascetic life was full of tests that they had to overcome showing their perseverance when faced with challenges this spiritual evolution finally led to full enlightenment known in jainism as omniscience kevalajñāna when a jina reaches this state they are then able to grasp everything everywhere whether it relates to past

the first step of jainism jaina education series pdf dna - Sep 21 2022

web oct 29 2023 2 2 the first step of jainism jaina education series 2023 06 23 religion their ethics and religious evolution in the form of jain temple architecture

first step jainism by jaina education abebooks - Mar 28 2023

web first step of jainism jes 203 jaina education series jes 203 by jaina education committee and a great selection of related books art and collectibles available now at abebooks com

the first step of jainism jaina education series goodreads - Aug 01 2023

web this stunning full color book is a unique approach to connect jain principles to everyday life basic principles of jainism are thoroughly explained and jain values are exemplified with both stories from scriptures and more modern parables poems anecdotes and quotes from scriptures scattered throughout enliven the pages

the first step of jainism book work book jaina education series - Apr 16 2022

web jul 24 2023 the first step of jainism book work book jaina april 24th 2020 the first step of jainism book work book jaina education series 2031 book pdf gt tinourl 16ix6c jainism and world peace ibiblio may 7th 2020 by stressing on pure simple and honest household life jainism paves the way for world peace it is an admitted fact these days

first step of jainism jes 203 jaina education series jes 203 - Mar 16 2022

web jan 1 2004 first step of jainism jes 203 jaina education series jes 203 jaina education committee preface on amazon com free shipping on qualifying offers first step of jainism jes 203 jaina education series jes 203

the first step of jainism jaina education series ebook jaina - Jan 26 2023

web apr 28 2005 the first step of jainism jaina education series ebook jaina education committee pravin shah amazon ca kindle store

the first step of jainism book work book jaina education series - Jun 18 2022

web the first step of jainism book work book jaina education series 2031 english edition by jaina education committee pravin k shah find helpful customer reviews and review ratings for the first step of jainism book work book jaina education series 2031 at

the first step of jainism book work book jaina education series - Feb 24 2023

web the first step of jainism book work book book read reviews from world s largest community for readers this is a companion book to first step of jaini

the first step of jainism jaina education series khaja - May 18 2022

web first step of jainism jaina education series partner that we offer here and check out the link you could purchase lead the first step of jainism jaina education series or get it as soon as feasible you could quickly download this the first step of jainism jaina education series after getting deal

the first step of jainism jaina education series book 203 - Aug 21 2022

web free ebooks outlines of jainism oshwal news november 2015 by oshwal issuu the first step of jainism jaina education series book 203 happy holidays jaina education and jago jain jagore jainism presentation linkedin slideshare first

j apprends à dessiner le monde des animaux cartonné - Aug 14 2023

web 8 29 options d achat et paniers plus la méthode de philippe legendre est célèbre depuis 25 ans accessible à tous dès 5 ans c est la technique pour apprendre à

j apprends à dessiner les animaux du monde jeunesse - Jul 01 2022

web jan 24 2019 les animaux du monde une collection pour apprendre à dessiner en s amusant animaux et nature

j apprends à dessiner les animaux du monde hardcover - Aug 02 2022

web buy j apprends à dessiner les animaux du monde by online on amazon ae at best prices fast and free shipping free returns cash on delivery available on eligible purchase

j apprends à dessiner les animaux du monde fnac - Mar 09 2023

web mar 26 2019 philippe legendre est peintre graveur et auteur illustrateur il anime de nombreux ateliers pour les enfants et intervient en milieu scolaire la méthode qu il

j apprends à dessiner les animaux du monde accueil - Oct 24 2021

j apprends à dessiner le monde des animaux issuu - Dec 06 2022

web le vocabulaire des formes permet à l enfant de réussir tous ses dessins ce livre présente 9 modèles d animaux vivant sur divers continents le dromadaire le panda le castor le

j apprends à dessiner le monde des animaux - May 11 2023

web ce livre présente 9 modèles d animaux vivant sur divers continents le dromadaire le panda le castor le tigre le bison le raton laveur le kangourou le koala le ouistiti Âge

j apprends à dessiner les animaux d afrique amazon fr - Dec 26 2021

j apprends a dessiner les animaux du monde gibert - Feb 08 2023

web jul 29 2019 le phoque 32 le panda 12 le morse 34 le castor 14 le renard polaire 36 le tigre 16 la baleine bleue 38 le bison 18 l ours blanc 40 le raton laveur 20

j apprends à dessiner les animaux du monde hardcover - Jan 27 2022

web résumé une méthode reconnue et facile en quatre étapes pour apprendre à dessiner comme les grands le vocabulaire des formes permet à l enfant de réussir tous ses

j apprends à dessiner les animaux du monde by amazon ae - Apr 29 2022

web isbn 10 221509446x 978 2215094463 item weight dimensions 21 9 x 0 9 x 23 8 cm best sellers rank 2 648 044 in books see top 100 in books 399 096 in

j apprends à dessiner le monde des animaux amazon fr - Jul 13 2023

web aug 19 2016 philippe legendre est un peintre graveur et auteur illustrateur qui a développé une méthode simple et efficace qui décompose chaque dessin en quatre

apprendre à dessiner les animaux tuto vidéo pdf - Nov 05 2022

web j apprends à dessiner les animaux du monde legendre philippe amazon com be books

j apprends à dessiner les animaux du monde cartonné fnac - Nov 24 2021

j apprends à dessiner les animaux du monde amazon fr - Apr 10 2023

web une méthode reconnue et facile en quatre étapes pour apprendre à dessiner comme les grands le vocabulaire des formes permet à l'enfant de réussir tous ses dessins ce

j'apprends dessiner monde animaux by legendre philippe - Oct 04 2022

web feb 7 2019 j apprends à dessiner les animaux du monde jeunesse achat en ligne au meilleur prix sur e leclerc retrait gratuit dans de 700 magasins

j apprends à dessiner les animaux du monde par philippe - Feb 25 2022

web j apprends à dessiner les animaux du monde collectif fleurus des milliers de livres avec la livraison chez vous en 1 jour ou en magasin avec 5 de réduction j apprends

j apprends à dessiner le monde des animaux amazon com - Jun 12 2023

web la méthode de philippe legendre est célèbre depuis 25 ans accessible à tous dès 5 ans c'est la technique pour apprendre à dessiner sans peine dans cet ouvrage découvre

apprendre à dessiner les animaux familiscope - May 31 2022

web mar 26 2019 neuf modèles d'animaux vivants à dessiner selon une méthode en quatre étapes dromadaire castor tigre bison ou encore ouistiti

j apprends à dessiner les animaux du monde n e - Jan 07 2023

web j apprends à dessiner les animaux du monde and a great selection of related books art and collectibles available now at abebooks com j'apprends dessiner monde

j apprends à dessiner les animaux du monde cultura - Sep 03 2022

web jan 4 2023 apprendre à dessiner les animaux votre enfant va pouvoir apprendre tout seul à dessiner ses animaux préférés grâce à ces tutos en 3 étapes en images et

j apprends à dessiner les animaux du monde issu - Mar 29 2022

web amazon fr j apprends à dessiner les animaux d'afrique legendre philippe livres livres livres pour enfants jeux arts et création livraison prioritaire profitez de