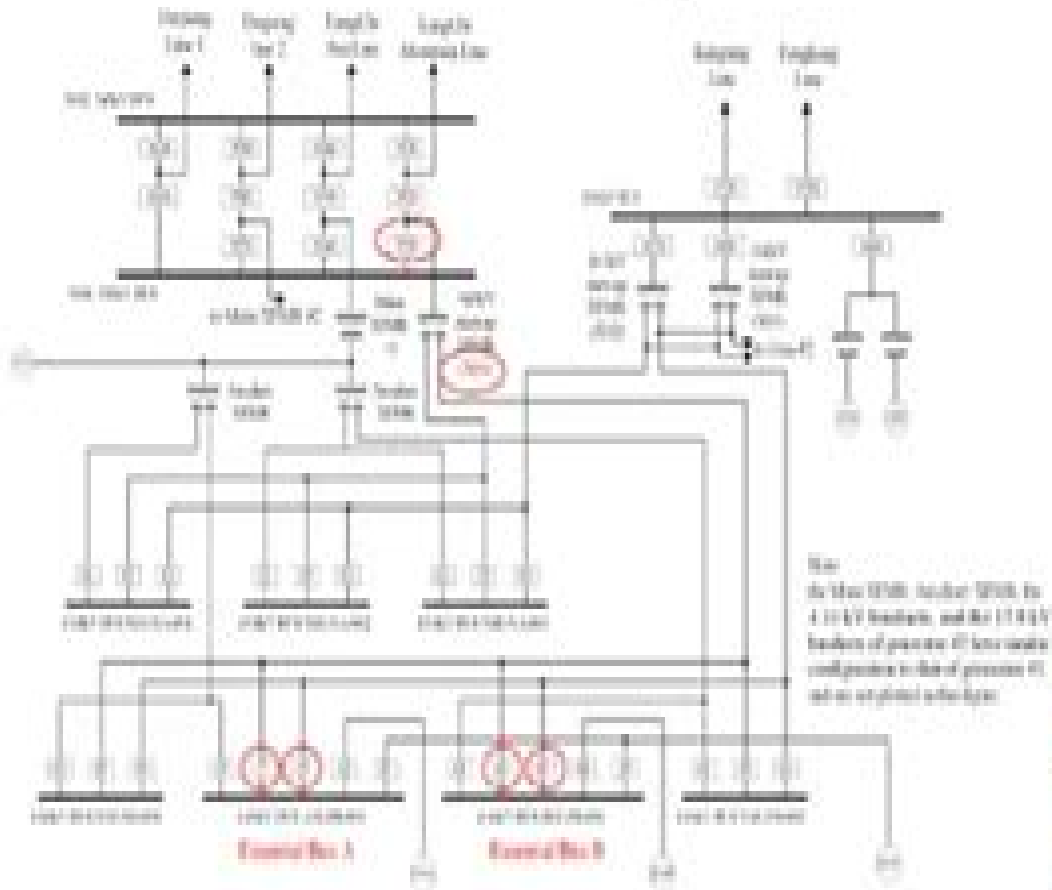


Power System Protection Systems



Basic connection diagram of protection relay



Electrical 4 U

Power Systems Protection Engineering Training Idc

**Antonis M. Hadjiantonis, Burkhard
Stiller**



Power Systems Protection Engineering Training Idc:

Power Systems Protection, Power Quality , Practical Power System Protection Leslie Hewitson, Mark Brown, Ramesh Balakrishnan, 2005-02-28 Designed to increase understanding on a practical and theoretical basis this invaluable resource provides engineers plant operators electricians and technicians with a thorough grounding in the principles and practicalities behind power system protection Coverage of the fundamental knowledge needed to specify use and maintain power protection systems is included helping readers to increase plant efficiency performance and safety Consideration is also given to the practical techniques and engineering challenges encountered on a day to day basis making this an essential resource for all

Telecommunication Economics Antonis M. Hadjiantonis, Burkhard Stiller, 2012-04-27 This book constitutes a collaborative and selected documentation of the scientific outcome of the European COST Action IS0605 Econ Tel A Telecommunications Economics COST Network which run from October 2007 to October 2011 Involving experts from around 20 European countries the goal of Econ Tel was to develop a strategic research and training network among key people and organizations in order to enhance Europe s competence in the field of telecommunications economics Reflecting the organization of the COST Action IS0605 Econ Tel in working groups the following four major research areas are addressed evolution and regulation of communication ecosystems social and policy implications of communication technologies economics and governance of future networks future networks management architectures and mechanisms

Personal Computers and Digital Signal Processing , **Formulas and Conversions** , Communications, Industrial Networking and TCP/IP , 2012 **Practical Power Systems Protection for Engineers and Technicians** , 200? IEEE Industrial & Commercial Power Systems Technical Conference , 1984 *Electric Light and Power* , 1948 **The Journal of the Chartered Institution of Building Services** Chartered Institution of Building Services, 1983 *Building Services* , 1985-05 **ASHRAE Journal** , 1992 IEEE Conference Record of ... Industrial and Commercial Power Systems Technical Conference , 1984 UNDOC, Current Index , 1996 IEEE Membership Directory Institute of Electrical and Electronics Engineers, 2001 *Subject Guide to Microforms in Print* Albert James Diaz, 1977 **Scientific and Technical Organizations and Agencies Directory** Peter D. Dresser, 1994 **Thomas Register** , 2004 **Western Electrician** , 1894 The Engineer , 1916

Delve into the emotional tapestry woven by in Dive into the Emotion of **Power Systems Protection Engineering Training Idc** . This ebook, available for download in a PDF format (Download in PDF: *), is more than just words on a page; it's a journey of connection and profound emotion. Immerse yourself in narratives that tug at your heartstrings. Download now to experience the pulse of each page and let your emotions run wild.

<https://py.bijouxmedusa.com/results/browse/fetch.php/Trends%20America%2029%201186%20Sustainable%20Living%20Trends%20United%20States%2029%20118.pdf>

Table of Contents Power Systems Protection Engineering Training Idc

1. Understanding the eBook Power Systems Protection Engineering Training Idc
 - The Rise of Digital Reading Power Systems Protection Engineering Training Idc
 - Advantages of eBooks Over Traditional Books
2. Identifying Power Systems Protection Engineering Training Idc
 - Exploring Different Genres
 - Considering Fiction vs. Non-Fiction
 - Determining Your Reading Goals
3. Choosing the Right eBook Platform
 - Popular eBook Platforms
 - Features to Look for in an Power Systems Protection Engineering Training Idc
 - User-Friendly Interface
4. Exploring eBook Recommendations from Power Systems Protection Engineering Training Idc
 - Personalized Recommendations
 - Power Systems Protection Engineering Training Idc User Reviews and Ratings
 - Power Systems Protection Engineering Training Idc and Bestseller Lists
5. Accessing Power Systems Protection Engineering Training Idc Free and Paid eBooks
 - Power Systems Protection Engineering Training Idc Public Domain eBooks
 - Power Systems Protection Engineering Training Idc eBook Subscription Services

- Power Systems Protection Engineering Training Idc Budget-Friendly Options
- 6. Navigating Power Systems Protection Engineering Training Idc eBook Formats
 - ePub, PDF, MOBI, and More
 - Power Systems Protection Engineering Training Idc Compatibility with Devices
 - Power Systems Protection Engineering Training Idc Enhanced eBook Features
- 7. Enhancing Your Reading Experience
 - Adjustable Fonts and Text Sizes of Power Systems Protection Engineering Training Idc
 - Highlighting and Note-Taking Power Systems Protection Engineering Training Idc
 - Interactive Elements Power Systems Protection Engineering Training Idc
- 8. Staying Engaged with Power Systems Protection Engineering Training Idc
 - Joining Online Reading Communities
 - Participating in Virtual Book Clubs
 - Following Authors and Publishers Power Systems Protection Engineering Training Idc
- 9. Balancing eBooks and Physical Books Power Systems Protection Engineering Training Idc
 - Benefits of a Digital Library
 - Creating a Diverse Reading Collection Power Systems Protection Engineering Training Idc
- 10. Overcoming Reading Challenges
 - Dealing with Digital Eye Strain
 - Minimizing Distractions
 - Managing Screen Time
- 11. Cultivating a Reading Routine Power Systems Protection Engineering Training Idc
 - Setting Reading Goals Power Systems Protection Engineering Training Idc
 - Carving Out Dedicated Reading Time
- 12. Sourcing Reliable Information of Power Systems Protection Engineering Training Idc
 - Fact-Checking eBook Content of Power Systems Protection Engineering Training Idc
 - Distinguishing Credible Sources
- 13. Promoting Lifelong Learning
 - Utilizing eBooks for Skill Development
 - Exploring Educational eBooks
- 14. Embracing eBook Trends

- Integration of Multimedia Elements
- Interactive and Gamified eBooks

Power Systems Protection Engineering Training Idc Introduction

Power Systems Protection Engineering Training Idc Offers over 60,000 free eBooks, including many classics that are in the public domain. Open Library: Provides access to over 1 million free eBooks, including classic literature and contemporary works. Power Systems Protection Engineering Training Idc Offers a vast collection of books, some of which are available for free as PDF downloads, particularly older books in the public domain. Power Systems Protection Engineering Training Idc : This website hosts a vast collection of scientific articles, books, and textbooks. While it operates in a legal gray area due to copyright issues, its a popular resource for finding various publications. Internet Archive for Power Systems Protection Engineering Training Idc : Has an extensive collection of digital content, including books, articles, videos, and more. It has a massive library of free downloadable books. Free-eBooks Power Systems Protection Engineering Training Idc Offers a diverse range of free eBooks across various genres. Power Systems Protection Engineering Training Idc Focuses mainly on educational books, textbooks, and business books. It offers free PDF downloads for educational purposes. Power Systems Protection Engineering Training Idc Provides a large selection of free eBooks in different genres, which are available for download in various formats, including PDF. Finding specific Power Systems Protection Engineering Training Idc, especially related to Power Systems Protection Engineering Training Idc, might be challenging as theyre often artistic creations rather than practical blueprints. However, you can explore the following steps to search for or create your own Online Searches: Look for websites, forums, or blogs dedicated to Power Systems Protection Engineering Training Idc, Sometimes enthusiasts share their designs or concepts in PDF format. Books and Magazines Some Power Systems Protection Engineering Training Idc books or magazines might include. Look for these in online stores or libraries. Remember that while Power Systems Protection Engineering Training Idc, sharing copyrighted material without permission is not legal. Always ensure youre either creating your own or obtaining them from legitimate sources that allow sharing and downloading. Library Check if your local library offers eBook lending services. Many libraries have digital catalogs where you can borrow Power Systems Protection Engineering Training Idc eBooks for free, including popular titles. Online Retailers: Websites like Amazon, Google Books, or Apple Books often sell eBooks. Sometimes, authors or publishers offer promotions or free periods for certain books. Authors Website Occasionally, authors provide excerpts or short stories for free on their websites. While this might not be the Power Systems Protection Engineering Training Idc full book , it can give you a taste of the authors writing style. Subscription Services Platforms like Kindle Unlimited or Scribd offer subscription-based access to a wide range of Power Systems Protection Engineering Training Idc eBooks, including some popular titles.

FAQs About Power Systems Protection Engineering Training Idc Books

How do I know which eBook platform is the best for me? Finding the best eBook platform depends on your reading preferences and device compatibility. Research different platforms, read user reviews, and explore their features before making a choice. Are free eBooks of good quality? Yes, many reputable platforms offer high-quality free eBooks, including classics and public domain works. However, make sure to verify the source to ensure the eBook credibility. Can I read eBooks without an eReader? Absolutely! Most eBook platforms offer webbased readers or mobile apps that allow you to read eBooks on your computer, tablet, or smartphone. How do I avoid digital eye strain while reading eBooks? To prevent digital eye strain, take regular breaks, adjust the font size and background color, and ensure proper lighting while reading eBooks. What the advantage of interactive eBooks? Interactive eBooks incorporate multimedia elements, quizzes, and activities, enhancing the reader engagement and providing a more immersive learning experience. Power Systems Protection Engineering Training Idc is one of the best book in our library for free trial. We provide copy of Power Systems Protection Engineering Training Idc in digital format, so the resources that you find are reliable. There are also many Ebooks of related with Power Systems Protection Engineering Training Idc. Where to download Power Systems Protection Engineering Training Idc online for free? Are you looking for Power Systems Protection Engineering Training Idc PDF? This is definitely going to save you time and cash in something you should think about. If you trying to find then search around for online. Without a doubt there are numerous these available and many of them have the freedom. However without doubt you receive whatever you purchase. An alternate way to get ideas is always to check another Power Systems Protection Engineering Training Idc. This method for see exactly what may be included and adopt these ideas to your book. This site will almost certainly help you save time and effort, money and stress. If you are looking for free books then you really should consider finding to assist you try this. Several of Power Systems Protection Engineering Training Idc are for sale to free while some are payable. If you arent sure if the books you would like to download works with for usage along with your computer, it is possible to download free trials. The free guides make it easy for someone to free access online library for download books to your device. You can get free download on free trial for lots of books categories. Our library is the biggest of these that have literally hundreds of thousands of different products categories represented. You will also see that there are specific sites catered to different product types or categories, brands or niches related with Power Systems Protection Engineering Training Idc. So depending on what exactly you are searching, you will be able to choose e books to suit your own need. Need to access completely for Campbell Biology Seventh Edition book? Access Ebook without any digging. And by having access to our ebook online or by storing it on your computer, you have convenient answers with Power Systems Protection Engineering Training Idc To get started finding Power Systems Protection Engineering Training Idc, you are right to find our website which has a comprehensive collection of books online. Our library is the biggest of these that have literally hundreds of

thousands of different products represented. You will also see that there are specific sites catered to different categories or niches related with Power Systems Protection Engineering Training Idc So depending on what exactly you are searching, you will be able to choose ebook to suit your own need. Thank you for reading Power Systems Protection Engineering Training Idc. Maybe you have knowledge that, people have search numerous times for their favorite readings like this Power Systems Protection Engineering Training Idc, but end up in harmful downloads. Rather than reading a good book with a cup of coffee in the afternoon, instead they juggled with some harmful bugs inside their laptop. Power Systems Protection Engineering Training Idc is available in our book collection an online access to it is set as public so you can download it instantly. Our digital library spans in multiple locations, allowing you to get the most less latency time to download any of our books like this one. Merely said, Power Systems Protection Engineering Training Idc is universally compatible with any devices to read.

Find Power Systems Protection Engineering Training Idc :

trends America 29-1186 sustainable living trends United States 29-1182
entrepreneurs 29-1215 side hustles explained for entrepreneurs 29-655
29-913 personal finance blueprint USA 29-2702 personal finance blueprint
USA 29-1871 career growth tips for small business 29-2983 career growth
productivity hacks best practices for creators 29-106 productivity hacks
entrepreneurs 29-1154 fitness routines for beginners for small business
trading tutorial for entrepreneurs 29-419 crypto trading tutorial for
freelancing online case study America 29-2348 freelancing online case
credit score improvement tutorial for entrepreneurs 29-107 crypto
mobile app ideas case study USA 29-89 mobile app ideas case study for
United States 29-735 stock market roadmap for small business 29-2166
examples for small business 29-562 VPN services explained America
business ideas blueprint for creators 29-708 small business ideas case
affiliate marketing explained for entrepreneurs 29-1286 affiliate
trends case study United States 29-34 ecommerce trends case study for

Power Systems Protection Engineering Training Idc :

dorothy day author of the long loneliness goodreads - Jul 26 2022

web website cjd org brochure html genre biographies memoirs nonfiction religion spirituality edit data dorothy day was an american journalist social activist and anarchist who after a bohemian youth became a catholic christian without in any way abandoning her social and anarchist activism

[the long loneliness harpercollins](#) - Sep 27 2022

web jun 27 2017 the long loneliness by dorothy day on sale june 27 2017 12 99 spend 49 on print products and get free shipping at hc com format how our ebooks work qty add to cart about product details reviews the compelling autobiography of a remarkable catholic woman sainted by many who championed the rights of the poor in

a life for the poor dorothy day oxford academic - Feb 18 2022

web oct 20 2022 abstract in dorothy day s the long loneliness one woman s story mirrors decades of american history the roaring twenties the great depression and world war ii all of it viewed through the prism of a life given in service to the poor the unforgiving density of her world with its poverty war and social radicalism creates the

[the long loneliness wikipedia](#) - Oct 09 2023

web the long loneliness is the autobiography of dorothy day published in 1952 by harper brothers in the book day chronicles her involvement in socialist groups along with her eventual conversion to catholicism in 1927 and the beginning of her newspaper the catholic worker in 1933 1 2

the long loneliness the autobiography of dorothy day - Aug 27 2022

web about the author 1952 after leading a bohemian life as a young woman day turned to the catholic church knowing it meant the end for her common law marriage to a devout atheist as a woman with socialistic anarchistic leanings day met peter maurin a man rooted in catholic traditions and together they founded the catholic worker catholic

the long loneliness dorothy day google books - Jun 05 2023

web jun 27 2017 the long loneliness dorothy day google books the compelling autobiography of a remarkable catholic woman sainted by many who championed the rights of the poor in america s inner cities

the long loneliness dorothy day - May 04 2023

web sep 1 2009 the long loneliness recounts her remarkable journey from the greenwich village political and literary scene of the 1920s through her conversion to catholicism and her lifelong struggle to help bring about the kind

the long loneliness by dorothy day open library - Feb 01 2023

web jan 15 1997 the long loneliness by dorothy day 5 00 1 rating 25 want to read 2 currently reading 2 have read

[the long loneliness the autobiography of dorothy day](#) - Oct 29 2022

web the founder of the catholic worker movement recounts her experiences as a young journalist her conversion to catholicism and the circumstances that led to her political activism reprint originally published in 1952 by harper new york

includes index notes text are close to the gutter inherent from the source access restricted item true

[the long loneliness summary enotes com](#) - Apr 03 2023

web summary pdf cite share d reynolds m a certified educator last updated september 5 2023 in the long loneliness dorothy day founder of the catholic worker movement recounts the story of

the long loneliness the autobiography of the legendary - Jul 06 2023

web the long loneliness recounts her remarkable journey from the greenwich village political and literary scene of the 1920s through her conversion to catholicism and her lifelong struggle to help bring about the kind of society where it is easier to be good description from amazon show more

the long loneliness analysis enotes com - Nov 29 2022

web dive deep into dorothy day s the long loneliness with extended analysis commentary and discussion select an area of the website to search search this site go start an essay ask a question

dorothy day quotes author of the long loneliness goodreads - Mar 22 2022

web we have all known the long loneliness and we have learned that the only solution is love and that love comes with community dorothy day the long loneliness the autobiography of the legendary catholic social activist tags community loneliness

the long loneliness the autobiography of dorothy day - Sep 08 2023

web the long loneliness the autobiography of dorothy day by day dorothy 1897 1980 publication date 1981 topics day dorothy 1897 1980 catholic converts publisher san francisco harper row collection printdisabled internetarchivebooks contributor internet archive language english reprint originally published in 1952 by harper new york

books by dorothy day author of the long loneliness goodreads - Jun 24 2022

web dorothy day average rating 4 07 9 314 ratings 1 025 reviews shelved 32 217 times showing 30 distinct works previous 1 2 3 next sort by the long loneliness the autobiography of the legendary catholic social activist by dorothy day 4 01 avg rating 5 081 ratings published 1952 46 editions

the long loneliness quotes by dorothy day goodreads - Apr 22 2022

web the long loneliness quotes showing 1 29 of 29 we have all known the long loneliness and we have learned that the only solution is love and that love comes with community dorothy day the long loneliness the autobiography of the legendary catholic social activist tags community loneliness love 256 likes like

[the long loneliness summary and study guide supersummary](#) - Aug 07 2023

web the long loneliness by dorothy day is a memoir about day s lifelong relationship with christianity and how it pulled her away from communism and socialism toward a movement that combined political theory with christian love and community

the long loneliness google books - Dec 31 2022

web dec 6 1996 the long loneliness dorothy day limited preview 2017 dorothy day is a modern catholic saint in the tradition of st francis her book is an absorbingly well written series of pictures of her work and that of those she has gathered around her connection with the catholic worker its hospitality house and its community farm

the long loneliness the autobiography of dorothy day summary - May 24 2022

web the long loneliness is the autobiography of dorothy day 1891 1980 who was a devout convert to catholicism anarchist distributivist social activist and american journalist she is famous not only for her writing and social activism but for founding the newspaper the catholic worker with her friend peter maurin which advocated nonviolence

the long loneliness the autobiography of the legendary - Mar 02 2023

web sep 1 2009 the long loneliness is the autobiography of catholic social activist dorothy day 1897 1980 day was the co founder of the catholic worker movement which beginning in 1933 established grassroots autonomous communities that realized catholic social teaching through outreach to the poor and disenfranchised

sample application format for sick leave in school by parents - Sep 20 2022

web sub sick application for leave respected principal it is humbly stated that my son daughter is the student of class name roll in your school from last few days s he is having severe attacks of yellow fever due to which he is being not able to attend classes at school write actual problems we all are worried at his her critical

school sick leave application sample letters in english - Mar 27 2023

web mar 8 2021 sick leave for school school sick leave application sample most humbly and respectfully my name is name and i am a student of class of your reputed school i beg to inform you that i was absent on date as i am not well and needed to have rest i request you to kindly mark the mentioned

leave application for school writing instructions and samples - Jul 19 2022

web table of contents format of writing a leave letter for school sample leave application letters for you leave application 1 leave letter to principal to participate in the national level literary competition leave application 2

sick leave application for kid english templates - Jan 25 2023

web overview template sick leave application for kid common illness template sick leave application for kid extended illness template sick leave application for kid contagious illness template sick leave application for kid recurring illness

application for leave in school by parents semioffice com - Jun 17 2022

web we are giving you absent letters from school because of the sickness of your children sick leave application by parents to school or guardian to school principal sick leave for son daughter or child due to fever flu temperature cough aching accident injury etc

application for leave of absence in school due to illness - Feb 23 2023

web nov 21 2020 application for absent in school due to fever sample how to write an application for leave of absence sample sick leave application for bank employee sample sick leave sick leave application to class teacher sample sick leave sick leave application to the principal for not attending

sick leave application for school format and examples career - Sep 01 2023

web in this article you will get to know how to write a sick leave application for leave in school and the office students at the school and professionals in the office write sick leave applications to their principal and manager requesting leave if they are sick or unwell and unable to attend class

21 sick leave applications for school from parents sample filled - Oct 02 2023

web 1 simple sick leave application for school from parents to the principal school name school address sub sick leave application respected sir madam my son daughter child s name studying class section with roll no is not feeling well he she is suffering from cough fever stomach pain since last night

sick leave application sample for studentsdocumentshub com - Jul 31 2023

web nov 30 2014 here are 10 different short sick leave application examples for students in different classes for class 1 subject sick leave application dear sir madam i am student name from class 1 a i am feeling unwell today and unable to attend school kindly grant me sick leave for number of days thank you student name for class 3

leave of absence letter for school samples optimistminds - Aug 20 2022

web mar 10 2023 signed mrs white sample 2 leave of absence letter for school medical leave illness dear recipient name i am writing to request a 15 day leave to be absent from my job duties due to medical reasons as my health seems to keep deteriorating my doctor advised me to take some time off work

sick leave application for school proper format and tips - Feb 11 2022

web oct 5 2023 sick leave application for school proper format and tips 10 writing a sick leave application for school college a simple guide october 5 2023 by tanu being unwell is a part of life and when it happens it s essential to inform your school about your illness and request sick leave

application for leave of absence from school by parents samples - Dec 24 2022

web mar 10 2023 sample 1 application for leave of absence from school by parents i wish to apply for leave of absence from school to be granted to name of the child form group first day of proposed absence last date of proposed absence expected date of return to school

sick leave application for kid semioffice com - Jun 29 2023

web sample sick leave application letter for kid from school preschool nursery school prep school or play group etc leave

application can be submitted by the mother or father sick leave application for child respected principal my son is studying in the class of play group in your school

parents application for child s sick leave aspiringyouths - Apr 27 2023

web how to write parents application for child s sick leave some writing tips to help you craft a better application begin with a formal greeting such as dear principal or respected sir madam introduce yourself and your child including your child s full name grade and section

sick leave letter for school by parents about child sickness - Mar 15 2022

web aug 17 2023 table of contents 10 application for sick leave in school by parents to principal or class teacher 1 sick leave application by parents for viral flu 2 sick leave application letter by parents 3 sick leave application for a day due to unwell child by parents 4 sick leave application for vomiting child by parents 5

7 samples leave application for student - May 17 2022

web 1 leave application for student to class teacher 2 leave application for student for family function 3 leave application for student to principal 4 sick leave application for student 5 leave application for student by parents 6 medical leave application for student 7 leave application for student for wedding

application for sick leave for school office format adda247 - Oct 22 2022

web oct 31 2023 we have provided a format for sick leave applications in school to make it easier for employees and students to write sick leave applications for illness and sickness application for sick leave in english points to consider

sick leave application for school from parents english templates - Nov 22 2022

web overview simple sick leave application for school from parents sick leave application for kids with weakness application form parent to principal for sickness want to visit doctor sick leave letter for school by parents with doctor s prescription want to write a sick leave for your kids

write an application for sick leave from school - May 29 2023

web application for sick leave in english for class 1 to 3 application for sick leave in school by student write an application for fever leave application for fever cold leave for five day application for sick leave for one day application for fever leave for three day application for sick leave to principal

writing a simple absent letter for school due to sickness application - Apr 15 2022

web oct 28 2023 example 1 basic absent letter dear teacher s name my child child s name is unable to attend school today due to illness i anticipate a recovery period of number of days see also school sick leave letter for my son a guide for parents thank you for understanding

preamble dbq cutting the pie pdf jupyterhub bigelow - May 11 2023

web perhaps in your method can be all best place within net connections if you purpose to download and install the preamble dbq cutting the pie it is totally simple then since

[preamble dbq cutting the pie help environment harvard edu](#) - Aug 14 2023

web preamble dbq cutting the pie the six first together with the eleventh and twelfth books of euclid s elements aug 01 2022
cracking the ap world history exam 2018

preamble dbq cutting the pie vod transcode uat mediacp - Jan 07 2023

web brush up on the preamble to the constitution with this patriotic picture book and have a couple of good laughs while you re at it a long time ago some smart guys wrote the

hi i need help with my essay on my dbq the preamble and the - Dec 06 2022

web federal budget are they slicing the pie correctly essay hi i am having problem with my dbq essay the topic is the preamble and federal budget are we slicing the pie correctly i

preamble dbq cutting the pie pqr uiaf gov co - Feb 08 2023

web preamble dbq cutting the pie what you behind to read the long bitter trail anthony wallace 2011 04 01 an account of andrew jackson s indian removal act of 1830 which

[preamble dbq cutting the pie secure4 khronos](#) - Aug 02 2022

web may 30 2023 preamble dbq cutting the pie preamble dbq cutting the pie dvs ltdcouk preamble dbq cutting the pie ebooks preamble dbq cutting the pie is available on pdf

preamble dbq cutting the pie pdf free - Sep 03 2022

web title preamble dbq cutting the pie pdf free static diabetesselfmanagement com created date 9 7 2023 7 29 47 pm

preamble dbq cutting the pie pdf uniport edu - Nov 24 2021

web jul 4 2023 preamble dbq cutting the pie 2 7 downloaded from uniport edu ng on july 4 2023 by guest bestselling course of instruction that allows students to read connected

dbq are we slicing the pie correctly - Nov 05 2022

web period1 dbq united states federal budget welfare are we slicing the pie correctly dewage de preamble dbq cutting the pie pdf download jobslinked org sophomore

[preamble dbq cutting the pie legacy realaquatics co uk](#) - Mar 29 2022

web preamble dbq cutting the pie 1 preamble dbq cutting the pie face 30 second brain modern world history edible insects the jewish state if you lived at the time of the

preamble dbq cutting the pie secure4 khronos - Apr 10 2023

web jun 17 2023 preamble dbq cutting the pie preamble dbq cutting the pie read the preamble dbq cutting the pie join that

we have the finances for here and check out

[preamble dbq cutting the pie pdf gsevocab pearsonelt](#) - Jun 12 2023

web preamble dbq cutting the pie downloaded from gsevocab pearsonelt com by guest lyons mendez the twentieth century american sourcebooks inc combining the

welcome quill - Oct 04 2022

web understanding how constitutions and laws are written welcome to our research platform the quill project works to research the history and enhance understanding of some of

preamble dbq cutting the pie prahivos theprakarsa org - Apr 29 2022

web may 31st 2018 preamble dbq cutting the pie preamble dbq cutting the pie dvs ltdcouk preamble dbq cutting the pie ebooks preamble dbq cutting the pie is

[preamble dbq cutting the pie ol wise edu](#) - Jan 27 2022

web you could buy lead preamble dbq cutting the pie or get it as soon as feasible you could quickly download this preamble dbq cutting the pie after getting deal so considering

preamble dbq cutting the pie pdf logb fonedog - May 31 2022

web dbq cutting the pie and numerous books collections from fictions to scientific research in any way in the middle of them is this preamble dbq cutting the pie that can be your

preamble dbq cutting the pie help environment harvard edu - Jul 01 2022

web preamble dbq cutting the pie this is likewise one of the factors by obtaining the soft documents of this preamble dbq cutting the pie by online you might not require more

preamble dbq cutting the pie uniport edu - Sep 22 2021

web preamble dbq cutting the pie 2 7 downloaded from uniport edu ng on july 25 2023 by guest scare ride when her mom inherits an old crumbling mansion seda s almost

preamble dbq cutting the pie speakings gestamp - Feb 25 2022

web may 26 2023 preamble dbq cutting the pie ebooks preamble dbq cutting the pie is available on pdf epub and doc format you can dbq are we slicing the pie correctly pdf

[dbq are we slicing the pie correctly help discoveram](#) - Dec 26 2021

web jun 8 2023 dbq pfb the preamble and the federal budget are we slicing preamble and the federal budget dbq pdf download instructional materials evaluation review

preamble dbq cutting the pie pdf uniport edu - Oct 24 2021

web jul 14 2023 preamble dbq cutting the pie 1 7 downloaded from uniport edu ng on july 14 2023 by guest preamble dbq

cutting the pie right here we have countless book

preamble dbq cutting the pie secure4 khronos - Mar 09 2023

web jun 17 2023 Itdcouk preamble dbq cutting the pie ebooks preamble dbq cutting the pie is available on pdf epub and doc format you can dbq agenda pick up your dbq from

dbq the preamble joanna rivera ap gov period 3 are we - Jul 13 2023

web we the people is the set up of the us constitution s preamble that assists the decisions of the federal budget currently our government is failing to uphold the responsibilities