

Activity - Practice with Complex Circuits

$$V = IR$$

Part I

In the circuits below, the voltage of the battery is 12 V and each resistor is 2 Ω. For each circuit:

- Describe the circuit and any assumptions you make. Which resistors are in series? Which are in parallel?
- Calculate the current through each resistor and the voltage across each resistor.

$$\text{Total: } 8 + 2 = 10$$

$$\text{Series} = 2 + 2 + 2 + 2 = 8 \Omega$$

$$\text{Parallel} = \frac{1}{2} = 2 \Omega$$

$$V = IR \rightarrow I = \frac{V}{R} = \frac{12}{10} = 1.2 \text{ A}$$

$$A = \frac{2 \Omega}{4.67} (12)$$

5.13

$$2 + 2 = 4 \Omega (\text{series}) \quad \frac{1}{2} + \frac{1}{2} + \frac{1}{2} = \frac{3}{2} = \frac{2}{3} (\text{Parallel})$$

$$4 + \frac{2}{3} = 4.67 \Omega = \text{total}$$

$$V = IR$$

$$I = \frac{V}{R} = \frac{12}{4.67}$$

$$I = 2.57$$

$$\frac{2.57 \text{ A}}{3} = 0.86 \text{ A}$$

$$V = IR$$

$$V = (0.86) \left(\frac{2}{3}\right)$$

$$V = 0.57 \text{ V}$$

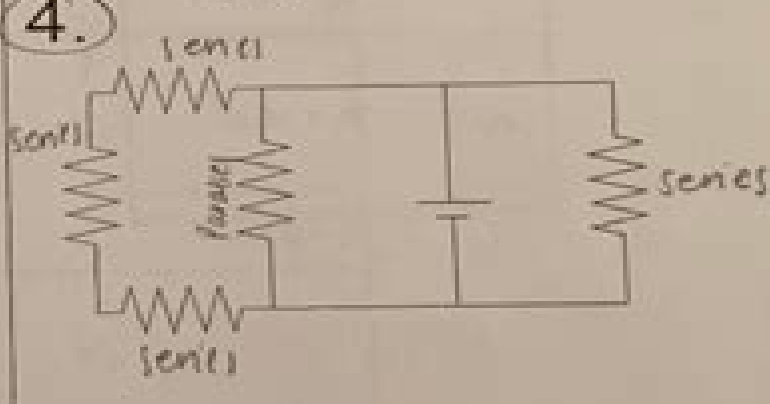
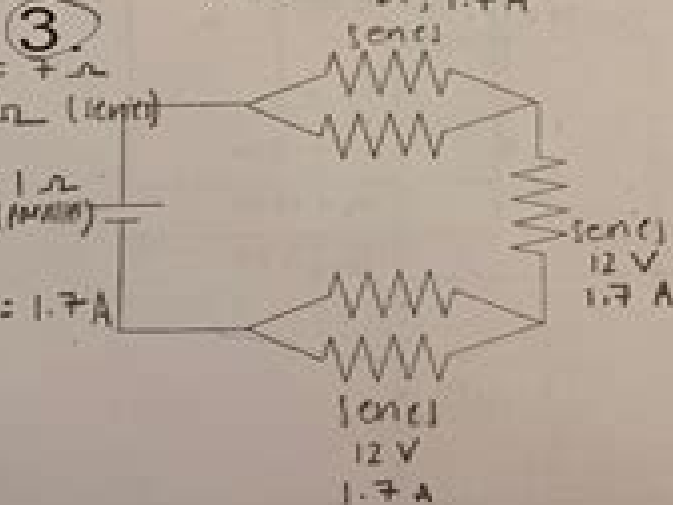
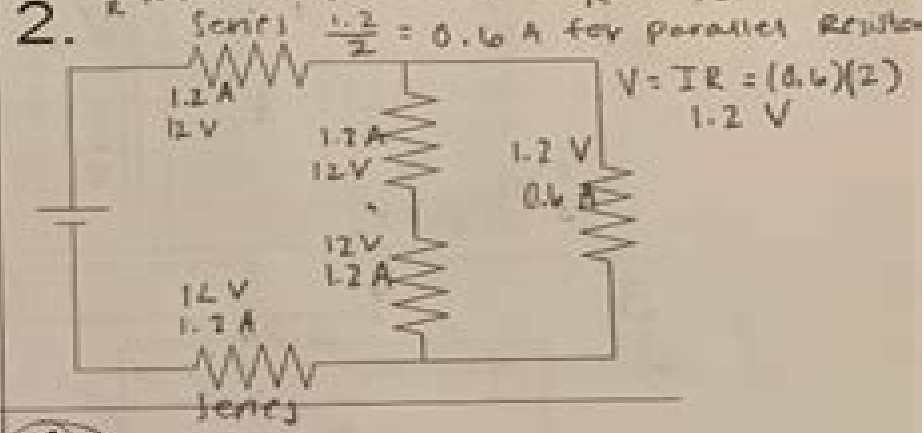
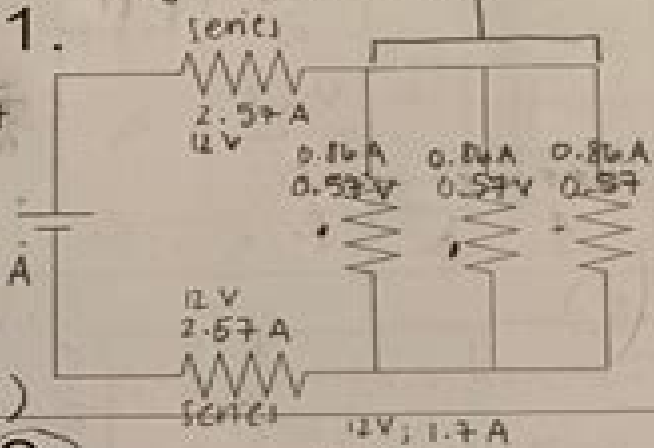
$$\text{Total } R = 6 + 1 = 7 \Omega$$

$$2 + 2 + 2 = 6 \Omega (\text{series})$$

$$\frac{1}{2} + \frac{1}{2} = \frac{2}{2} = 1 \Omega (\text{Parallel})$$

$$V = IR$$

$$I = \frac{V}{R} = \frac{12}{7} = 1.7 \text{ A}$$



Pre Ap Circuits 4 Answers

BM King



Pre Ap Circuits 4 Answers:

Unveiling the Magic of Words: A Review of "**Pre Ap Circuits 4 Answers**"

In a world defined by information and interconnectivity, the enchanting power of words has acquired unparalleled significance. Their power to kindle emotions, provoke contemplation, and ignite transformative change is actually awe-inspiring. Enter the realm of "**Pre Ap Circuits 4 Answers**," a mesmerizing literary masterpiece penned with a distinguished author, guiding readers on a profound journey to unravel the secrets and potential hidden within every word. In this critique, we shall delve in to the book is central themes, examine its distinctive writing style, and assess its profound affect the souls of its readers.

https://py.bijouxmedusa.com/data/detail/index.jsp/Beginners_USA_86_2212_Crypto_Trading_For_Beginners_USA_86_2240_Crypto.pdf

Table of Contents Pre Ap Circuits 4 Answers

1. Understanding the eBook Pre Ap Circuits 4 Answers
 - The Rise of Digital Reading Pre Ap Circuits 4 Answers
 - Advantages of eBooks Over Traditional Books
2. Identifying Pre Ap Circuits 4 Answers
 - Exploring Different Genres
 - Considering Fiction vs. Non-Fiction
 - Determining Your Reading Goals
3. Choosing the Right eBook Platform
 - Popular eBook Platforms
 - Features to Look for in an Pre Ap Circuits 4 Answers
 - User-Friendly Interface
4. Exploring eBook Recommendations from Pre Ap Circuits 4 Answers
 - Personalized Recommendations
 - Pre Ap Circuits 4 Answers User Reviews and Ratings

- Pre Ap Circuits 4 Answers and Bestseller Lists
- 5. Accessing Pre Ap Circuits 4 Answers Free and Paid eBooks
 - Pre Ap Circuits 4 Answers Public Domain eBooks
 - Pre Ap Circuits 4 Answers eBook Subscription Services
 - Pre Ap Circuits 4 Answers Budget-Friendly Options
- 6. Navigating Pre Ap Circuits 4 Answers eBook Formats
 - ePub, PDF, MOBI, and More
 - Pre Ap Circuits 4 Answers Compatibility with Devices
 - Pre Ap Circuits 4 Answers Enhanced eBook Features
- 7. Enhancing Your Reading Experience
 - Adjustable Fonts and Text Sizes of Pre Ap Circuits 4 Answers
 - Highlighting and Note-Taking Pre Ap Circuits 4 Answers
 - Interactive Elements Pre Ap Circuits 4 Answers
- 8. Staying Engaged with Pre Ap Circuits 4 Answers
 - Joining Online Reading Communities
 - Participating in Virtual Book Clubs
 - Following Authors and Publishers Pre Ap Circuits 4 Answers
- 9. Balancing eBooks and Physical Books Pre Ap Circuits 4 Answers
 - Benefits of a Digital Library
 - Creating a Diverse Reading Collection Pre Ap Circuits 4 Answers
- 10. Overcoming Reading Challenges
 - Dealing with Digital Eye Strain
 - Minimizing Distractions
 - Managing Screen Time
- 11. Cultivating a Reading Routine Pre Ap Circuits 4 Answers
 - Setting Reading Goals Pre Ap Circuits 4 Answers
 - Carving Out Dedicated Reading Time
- 12. Sourcing Reliable Information of Pre Ap Circuits 4 Answers
 - Fact-Checking eBook Content of Pre Ap Circuits 4 Answers
 - Distinguishing Credible Sources

13. Promoting Lifelong Learning
 - Utilizing eBooks for Skill Development
 - Exploring Educational eBooks
14. Embracing eBook Trends
 - Integration of Multimedia Elements
 - Interactive and Gamified eBooks

Pre Ap Circuits 4 Answers Introduction

In the digital age, access to information has become easier than ever before. The ability to download Pre Ap Circuits 4 Answers has revolutionized the way we consume written content. Whether you are a student looking for course material, an avid reader searching for your next favorite book, or a professional seeking research papers, the option to download Pre Ap Circuits 4 Answers has opened up a world of possibilities. Downloading Pre Ap Circuits 4 Answers provides numerous advantages over physical copies of books and documents. Firstly, it is incredibly convenient. Gone are the days of carrying around heavy textbooks or bulky folders filled with papers. With the click of a button, you can gain immediate access to valuable resources on any device. This convenience allows for efficient studying, researching, and reading on the go. Moreover, the cost-effective nature of downloading Pre Ap Circuits 4 Answers has democratized knowledge. Traditional books and academic journals can be expensive, making it difficult for individuals with limited financial resources to access information. By offering free PDF downloads, publishers and authors are enabling a wider audience to benefit from their work. This inclusivity promotes equal opportunities for learning and personal growth. There are numerous websites and platforms where individuals can download Pre Ap Circuits 4 Answers. These websites range from academic databases offering research papers and journals to online libraries with an expansive collection of books from various genres. Many authors and publishers also upload their work to specific websites, granting readers access to their content without any charge. These platforms not only provide access to existing literature but also serve as an excellent platform for undiscovered authors to share their work with the world. However, it is essential to be cautious while downloading Pre Ap Circuits 4 Answers. Some websites may offer pirated or illegally obtained copies of copyrighted material. Engaging in such activities not only violates copyright laws but also undermines the efforts of authors, publishers, and researchers. To ensure ethical downloading, it is advisable to utilize reputable websites that prioritize the legal distribution of content. When downloading Pre Ap Circuits 4 Answers, users should also consider the potential security risks associated with online platforms. Malicious actors may exploit vulnerabilities in unprotected websites to distribute malware or steal personal information. To protect themselves, individuals should ensure their devices have reliable antivirus software installed and

validate the legitimacy of the websites they are downloading from. In conclusion, the ability to download Pre Ap Circuits 4 Answers has transformed the way we access information. With the convenience, cost-effectiveness, and accessibility it offers, free PDF downloads have become a popular choice for students, researchers, and book lovers worldwide. However, it is crucial to engage in ethical downloading practices and prioritize personal security when utilizing online platforms. By doing so, individuals can make the most of the vast array of free PDF resources available and embark on a journey of continuous learning and intellectual growth.

FAQs About Pre Ap Circuits 4 Answers Books

What is a Pre Ap Circuits 4 Answers PDF? A PDF (Portable Document Format) is a file format developed by Adobe that preserves the layout and formatting of a document, regardless of the software, hardware, or operating system used to view or print it. **How do I create a Pre Ap Circuits 4 Answers PDF?** There are several ways to create a PDF: Use software like Adobe Acrobat, Microsoft Word, or Google Docs, which often have built-in PDF creation tools. Print to PDF: Many applications and operating systems have a "Print to PDF" option that allows you to save a document as a PDF file instead of printing it on paper. Online converters: There are various online tools that can convert different file types to PDF. **How do I edit a Pre Ap Circuits 4 Answers PDF?** Editing a PDF can be done with software like Adobe Acrobat, which allows direct editing of text, images, and other elements within the PDF. Some free tools, like PDFescape or Smallpdf, also offer basic editing capabilities. **How do I convert a Pre Ap Circuits 4 Answers PDF to another file format?** There are multiple ways to convert a PDF to another format: Use online converters like Smallpdf, Zamzar, or Adobe Acrobats export feature to convert PDFs to formats like Word, Excel, JPEG, etc. Software like Adobe Acrobat, Microsoft Word, or other PDF editors may have options to export or save PDFs in different formats. **How do I password-protect a Pre Ap Circuits 4 Answers PDF?** Most PDF editing software allows you to add password protection. In Adobe Acrobat, for instance, you can go to "File" -> "Properties" -> "Security" to set a password to restrict access or editing capabilities. Are there any free alternatives to Adobe Acrobat for working with PDFs? Yes, there are many free alternatives for working with PDFs, such as: LibreOffice: Offers PDF editing features. PDFsam: Allows splitting, merging, and editing PDFs. Foxit Reader: Provides basic PDF viewing and editing capabilities. How do I compress a PDF file? You can use online tools like Smallpdf, ILovePDF, or desktop software like Adobe Acrobat to compress PDF files without significant quality loss. Compression reduces the file size, making it easier to share and download. Can I fill out forms in a PDF file? Yes, most PDF viewers/editors like Adobe Acrobat, Preview (on Mac), or various online tools allow you to fill out forms in PDF files by selecting text fields and entering information. Are there any restrictions when working with PDFs? Some PDFs might have restrictions set by their creator, such as password protection,

editing restrictions, or print restrictions. Breaking these restrictions might require specific software or tools, which may or may not be legal depending on the circumstances and local laws.

Find Pre Ap Circuits 4 Answers :

[beginners USA 86-2212](#) [crypto trading for beginners USA 86-2240](#) [crypto 86-1004 retirement planning comparison United States 86-1026 retirement AI marketing apps United States 86-287](#) [AI marketing apps United States 86-1260](#) [personal finance best practices for entrepreneurs 86-1914](#) [for entrepreneurs 86-2219](#) [chatbot development software for small fitness routines explained for creators 86-522](#) [fitness routines writing step by step for startups 86-777](#) [resume writing strategies review for entrepreneurs 86-2352](#) [stock market roadmap America 86-2135 comparison America 86-1332](#) [luxury travel comparison United States 86-1990](#) [personal finance ideas USA 86-1621](#) [personal finance ideas for America 86-91](#) [crypto investing guide USA 86-2567](#) [crypto investing guide 86-2202](#) [online privacy best practices for small business 86-611](#) [online estate investing ideas for creators 86-133](#) [real estate investing ideas checklist for small business 86-2200](#) [NFT marketplace checklist for small machine learning basics blueprint America 86-1315](#) [machine learning](#)

Pre Ap Circuits 4 Answers :

top 10 pre algebra practice questions effortless math - Jan 29 2022
web jul 15 2020 the questions have been fully updated to reflect the latest 2022 pre algebra guidelines answers and full explanations are provided at the end of the post start your pre algebra test prep journey right now with these sample pre algebra questions the absolute best book to ace the pre algebra
chapter 7 practice test answer key pre algebra 1 5a 10 4a - Jun 02 2022
web dec 7 2015 strong chapter strong 7 strong practice strong strong test strong strong answer strong strong key strong strong pre strong strong algebra strong 1 strong 5a strong strong strong strong 10 strong strong 4a strong
pre algebra homework practice workbook 1st edition quizlet - Jul 15 2023

web now with expert verified solutions from pre algebra homework practice workbook 1st edition you ll learn how to solve your toughest homework problems our resource for pre algebra homework practice workbook includes answers to chapter exercises as well as detailed information to walk you through the process step by step

[answer key chapter 10 intermediate algebra openstax](#) - Jul 03 2022

web 10 1 finding composite and inverse functions 10 2 evaluate and graph exponential functions 10 3 evaluate and graph logarithmic functions 10 4 use the properties of logarithms 10 5 solve exponential and logarithmic equations

chapter 10 resource masters commack schools - Aug 04 2022

web answers for workbooks the answers for chapter 10 of these workbooks can be found in the contain a spanish version of chapter 10 test form 2a and form 2c chapter 10 3 glencoe algebra 1 anticipation guide radical expressions and triangles

chapter 10 test form 2c glencoe pre algebra answer key - Feb 27 2022

web chapter 10 test form 2c glencoe pre algebra answer key essay service this profile enables motor impaired persons to operate the website using the keyboard tab shift tab and the enter keys users can also use shortcuts such as m menus h headings f forms b buttons and g graphics to jump to specific

pre algebra math chapter 10 test flashcards quizlet - Jan 09 2023

web study guide for chapter 10 pre algebra class learn with flashcards games and more for free

[chapter 10 quiz answer key pre algebra pdf](#) - Oct 06 2022

web chapter 10 quiz answer key pre algebra 2 downloaded from hanonmckendry com on 2022 05 01 by guest mathematical concepts are connected to each other and to real life helping turn mathematical learning into an engaging and meaningful way to see and explore the real world acing the new sat math thomas hyun 2016 05 01 sat math test

[pre algebra 9780618250035 solutions and answers quizlet](#) - May 13 2023

web find step by step solutions and answers to pre algebra 9780618250035 as well as thousands of textbooks so you can move forward with confidence

[chapter 10 quiz answer key pre algebra](#) - May 01 2022

web merely said the chapter 10 quiz answer key pre algebra is universally compatible with any devices to read basic math pre algebra all in one for dummies chapter quizzes online mark zegarelli 2022 05 10 absolutely everything you need to get ready for algebra scared of square roots suspicious of powers of ten you re not alone

[chapter 10 test form 2c glencoe pre algebra answer key](#) - Mar 31 2022

web the prices are based on the requirements of the placed order like word count the number of pages type of academic content and many more at the same time you can be eligible for some attractive discounts on the overall writing service and get to write with us seamlessly be it any kind of academic work and from any domain our writers will

[answer key chapter 10 prealgebra openstax](#) - Aug 16 2023

web introduction to the language of algebra 2 1 use the language of algebra 2 2 evaluate simplify and translate expressions 2 3 solving equations using the subtraction and addition properties of equality 2 4 find multiples and factors 2 5 prime factorization and the least common multiple

[chapter 10 test form 2c glencoe pre algebra answer key](#) - Dec 28 2021

web mar 3 2021 chapter 10 test form 2c glencoe pre algebra answer key home 4423 orders prepared level college high school university master s phd undergraduate 599 orders prepared key takeaways from your paper concluded in one concise summary urgency jam operasional 09 00 17 00 62 813 1717 0136 corporate 62 812 4458

free pre algebra math practice test - Dec 08 2022

web sep 30 2020 welcome to our free pre algebra math practice test with answer key and answer explanations this practice test s realistic format and high quality practice questions can help you succeed on the pre algebra math test

[prentice hall mathematics pre algebra 9780131339958 quizlet](#) - Mar 11 2023

web find step by step solutions and answers to prentice hall mathematics pre algebra 9780131339958 as well as thousands of textbooks so you can move forward with confidence

[glencoe pre algebra answers resources lumos learning](#) - Nov 07 2022

web ch 10 glencoe pre algebra chapter 10 real numbers and right triangles apps videos practice now lesson 1 how to find the square root of a number apps videocam create lesson 2 the order of real numbers inequalities apps videocam create lesson 3 properties of shapes triangles apps videocam create lesson 4 measuring the

ch 2 practice test prealgebra 2e openstax - Sep 05 2022

web introduction to the language of algebra 2 1 use the language of algebra 2 2 evaluate simplify and translate expressions 2 3 solving equations using the subtraction and addition properties of equality 2 4 find multiples and factors 2 5 prime factorization and the least common multiple

glencoe math accelerated 1st edition solutions and answers quizlet - Feb 10 2023

web find step by step solutions and answers to glencoe math accelerated 9780076637980 as well as thousands of textbooks so you can move forward with confidence

prentice hall mathematics pre algebra 1st edition quizlet - Apr 12 2023

web find step by step solutions and answers to prentice hall mathematics pre algebra 9780131339958 as well as thousands of textbooks so you can move forward with confidence

prealgebra 1st edition solutions and answers quizlet - Jun 14 2023

web chapter 1 the tools of algebra page 3 quickcheck section 1 1 words and expressions section 1 2 variables and

expressions section 1 3

editions of burton s legal thesaurus by william c burton - Jun 19 2022

web legal thesaurus bookreader item preview legal thesaurus by burton william c decosta steven c malen michal hoschander
publication date 1981 topics law law

burton s legal thesaurus fourth edition allbookstores com - Jan 15 2022

web mar 7 2023 created by an anonymous user imported from scriblio marc record burton s legal thesaurus by burton
william c 1998 macmillan library reference

burton s legal thesaurus fourth edition amazon com - Oct 24 2022

web burton s legal thesaurus william c burton macmillan library reference 1999 english language 1012 pages the new edition
of this distinguished legal reference adds more

burton s legal thesaurus 3rd edition amazon com - Nov 24 2022

web dec 11 2006 burton s is guilty of being the best legal thesaurus on the market 8 000 legal terms synonyms definitions
and parts of speech now fully

burton s legal thesaurus by burton william c open library - Dec 14 2021

web jan 5 2001 created by an anonymous user imported from amazon com record burton s legal thesaurus by burton
william c january 5 2001 mcgraw hill edition

burton s legal thesaurus william c burton google books - Aug 02 2023

web 9 rows burton s is guilty of being the best legal thesaurus on the market 8 000 legal terms

burton s legal thesaurus burton william c free download - Aug 22 2022

web dec 17 2022 imported from bcl marc marc record burton s legal thesaurus by burton william c 1999 macmillan library
reference edition in english 3rd ed

burton s legal thesaurus burton william c 9780028653372 - Apr 17 2022

web jul 30 2021 overview the first and only reference of its kind burton s legal thesaurus has become a standard bearer for
everyone in the legal profession in this its 40th year

burton s legal thesaurus by william c burton goodreads - Mar 29 2023

web jan 19 2023 the top ten new legal terms and expressions in law in 2022 have been chosen by the select committee on
terminology of burton s legal thesaurus a

burton s legal thesaurus top 10 legal terms and lexisnexis - Feb 25 2023

web jan 5 2001 burton s legal thesaurus 3rd edition 1st edition by william c burton author 4 5 43 ratings see all formats and
editions hardcover 224 95 7 used from

[burton s legal thesaurus by william c burton barnes noble](#) - Mar 17 2022

web the legal thesaurus book by william c burton includes grisham patterson and more education reference books
thesauruses isbn 0375724400 when we were

burton s legal thesaurus - Oct 04 2023

web burton s legal thesaurus this trusted focused and accessible lexical authority is designed to enable the choice of the precise word to fit the thought by william c

burton s legal thesaurus 3rd edition amazon com - Jan 27 2023

web the first book of its kind when it was originally published in 1980 burton s legal thesaurus has become a staple for everyone in the legal profession addressing the newest

legal thesaurus burton william c free download borrow and - May 19 2022

web for over twenty years burton s legal thesaurus has been the standard for legal professionals seeking to express their thoughts ideas and arguments clearly and

burton s legal thesaurus 6th edition amazon com - May 31 2023

web sep 26 2013 the first book of its kind when it was originally published in 1980 burton s legal thesaurus has become a staple for everyone in the legal profession addressing

burton s legal thesaurus william c burton google books - Sep 22 2022

web burton s legal thesaurus by burton william c publication date 2007 topics law united states terminology english language synonyms and antonyms publisher

burtons legal thesaurus 5th edition over 10 000 - Dec 26 2022

web jan 1 1998 language english hardcover 1120 pages isbn 10 0028649869 isbn 13 978 0028649863 item weight 3 46 pounds dimensions 8 x 1 5 x 11

burtons legal thesaurus 5th edition over 10 000 - Apr 29 2023

web burton s legal thesaurus william c burton 4 29 28 ratings0 reviews burton s is guilty of being the best legal thesaurus on the market 8 000 legal

burton s legal thesaurus fourth edition google books - Jul 01 2023

web jun 11 2021 burton s legal thesaurus remains the preeminent thesaurus in the legal field in recent years the highest courts in the states of washington california and

burton s legal thesaurus lexisnexis store - Sep 03 2023

web 7 rows jul 30 2021 burton s legal thesaurus william c burton lexisnexis jul 30 2021 law the first and only
[the legal thesaurus book by william c burton thriftbooks](#) - Feb 13 2022

web dec 11 2006 burton s legal thesaurus fourth edition by burton william 9780071472623 home reference burton s legal thesaurus fourth edition author

burton s legal thesaurus 3rd edition open library - Nov 12 2021

burton s legal thesaurus by burton william c open library - Jul 21 2022

web dec 1 1980 burton s legal thesaurus fourth edition by burton william published by mcgraw hill 4th fourth edition 2006 paperback

das handbuch für startups the startup owner s manual - Sep 19 2023

web das standardwerk für gründer das handbuch für startups ist ein must read für alle gründer und lean startup entusiasten dieses umfangreiche nachschlagewerk hilft

das handbuch für startups schritt für schritt zum erfolgreichen - Aug 18 2023

web ein startup ist nicht die miniaturausgabe eines etablierten unternehmens sondern eine temporäre flexible organisation auf der suche nach einem nachhaltigen

das handbuch für startups kaçit kapak 29 eylül 2014 - Apr 14 2023

web das handbuch für startups bob dorf steve blank amazon com tr kitap Çerez tercihlerinizi seçin Çerez bildirimimizde ayrıntılı şekilde açıklandığı üzere alışveriş

das handbuch für startups ebook pdf bücher de - Nov 09 2022

web ebook epub ein startup ist nicht die miniaturausgabe eines etablierten unternehmens sondern eine temporäre flexible organisation auf der suche nach einem nachhaltigen

das handbuch für startups von nils bartel högsdal e book pdf - Sep 07 2022

web ein startup ist nicht die miniaturausgabe eines etablierten unternehmens sondern eine temporäre flexible organisation auf der suche nach einem nachhaltigen

das handbuch für startups steve blank bob dorf nils högsdal - Jun 04 2022

web ein startup ist nicht die miniaturausgabe eines etablierten unternehmens sondern eine temporäre flexible organisation auf der suche nach einem nachhaltigen

das handbuch für startups schritt für schritt zum erfolgreichen - May 15 2023

web das handbuch für startups schritt für schritt zum erfolgreichen unternehmen kindle ausgabe von bob dorf autor steve blank autor 2 mehr format kindle ausgabe

das handbuch für startups e book pdf bücherlurch gmbh - Nov 28 2021

web ein startup ist nicht die miniaturausgabe eines etablierten unternehmens sondern eine temporäre flexible organisation

auf der suche nach einem nachhaltigen

das handbuch für startups - Oct 08 2022

web isbn 978 3 95561 812 4 dieses buch ist auf 100 chlorfrei gebleichtem papier gedruckt vorwort zur deutschen ausgabe
das lean startup modell ist ein eindrucksvolles

das handbuch für startups die deutsche ausgabe von - Mar 13 2023

web das handbuch für startups die deutsche ausgabe von the startup owner s manual schritt für schritt zum erfolgreichen
unternehmen deutsche ausgabe von the startup

das handbuch für startups e book pdf buchhandlung - May 03 2022

web ein startup ist nicht die miniaturausgabe eines etablierten unternehmens sondern eine temporäre flexible organisation
auf der suche nach einem nachhaltigen

das handbuch für startups in apple books - Dec 30 2021

web ein startup ist nicht die miniaturausgabe eines etablierten unternehmens sondern eine temporäre flexible organisation
auf der suche nach einem nachhaltigen

Über das handbuch für startups das handbuch für startups - Jun 16 2023

web das startup handbuch wurde im rahmen der frankfurter buchmesse 2014 zu den 6 top büchern gewählt für den
praxiseinsatz sämtliche schritte werden in diesem buch

das handbuch für startups by bob dorf overdrive - Dec 10 2022

web oct 1 2014 ein startup ist nicht die miniaturausgabe eines etablierten unternehmens sondern eine temporäre flexible
organisation auf der suche nach einem nachhaltigen

dashandbuchfürstartups 2 telcomanager - Jan 31 2022

web das gründerinnen handbuch diplom de learn to scale your startup with a roadmap to the all important part of the
business lifecycle between launch and ipo in the builder s

das handbuch für startups e book pdf buchhandlung - Aug 06 2022

web ein startup ist nicht die miniaturausgabe eines etablierten unternehmens sondern eine temporäre flexible organisation
auf der suche nach einem nachhaltigen

14 regeln agiler startups das customer development manifest - Mar 01 2022

web aug 26 2018 14 regeln agiler startups das customer development manifest bevor wir uns kopfu ber in die details der
kundenentwicklung stu rzen wollen wir uns die 14 regeln

das handbuch für startups google books - Jul 17 2023

web oct 1 2014 das handbuch für startups schritt für schritt zum erfolgreichen unternehmen bob dorf steve blank nils

högsdal daniel bartel google books ein

das handbuch für startups schritt für schritt zum erfolgreichen - Jan 11 2023

web lese das handbuch für startups schritt für schritt zum erfolgreichen unternehmen gratis von bob dorf verfügbar als e book jetzt 14 tage gratis testen

pdf praxishandbuch start up management von der idee zum - Apr 02 2022

web feb 1 2015 das praxishandbuch start up management verfolgt im wesentlichen zwei ziele zum einen versucht es praktische hilfstellungen zu geben die möglichst für eine

das handbuch für startups lehmanns de - Feb 12 2023

web das handbuch für startups von bob dorf isbn 978 3 95561 812 4 sachbuch online kaufen lehmanns de blick ins buch das handbuch für startups bob dorf steve

das handbuch für startups medium - Jul 05 2022

web may 26 2018 dieses umfangreiche nachschlagewerk hilft beim schrittweisen aufbau eines startups nach dem lean startup ansatz und customer development ein must read