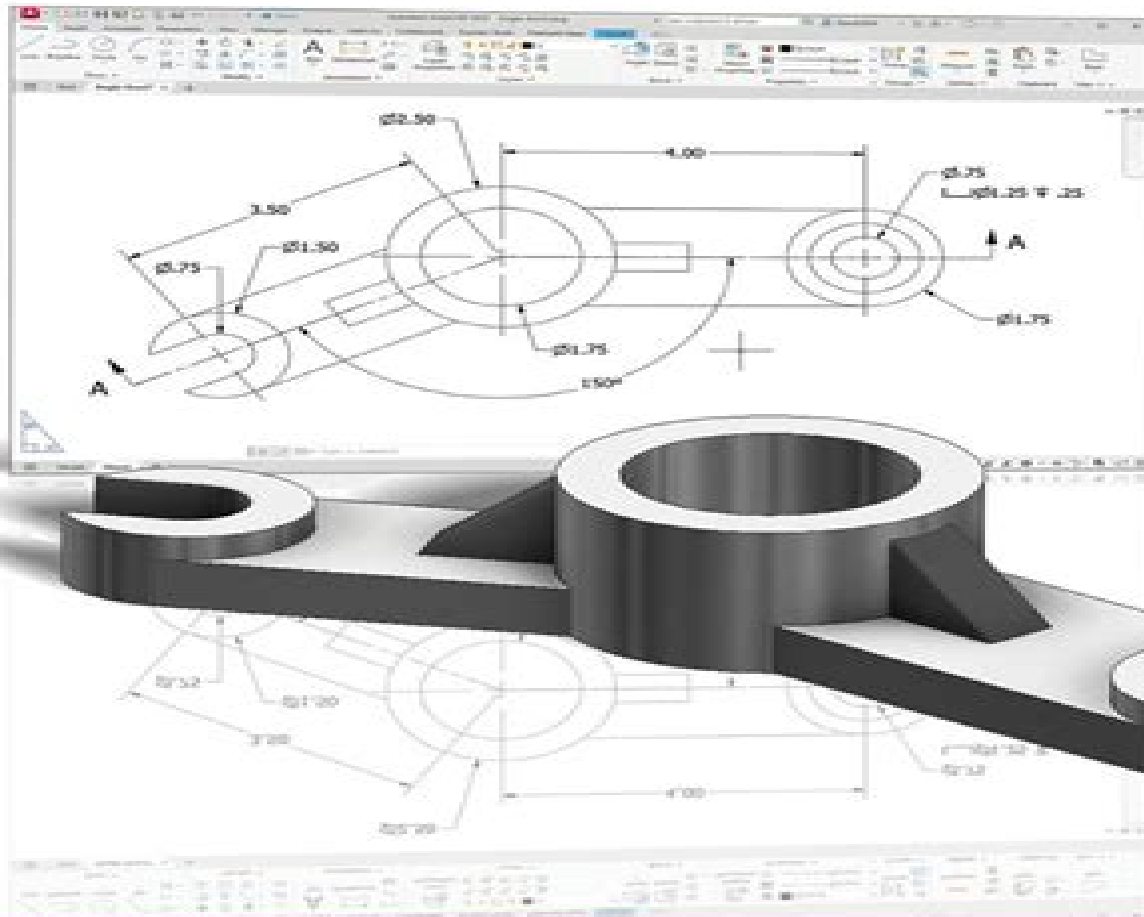


Principles and Practice

An Integrated Approach to
Engineering Graphics and AutoCAD 2025



Randy H. Shih

Principles And Practice Sdc Publications

Mike Jess



Principles And Practice Sdc Publications:

Principles and Practice, Engineering Graphics Shih,2007 **AutoCAD 2023 Tutorial First Level 2D Fundamentals** Randy Shih,2022 The primary goal of AutoCAD 2023 Tutorial First Level 2D Fundamentals is to introduce the aspects of Computer Aided Design and Drafting CADD This text is intended to be used as a training guide for students and professionals This text covers AutoCAD 2023 and the lessons proceed in a pedagogical fashion to guide you from constructing basic shapes to making multiview drawings This textbook contains a series of twelve tutorial style lessons designed to introduce beginning CAD users to AutoCAD 2023 It takes a hands on exercise intensive approach to all the important 2D CAD techniques and concepts This text is also helpful to AutoCAD users upgrading from a previous release of the software The new improvements and key enhancements of the software are incorporated into the lessons The 2D CAD techniques and concepts discussed in this text are also designed to serve as the foundation to the more advanced parametric feature based CAD packages such as Autodesk Inventor The basic premise of this book is that the more designs you create using AutoCAD 2023 the better you learn the software With this in mind each lesson introduces a new set of commands and concepts building on previous lessons This book is intended to help readers establish a good basis for exploring and growing in the exciting field of Computer Aided Engineering Video Training Included with every new copy of AutoCAD 2023 Tutorial First Level 2D Fundamentals is access to extensive video training There are forty six videos with more than five hours of training in total This video training parallels the exercises found in the text and is designed to be watched first before following the instructions in the book However the videos do more than just provide you with click by click instructions Author Luke Jumper also includes a brief discussion of each tool as well as rich insight into why and how the tools are used Luke isn t just telling you what to do he s showing and explaining to you how to go through the exercises while providing clear descriptions of the entire process It s like having him there guiding you through the book These videos will provide you with a wealth of information and bring the text to life They are also an invaluable resource for people who learn best through a visual experience These videos deliver a comprehensive overview of the 2D tools found in AutoCAD and perfectly complement and reinforce the exercises in the book SDC Magazine System Development Corporation, Santa Monica, Calif,1967 **AutoCAD 2021 Tutorial First Level 2D Fundamentals** Randy Shih,2020-06-10 The primary goal of AutoCAD 2021 Tutorial First Level 2D Fundamentals is to introduce the aspects of Computer Aided Design and Drafting CADD This text is intended to be used as a training guide for students and professionals This text covers AutoCAD 2021 and the lessons proceed in a pedagogical fashion to guide you from constructing basic shapes to making multiview drawings This textbook contains a series of eleven tutorial style lessons designed to introduce beginning CAD users to AutoCAD 2021 It takes a hands on exercise intensive approach to all the important 2D CAD techniques and concepts This text is also helpful to AutoCAD users upgrading from a previous release of the software The new improvements and key enhancements of the

software are incorporated into the lessons The 2D CAD techniques and concepts discussed in this text are also designed to serve as the foundation to the more advanced parametric feature based CAD packages such as Autodesk Inventor The basic premise of this book is that the more designs you create using AutoCAD 2021 the better you learn the software With this in mind each lesson introduces a new set of commands and concepts building on previous lessons This book is intended to help readers establish a good basis for exploring and growing in the exciting field of Computer Aided Engineering Video Training Included with every new copy of AutoCAD 2021 Tutorial First Level 2D Fundamentals is access to extensive video training The video training parallels the exercises found in the text and is designed to be watched first before following the instructions in the book However the videos do more than just provide you with click by click instructions Author Luke Jumper also includes a brief discussion of each tool as well as rich insight into why and how the tools are used Luke isn't just telling you what to do he's showing and explaining to you how to go through the exercises while providing clear descriptions of the entire process It's like having him there guiding you through the book These videos will provide you with a wealth of information and bring the text to life They are also an invaluable resource for people who learn best through a visual experience These videos deliver a comprehensive overview of the 2D tools found in AutoCAD and perfectly complement and reinforce the exercises in the book

A Concise Introduction to Engineering Graphics Including Worksheet Series A Sixth Edition Timothy Sexton, 2019-07 A Concise Introduction to Engineering Graphics is a focused book designed to give you a solid understanding of how to create and read engineering drawings It consists of thirteen chapters that cover all the fundamentals of engineering graphics Included with your purchase of A Concise Introduction to Engineering Graphics is a free digital copy of Technical Graphics and video lectures This book is unique in its ability to help you quickly gain a strong foundation in engineering graphics covering a breadth of related topics while providing you with hands on worksheets to practice the principles described in the book The bonus digital copy of Technical Graphics is an exhaustive resource and allows you to further explore specific engineering graphics topics in greater detail A Concise Introduction to Engineering Graphics is 274 pages in length and includes 40 exercise sheets The exercise sheets both challenge you and allow you to practice the topics covered in the text

[Official Guide to Certified SOLIDWORKS Associate Exams: CSWA, CSWA-SD, CSWA-S, CSWA-AM \(SOLIDWORKS 2020 - 2023\)](#) David C. Planchard, 2023-07 This book is written to assist you with passing the SOLIDWORKS associate level exams It provides you with detailed information and exercises that will aid you in passing the following exams Certified SOLIDWORKS Associate CSWA Certified SOLIDWORKS Associate Sustainable Design CSWA SD Certified SOLIDWORKS Associate Simulation CSWA S and the Certified SOLIDWORKS Associate Additive Manufacturing CSWA AM exam There are three goals for this book The primary goal of this book is not only to help you pass the CSWA CSWA SD CSWA S and CSWA AM exams but also to ensure that you understand and comprehend the concepts and implementation details of the four certification processes The second goal is to provide the most comprehensive coverage of

CSWA CSWA SD CSWA S and CSWA AM exam related topics available without too much coverage of topics not on the exam

The third and ultimate goal is to get you from where you are today to the point that you can confidently pass the CSWA CSWA SD CSWA S and CSWA AM exams CSWA Exam The CSWA certification indicates a foundation in and apprentice knowledge of 3D CAD design and engineering practices and principles The intended audience for this section of the book is anyone trying to take and pass the CSWA exam with a minimum of 6 9 months of SOLIDWORKS experience and basic knowledge of engineering fundamentals and practices SOLIDWORKS recommends that you review their SOLIDWORKS Tutorials on Parts Assemblies and Drawings as a prerequisite and have at least 45 hours of classroom time learning SOLIDWORKS or using SOLIDWORKS with basic engineering design principles and practices CSWA SD Exam The Certified SOLIDWORKS Associate Sustainable Design CSWA SD certification indicates a foundation in and apprentice knowledge of demonstrating an understanding in the principles of environmental assessment and sustainable design This section of the book is intended for anyone interested in Sustainable design as well as life cycle assessment and trying to take and pass the CSWA SD exam Although no hands on usage of SOLIDWORKS is required for the CSWA SD certification exam it is a good idea to review the SOLIDWORKS SustainabilityXpress and SOLIDWORKS Sustainability tutorials inside of SOLIDWORKS to better understand the actual workflow The CSWA SD is based off the SOLIDWORKS Sustainable Design Guide that incorporates concepts including sustainability environmental assessment and life cycle impact assessment CSWA S Exam The Certified SOLIDWORKS Associate Simulation CSWA S certification indicates a foundation in and apprentice knowledge of demonstrating an understanding in the principles of stress analysis and the Finite Element Method FEM The CSWA S section of the book is for anyone trying to take and pass the CSWA S with a minimum of 6 9 months of SOLIDWORKS experience and knowledge in the following areas Engineering Mechanics Statics Strength of Materials Finite Element Method Finite Element Analysis Theory Applied concepts in SOLIDWORKS Simulation namely Static Analysis Solid Shell and Beam elements Connections and Applying loads and boundary conditions and interpreting results The purpose of this section in the book is NOT to educate a new or intermediate user on SOLIDWORKS Simulation but to cover and to inform you on the types of questions layout and what to expect when taking the CSWA S exam CSWA AM Exam The Certified SOLIDWORKS Associate Additive Manufacturing CSWA AM certification indicates a foundation in and apprentice knowledge of today s 3D printing technology and market The intended audience for this section of the book is anyone trying to take and pass the CSWA AM exam and an interest in Additive Manufacturing The CSWA AM exam is meant to be taken after the completion of the 10 part learning path located on MySOLIDWORKS com The CSWA AM exam fundamentally covers two 3D printing technologies Fused Filament Fabrication FFF and STereoLithography SLA There are a few questions on Selective Laser Sintering SLS technology and available software based printing aids

Designing with SOLIDWORKS 2025 Michael Rider, Focuses on applying SOLIDWORKS as a design tool Design intent and engineering principles are discussed and applied throughout the

book Combines practical tutorials with real world end of chapter problems Includes an introduction to SOLIDWORKS SimulationXpress Contains numerous useful appendices This edition features additional end of chapter problems Designing with SOLIDWORKS 2025 is a thoughtfully crafted guide that presents you with a basic introduction to engineering design while simultaneously providing you with a strong foundation using SOLIDWORKS This textbook goes beyond merely teaching the functionalities of SOLIDWORKS 2025 it underscores the pivotal role of SOLIDWORKS in modern engineering and design making it an essential skill for aspiring engineers and designers The author s approach balances technical proficiency with design theory ensuring students not only master the software but also understand the engineering principles underlying their designs This blend of practical skills and theoretical knowledge prepares students for real world challenges in engineering and design With exercises concluding each chapter students can practice and solidify their understanding Above all this text is designed to help you expand your creative talents and communicate your ideas through the graphics language The book begins with a foundational introduction to SOLIDWORKS suitable for beginners yet insightful for seasoned users Subsequent chapters delve into creating 3D parts assemblies and understanding assembly drawings with a dedicated chapter on SOLIDWORKS SimulationXpress for an introduction to finite element analysis Learning SOLIDWORKS through this textbook is not just about mastering a software tool it s about embracing the future of digital design and engineering As industries increasingly rely on digital design and virtual simulations proficiency in SOLIDWORKS equips you with the skills needed to thrive in a rapidly evolving job market The book s blend of practical skills and theoretical knowledge prepares you for real world challenges fostering innovation and problem solving skills

Why Choose This Book In depth Coverage Detailed exploration of SOLIDWORKS 2025 s features and capabilities from basic sketching to simulations Practical Tutorials Step by step tutorials that cater to both new learners and experienced users emphasizing engineering design intent Comprehensive Learning Integration of fundamental engineering principles with software skills enhancing understanding and application Real World Applications End of chapter problems rooted in practical scenarios bridging the gap between theory and practice Accessible Learning Clear engaging writing style that simplifies complex concepts making them accessible to a wide range of learners Classroom Friendly Format Designed for classroom use with assignments and problems suitable for classroom discussions Updated Content The latest features and tools of SOLIDWORKS 2025 are explored keeping the content current and relevant Resourceful Appendices Quick reference materials to save time and enhance learning efficiency

Analysis of Machine Elements Using SOLIDWORKS Simulation 2022 Shahin S. Nudehi, John R. Steffen, 2022 Analysis of Machine Elements Using SOLIDWORKS Simulation 2022 is written primarily for first time SOLIDWORKS Simulation 2022 users who wish to understand finite element analysis capabilities applicable to stress analysis of mechanical elements The focus of examples is on problems commonly found in introductory undergraduate Design of Machine Elements or similarly named courses In order to be compatible with most machine design textbooks this text begins with problems that can be solved with

a basic understanding of mechanics of materials Problem types quickly migrate to include states of stress found in more specialized situations common to a design of mechanical elements course Paralleling this progression of problem types each chapter introduces new software concepts and capabilities Many examples are accompanied by problem solutions based on use of classical equations for stress determination Unlike many step by step user guides that only list a succession of steps which if followed correctly lead to successful solution of a problem this text attempts to provide insight into why each step is performed This approach amplifies two fundamental tenets of this text The first is that a better understanding of course topics related to stress determination is realized when classical methods and finite element solutions are considered together The second tenet is that finite element solutions should always be verified by checking whether by classical stress equations or experimentation Each chapter begins with a list of learning objectives related to specific capabilities of the SOLIDWORKS Simulation program introduced in that chapter Most software capabilities are repeated in subsequent examples so that users gain familiarity with their purpose and are capable of using them in future problems All end of chapter problems are accompanied by evaluation check sheets to facilitate grading assignments

Principles and Practice (Pk W/Autocad 2011 and 13 Month Access Code) Shih,2010

Designing with SOLIDWORKS 2026 Michael Rider, Guides you in applying SOLIDWORKS as a true design tool Threads design intent and core engineering principles through every chapter Blends practical tutorials with real world end of chapter challenges Introduces SOLIDWORKS SimulationXpress for foundational FEA skills Includes convenient reference appendices This edition features a new chapter on additional construction features

Designing with SOLIDWORKS 2026 is a thoughtfully crafted guide that presents you with a basic introduction to engineering design while simultaneously providing you with a strong foundation using SOLIDWORKS This textbook goes beyond merely teaching the functionalities of SOLIDWORKS 2026 it underscores the pivotal role of SOLIDWORKS in modern engineering and design making it an essential skill for aspiring engineers and designers The author s approach balances technical proficiency with design theory ensuring students not only master the software but also understand the engineering principles underlying their designs This blend of practical skills and theoretical knowledge prepares students for real world challenges in engineering and design With exercises concluding each chapter students can practice and solidify their understanding Above all this text is designed to help you expand your creative talents and communicate your ideas through the graphics language The book begins with a foundational introduction to SOLIDWORKS suitable for beginners yet insightful for seasoned users Subsequent chapters delve into creating 3D parts assemblies and understanding assembly drawings with a dedicated chapter on SOLIDWORKS SimulationXpress for an introduction to finite element analysis Learning SOLIDWORKS through this textbook is not just about mastering a software tool it s about embracing the future of digital design and engineering As industries increasingly rely on digital design and virtual simulations proficiency in SOLIDWORKS equips you with the skills needed to thrive in a rapidly evolving job market The book

s blend of practical skills and theoretical knowledge prepares you for real world challenges fostering innovation and problem solving skills Why Choose This Book In depth Coverage Detailed exploration of SOLIDWORKS 2026 s features and capabilities from basic sketching to simulations Practical Tutorials Step by step tutorials that cater to both new learners and experienced users emphasizing engineering design intent Comprehensive Learning Integration of fundamental engineering principles with software skills enhancing understanding and application Real World Applications End of chapter problems rooted in practical scenarios bridging the gap between theory and practice Accessible Learning Clear engaging writing style that simplifies complex concepts making them accessible to a wide range of learners Classroom Friendly Format Designed for classroom use with assignments and problems suitable for classroom discussions Updated Content The latest features and tools of SOLIDWORKS 2026 are explored keeping the content current and relevant Resourceful Appendices Quick reference materials to save time and enhance learning efficiency Table of Contents 1 Getting Started 2 Sketch Commands 3 Extruded Boss Base 4 Revolved Boss Base 5 Patterned and Mirrored Features 6 Dimensioning 7 Parametric Modeling using Equations 8 Assemblies and Subassemblies 9 Assembly Drawing 10 Tolerancing and GD T 11 Introduction to Finite Element Analysis 12 Additional Construction Features Appendices Principles and Practice, Engr Graphics Shih, **Designing with SOLIDWORKS 2024** Michael Rider, 2024 Focuses on applying SOLIDWORKS as a design tool Design intent and engineering principles are discussed and applied throughout the book Combines practical tutorials with real world end of chapter problems Includes an introduction to SOLIDWORKS SimulationXpress Contains numerous useful appendices Designing with SOLIDWORKS 2024 is a thoughtfully crafted guide that presents you with a basic introduction to engineering design while simultaneously providing you with a strong foundation using SOLIDWORKS This textbook goes beyond merely teaching the functionalities of SOLIDWORKS 2024 it underscores the pivotal role of SOLIDWORKS in modern engineering and design making it an essential skill for aspiring engineers and designers The author s approach balances technical proficiency with design theory ensuring students not only master the software but also understand the engineering principles underlying their designs This blend of practical skills and theoretical knowledge prepares students for real world challenges in engineering and design With exercises concluding each chapter students can practice and solidify their understanding Above all this text is designed to help you expand your creative talents and communicate your ideas through the graphics language The book begins with a foundational introduction to SOLIDWORKS suitable for beginners yet insightful for seasoned users Subsequent chapters delve into creating 3D parts assemblies and understanding assembly drawings with a dedicated chapter on SOLIDWORKS SimulationXpress for an introduction to finite element analysis Learning SOLIDWORKS through this textbook is not just about mastering a software tool it s about embracing the future of digital design and engineering As industries increasingly rely on digital design and virtual simulations proficiency in SOLIDWORKS equips you with the skills needed to thrive in a rapidly evolving job market The book s blend of practical skills and theoretical knowledge prepares you for real

world challenges fostering innovation and problem solving skills Why Choose This Book In depth Coverage Detailed exploration of SOLIDWORKS 2024 s features and capabilities from basic sketching to simulations Practical Tutorials Step by step tutorials that cater to both new learners and experienced users emphasizing engineering design intent Comprehensive Learning Integration of fundamental engineering principles with software skills enhancing understanding and application Real World Applications End of chapter problems rooted in practical scenarios bridging the gap between theory and practice Accessible Learning Clear engaging writing style that simplifies complex concepts making them accessible to a wide range of learners Classroom Friendly Format Designed for classroom use with assignments and problems suitable for classroom discussions Updated Content The latest features and tools of SOLIDWORKS 2024 are explored keeping the content current and relevant Resourceful Appendices Quick reference materials to save time and enhance learning efficiency

Proceedings, 1999

SketchUp 2013 for Interior Designers Daniel John Stine, 2013 Trimble SketchUp formerly Google SketchUp is an all purpose 3D modeling tool The program is primarily developed around architectural design but it can be used to model just about anything It is an easy way to quickly communicate your design ideas to clients or prospective employers Not only can you create great still images SketchUp also is able to produce walkthrough videos The tutorials will introduce you to using SketchUp to create 3D models for interior design Several pieces of furniture are modeled The process is broken down into the fundamental concepts of 2D line work 3D extraction applying materials and printing For a little inspiration this book has several real world SketchUp project images throughout Also a real world project is provided to explore and it is employed in the book to develop a walkthrough animation Rather than covering any one feature or workflow in excruciating detail this book aims to highlight many topics typically encountered in practice Many of the tutorials build upon each other so you have a better understanding of how everything works and you finish with a greater sense of confidence In addition to pure SketchUp tutorials which comprises most of the text you will also enjoy these extended topics Introduction to LayOut an application which comes with SketchUp Pro Manufacturer specific paint colors and wallcoverings Manufacturer specific furniture Manufacture specific flooring Photorealistic rendering using V Ray for SketchUp Working with AutoCAD DWG files Working with Revit including how to bring SketchUp models into Revit This book has been written with the assumption that you have no prior experience using Trimble SketchUp With this book you will be able to describe and apply many of the fundamental principles needed to develop compelling SketchUp models Although the book is primarily written with a classroom setting in mind most individuals will be able to work through it on their own and benefit from the tips and tricks presented

AutoCAD 2008 Tutorial - Second Level Randy H. Shih, 2007 This textbook contains a series of eleven tutorial style lessons designed to introduce students to AutoCAD 2008 s 3D modeling functions Table of Contents 1 Getting Started 2 User Coordinate System UCS and the Z axis 3 3D Wireframe Modeling 4 UCS Viewports and Wireframe Modeling 5 3D Surface Modeling 6 Solid Modeling Constructive Solid Geometry 7 Regions Extrude and Solid Modeling 8 Multiview

Drawings from 3D Models 9 Symmetrical Features in Designs 10 Advanced Modeling Tools and Techniques 11 Conceptual Design Tools and Techniques

Principles and Practice An Integrated Approach to Engineering Graphics and AutoCAD 2026 Randy Shih, Unifies engineering graphics with AutoCAD 2026 instruction into one book Uses a tutorial style with numerous exercises and review questions Designed for classroom use Covers the AutoCAD Certified User Exam

Principles and Practices An Integrated Approach to Engineering Graphics and AutoCAD 2026 combines an introduction to AutoCAD 2026 with a comprehensive coverage of engineering graphics principles By adopting this textbook you will no longer need to adopt separate CAD and engineering graphics books for your course Not only will this unified approach give your course a smoother flow your students will also save money on their textbooks What s more the tutorial exercises in this text cover the performance tasks found on the AutoCAD 2026 Certified User Examination The primary goal of Principles and Practices An Integrated Approach to Engineering Graphics and AutoCAD 2026 is to introduce the aspects of engineering graphics with the use of modern Computer Aided Design Drafting software AutoCAD 2026 This text is intended to be used as a training guide for students and professionals The chapters in the text proceed in a pedagogical fashion to guide you from constructing basic shapes to making complete sets of engineering drawings This text takes a hands on exercise intensive approach to all the important concepts of Engineering Graphics as well as in depth discussions of CAD techniques This textbook contains a series of thirteen chapters with detailed step by step tutorial style lessons designed to introduce beginning CAD users to the graphic language used in all branches of technical industry The CAD techniques and concepts discussed in the text are also designed to serve as the foundation to the more advanced parametric feature based CAD packages such as Autodesk Inventor After completing this text your students will be prepared to pass the AutoCAD Certified User Examination Certified User Reference Guides located at the front of the book and in each chapter show where these performance tasks are covered

DHEW publication HSM 73 - 9149, 1973 USA Department of Health, Education, and Welfare,1973 Publishers, Distributors, & Wholesalers of the United States ,2002 **Technical Publication Series** ,1995 *Bulletin of the New York Public Library* New York Public Library,1923 Includes its Report 1896 19

Decoding **Principles And Practice Sdc Publications**: Revealing the Captivating Potential of Verbal Expression

In a time characterized by interconnectedness and an insatiable thirst for knowledge, the captivating potential of verbal expression has emerged as a formidable force. Its power to evoke sentiments, stimulate introspection, and incite profound transformations is genuinely awe-inspiring. Within the pages of "**Principles And Practice Sdc Publications**," a mesmerizing literary creation penned by way of a celebrated wordsmith, readers set about an enlightening odyssey, unraveling the intricate significance of language and its enduring affect our lives. In this appraisal, we shall explore the book is central themes, evaluate its distinctive writing style, and gauge its pervasive influence on the hearts and minds of its readership.

<https://py.bijouxmedusa.com/book/virtual-library/index.jsp/civil%20engineering%20handbook%20chandola.pdf>

Table of Contents Principles And Practice Sdc Publications

1. Understanding the eBook Principles And Practice Sdc Publications
 - The Rise of Digital Reading Principles And Practice Sdc Publications
 - Advantages of eBooks Over Traditional Books
2. Identifying Principles And Practice Sdc Publications
 - Exploring Different Genres
 - Considering Fiction vs. Non-Fiction
 - Determining Your Reading Goals
3. Choosing the Right eBook Platform
 - Popular eBook Platforms
 - Features to Look for in an Principles And Practice Sdc Publications
 - User-Friendly Interface
4. Exploring eBook Recommendations from Principles And Practice Sdc Publications
 - Personalized Recommendations
 - Principles And Practice Sdc Publications User Reviews and Ratings

- Principles And Practice Sdc Publications and Bestseller Lists
- 5. Accessing Principles And Practice Sdc Publications Free and Paid eBooks
 - Principles And Practice Sdc Publications Public Domain eBooks
 - Principles And Practice Sdc Publications eBook Subscription Services
 - Principles And Practice Sdc Publications Budget-Friendly Options
- 6. Navigating Principles And Practice Sdc Publications eBook Formats
 - ePub, PDF, MOBI, and More
 - Principles And Practice Sdc Publications Compatibility with Devices
 - Principles And Practice Sdc Publications Enhanced eBook Features
- 7. Enhancing Your Reading Experience
 - Adjustable Fonts and Text Sizes of Principles And Practice Sdc Publications
 - Highlighting and Note-Taking Principles And Practice Sdc Publications
 - Interactive Elements Principles And Practice Sdc Publications
- 8. Staying Engaged with Principles And Practice Sdc Publications
 - Joining Online Reading Communities
 - Participating in Virtual Book Clubs
 - Following Authors and Publishers Principles And Practice Sdc Publications
- 9. Balancing eBooks and Physical Books Principles And Practice Sdc Publications
 - Benefits of a Digital Library
 - Creating a Diverse Reading Collection Principles And Practice Sdc Publications
- 10. Overcoming Reading Challenges
 - Dealing with Digital Eye Strain
 - Minimizing Distractions
 - Managing Screen Time
- 11. Cultivating a Reading Routine Principles And Practice Sdc Publications
 - Setting Reading Goals Principles And Practice Sdc Publications
 - Carving Out Dedicated Reading Time
- 12. Sourcing Reliable Information of Principles And Practice Sdc Publications
 - Fact-Checking eBook Content of Principles And Practice Sdc Publications
 - Distinguishing Credible Sources

13. Promoting Lifelong Learning
 - Utilizing eBooks for Skill Development
 - Exploring Educational eBooks
14. Embracing eBook Trends
 - Integration of Multimedia Elements
 - Interactive and Gamified eBooks

Principles And Practice Sdc Publications Introduction

In this digital age, the convenience of accessing information at our fingertips has become a necessity. Whether its research papers, eBooks, or user manuals, PDF files have become the preferred format for sharing and reading documents. However, the cost associated with purchasing PDF files can sometimes be a barrier for many individuals and organizations. Thankfully, there are numerous websites and platforms that allow users to download free PDF files legally. In this article, we will explore some of the best platforms to download free PDFs. One of the most popular platforms to download free PDF files is Project Gutenberg. This online library offers over 60,000 free eBooks that are in the public domain. From classic literature to historical documents, Project Gutenberg provides a wide range of PDF files that can be downloaded and enjoyed on various devices. The website is user-friendly and allows users to search for specific titles or browse through different categories. Another reliable platform for downloading Principles And Practice Sdc Publications free PDF files is Open Library. With its vast collection of over 1 million eBooks, Open Library has something for every reader. The website offers a seamless experience by providing options to borrow or download PDF files. Users simply need to create a free account to access this treasure trove of knowledge. Open Library also allows users to contribute by uploading and sharing their own PDF files, making it a collaborative platform for book enthusiasts. For those interested in academic resources, there are websites dedicated to providing free PDFs of research papers and scientific articles. One such website is Academia.edu, which allows researchers and scholars to share their work with a global audience. Users can download PDF files of research papers, theses, and dissertations covering a wide range of subjects. Academia.edu also provides a platform for discussions and networking within the academic community. When it comes to downloading Principles And Practice Sdc Publications free PDF files of magazines, brochures, and catalogs, Issuu is a popular choice. This digital publishing platform hosts a vast collection of publications from around the world. Users can search for specific titles or explore various categories and genres. Issuu offers a seamless reading experience with its user-friendly interface and allows users to download PDF files for offline reading. Apart from dedicated platforms, search engines also play a crucial role in finding free PDF files. Google, for instance, has an advanced search feature that allows users to filter results by file type. By specifying the file type as "PDF,"

users can find websites that offer free PDF downloads on a specific topic. While downloading Principles And Practice Sdc Publications free PDF files is convenient, its important to note that copyright laws must be respected. Always ensure that the PDF files you download are legally available for free. Many authors and publishers voluntarily provide free PDF versions of their work, but its essential to be cautious and verify the authenticity of the source before downloading Principles And Practice Sdc Publications. In conclusion, the internet offers numerous platforms and websites that allow users to download free PDF files legally. Whether its classic literature, research papers, or magazines, there is something for everyone. The platforms mentioned in this article, such as Project Gutenberg, Open Library, Academia.edu, and Issuu, provide access to a vast collection of PDF files. However, users should always be cautious and verify the legality of the source before downloading Principles And Practice Sdc Publications any PDF files. With these platforms, the world of PDF downloads is just a click away.

FAQs About Principles And Practice Sdc Publications Books

What is a Principles And Practice Sdc Publications PDF? A PDF (Portable Document Format) is a file format developed by Adobe that preserves the layout and formatting of a document, regardless of the software, hardware, or operating system used to view or print it. **How do I create a Principles And Practice Sdc Publications PDF?** There are several ways to create a PDF: Use software like Adobe Acrobat, Microsoft Word, or Google Docs, which often have built-in PDF creation tools. Print to PDF: Many applications and operating systems have a "Print to PDF" option that allows you to save a document as a PDF file instead of printing it on paper. Online converters: There are various online tools that can convert different file types to PDF. **How do I edit a Principles And Practice Sdc Publications PDF?** Editing a PDF can be done with software like Adobe Acrobat, which allows direct editing of text, images, and other elements within the PDF. Some free tools, like PDFescape or Smallpdf, also offer basic editing capabilities. **How do I convert a Principles And Practice Sdc Publications PDF to another file format?** There are multiple ways to convert a PDF to another format: Use online converters like Smallpdf, Zamzar, or Adobe Acrobats export feature to convert PDFs to formats like Word, Excel, JPEG, etc. Software like Adobe Acrobat, Microsoft Word, or other PDF editors may have options to export or save PDFs in different formats. **How do I password-protect a Principles And Practice Sdc Publications PDF?** Most PDF editing software allows you to add password protection. In Adobe Acrobat, for instance, you can go to "File" -> "Properties" -> "Security" to set a password to restrict access or editing capabilities. Are there any free alternatives to Adobe Acrobat for working with PDFs? Yes, there are many free alternatives for working with PDFs, such as: LibreOffice: Offers PDF editing features. PDFsam: Allows splitting, merging, and editing PDFs. Foxit Reader: Provides basic PDF viewing and editing capabilities. How

do I compress a PDF file? You can use online tools like Smallpdf, ILovePDF, or desktop software like Adobe Acrobat to compress PDF files without significant quality loss. Compression reduces the file size, making it easier to share and download. Can I fill out forms in a PDF file? Yes, most PDF viewers/editors like Adobe Acrobat, Preview (on Mac), or various online tools allow you to fill out forms in PDF files by selecting text fields and entering information. Are there any restrictions when working with PDFs? Some PDFs might have restrictions set by their creator, such as password protection, editing restrictions, or print restrictions. Breaking these restrictions might require specific software or tools, which may or may not be legal depending on the circumstances and local laws.

Find Principles And Practice Sdc Publications :

civil engineering handbook chandola

circuits fawwaz ulaby solutions

college physics young 9th edition pdf download

cognitive coaching a foundation for renaissance schools

cnc router parts review

claudiaaposs big break

classical and statistical thermodynamics ashley h carter

chopin piano sonata 3 analysis

civil engineer interview questions nadini

clinical examination of horses

church administration handbook by powers bruce p published by baptist sunday school board paperback

clinical nursing judgment study guide for medical surgical nursing patient centered collaborative care 8e

cii if2 past exam papers zipatoore

civil engineering drawing building plans avavan

city of lies love sex death and the search for truth in tehran ramita navai

Principles And Practice Sdc Publications :

Biology: Concepts and Applications 8th Edition, without ... Biology: Concepts and Applications 8th Edition, without Physiology - by Cecie Starr / Christine A. Evers / Lisa Starr [Cecie Starr] on Amazon.com. Biology Concepts and Applications without ... Biology Concepts and Applications without Physiolog 8th (Eighth) Edition byStarr [Starr] on Amazon.com. *FREE*

shipping on qualifying offers. Biology: Concepts and Applications 8th Edition ... Biology: Concepts and Applications 8th Edition, without Physiology - by Cecie Starr / Christine A. Evers / Lisa Starr · Cecie Starr · About the author. Biology: Concepts and Applications 8e "WITHOUT ... Biology: Concepts and Applications 8e "WITHOUT PHYSIOLOGY" by Cecie Starr; Christine A. Evers; Lisa Starr - ISBN 10: 1305022351 - ISBN 13: 9781305022355 ... Biology Concepts and Applications without ... Biology8th edition ; Full Title: Biology: Concepts and Applications without Physiology ; Edition: 8th edition ; ISBN-13: 978-0538739252 ; Format: Paperback/softback. Biology: concepts and applications [8th ed] 9781439046739 ... not addressed by science. A scientific theory is a longstanding hypothesis that is useful for making predictions about other phenomena. It is our best way ... Biology: Concepts and Applications without Physiology 8th ... Buy Biology: Concepts and Applications without Physiology 8th edition (9780538739252) by Cecie Starr for up to 90% off at Textbooks.com. Biology Concepts And Applications Without Physiology Price: \$0 with Free Shipping - Biology Concepts And Applications Without Physiology (8th Edition) by Cecie Starr, Christine A Evers, Lisa Starr. Biology: Concepts and Applications without ... In the new edition of BIOLOGY: CONCEPTS AND APPLICATIONS, authors Cecie Starr, Christine A. Evers, and Lisa Starr have partnered with the National. bio 233 text book: biology- concepts and ... Presentation on theme: "BIO 233 TEXT BOOK: BIOLOGY- CONCEPTS AND APPLICATIONS: WITHOUT PHYSIOLOGY BY STARR, EVERS AND STARR 8TH EDITION-2011 26-1-2014. 675pgs for RV Repair & Service THE. VOGUE MOTORHOME RV. Operations Service & Tech CD Manual. OPERATIONS INFO, DIAGRAMS, SPECIAL TOOLS, PART LISTS, ELECTRICAL INFO, DETAILED SERVICE ... VOGUE MOTORHOME Operations Manual 675pgs for RV ... The EXECUTIVE MOTORHOME OPERATIONs MANUALs 415pgs with RV Appliance Service Air Conditioning Frig and Furnace Repair ... Vogue Repair · Motorhome Service · Rv ... 675pgs for RV Repair & Service VOGUE MOTORHOME OPERATIONS AC & FURNACE MANUALS - 675pgs for RV Repair & Service ; Item number. 175353483583 ; Brand. Unbranded ; Accurate description. 4.7. HELP! 1979 Vogue Motorhome Jun 21, 2012 — Chassis wiring diagrams are in the 78-79 Dodge Motorhome Service Manual. Here is a link that has both the Service and Parts manuals. 1978,78 ... Rv Repair Manual Check out our rv repair manual selection for the very best in unique or custom, handmade pieces from our guides & how tos shops. Free RV Repair Manuals Free RV Repair Manuals · Awning Manuals · Water Heater Manuals · Furnace Manuals · Refrigerator Manuals · Toilet Manuals · RV Generator Manuals · RV Owners Manuals. Old RV Owners Manuals: Tips and Tricks on How to Find ... Apr 28, 2020 — In this post, we'll give you the insider secrets to finding old motorhome and travel trailer manuals online in case you need to look up ... TRAVELCRAFT LEISURE CRAFT MOTORHOME MANUALS TRAVELCRAFT LEISURE CRAFT MOTORHOME MANUALS - 375pgs for RV Repair & Service - \$19.99. FOR SALE! EVERYTHING FROM INTERIOR PLUMBING AND 12V. RV & Camper Repair Manuals Visit The Motor Bookstore to shop RV repair manuals and DIY maintenance guides for campers, motorhomes and recreational vehicles. The Gun Smith - Books Print length. 444 pages. Language. English. Publication date. June 29, 2019. Dimensions. 6 x

1.11 x 9 inches. ISBN-10. 1077045867. ISBN-13. 978-1077045866. See ... The Gun Smith by C.J. Petit - Kindle The Gun Smith - Kindle edition by Petit, C.J.. Download it once and read it ... English; File size: 2305 KB; Simultaneous device usage: Unlimited; Text-to ... The Gun Smith by C.J. Petit, Paperback ... Publication date: 06/29/2019. Pages: 446. Product dimensions: 6.00(w) x 9.00(h) ... English, English (United States). Active Filters. Active Filters 1 star Remove ... Shop Gunsmithing Books and Collectibles Browse and buy a vast selection of Gunsmithing Books and Collectibles on AbeBooks.com. gunsmith's manual Preparatory Guide on Becoming Gunsmith: An Introductory Manual to Learning and Discovering How to Become a professional Gunsmith In 5 Steps (Plus Skil by ... » Jim Batson Gunsmithing Collection Catalogs. The Gun Parts Corporation. The World Guide to Gun Parts 18th Edition ... Illustrated British Firearms Patents, by Stephen V. Grancsay and Merrill ... Gunsmith on Steam Build up your own arms manufacturing company. Find your factory, buy resources, produce a wide range of military equipment to sell to the highest bidder. Books and Guides - Gunsmithing Sep 14, 2023 — The Art of the English Trade Gun in North America by Nathan E. Bender. Call Number: Online Resource. ISBN: 9780786471157. Publication Date: 2018. Gunsmithing, Metal Work, Books Explore our list of Gunsmithing Books at Barnes & Noble®. Get your order fast and stress free with free curbside pickup.