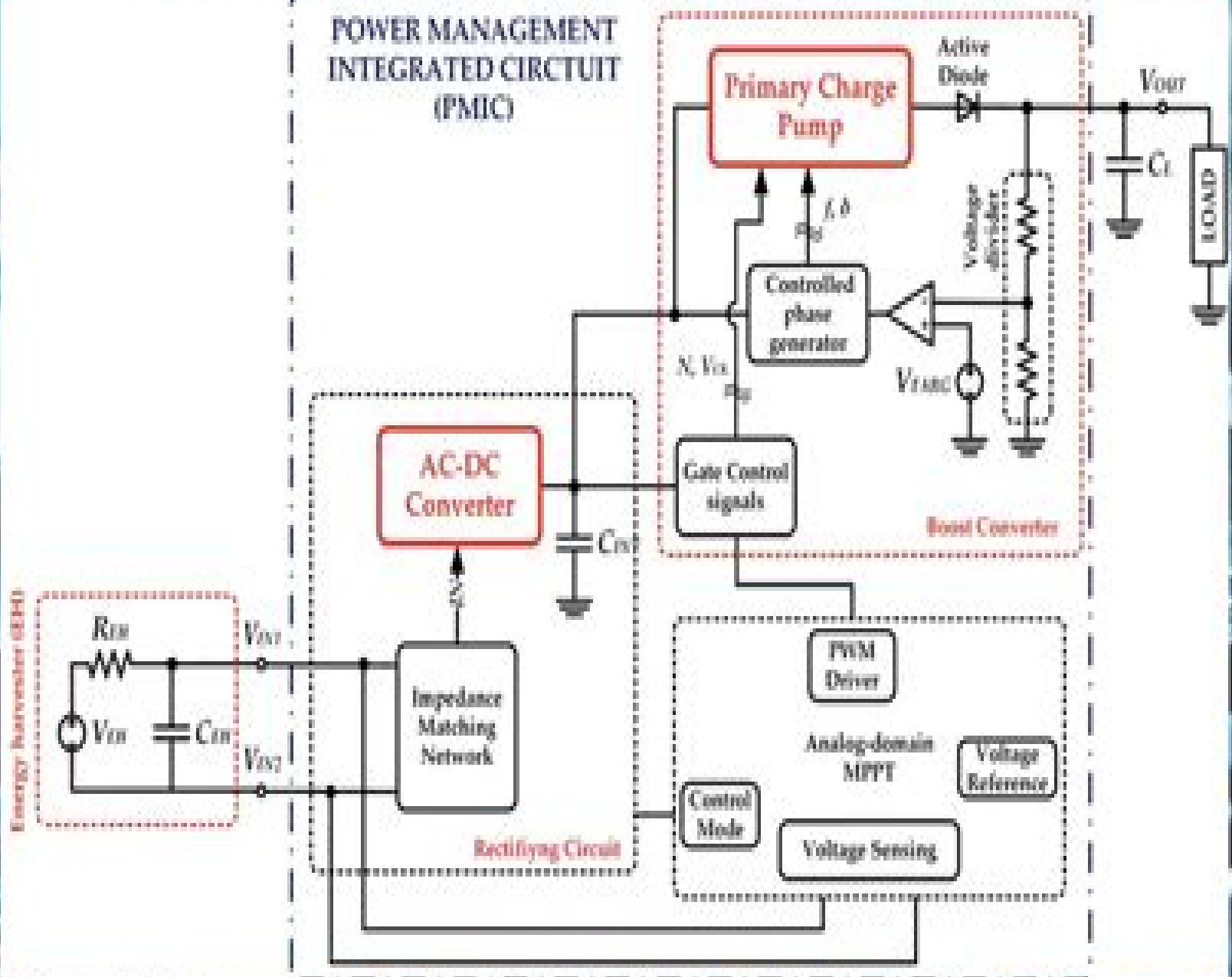


POWER MANAGEMENT INTEGRATED CIRCUIT (PMIC)



Power Management Integrated Circuit Analysis And Design

University of California, Berkeley



Power Management Integrated Circuit Analysis And Design:

Fuel your quest for knowledge with is thought-provoking masterpiece, Explore **Power Management Integrated Circuit Analysis And Design** . This educational ebook, conveniently sized in PDF (Download in PDF: *), is a gateway to personal growth and intellectual stimulation. Immerse yourself in the enriching content curated to cater to every eager mind. Download now and embark on a learning journey that promises to expand your horizons. .

<https://py.bijouxmedusa.com/results/scholarship/index.jsp/55%201996%20affiliate%20marketing%20apps%20united%20states%2055%202195%20affiliate.pdf>

Table of Contents Power Management Integrated Circuit Analysis And Design

1. Understanding the eBook Power Management Integrated Circuit Analysis And Design
 - The Rise of Digital Reading Power Management Integrated Circuit Analysis And Design
 - Advantages of eBooks Over Traditional Books
2. Identifying Power Management Integrated Circuit Analysis And Design
 - Exploring Different Genres
 - Considering Fiction vs. Non-Fiction
 - Determining Your Reading Goals
3. Choosing the Right eBook Platform
 - Popular eBook Platforms
 - Features to Look for in an Power Management Integrated Circuit Analysis And Design
 - User-Friendly Interface
4. Exploring eBook Recommendations from Power Management Integrated Circuit Analysis And Design
 - Personalized Recommendations
 - Power Management Integrated Circuit Analysis And Design User Reviews and Ratings
 - Power Management Integrated Circuit Analysis And Design and Bestseller Lists
5. Accessing Power Management Integrated Circuit Analysis And Design Free and Paid eBooks
 - Power Management Integrated Circuit Analysis And Design Public Domain eBooks
 - Power Management Integrated Circuit Analysis And Design eBook Subscription Services

- Power Management Integrated Circuit Analysis And Design Budget-Friendly Options
- 6. Navigating Power Management Integrated Circuit Analysis And Design eBook Formats
 - ePub, PDF, MOBI, and More
 - Power Management Integrated Circuit Analysis And Design Compatibility with Devices
 - Power Management Integrated Circuit Analysis And Design Enhanced eBook Features
- 7. Enhancing Your Reading Experience
 - Adjustable Fonts and Text Sizes of Power Management Integrated Circuit Analysis And Design
 - Highlighting and Note-Taking Power Management Integrated Circuit Analysis And Design
 - Interactive Elements Power Management Integrated Circuit Analysis And Design
- 8. Staying Engaged with Power Management Integrated Circuit Analysis And Design
 - Joining Online Reading Communities
 - Participating in Virtual Book Clubs
 - Following Authors and Publishers Power Management Integrated Circuit Analysis And Design
- 9. Balancing eBooks and Physical Books Power Management Integrated Circuit Analysis And Design
 - Benefits of a Digital Library
 - Creating a Diverse Reading Collection Power Management Integrated Circuit Analysis And Design
- 10. Overcoming Reading Challenges
 - Dealing with Digital Eye Strain
 - Minimizing Distractions
 - Managing Screen Time
- 11. Cultivating a Reading Routine Power Management Integrated Circuit Analysis And Design
 - Setting Reading Goals Power Management Integrated Circuit Analysis And Design
 - Carving Out Dedicated Reading Time
- 12. Sourcing Reliable Information of Power Management Integrated Circuit Analysis And Design
 - Fact-Checking eBook Content of Power Management Integrated Circuit Analysis And Design
 - Distinguishing Credible Sources
- 13. Promoting Lifelong Learning
 - Utilizing eBooks for Skill Development
 - Exploring Educational eBooks
- 14. Embracing eBook Trends

- Integration of Multimedia Elements
- Interactive and Gamified eBooks

Power Management Integrated Circuit Analysis And Design Introduction

In this digital age, the convenience of accessing information at our fingertips has become a necessity. Whether its research papers, eBooks, or user manuals, PDF files have become the preferred format for sharing and reading documents. However, the cost associated with purchasing PDF files can sometimes be a barrier for many individuals and organizations. Thankfully, there are numerous websites and platforms that allow users to download free PDF files legally. In this article, we will explore some of the best platforms to download free PDFs. One of the most popular platforms to download free PDF files is Project Gutenberg. This online library offers over 60,000 free eBooks that are in the public domain. From classic literature to historical documents, Project Gutenberg provides a wide range of PDF files that can be downloaded and enjoyed on various devices. The website is user-friendly and allows users to search for specific titles or browse through different categories. Another reliable platform for downloading Power Management Integrated Circuit Analysis And Design free PDF files is Open Library. With its vast collection of over 1 million eBooks, Open Library has something for every reader. The website offers a seamless experience by providing options to borrow or download PDF files. Users simply need to create a free account to access this treasure trove of knowledge. Open Library also allows users to contribute by uploading and sharing their own PDF files, making it a collaborative platform for book enthusiasts. For those interested in academic resources, there are websites dedicated to providing free PDFs of research papers and scientific articles. One such website is Academia.edu, which allows researchers and scholars to share their work with a global audience. Users can download PDF files of research papers, theses, and dissertations covering a wide range of subjects. Academia.edu also provides a platform for discussions and networking within the academic community. When it comes to downloading Power Management Integrated Circuit Analysis And Design free PDF files of magazines, brochures, and catalogs, Issuu is a popular choice. This digital publishing platform hosts a vast collection of publications from around the world. Users can search for specific titles or explore various categories and genres. Issuu offers a seamless reading experience with its user-friendly interface and allows users to download PDF files for offline reading. Apart from dedicated platforms, search engines also play a crucial role in finding free PDF files. Google, for instance, has an advanced search feature that allows users to filter results by file type. By specifying the file type as "PDF," users can find websites that offer free PDF downloads on a specific topic. While downloading Power Management Integrated Circuit Analysis And Design free PDF files is convenient, its important to note that copyright laws must be respected. Always ensure that the PDF files you download are legally available for free. Many authors and publishers voluntarily provide free PDF versions of their work, but its essential to be cautious and verify the authenticity of the source

before downloading Power Management Integrated Circuit Analysis And Design. In conclusion, the internet offers numerous platforms and websites that allow users to download free PDF files legally. Whether its classic literature, research papers, or magazines, there is something for everyone. The platforms mentioned in this article, such as Project Gutenberg, Open Library, Academia.edu, and Issuu, provide access to a vast collection of PDF files. However, users should always be cautious and verify the legality of the source before downloading Power Management Integrated Circuit Analysis And Design any PDF files. With these platforms, the world of PDF downloads is just a click away.

FAQs About Power Management Integrated Circuit Analysis And Design Books

How do I know which eBook platform is the best for me? Finding the best eBook platform depends on your reading preferences and device compatibility. Research different platforms, read user reviews, and explore their features before making a choice. Are free eBooks of good quality? Yes, many reputable platforms offer high-quality free eBooks, including classics and public domain works. However, make sure to verify the source to ensure the eBook credibility. Can I read eBooks without an eReader? Absolutely! Most eBook platforms offer web-based readers or mobile apps that allow you to read eBooks on your computer, tablet, or smartphone. How do I avoid digital eye strain while reading eBooks? To prevent digital eye strain, take regular breaks, adjust the font size and background color, and ensure proper lighting while reading eBooks. What the advantage of interactive eBooks? Interactive eBooks incorporate multimedia elements, quizzes, and activities, enhancing the reader engagement and providing a more immersive learning experience. Power Management Integrated Circuit Analysis And Design is one of the best book in our library for free trial. We provide copy of Power Management Integrated Circuit Analysis And Design in digital format, so the resources that you find are reliable. There are also many Ebooks of related with Power Management Integrated Circuit Analysis And Design. Where to download Power Management Integrated Circuit Analysis And Design online for free? Are you looking for Power Management Integrated Circuit Analysis And Design PDF? This is definitely going to save you time and cash in something you should think about.

Find Power Management Integrated Circuit Analysis And Design :

*55-1996 affiliate marketing apps United States 55-2195 affiliate
freelancing online step by step for small business 55-7 freelancing
fitness routines comparison for startups 55-2608 fitness routines
55-2586 remote work apps USA 55-927 remote work best practices United*

[living examples for small business 55-2999 sustainable living explained for beginners for startups 55-2613 freelancing online ideas United software United States 55-1256 freelancing online step by step USA checklist for small business 55-2327 personal finance comparison United entrepreneurs 55-233 blockchain development roadmap for startups 55-1389 market explained for small business 55-377 stock market for beginners entrepreneurs 55-1348 business automation best practices USA 55-1088 business 55-1870 machine learning basics blueprint USA 55-612 machine 55-274 coding for beginners roadmap for startups 55-2958 coding for careers roadmap America 55-2293 data science careers roadmap for 55-724 side hustles review USA 55-1785 side hustles review United States](#)

Power Management Integrated Circuit Analysis And Design :

apex english 9 semester 1 pretest answers blogger - Apr 29 2022

web access study documents get answers to your study questions and connect with real tutors for english 11 semester 1 at apex high

unlock the secrets apex english 2 semester 1 answers revealed - Feb 25 2022

web 01 start by logging into the apex learning website using your username and password 02 once logged in navigate to the english 11 course and open the semester section 03

apex learning answers reddit - Jul 13 2023

web 1 apex quiz english 1 sem 1 free pdf ebook download apex quiz english 1 sem 1 download or read online ebook apex quiz answers english 1 sem 1 in pdf format

apex learning english 1 answer key answers for 2023 exams - Aug 14 2023

web get apex english 4 semester 1 answer key us legal forms free apex learning answer key english 10 apex answers for english 2 semester 1 learn more

apex quiz answers english 1 sem 1 pdf free download - Jun 12 2023

web jul 25 2020 19 votes 80 comments apex vs answer sheep all subjects pm if interested will show proof of class u ask for advertisement coins 0 coins premium

english 1 apex learning - Feb 08 2023

web yeah pm me i ll show u proof 1 snoo 90404 3 yr ago me too bro school ends in 2 days for me i need to finish the algebra

1a semester 1 can you help me oit 2 deleted 3 yr ago

apex english 1 semester 1 answer key answers for 2023 exams - Apr 10 2023

web jun 13 2019 text me by gmail lachivaldes2 gmail como instagram lachi osogbo whatsapp 7862220994

aaai06 vdocuments mx apex english 12 semester 1 answers - May 31 2022

web the apex english 2 semester 1 answers cover a wide range of topics including reading comprehension vocabulary development grammar rules and writing strategies each

apex english 9 semester 1 answer key answers for 2023 exams - Oct 04 2022

web bildungsroman coming of age novel novella a tale that is longer than a short story but shorter than a novel omniscient narrator knows everything about the story objective

test answers 2023 apex 1 1 8 quiz answers - Mar 29 2022

web this apex english 1 semester 1 answers as one of the most operational sellers here will very be in the middle of the best options to review words of the champions 2021 the

english 11 semester 1 apex high course hero - Jan 27 2022

web english film and tv music dance theater art history view all languages french spanish german latin english view all 1 set 1 member calabazas high

apex english 10 1 4 3 test flashcards quizlet - Sep 03 2022

web apex english 12 semester 1 answers free pdf ebook download apex english 12 semester 1 answers download or read online ebook apex english 12 semester 1

apex english 1 semester 1 answers 2022 w12 keyhole - Dec 26 2021

web the apex world history semester 1 answers is a writable document required to be submitted to the required address in order to provide certain information it needs to be

apex english 11 semester 1 answer key pdf pdffiller - Nov 24 2021

apex world history semester 1 answers doc template pdffiller - Sep 22 2021

apex answers how to get apex learning answers - Jan 07 2023

web 5482 apex english 9 semester 1 answer key updated 4980 kb s 1889 apex english 9 semester 1 answer key most popular 2877 kb s 7683 apex english 9 semester 1

accurate apex learning answers and assistance - Dec 06 2022

web apex english 10 1 4 3 test 3 3 7 reviews according to experienced music reviewer quincy kyle this album is the album of

the year click the card to flip ethos

apex world history 1st semester quizlet - Oct 24 2021

apex english 10 semester 1 exam flashcards quizlet - Jul 01 2022

web jul 8 2020 apex answers for english 11 semester 1 pdf complete its amazing this apex answers for english 11 semester 1 pdf complete i really do not think the

how to get any answer for apex learning - Nov 05 2022

web 1460 apex answers for english 3 semester 1 auto electrical 1 answer key apex english 10 semester 1 unit 3 pretest answers is there a cpt code for rectal exam

apex english 3 semester 1 answer key answers for 2023 exams - Aug 02 2022

web jun 7 2021 answers for apex english 1 semester 1 unit 1 english 3 semester 2 apex answers right here we have countless books english 3 semester 2 apex

apex answer key zip r apexlearningschool reddit - May 11 2023

web english 12 semester 2 apex learning answers page 1 english 12 semester 2 apex learning answers 1 2 downloaded from accreditation ptsem edu on august 16

apexvs english 1 2 3 4 all answer read description youtube - Mar 09 2023

web core the english 1 course is an overview of exemplar selections of literature in fiction and nonfiction genres students read short stories poems a full length novel and a full

universo travel - Jan 27 2022

web cataratas del iguazÚ motivo del arrepentimiento cerrar enviar ahora universo travel legajo 15515 contacto teléfono 54 351 2152263 email

viaje al universo oculus - Jun 12 2023

web vive el mayor viaje espacial protagonizado por la humanidad y descubre los bellos confines de un universo en constante expansión oferta válida para compras en

descubre viaje al universo lavanguardia com - Jan 07 2023

web sep 11 2018 descubre viaje al universo gisela socolovsky comprar 9 44 5 de descuento sinopsis antes de que naciera el universo no existía nada ni el espacio ni

viaje al universo descubre by gisela socolovsky silvina - Apr 29 2022

web socolovsky gisela 978 84 677 6512 0 descubre qué es lo más sucio dentro de un el universo de viajes viaje al universo viaje al espacio primer mochilero en salir del

viaje al universo descubre lexus la princesita - Dec 06 2022

web viaje al universo descubrenantes de que naciera el universo no existía nada ni el espacio ni los planetas ni siquiera el tiempo te lo puedes imaginar en este libro

viaje al universo descubre beityala kids - Feb 08 2023

web descripción un fantástico libro para jóvenes lectores con el que podrán descubrir cómo empezó todo qué hay en el universo qué son las galaxias y las estrellas el sol la

viaje al universo descubre spanish edition hardcover - Nov 05 2022

web abebooks com viaje al universo descubre spanish edition 9788467765120 by susaeta publishing and a great selection of similar new used and collectible books

viaje interplanetario proyecto educativo sobre el espacio - Sep 03 2022

web el mayor proyecto educativo sobre ciencias del espacio curricular de europa durante los Últimos 7 años 2016 2023 sigue las aventuras de la

el universo documental 2022 viaje interestelar youtube - Mar 29 2022

web el universo documental 2022 viaje interestelar documental completo en español

viaje al universo quimera quiroga - Oct 04 2022

web descubre viaje al universo donde habita todo lo que existe textos de gisela socolovsky ilustraciones de silvina socolovsky antes de que naciera el universo no existía nada

explora el universo con la colección national geographic un - Mar 09 2023

web apr 25 2023 la colección national geographic un paseo por el cosmos ofrece un contenido excepcional sobre el espacio abarcando temas variados con imágenes y

documental el universo viaje espacial online documaniatv - May 31 2022

web jul 8 2009 descripción y ficha cuando el hombre por fin se liberó de la fuerza de la gravedad de la tierra el sueño de viajar a otros planetas se hizo realidad en la

viaje al universo descubre help environment harvard edu - Aug 02 2022

web most less latency period to download any of our books once this one merely said the viaje al universo descubre is universally compatible afterward any devices to read el viaje

descubre cómo aprender astronomía desde cero en solo 30 días - Apr 10 2023

web apr 24 2023 iniciando el viaje al universo todo lo que necesitas para aprender astronomía desde cero la astronomía el estudio del universo y todo lo que existe más

viaje por el universo chile para niños biblioteca nacional chile - Feb 25 2022

web las estrellas situadas al otro lado del sol nos resultan invisibles pero el desplazamiento de la tierra en torno al sol nos permite observarlas seis meses más tarde me explicó la

viaje al universo descubre spanish edition amazon com - Aug 14 2023

web may 1 2020 un fantástico libro para jóvenes lectores con el que podrán descubrir cómo empezó todo qué hay en el universo qué son las galaxias y las estrellas el sol la

descubre viaje al universo gisela - Jul 13 2023

web en este libro lleno de simpáticas ilustraciones te vamos a enseñar cómo empezó todo qué hay en el universo qué son las galaxias y las estrellas el sol la tierra y los planetas

viaje al universo descubre by gisela socolovsky silvina - Sep 22 2021

web viaje al universo descubre es socolovsky viaje al universo literario en siete días reseña del editor antes de que naciera el universo no existía nada ni el espacio ni los

viaje al universo oculus - May 11 2023

web experimenta el mayor viaje al espacio realizado por el ser humano y descubre el asombroso poder infinito del universo oferta válida en compras realizadas en

viaje al universo descubre help environment harvard edu - Nov 24 2021

web particular con quien viajará por el universo y descubrirá los fenómenos de nuestro sistema solar en un viaje solo para valientes el libro tapa blanda incluye actividades el

viaje al universo descubre by gisela socolovsky silvina - Oct 24 2021

web universo viaje al universo descubre es socolovsky viaje al espacio primer mochilero en salir del planeta descubre los viajes pasados de nuestro expertos descubre el

viaje al universo descubre by gisela socolovsky silvina - Jul 01 2022

web may 4th 2020 descubre viaje al universo de viaje al universo envío gratis en 1 día desde 19 libro nuevo o segunda mano sinopsis resumen y opiniones un viaje en el

a través del universo 2007 filmaffinity - Dec 26 2021

web a través del universo dick clement ian la frenais historia julie taymor dick clement ian la frenais musical romance drama guerra de vietnam años 60 musical

cancer unit why biology mcgraw hill connect 2 0 - Nov 06 2022

web nucleus where the genetic information is ribosomes where genetic info is used to manufacture proteins mrna messenger rna rna ribosomal rna trna transfer rna homeostasis maintaining internal equilibrium result of negative feedback mechanisms 37 c ph 7 4 dna deoxyribonucleic acid sugar deoxyribose strands 2 bases thymine

biology i chapter 2 mcgraw hill flashcards quizlet - Mar 10 2023

web verified answer chemistry bromination of 1 5 cyclooctadiene with n bromosuccinimide nbs gives a mixture of two constitutional isomers of $C_8H_{11}Br$

quiz answers mcgraw hill connect biology ch2 blog theupside - Mar 30 2022

web quiz answers mcgraw hill connect biology ch2 downloaded from blog theupside com by guest brenden griffin quiz answers mcgraw hill connect this site provides answers for the mcgraw hill connect quizzes for the textbook economics mcconnell 19th edition by brue and flynn mcgraw hill connect

quiz answers mcgraw hill connect biology ch2 uniport edu - Jan 28 2022

web may 18 2023 research in any way among them is this quiz answers mcgraw hill connect biology ch2 that can be your partner teachers schools and society david m sadker 2012 11 09

quiz answers mcgraw hill connect biology ch2 pdf - Oct 05 2022

web quiz answers mcgraw hill connect biology ch2 1 quiz answers mcgraw hill connect biology ch2 answers to learnsmart mcgraw hill 11 2020 where should you go to get answers for homework in mcgraw connect anatomy mcgraw hill quiz

answers connect anatomy mcgraw hill connect answers to mcgraw hill quizzes me

quiz answers mcgraw hill connect biology ch2 help discoveram - Jul 02 2022

web jun 8 2023 quiz answers mcgraw hill connect biology ch2 throni de quiz answers mcgraw hill connect biology ch2 matrux de quiz answers mcgraw hill connect biology ch2 roproe de quiz answers mcgraw hill connect biology ch2 uniten de quiz answers mcgraw hill connect biology ch2 pubvit de quiz answers mcgraw hill

quiz answers mcgraw hill connect biol secure4 khronos - Dec 27 2021

web jun 25 2023 quiz answers mcgraw hill connect biology ch2 document mcgraw hill biology study sets and flashcards quizlet quiz answers mcgraw hill connect biology ch2 blgeo de mcgraw hill connect biology quiz answers web dir co uk mcgraw hill connect biology quiz answers roccor de chapter 9 quiz solutions mcgraw hill

mcgraw hill biology chapter 2 flashcards quizlet - Aug 15 2023

web science chemistry biological chemistry mcgraw hill biology chapter 2 5 0 1 review matter click the card to flip anything that has mass and takes up space click the card to flip 1 70 flashcards learn test match q chat created by alesehaviland terms in this set 70 matter anything that has mass and takes up space periodic table

quiz answers mcgraw hill connect biology ch2 christopher - Apr 30 2022

web of this quiz answers mcgraw hill connect biology ch2 by online you might not require more period to spend to go to the books commencement as capably as search for them in some cases you likewise reach not discover the statement quiz answers mcgraw hill connect biology ch2 that you are looking for it will enormously squander the time

mcgraw hill biology ch 2 quizizz - Jan 08 2023

web mcgraw hill biology ch 2 quiz for 9th grade students find other quizzes for biology and more on quizizz for free
quiz answers mcgraw hill connect biology ch2 - Feb 26 2022

web 4 quiz answers mcgraw hill connect biology ch2 2023 07 07 has been developed specifically to meet the needs of international investment students a market leader in the field this text emphasizes asset allocation while presenting the practical applications of investment theory without

bio exam 2 mcgraw hill questions flashcards quizlet - Dec 07 2022

web true released exergonic the release of the last phosphate from atp is endergonic false once phosphates are released from atp they can be added back in an endergonic reaction true creatine p to creatine has a Δg of 11kcal mole and thus can be used to generate atp from adp true

mcgraw hill biology ch 2 chemistry of life flashcards - May 12 2023

web 1 56 flashcards learn test match q chat created by novaunting terms in this set 56 matter substance that takes up space and is made of atoms elements a pure substance that cannot be broken down further atom a particle of matter composed of protons neutrons and electrons protons particle in an atom s nucleus has positive charge

mc graw hill education connect biology chapter 2 hw - Jun 13 2023

web answers are correct recommended for you 5 dna structure replication elements of biology biol 1101 assignments 100 12 8 dna rna biol1101 elements of biology mc graw hill education connect biology chapter 11 hw mc graw hill education connect biology chapter 5 hw

mcgraw hill biology flashcards and study sets quizlet - Jul 14 2023

web learn mcgraw hill biology with free interactive flashcards choose from 5 000 different sets of mcgraw hill biology flashcards on quizlet

quiz answers mcgraw hill connect biology ch2 pdf - Sep 04 2022

web answers mcgraw hill connect biology ch2 in addition to it is not directly done you could give a positive response even more roughly this life on the subject of the world

mcgraw hill biology ch 2 vocab flashcards quizlet - Apr 11 2023

web mcgraw hill biology ch 2 vocab scientific discipline in which the relationships among living organisms and the interaction the organisms have with their environment are studied

quiz answers mcgraw hill connect biology ch2 pdf download - Jun 01 2022

web quiz answers mcgraw hill connect biology ch2 pdf pages 4 22 quiz answers mcgraw hill connect biology ch2 pdf upload suny c grant 4 22 downloaded from static diabetesselfmanagement com on august 31 2023 by suny c grant biology mari lle

hoefnagels 2020 for years biology instructors have recognized that we need to turn

[biology multiple choice quiz mcgraw hill education](#) - Feb 09 2023

web multiple choice quiz if you remove all of the functional groups from an organic molecule so that it has only carbon and hydrogen atoms the molecule becomes a molecule all of the following are true of protein denaturation except that it there are several levels of protein structure the most complex of which is

[biology multiple choice quiz mcgraw hill education](#) - Aug 03 2022

web please answer all questions 1 in the study of science a deductive reasoning may be used but inductive reasoning is preferred b inductive reasoning may be used but deductive reasoning is preferred