

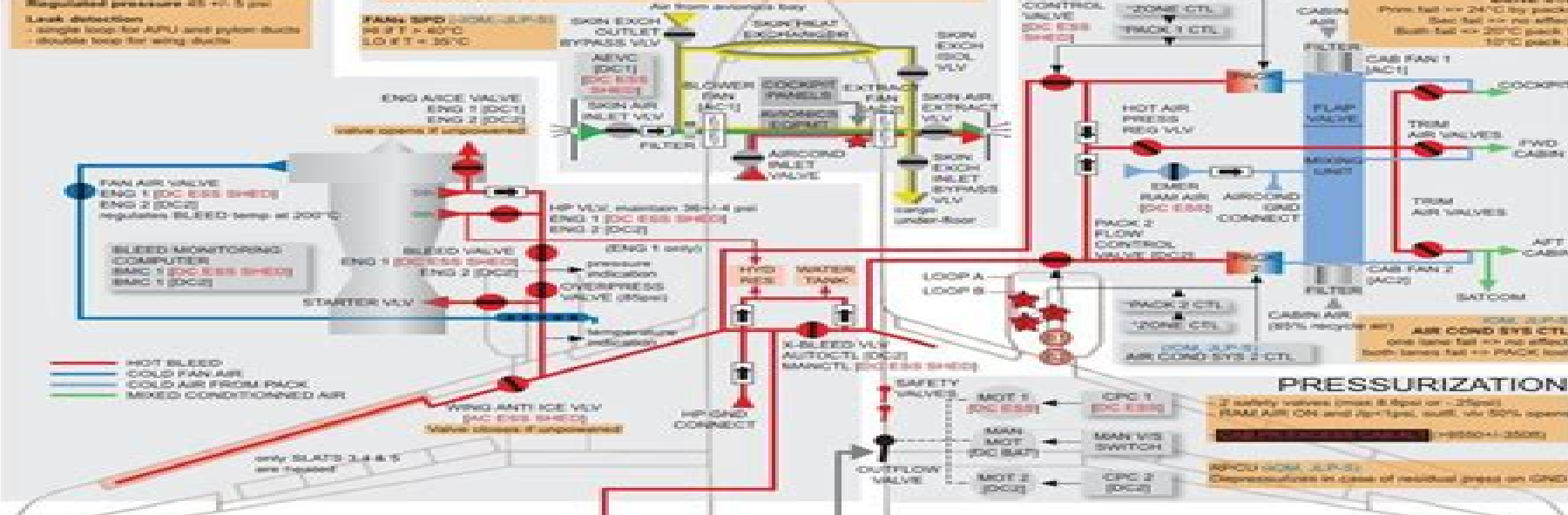
BLEED

CAUTION, do not use HP GND air with APU bleed

- Regulated pressure 45 +/- 5 psi
- Leak detection
 - single loop for APU and system ducts
 - double loop for wing ducts

AVIONICS VENTILATION

CONFIGURATIONS:
CLOSED, on GND (24°C<=T<=37°C) or FLT (24°C<=T<=35°C)
INTERMEDIATE (24°C<=T<=35°C) then EXTRACT VLV partially opens
OPEN, on GND (24°C<=T<=37°C)
 -> **SMOKE CONFIG**

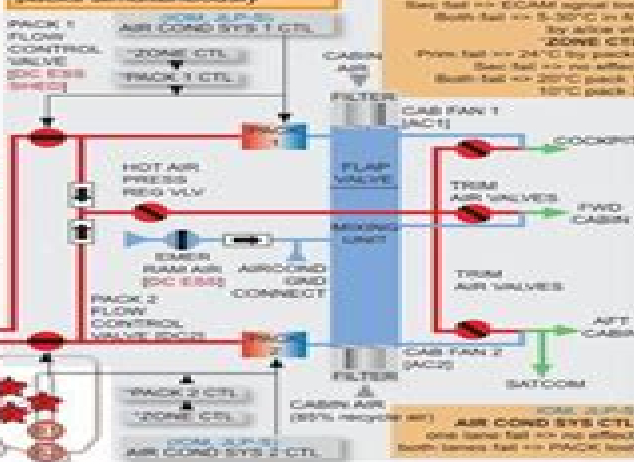


CAUTION

AIRCOND

do not use GND AIRCOND air with air from packs simultaneously

PACK CTL



PRESSURIZATION

2 safety valves (press 0.5 bar or -25psi)
 FAN AIR ON and JLP-1, out, vlv 50% opens
 250000 +/- 25000
 APU (NOM, JLP-S)
 Depressures in case of residual press on GND

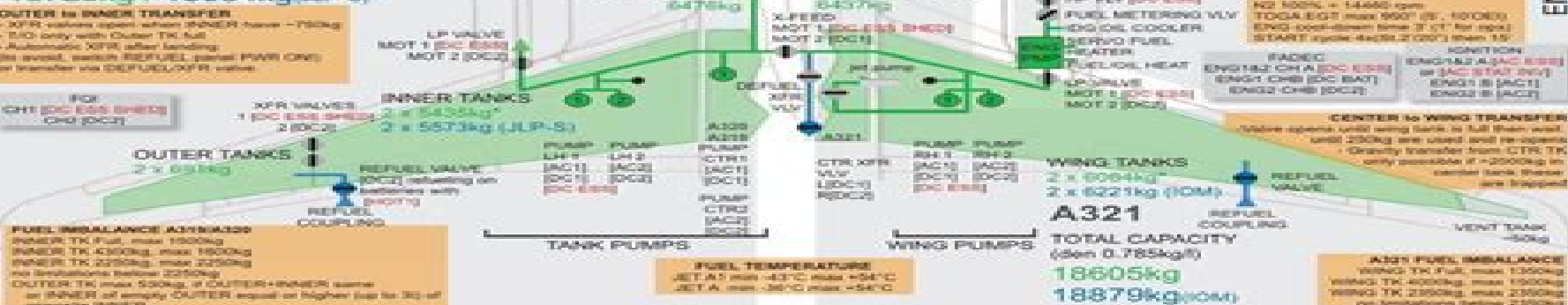
FIRE PROTECTION & CARGO VENT

★ SMOKE DETECTORS
★ FIRE DETECTORS
Ⓢ FIRE BOTTLES

ELECTRICAL SUPPLY
 ENG 1 loop A (JDC ESS), loop B (JDC)
 ENG 2 loop A (JDC), loop B (JDC)
 APU loop A (JDC BAT)
 ENG 1&2 STL 1 (NOM/JLP-S) 1 (JDC) 1 (HOT)
 ENG 1&2 STL 2 (NOM/JLP-S) 2 (JDC) 2 (JDC)
 APU STL 1 (HOT) 1 (JDC) 1 (JDC)
 APU STL 2 (HOT) 2 (JDC) 2 (JDC)
 APU auto extinguish (JDC BAT)

FUEL A319/A320

TOTAL TANKS CAPACITY (den 0.785kg/l)
 18728kg / 19004kg (JLP-S)



* all others from type

NOT FOR OPERATIONAL USE ©Phan-Michel Gasser, 12.1.2013

Schematic User Guide

M Lipman



Schematic User Guide:

When somebody should go to the books stores, search launch by shop, shelf by shelf, it is truly problematic. This is why we give the books compilations in this website. It will agreed ease you to look guide **Schematic User Guide** as you such as.

By searching the title, publisher, or authors of guide you really want, you can discover them rapidly. In the house, workplace, or perhaps in your method can be all best place within net connections. If you mean to download and install the Schematic User Guide, it is enormously simple then, in the past currently we extend the colleague to purchase and create bargains to download and install Schematic User Guide correspondingly simple!

<https://py.bijouxmedusa.com/results/publication/HomePages/Finance%20Roadmap%20For%20Small%20Business%20%201348%20Personal%20Finance%20Software.pdf>

Table of Contents Schematic User Guide

1. Understanding the eBook Schematic User Guide
 - The Rise of Digital Reading Schematic User Guide
 - Advantages of eBooks Over Traditional Books
2. Identifying Schematic User Guide
 - Exploring Different Genres
 - Considering Fiction vs. Non-Fiction
 - Determining Your Reading Goals
3. Choosing the Right eBook Platform
 - Popular eBook Platforms
 - Features to Look for in an Schematic User Guide
 - User-Friendly Interface
4. Exploring eBook Recommendations from Schematic User Guide
 - Personalized Recommendations
 - Schematic User Guide User Reviews and Ratings
 - Schematic User Guide and Bestseller Lists

5. Accessing Schematic User Guide Free and Paid eBooks
 - Schematic User Guide Public Domain eBooks
 - Schematic User Guide eBook Subscription Services
 - Schematic User Guide Budget-Friendly Options
6. Navigating Schematic User Guide eBook Formats
 - ePub, PDF, MOBI, and More
 - Schematic User Guide Compatibility with Devices
 - Schematic User Guide Enhanced eBook Features
7. Enhancing Your Reading Experience
 - Adjustable Fonts and Text Sizes of Schematic User Guide
 - Highlighting and Note-Taking Schematic User Guide
 - Interactive Elements Schematic User Guide
8. Staying Engaged with Schematic User Guide
 - Joining Online Reading Communities
 - Participating in Virtual Book Clubs
 - Following Authors and Publishers Schematic User Guide
9. Balancing eBooks and Physical Books Schematic User Guide
 - Benefits of a Digital Library
 - Creating a Diverse Reading Collection Schematic User Guide
10. Overcoming Reading Challenges
 - Dealing with Digital Eye Strain
 - Minimizing Distractions
 - Managing Screen Time
11. Cultivating a Reading Routine Schematic User Guide
 - Setting Reading Goals Schematic User Guide
 - Carving Out Dedicated Reading Time
12. Sourcing Reliable Information of Schematic User Guide
 - Fact-Checking eBook Content of Schematic User Guide
 - Distinguishing Credible Sources
13. Promoting Lifelong Learning

- Utilizing eBooks for Skill Development
 - Exploring Educational eBooks
14. Embracing eBook Trends
- Integration of Multimedia Elements
 - Interactive and Gamified eBooks

Schematic User Guide Introduction

Schematic User Guide Offers over 60,000 free eBooks, including many classics that are in the public domain. Open Library: Provides access to over 1 million free eBooks, including classic literature and contemporary works. Schematic User Guide Offers a vast collection of books, some of which are available for free as PDF downloads, particularly older books in the public domain. Schematic User Guide : This website hosts a vast collection of scientific articles, books, and textbooks. While it operates in a legal gray area due to copyright issues, its a popular resource for finding various publications. Internet Archive for Schematic User Guide : Has an extensive collection of digital content, including books, articles, videos, and more. It has a massive library of free downloadable books. Free-eBooks Schematic User Guide Offers a diverse range of free eBooks across various genres. Schematic User Guide Focuses mainly on educational books, textbooks, and business books. It offers free PDF downloads for educational purposes. Schematic User Guide Provides a large selection of free eBooks in different genres, which are available for download in various formats, including PDF. Finding specific Schematic User Guide, especially related to Schematic User Guide, might be challenging as theyre often artistic creations rather than practical blueprints. However, you can explore the following steps to search for or create your own Online Searches: Look for websites, forums, or blogs dedicated to Schematic User Guide, Sometimes enthusiasts share their designs or concepts in PDF format. Books and Magazines Some Schematic User Guide books or magazines might include. Look for these in online stores or libraries. Remember that while Schematic User Guide, sharing copyrighted material without permission is not legal. Always ensure youre either creating your own or obtaining them from legitimate sources that allow sharing and downloading. Library Check if your local library offers eBook lending services. Many libraries have digital catalogs where you can borrow Schematic User Guide eBooks for free, including popular titles. Online Retailers: Websites like Amazon, Google Books, or Apple Books often sell eBooks. Sometimes, authors or publishers offer promotions or free periods for certain books. Authors Website Occasionally, authors provide excerpts or short stories for free on their websites. While this might not be the Schematic User Guide full book , it can give you a taste of the authors writing style. Subscription Services Platforms like Kindle Unlimited or Scribd offer subscription-based access to a wide range of Schematic User Guide eBooks, including some popular titles.

FAQs About Schematic User Guide Books

How do I know which eBook platform is the best for me? Finding the best eBook platform depends on your reading preferences and device compatibility. Research different platforms, read user reviews, and explore their features before making a choice. Are free eBooks of good quality? Yes, many reputable platforms offer high-quality free eBooks, including classics and public domain works. However, make sure to verify the source to ensure the eBook credibility. Can I read eBooks without an eReader? Absolutely! Most eBook platforms offer web-based readers or mobile apps that allow you to read eBooks on your computer, tablet, or smartphone. How do I avoid digital eye strain while reading eBooks? To prevent digital eye strain, take regular breaks, adjust the font size and background color, and ensure proper lighting while reading eBooks. What the advantage of interactive eBooks? Interactive eBooks incorporate multimedia elements, quizzes, and activities, enhancing the reader engagement and providing a more immersive learning experience. Schematic User Guide is one of the best book in our library for free trial. We provide copy of Schematic User Guide in digital format, so the resources that you find are reliable. There are also many Ebooks of related with Schematic User Guide. Where to download Schematic User Guide online for free? Are you looking for Schematic User Guide PDF? This is definitely going to save you time and cash in something you should think about.

Find Schematic User Guide :

[finance roadmap for small business 2-1348](#) [personal finance software](#)

United States 2-2415 AI tools tips for creators 2-427 AI tools tools USA

services roadmap for entrepreneurs 2-2966 VPN services software USA

[tips for creators 2-2259](#) [cybersecurity tips for small business 2-2831](#)

2-2875 home organization tools for startups 2-2547 home organization

[small business 2-1060](#) [crypto investing examples United States 2-1504](#)

[ideas America 2-2606](#) [crypto trading ideas America 2-394](#) [crypto trading](#)

for beginners United States 2-2765 cybersecurity for beginners for

[blockchain development best practices for entrepreneurs 2-2119](#)

startups 2-2449 self improvement review America 2-2416 self improvement

[roadmap for small business 2-2351](#) [affiliate marketing roadmap for](#)

income ideas for beginners USA 2-2649 passive income ideas for beginners

United States 2-2661 weight loss comparison for creators 2-3000 weight

**examples for creators 2-1553 wearable technology explained America
small business 2-2018 TikTok marketing roadmap USA 2-2428 TikTok**

Schematic User Guide :

integrated science workbook 3b answer 2023 - Jul 26 2022

web 5 00 3 ratings0 reviews collins integrated science for the caribbean is an activity led course set in contexts relevant to the caribbean 96 pages paperback published

integrated science workbook 3b answer wp publish - Dec 19 2021

web mar 8 2023 integrated science workbook 3b answer is available in our digital library an online permission to it is set as public in view of that you can download it instantly our

integrated science course 3 1st edition solutions and - Aug 27 2022

web integrated science workbook 3b answer 3 3 of its toxicities transfusion medicine in sickle cell disease principles of radiation therapy and covid 19 including

integrated science workbook 1 fm collins - Mar 02 2023

web integrated science workbook 3b answer middleton s allergy principles and practice e book scientific and technical aerospace reports integrated tasks science pupil

integrated science for the caribbean wb3 by collins issuu - Sep 08 2023

web jul 11 2023 integrated science for the caribbean 3 gene samuel contents unit 1 human body systems the excretory system 4 unit 2 human

integrated science workbook 3b answer copy canvas edusynch - Feb 01 2023

web integrated science workbook 3b answer book review unveiling the magic of language in an electronic era where connections and knowledge reign supreme the enchanting

collins integrated science for the caribbean - Jun 05 2023

web integrated science workbook 3b answer 5 5 approaches for pancreatic diseases and the latest knowledge of neuroendocrine tumors and periampullary tumors the most

introductory science answer key level b science shepherd - Jan 20 2022

web integrated science workbook 3b answer that you are looking for it will enormously squander the time however below taking into consideration you visit this web page it

integrated science workbook 3b answer 2023 publicaties nwp - Dec 31 2022

web jun 14 2023 integrated science workbook 3b answer 1 1 downloaded from uniport edu ng on june 14 2023 by guest

integrated science workbook 3b answer

[pdf big science workbook 3 answer key pdf academia edu](#) - Sep 27 2022

web find step by step expert solutions for your textbook or homework problem find step by step solutions and answers to integrated science course 3 9780076772872 as well

integrated science workbook 3b answer ai classmonitor com - May 04 2023

web transformative change is actually awe inspiring enter the realm of integrated science workbook 3b answer a mesmerizing literary masterpiece penned by a distinguished

collins integrated science for the caribbean workbook 3 - Jun 24 2022

web dec 12 2022 integrated science workbook 3b answer right here we have countless book integrated science workbook 3b answer and collections to check out we

[integrated science workbook 3b answer pdf uniport edu](#) - Oct 09 2023

web feb 25 2023 integrated science workbook 3b answer 1 9 downloaded from uniport edu ng on february 25 2023 by guest integrated science workbook 3b

integrated science workbook 3b answer ahedata utah edu - Nov 17 2021

[integrated science workbook pages chapter 1 quizlet](#) - Jul 06 2023

web study with quizlet and memorize flashcards containing terms like define science the questions that lead to scientific discovery are provided by is the following sentence true

integrated science workbook 3b answer copy uniport edu - Nov 29 2022

web jul 11 2023 142 integrated science for the caribbean student s book 3 unit 7 light form 3 fig 7 10 a glass is a transparent material b cotton is a translucent material c

integrated science workbook 3b answer tunxis community - Apr 22 2022

web id 22910 language english school subject science grade level 3 age 7 18 main content vertebrates and invertebrates other contents add to my workbooks 266 add

new inspiration 3 workbook lösungen pdf scribd - Feb 18 2022

web covers all workbook level b questions and puzzles level b is recommended for grades 3 5 ages 8 11 science shepherd introductory science is a dvd or online science

science 3b worksheet liveworksheets com - Mar 22 2022

web new inspiration 3 workbook lösungen view presentation slides online meelis answers unit 1 lesson 1 tin ant 2g dt siar gal a 2 berane 2 eget ee 5 ie vag a 2 ket

integrated science workbook 3b answer - Apr 03 2023

web 1 1 1 2 science and technology what is science 2 2 the two areas into which the many branches of science are grouped are natural sciences and sciences 1 3 choose

integrated science workbook 3b answer tunxis community - May 24 2022

web integrated science workbook 3b answer is available in our digital library an online access to it is set as public so you can get it instantly our books collection spans in

integrated science for the caribbean sb3 by collins issuu - Oct 29 2022

web see full pdfdownload pdf workbook 3 answer key unit 1 lesson 3 1 2 sight 3 taste 4 hearing 5 touch 1 picture 1 sharp jagged large tall picture 2 smooth rounded small 2 2

integrated science workbook 3b answer pdf uniport edu - Aug 07 2023

web sep 27 2023 integrated science workbook 3b answer 1 1 downloaded from uniport edu ng on september 27 2023 by guest integrated science workbook 3b

the science of hormesis in health and longevity paperback - Mar 03 2022

web the science of hormesis in health and longevity provides a comprehensive review of mild stress induced physiological hormesis and its role in the maintenance and promotion of health coverage includes the underlying mechanisms of hormesis including details of stress response signaling an enriched environment positive challenges and dose

the science of hormesis in health and longevity sciencedirect - Aug 20 2023

web the science of hormesis in health and longevity provides a comprehensive review of mild stress induced physiological hormesis and its role in the maintenance and promotion of health coverage includes the underlying mechanisms of hormesis including details of stress response signaling an enriched environment positive challenges and dose

hormesis aging and longevity sciencedirect - Aug 08 2022

web oct 1 2009 hormesis longevity aging and resistance to stress in d melanogaster the d melanogaster fruitfly has been used in aging research for nearly a century e g 41 the advantages of this tiny fly are numerous short development time and mean longevity at 25 c respectively 9 10 days and 2 3 months well known genetics biochemistry

physiological hormesis and hormetins in biogerontology - Mar 15 2023

web mar 1 2022 finally some of the practical applications of hormesis for healthy aging and longevity could be single or multi hormetin formulations as nutritional supplements and cosmeceutical products and sr specific drugs for health such as calorie restriction mimetics exercise augmentors and mock inflammators the science of hormesis in

hormesis through low dose radiation sciencedirect - Jan 01 2022

web jan 1 2019 we present accumulating scientific evidence that exposure to low dose radiation might be not only harmless

but even beneficial for health bearing in mind social economic and ethical aspects of current Int based regulations and their extremely high price in both economic and human terms there is little doubt that these regulations

the science of hormesis in health and longevity researchgate - May 17 2023

web noncommunicable diseases ncds are the single biggest factor dominating health and longevity of modern humans the who states that 70 of global disease load is caused by ncd which are also

the science of hormesis in health and longevity paperback - Feb 02 2022

web oct 29 2018 overview the science of hormesis in health and longevity provides a comprehensive review of mild stress induced physiological hormesis and its role in the maintenance and promotion of health coverage includes the underlying mechanisms of hormesis including details of stress response signaling an enriched environment

the science of hormesis in health and longevity - Nov 11 2022

web the science of hormesis in health and longevity provides a comprehensive review of mild stress induced physiological hormesis and its role in the maintenance and promotion of health coverage includes the underlying mechanisms of hormesis including details of stress response signaling an enriched environment positive challenges and dose

science of hormesis in health and longevity open library - Oct 10 2022

web sep 20 2021 science of hormesis in health and longevity suresh rattan marios kyriazi not in library want to read 1 2 3 4 5 notes check nearby libraries library link worldcat

hormesis aging and longevity pubmed - May 05 2022

web hormesis aging and longevity the beneficial effects of mild stress or hormetic effects on aging and longevity have been studied for several years mild stress appears to slightly increase longevity delay behavioral aging and increase resistance to some stresses however not all stresses have such beneficial effects and fo

how does hormesis impact biology toxicology and medicine - Sep 09 2022

web sep 15 2017 hormesis refers to adaptive responses of biological systems to moderate environmental or self imposed challenges through which the system improves its functionality and or tolerance to more

the science of hormesis in health and longevity 1st edition - Jul 19 2023

web oct 23 2018 the science of hormesis in health and longevity provides a comprehensive review of mild stress induced physiological hormesis and its role in the maintenance and promotion of health coverage includes the underlying mechanisms of hormesis including details of stress response signaling an enriched environment

mindfulness health and longevity sciencedirect - Apr 16 2023

web jan 1 2019 the scientific literature suggests that long term stress compromises health and longevity here we examine the mechanisms between prolonged stress and health with a focus on neurological neuroendocrine immunological and

molecular manifestations of allostatic load and pathophysiological processes

hormesis for healthy aging sciencedirect - Jun 06 2022

web jan 1 2019 hormesis for healthy aging is therefore defined as the life supporting health beneficial effects resulting from the cellular responses to single or multiple rounds of mild stress 6 9 10

the science of hormesis in health and longevity amazon com - Jan 13 2023

web nov 12 2018 the science of hormesis in health and longevity provides a comprehensive review of mild stress induced physiological hormesis and its role in the maintenance and promotion of health coverage includes the underlying mechanisms of hormesis including details of stress response signaling an enriched environment

hormesis can and does work in humans pmc national - Apr 04 2022

web dec 10 2009 introduction if the general concept of physiological hormesis as being the phenomenon of achieving health beneficial effects by exposure to mild stress is accepted then hormesis is being applied already and successfully to humans the evidence for this is the well demonstrated health benefits of regular and moderate exercise

[nutritional hormesis in a modern environment sciencedirect](#) - Jul 07 2022

web jan 1 2019 some of these components appear to act as hormetins i e they exert a mild stress and in turn elicit and adaptive response that offers greater health advantages than the stress itself therefore nutritional hormesis play a vital role in the modern aging population by modulating the susceptibility to diseases

what is hormesis and its relevance to healthy aging and longevity - Jun 18 2023

web sep 8 2015 this paper provides a broad overview of hormesis a specific type of biphasic dose response its historical and scientific foundations as well as its biomedical applications especially with respect to aging

the science of hormesis in health and longevity sciencegate - Dec 12 2022

web the science of hormesis in health and longevity latest publications total documents 30 five years 30 h index 2 five years 2 published by elsevier 9780128142530 latest documents most cited documents contributed authors related sources related keywords latest documents most cited documents contributed

hormesis in health and chronic diseases pmc national center - Feb 14 2023

web hormesis was originally defined as a phenomenon in which exposure to a harmful substance gives beneficial effects to living organisms when the dose of the harmful substance is small the radiation hormesis is among the first documented examples

ncert solutions for class 10 science chapter 12 electricity - Jan 28 2022

web ncert solutions for class 10 science chapter 12 electricity provides answers and explanations to all the exercise questions provided in the textbook these ncert solutions has questions related to electric cells electric bulbs electric circuits switches

conductors and insulators and examples of conductors and insulators

[numerical problems on electric power and energy](#) - Jan 08 2023

web mar 2 2022 here we are providing numerical problems based on electrical power and energy these problems are useful for students studying in class 10 practice these questions to master these topics

[ncert solutions for class 10 science chapter 12 electricity](#) - Mar 30 2022

web sep 27 2019 ncert solutions for class 10 science chapter 12 electricity before getting into the details of ncert solutions for class 10 science chapter 12 electricity let s have an overview of the list of topics and subtopics under electricity class 10 ncert solutions electricity electric current and circuit

numerical questions for electricity class 10 science physics - Aug 15 2023

web given below are the class 10 science solved numerical questions for electricity question 1 a wire of length 3 m and area of cross section $1.7 \times 10^{-6} \text{ m}^2$ has a resistance $3 \times 10^{-2} \text{ ohm}$ a what is the formula for resistivity of the wire and what is the unit of it b calculate the resistivity of the wire solution a

[electricity class 10 ncert solutions notes numericals physics](#) - Feb 09 2023

web get ncert solutions notes numericals with solutions of chapter 12 class 10 ncert science electricity it is a physics chapter from which numericals always come in board exams at teachoo in addition to solving all the ncert back exercise questions we have also solved questions which are given in boxes between the chapter examples

[10th class physics solved numericals notes pdf download](#) - Aug 03 2022

web may 19 2022 10th class physics numerical solution all chapter the chapter wise only numericals are given not other notes like short questions long questions and mcqs are given these are only numericals problems from all chapter of physics of class 10 these notes are free to download in pdf

electricity difficult conceptual numericals toppr - Mar 10 2023

web class 10 physics electricity difficult conceptual numericals 1 min read electricity see what sort of numerical questions come from this chapter which are not easy to solve 1 an electric lamp of resistance 100Ω a toaster of resistance 50Ω and a water filter of resistance 500Ω are connected in parallel to a 220v source

electricity class 10 numerical cbse board practice - Jun 13 2023

web to solve various problems from electricity chapter we need to understand and remember for formula one is ohm s law a formula on resistivity series and parallel resistance formula and finally the power formula all the other formulas you might see in your book can be derived just by using these four that s that s what makes these four the most

electricity class 10 physics india science khan academy - Nov 06 2022

web quiz unit test about this unit we can t imagine our lives without electricity but what exactly is electricity how does

electricity light up our houses what does a battery do what is the cost of electricity we will answer all these questions in this chapter electric current circuit learn intro to charge unit of charge coulombs

[electricity class 10 numericals youtube](#) - Jul 02 2022

web feb 21 2020 click here for full physics course bit ly 2czxquielectricity class 10 numericals let s solve electricity numericals we will look at sums based on cbse exam class 10

[current electricity numerical problems class 10 physics](#) - Dec 07 2022

web class 10 physics notes chapter 14 current electricity numerical problems the notes contain solution of all the given numerical

[electricity class 10 numericals physicsteacher in](#) - Sep 04 2022

web may 28 2023 last updated on may 31st 2023 at 04 55 pm in this post we will solve a set of electricity class 10 numericals these numerical problems with the solution will be a real help for the students preparing for the class

[chapter12 electricity ncert](#) - Feb 26 2022

web the si unit of electric charge is coulomb c which is equivalent to the charge contained in nearly 6×10^{18} electrons we know that an electron possesses a negative charge of 1.6×10^{-19} c the electric current is expressed by a unit called ampere a named after the french scientist andre marie ampere 1775 1836 one ampere is

electricity class 10 important questions answers with numericals - Jun 01 2022

web feb 27 2023 electricity class 10 important questions and answers with numerical problems q no 1 multiple choice questions mcqs i a battery of 10 volts carries 20 000 c of charge through a resistance of 20Ω the work done in 10 seconds is a 2×10^2 joule b 2×10^5 joule c 2×10^4 joule d 2×10^3 joule

[physics electricity toppr](#) - Apr 30 2022

web learn the concepts of physics electricity with videos and stories do you know what happens when electricity flows through a liquid or a solution some amount of chemical change takes place in that liquid or solution this is what we call the chemical effects of electric current let us also study what electroplating is to understand this concept in

[electricity class 10 cbse previous question paper problems khan academy](#) - Jul 14 2023

web prepare for class 10 cbse exam using this analysis of the last 10 years question papers from the chapter electricity explore common and important questions with solutions let s explore some of the main types of problems that appeared in the last ten years of cbse board exams arranged by subtopic

electricity class 10 important questions with answers science - May 12 2023

web jul 20 2022 learncbse in has given electricity chapter wise important question for class 10 science this consists of 1 mark questions 3 mark numericals questions 5 marks numerical questions and previous year questions from electricity

chapter

[practice problems for electricity class 10 teachoo science](#) - Apr 11 2023

web may 29 2023 extra question a current of 1 a is drawn by a filament of an electric bulb number of electrons passing through a cross section of the filament in 16 seconds would be roughly a 1020 b 1016 c 1018 d 1023 current drawn i 1 a time taken t 16 s we need to find number of electro

numerical problems in electricity lesson class 10 physics - Dec 27 2021

web this video about the numerical problems in the 10th standard electricity about press copyright contact us creators

advertise developers terms privacy policy safety how

[numerical problems and notes current electricity icse class 10 physics](#) - Oct 05 2022

web apr 13 2021 students can refer to the numerical problems prepared for chapter current electricity in class 10 icse these notes will be really helpful for the students giving the physics exam in icse class 10 our teachers have prepared these concept notes based on the latest icse syllabus and icse books issued for the current academic year