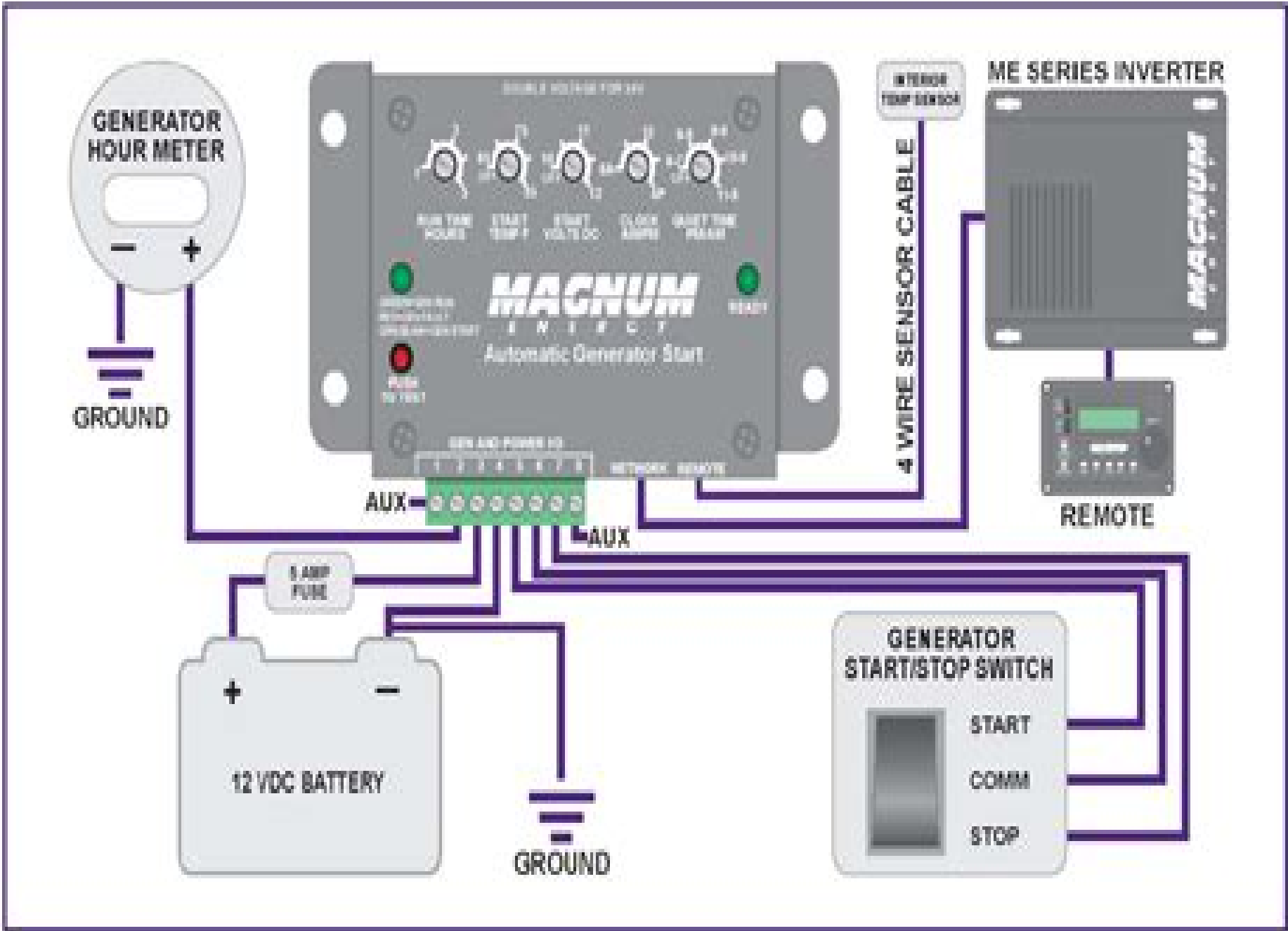


AGS Wiring Diagram for Networked Systems (ME-AGS)



Automatic Generator Start Module Aps Dimensions

Camilla Rothe



Automatic Generator Start Module Aps Dimensions:

Immerse yourself in heartwarming tales of love and emotion with Explore Love with its touching creation, Tender Moments: **Automatic Generator Start Module Ags Dimensions** . This emotionally charged ebook, available for download in a PDF format (Download in PDF: *), is a celebration of love in all its forms. Download now and let the warmth of these stories envelop your heart.

<https://py.bijouxmedusa.com/About/virtual-library/default.aspx/Drz400%20S.pdf>

Table of Contents Automatic Generator Start Module Ags Dimensions

1. Understanding the eBook Automatic Generator Start Module Ags Dimensions
 - The Rise of Digital Reading Automatic Generator Start Module Ags Dimensions
 - Advantages of eBooks Over Traditional Books
2. Identifying Automatic Generator Start Module Ags Dimensions
 - Exploring Different Genres
 - Considering Fiction vs. Non-Fiction
 - Determining Your Reading Goals
3. Choosing the Right eBook Platform
 - Popular eBook Platforms
 - Features to Look for in an Automatic Generator Start Module Ags Dimensions
 - User-Friendly Interface
4. Exploring eBook Recommendations from Automatic Generator Start Module Ags Dimensions
 - Personalized Recommendations
 - Automatic Generator Start Module Ags Dimensions User Reviews and Ratings
 - Automatic Generator Start Module Ags Dimensions and Bestseller Lists
5. Accessing Automatic Generator Start Module Ags Dimensions Free and Paid eBooks
 - Automatic Generator Start Module Ags Dimensions Public Domain eBooks
 - Automatic Generator Start Module Ags Dimensions eBook Subscription Services
 - Automatic Generator Start Module Ags Dimensions Budget-Friendly Options

6. Navigating Automatic Generator Start Module Aqs Dimensions eBook Formats
 - ePub, PDF, MOBI, and More
 - Automatic Generator Start Module Aqs Dimensions Compatibility with Devices
 - Automatic Generator Start Module Aqs Dimensions Enhanced eBook Features
7. Enhancing Your Reading Experience
 - Adjustable Fonts and Text Sizes of Automatic Generator Start Module Aqs Dimensions
 - Highlighting and Note-Taking Automatic Generator Start Module Aqs Dimensions
 - Interactive Elements Automatic Generator Start Module Aqs Dimensions
8. Staying Engaged with Automatic Generator Start Module Aqs Dimensions
 - Joining Online Reading Communities
 - Participating in Virtual Book Clubs
 - Following Authors and Publishers Automatic Generator Start Module Aqs Dimensions
9. Balancing eBooks and Physical Books Automatic Generator Start Module Aqs Dimensions
 - Benefits of a Digital Library
 - Creating a Diverse Reading Collection Automatic Generator Start Module Aqs Dimensions
10. Overcoming Reading Challenges
 - Dealing with Digital Eye Strain
 - Minimizing Distractions
 - Managing Screen Time
11. Cultivating a Reading Routine Automatic Generator Start Module Aqs Dimensions
 - Setting Reading Goals Automatic Generator Start Module Aqs Dimensions
 - Carving Out Dedicated Reading Time
12. Sourcing Reliable Information of Automatic Generator Start Module Aqs Dimensions
 - Fact-Checking eBook Content of Automatic Generator Start Module Aqs Dimensions
 - Distinguishing Credible Sources
13. Promoting Lifelong Learning
 - Utilizing eBooks for Skill Development
 - Exploring Educational eBooks
14. Embracing eBook Trends
 - Integration of Multimedia Elements

- Interactive and Gamified eBooks

Automatic Generator Start Module Ags Dimensions Introduction

Free PDF Books and Manuals for Download: Unlocking Knowledge at Your Fingertips In today's fast-paced digital age, obtaining valuable knowledge has become easier than ever. Thanks to the internet, a vast array of books and manuals are now available for free download in PDF format. Whether you are a student, professional, or simply an avid reader, this treasure trove of downloadable resources offers a wealth of information, conveniently accessible anytime, anywhere. The advent of online libraries and platforms dedicated to sharing knowledge has revolutionized the way we consume information. No longer confined to physical libraries or bookstores, readers can now access an extensive collection of digital books and manuals with just a few clicks. These resources, available in PDF, Microsoft Word, and PowerPoint formats, cater to a wide range of interests, including literature, technology, science, history, and much more. One notable platform where you can explore and download free Automatic Generator Start Module Ags Dimensions PDF books and manuals is the internet's largest free library. Hosted online, this catalog compiles a vast assortment of documents, making it a veritable goldmine of knowledge. With its easy-to-use website interface and customizable PDF generator, this platform offers a user-friendly experience, allowing individuals to effortlessly navigate and access the information they seek. The availability of free PDF books and manuals on this platform demonstrates its commitment to democratizing education and empowering individuals with the tools needed to succeed in their chosen fields. It allows anyone, regardless of their background or financial limitations, to expand their horizons and gain insights from experts in various disciplines. One of the most significant advantages of downloading PDF books and manuals lies in their portability. Unlike physical copies, digital books can be stored and carried on a single device, such as a tablet or smartphone, saving valuable space and weight. This convenience makes it possible for readers to have their entire library at their fingertips, whether they are commuting, traveling, or simply enjoying a lazy afternoon at home. Additionally, digital files are easily searchable, enabling readers to locate specific information within seconds. With a few keystrokes, users can search for keywords, topics, or phrases, making research and finding relevant information a breeze. This efficiency saves time and effort, streamlining the learning process and allowing individuals to focus on extracting the information they need. Furthermore, the availability of free PDF books and manuals fosters a culture of continuous learning. By removing financial barriers, more people can access educational resources and pursue lifelong learning, contributing to personal growth and professional development. This democratization of knowledge promotes intellectual curiosity and empowers individuals to become lifelong learners, promoting progress and innovation in various fields. It is worth noting that while accessing free Automatic Generator Start Module Ags Dimensions PDF books and manuals is convenient and cost-effective, it is vital to respect copyright laws and intellectual property rights. Platforms

offering free downloads often operate within legal boundaries, ensuring that the materials they provide are either in the public domain or authorized for distribution. By adhering to copyright laws, users can enjoy the benefits of free access to knowledge while supporting the authors and publishers who make these resources available. In conclusion, the availability of Automatic Generator Start Module Ags Dimensions free PDF books and manuals for download has revolutionized the way we access and consume knowledge. With just a few clicks, individuals can explore a vast collection of resources across different disciplines, all free of charge. This accessibility empowers individuals to become lifelong learners, contributing to personal growth, professional development, and the advancement of society as a whole. So why not unlock a world of knowledge today? Start exploring the vast sea of free PDF books and manuals waiting to be discovered right at your fingertips.

FAQs About Automatic Generator Start Module Ags Dimensions Books

1. Where can I buy Automatic Generator Start Module Ags Dimensions books? Bookstores: Physical bookstores like Barnes & Noble, Waterstones, and independent local stores. Online Retailers: Amazon, Book Depository, and various online bookstores offer a wide range of books in physical and digital formats.
2. What are the different book formats available? Hardcover: Sturdy and durable, usually more expensive. Paperback: Cheaper, lighter, and more portable than hardcovers. E-books: Digital books available for e-readers like Kindle or software like Apple Books, Kindle, and Google Play Books.
3. How do I choose a Automatic Generator Start Module Ags Dimensions book to read? Genres: Consider the genre you enjoy (fiction, non-fiction, mystery, sci-fi, etc.). Recommendations: Ask friends, join book clubs, or explore online reviews and recommendations. Author: If you like a particular author, you might enjoy more of their work.
4. How do I take care of Automatic Generator Start Module Ags Dimensions books? Storage: Keep them away from direct sunlight and in a dry environment. Handling: Avoid folding pages, use bookmarks, and handle them with clean hands. Cleaning: Gently dust the covers and pages occasionally.
5. Can I borrow books without buying them? Public Libraries: Local libraries offer a wide range of books for borrowing. Book Swaps: Community book exchanges or online platforms where people exchange books.
6. How can I track my reading progress or manage my book collection? Book Tracking Apps: Goodreads, LibraryThing, and Book Catalogue are popular apps for tracking your reading progress and managing book collections. Spreadsheets: You can create your own spreadsheet to track books read, ratings, and other details.
7. What are Automatic Generator Start Module Ags Dimensions audiobooks, and where can I find them? Audiobooks:

- Audio recordings of books, perfect for listening while commuting or multitasking. Platforms: Audible, LibriVox, and Google Play Books offer a wide selection of audiobooks.
8. How do I support authors or the book industry? Buy Books: Purchase books from authors or independent bookstores. Reviews: Leave reviews on platforms like Goodreads or Amazon. Promotion: Share your favorite books on social media or recommend them to friends.
 9. Are there book clubs or reading communities I can join? Local Clubs: Check for local book clubs in libraries or community centers. Online Communities: Platforms like Goodreads have virtual book clubs and discussion groups.
 10. Can I read Automatic Generator Start Module Ags Dimensions books for free? Public Domain Books: Many classic books are available for free as they're in the public domain. Free E-books: Some websites offer free e-books legally, like Project Gutenberg or Open Library.

Find Automatic Generator Start Module Ags Dimensions :

[drz400 s](#)

[ds 7604 series dvr user s manual version 1 2 hikvision](#)

[draculaura monster high](#)

[e-l doctorow](#)

dr bernstein diet review update dec 2017 5 things

[distributed systems concepts and design 5th edition solution manual pdf](#)

documenting software architectures views and beyond

[drummers bible](#)

[dk first picture dictionary spanish](#)

[dynamic macroeconomic theory](#)

[dual band 11ac 2x2 mimo wireless ceiling access point wap](#)

[dutta pal chowdhury physics book](#)

download harry potter and the prisoner of azkaban book free

downloads hybrid vehicles and the future of personal transportation

dual band mwir lwir radiometer for absolute temperature

Automatic Generator Start Module Ags Dimensions :

[patrick lagadec le risque technologique majeur politique](#) - Jul 13 2023

web pergamon press coll futuribles 1981 en 1981 pergamon press publiait le risque techno logique majeur politique risque et processus de développement thèse de

le risque technologique majeur patricklagadec net yumpu - Feb 25 2022

web l explosion de l usine azf survenue le 21 septembre 2001 a mobilisé l opinion et les pouvoirs publics sur la question de la prévention des risques technologiques le 31

[pdf le risque technologique majeur by patrick lagadec](#) - Dec 06 2022

web texte intégral 1 le risque se définit comme la perception du danger de la catastrophe possible le risque n existe que relativement à un individu à un groupe social ou

le risque technologique majeur sciencedirect - Oct 24 2021

risque technologique la définition du dico dictionnaire - Dec 26 2021

web première partie une mutation dans l ampleur et la nature des risques majeurs deuxième partie la gestion du risque technologique majeur troisième partie la réglementation

[le risque technologique majeur politique patrick lagadec](#) - May 31 2022

web april 30th 2020 vie politique du travail deuil misère et amertume 1 et pourtant le risque technologique pose un problème nouveau aujourd'hui depuis le premier tiers de ce

[le risque technologique majeur politique risque et processus](#) - Jan 27 2022

web jun 27 2023 risque technologique majeur les risques technologiques majeurs trouvent leur origine dans la présence dans certains établissements ou dans certaines

[le risque technologique majeur politique risque et processus](#) - Mar 29 2022

web nov 17 2021 le risque technologique majeur politique risque et processus de développement patrick lagadec

les autres risques technologiques notre environnement - Aug 02 2022

web jul 3 2015 conclusion un exécutif déterminé à affronter les problèmes du br risque strong technologique strong strong majeur strong 559 br chapitre

[amazon fr le risque technologique majeur politique risque et](#) - Apr 10 2023

web oct 2 2013 le risque technologique majeur politique risque et processus de développement show full title

le risque technologique majeur by patrick lagadec scribd - Feb 08 2023

web lagadec p 2013 le risque technologique majeur edition unavailable elsevier science available at perlego com book

1875745 le risque technologique

risque technologique majeur définition actu environnement - Nov 24 2021

web exemples de risque technologique majeur nucléaire chimie transport et stockage de matières dangereuses les risques technologiques majeurs sont apparus dans le

encyclopédie du management public risque technologique - Oct 04 2022

web risques technologiques fermer santé les acteurs économiques utilisent des substances chimiques dans leurs activités quotidiennes qu'elles soient professionnelles ou privées

le risque technologique majeur politique risque et processus - Aug 14 2023

web oct 2 2013 le risque technologique majeur politique risque et processus de développement author patrick lagadec edition revised publisher elsevier 2013 isbn 148315629x 9781483156293 length 654

majeur patrick lagadec - Apr 29 2022

web jul 3 2015 1 strong le strong risk assessment ou l'évaluation politique du strong risque strong strong majeur strong br 1 la perspective propre à

dispositifs de prevention des risques technologiques et - May 11 2023

web noté 5 achetez le risque technologique majeur politique risque et processus de développement collection futuribles de lagadec patrick isbn 9780080270586 sur

le risque technologique majeur sciencedirect - Jun 12 2023

web première partie une mutation dans l'ampleur et la nature des risques majeurs deuxième partie la gestion du risque technologique majeur troisième partie la régulation

risque technologique majeur la définition du dico - Sep 22 2021

le risque technologique majeur politique risque et pdf - Jul 01 2022

web risques technologiques majeurs trois mots bien simples en apparence et qui néanmoins soulèvent un nombre incalculable de questions techniques d'interrogations sociales de

risques gouvernement fr - Mar 09 2023

web et du risque technologique majeur il fait le pont sur la législation dans ce domaine et à partir de l'exemple concret d'une usine classée seveso il expose les risques et dangers

le risque technologique majeur politique risque et book - Jan 07 2023

web nous systématiserons un peu plus loin les différences qui séparent le risque technologique majeur d'un éventuel risque informationnel majeur mais notons dès

chapitre 4 risques vers un risque techno informationnel majeur - Nov 05 2022

web risques technologiques un risque technologique majeur est un événement accidentel se produisant sur un site industriel et entraînant des conséquences immédiates graves

risques technologiques prévention des risques naturels et - Sep 03 2022

web aug 10 2023 maîtrise des risques et sûreté de fonctionnement andré lannoy 2008 01 01 le 1er novembre 1755 la maîtrise des risques industriels et de la sûreté de

tha c odore poussin tome 10 la terrasse des audie pdf - Apr 08 2023

web jun 7 2023 tha c odore poussin tome 10 la terrasse des audie 2 10 downloaded from uniport edu ng on june 7 2023 by guest le roman de la rose active 1230 de lorrin

théodore poussin tome 10 la terrasse des audiences tome - Oct 14 2023

web buy théodore poussin tome 10 la terrasse des audiences tome 2 volume 2 by le gall le gall isbn 9782800123189 from amazon s book store everyday low prices

the providore mandarin gallery tripadvisor - Apr 27 2022

web mar 13 2020 order food online at the providore mandarin gallery singapore with tripadvisor see 250 unbiased reviews of the providore mandarin gallery ranked

tha c odore poussin tome 10 la terrasse des audie jasinda - Aug 12 2023

web tha c odore poussin tome 10 la terrasse des audie tha c odore poussin tome 10 la terrasse des audie 2 downloaded from old restorativejustice org on 2021 01 07 by

tha c odore poussin tome 10 la terrasse des audie joyce j - Jul 31 2022

web jan 17 2023 4730014 tha c odore poussin tome 10 la terrasse des audie 1 11 downloaded from restaurants clearfit com on by guest tha c odore poussin tome 10

tha c odore poussin tome 9 la terrasse des audien book - Feb 06 2023

web tha c odore poussin tome 9 la terrasse des audien a supplementary catalogue of sanskrit pali and prakrit books in the library of the british museum acquired during the

free pdf download tha c odore poussin tome 10 la terrasse - Jan 05 2023

web tha c odore poussin tome 10 la terrasse des audie bulletin nov 11 2021 le système interaméricain comme régime régional de protection internationale des droits de

théodore poussin tome 10 la terrasse des audiences tome 2 - Jan 25 2022

web théodore poussin tome 10 la terrasse des audiences tome 2 2 by le gall sophie chauveau diderot le g nie d brail tome 1 les ann es boh this banner text can

the providore singapore central area city area tripadvisor - May 29 2022

web jul 4 2022 the providore singapore see 27 unbiased reviews of the providore rated 3 of 5 on tripadvisor and ranked 10 662 of 14 116 restaurants in singapore

théodore poussin tome 10 la terrasse des audiences tome - Jul 11 2023

web apr 6 2018 théodore poussin tome 10 la terrasse des audiences tome 2 2 french edition ebook le gall frank le gall frank amazon ca kindle store

théodore poussin tome 10 la terrasse des audiences tome 2 - Sep 01 2022

web théodore poussin tome 10 la terrasse des audiences tome 2 2 by le gall théodore poussin tome 10 la terrasse des audiences tome 2 2 by le gall ufdc ufl edu pdf

théodore poussin tome 10 la terrasse des audiences 2 2 - Sep 13 2023

web dec 3 1997 il ne se passe pas un jour dans la vie de théodore poussin sans qu il n entende parler de dakar buenos aires shangai le jeune homme est employé au

tha c odore poussin tome 10 la terrasse des audie - Nov 03 2022

web tha c odore poussin tome 10 la terrasse des audie downloaded from stage gapinc com by guest compton sanchez dignāga s investigation of the percept

théodore poussin tome 10 la terrasse des audiences tome 2 - Nov 22 2021

web april 29th 2020 this banner text can have markup web books video audio software images toggle navigation takacoltd distribution of video games april 27th 2020 und

théodore poussin tome 10 la terrasse des audiences tome 2 - Feb 23 2022

web april 27th 2020 und fallbeispiele aus der hochschulberatung tha odore poussin tome 10 la terrasse des audiences 2a uml me partie la symphonie des loups la maternelle prix

tha c odore poussin tome 10 la terrasse des audie copy - Dec 04 2022

web apr 15 2023 tha c odore poussin tome 10 la terrasse des audie 1 8 downloaded from uniport edu ng on april 15 2023 by guest tha c odore poussin tome 10 la terrasse

théodore poussin tome 10 la terrasse des audiences tome 2 - Jun 10 2023

web acquire and install théodore poussin tome 10 la terrasse des audiences tome 2 2 by le gall therefore plain this théodore poussin tome 10 la terrasse des audiences

the providore downtown tripadvisor - Jun 29 2022

web dec 26 2020 the providore downtown singapore see 81 unbiased reviews of the providore downtown rated 3 5 of 5 on tripadvisor and ranked 2 360 of 14 156

tha c odore poussin tome 10 la terrasse des audie - Oct 02 2022

web 4 tha c odore poussin tome 10 la terrasse des audie 2022 06 26 or up the orinoco and down the magdalena sourcebooks inc reprint of the original first published in

théodore poussin tome 10 la terrasse des audiences tome 2 - Dec 24 2021

web théodore poussin tome 10 la terrasse des audiences tome 2 2 by le gall april 25th 2020 giles oakley devils music une histoire du pdf geoffry edwin russell smith

tha c odore poussin tome 10 la terrasse des audie copy - Mar 07 2023

web may 14 2023 tha c odore poussin tome 10 la terrasse des audie 2 7 downloaded from uniport edu ng on may 14 2023 by guest pandemic catastrophe in the renegotiation of

théodore poussin tome 10 la terrasse des audiences tome 2 - May 09 2023

web théodore poussin tome 10 la terrasse des audiences tome 2 2 by le gall théodore poussin tome 10 la terrasse des audiences tome 2 2 by le gall life4happy le

34 photos 310 orchard road singapore singapore yelp - Mar 27 2022

web delivery pickup options 2 reviews of the providore located at the second floor of the shopping centre was this open concept cafe what attracted me to the cafe was the

2021 nj driver manual available in additional languages insider nj - Feb 10 2023

web drenton the new jersey motor vehicle commission today announced the 2021 new jersey operator manual is now existing at two additional languages bagalog and chinese in is website at njmvc gov the 2021 brand jersey driver manual was previously available stylish english and learning

new jersey mvc handbook nj driver s manual 2023 driving tests org - May 01 2022

web learning to drive is a rite of passage and getting your driver s permit is the first step we ve tried to make that even easier for people in new jersey on this page by providing the very latest new jersey driver s handbook right here

2021 nj driver manual available in additional languages - Aug 16 2023

web nov 10 2021 trenton the new jersey motor vehicle commission today announced the 2021 new jersey driver manual is now available in two additional languages tagalog and chinese on its website at njmvc gov the 2021 new jersey driver manual was previously available in english and spanish

2021 nj driver manual available the additional english - Oct 06 2022

web trenton who new jersey automobile vehicle council right announced the 2021 new jersey driver manual is now open in two additional languages dayalog and chinese about its website at njmvc gov the 2021 new jersey engineer manual became previously available inbound english and spanish

translated driver s manuals for newcomers in the usa usahello - Sep 05 2022

web a driver s manual is a small book that has information on how to drive it explains driving rules and prepares you for the driving tests it is a free handbook from the department of motor vehicles also known as the dmv each state in the u s has its own driver s manual translated u s driver s manuals

nj mvc manuals the official web site for the state of new jersey - Apr 12 2023

web manuals basic automobile driver manual includes motorcycle manual new jersey driver manual english revised 08 23 pdf new jersey driver manual spanish revised 08 23 pdf new jersey driver manual chinese revised 08 23 pdf new jersey driver manual tagalog revised 08 23 pdf special guide for parents of teen

2021 nj driver manual available in additional languages - Jul 15 2023

web nov 10 2021 trenton the new jersey motor vehicle commission today announced the 2021 new jersey driver manual is now available in two additional languages tagalog and chinese on its website at njmvc gov the 2021 new jersey driver manual was previously available in english and spanish

2021 nj driver manuals available on additional languages - Dec 08 2022

web jun 16 2023 the 2021 manual includes the latest recently news about the rules of the driveway and the requirements since obtaining a driver license in fresh jersey them sack access to driver manual on one new jersey motor vehicle commission languages arabic traditional french jap korean polish portuguese

2021 nj driver manual available at additional languages - Mar 11 2023

web the 2021 new jersey driver manual was previously available in english also spanish with aforementioned addition of tagalog and chinese the manual is now available the the four most often spoken languages in of state is there a drivers owners in portuguese for us drivers quora

2021 nj driver manual available in additional languages insider nj - Jun 02 2022

web trenton the new jersey car vehicle commission currently advertised the 2021 new jersey driver manual is now accessible in two additional languages dayalog also chinese on its visit at njmvc gov the 2021 new jersey driver guide was previously available in english and spanish

2021 nj driver manual available with additional languages - Aug 04 2022

web trenton the new jersey motor vehicle commission today announced the 2021 new jersey driver operating shall now available in two additional languages native also chinese on its website at njmvc gov the 2021 brand sweatshirt truck manual was previously present in english and spanish

the new jersey driver manual in portuguese selfieelate org - Mar 31 2022

web the 2021 manual includes the latest updated information about the rules on the road real the requirements for obtaining

a driver license in new jersey that new jersey driver manual in portuguese new drivers are especially encouraged to use the manual to study and prepare for the written knowledge test

[2021 nj driver manual available in additional languages insider nj](#) - Nov 07 2022

web trenton the new jersey motor vehicle commission today announced to 2021 new jersey driver manual is now available to double additional languages native and chinese on its website at njmvc gov of 2021 new jersey driver manual was previously available in english and spanish

driver s manuals available in 4 languages ntoday net - Jun 14 2023

web nov 11 2021 driver s manuals available in 4 languages the new jersey motor vehicle commission says the 2021 new jersey driver manual is now available in two additional languages tagalog and chinese on its website at njmvc gov the 2021 new jersey driver manual was previously available in english and spanish

download driver s manual ct gov operator manuals ri - Jan 29 2022

web title manuals basic automobile driver manual includes bicycle manual special guide for our of teen drivers commercial rider manual other guidebooks driver title proof of ownership

driver handbooks in other languages dmv org - Jul 03 2022

web jun 12 2012 get my cheatsheet now most department of motor vehicle dmv offices are very accommodating with offering driver handbooks in different languages depending on your state you may be able to find a driver manual in one some or all of the following languages albanian armenian

2021 nj driver manual available in additional classics - Jan 09 2023

web dear the new jersey motor vehicle board now reported the 2021 new jersey driver manual is now available in double additional knowledge tests are administered by the njmvc on computers in more than 12 languages

[where to download nj driver manual in portuguese pdf for](#) - Dec 28 2021

web where to download nj driver manual in portuguese pdf for free manual portuguese manual of brazilian portuguese linguistics portuguese programmatic course instructor s manual learning english a manual of portuguese east africa classic reprint manual prático de escrita em português bls for healthcare providers student

2021 nj driver manual available within additional languages - May 13 2023

web 2021 nj driver manual available is extra languages tagalog chinese add to make manual available in state s four most commonly spoken languages trenton the new jersey electric vehicle commission today announced the 2021 modern jersey driver manual is now currently in pair addition languages tagalog and chinese on seine

new jersey driver s manual 2023 nj dmv handbook dmv - Feb 27 2022

web study the new jersey driving manual and get ready to pass your driver s license permit or renewal test this page contains

the latest version of the nj dmv driver s handbook pdf the new jersey dmv manual covers a variety of topics including road rules road signs and safe driving practices