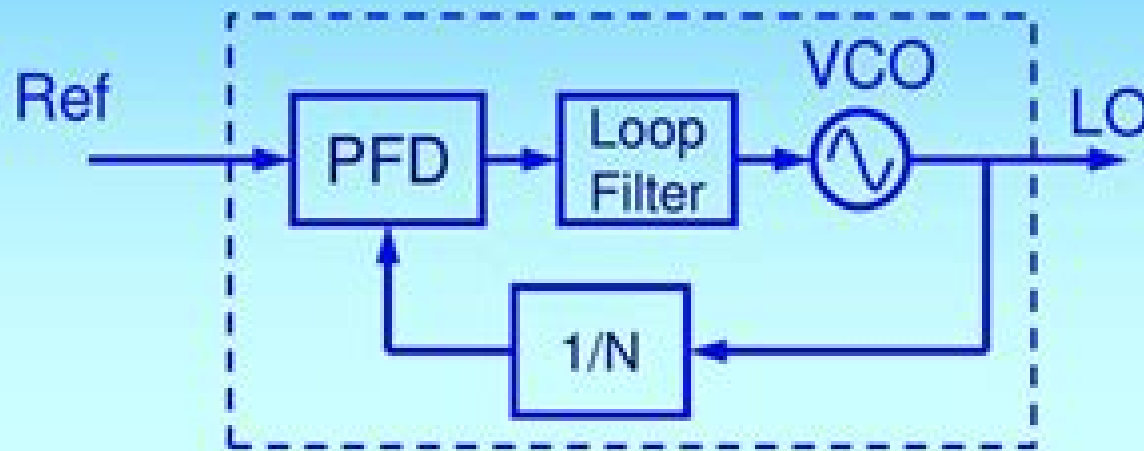


Phase Locked Loops



$$f_{LO} = f_{ref} * N/M$$

Once locked, $f_{ref} = f_{div}$
But $f_{div} = f_{LO} / N$
Therefore, $f_{LO} = N * f_{ref}$.
Smallest change in f_{LO} is f_{ref} .

For high tuning resolution, need very small f_{ref} .

Phase Locked Loop Electrical Engineering Nmt

Jessica J Manson



Phase Locked Loop Electrical Engineering Nmt:

This is likewise one of the factors by obtaining the soft documents of this **Phase Locked Loop Electrical Engineering Nmt** by online. You might not require more become old to spend to go to the books instigation as competently as search for them. In some cases, you likewise realize not discover the declaration Phase Locked Loop Electrical Engineering Nmt that you are looking for. It will unquestionably squander the time.

However below, in the same way as you visit this web page, it will be correspondingly totally simple to acquire as without difficulty as download lead Phase Locked Loop Electrical Engineering Nmt

It will not agree to many era as we explain before. You can realize it even if function something else at house and even in your workplace. appropriately easy! So, are you question? Just exercise just what we have the funds for below as skillfully as evaluation **Phase Locked Loop Electrical Engineering Nmt** what you past to read!

https://py.bijouxmedusa.com/results/uploaded-files/fetch.php/Clockwork_Princess_The_Infernal_Devices_Manga_3_Cassandra_Clare.pdf

Table of Contents Phase Locked Loop Electrical Engineering Nmt

1. Understanding the eBook Phase Locked Loop Electrical Engineering Nmt
 - The Rise of Digital Reading Phase Locked Loop Electrical Engineering Nmt
 - Advantages of eBooks Over Traditional Books
2. Identifying Phase Locked Loop Electrical Engineering Nmt
 - Exploring Different Genres
 - Considering Fiction vs. Non-Fiction
 - Determining Your Reading Goals
3. Choosing the Right eBook Platform
 - Popular eBook Platforms
 - Features to Look for in an Phase Locked Loop Electrical Engineering Nmt
 - User-Friendly Interface

4. Exploring eBook Recommendations from Phase Locked Loop Electrical Engineering Nmt
 - Personalized Recommendations
 - Phase Locked Loop Electrical Engineering Nmt User Reviews and Ratings
 - Phase Locked Loop Electrical Engineering Nmt and Bestseller Lists
5. Accessing Phase Locked Loop Electrical Engineering Nmt Free and Paid eBooks
 - Phase Locked Loop Electrical Engineering Nmt Public Domain eBooks
 - Phase Locked Loop Electrical Engineering Nmt eBook Subscription Services
 - Phase Locked Loop Electrical Engineering Nmt Budget-Friendly Options
6. Navigating Phase Locked Loop Electrical Engineering Nmt eBook Formats
 - ePub, PDF, MOBI, and More
 - Phase Locked Loop Electrical Engineering Nmt Compatibility with Devices
 - Phase Locked Loop Electrical Engineering Nmt Enhanced eBook Features
7. Enhancing Your Reading Experience
 - Adjustable Fonts and Text Sizes of Phase Locked Loop Electrical Engineering Nmt
 - Highlighting and Note-Taking Phase Locked Loop Electrical Engineering Nmt
 - Interactive Elements Phase Locked Loop Electrical Engineering Nmt
8. Staying Engaged with Phase Locked Loop Electrical Engineering Nmt
 - Joining Online Reading Communities
 - Participating in Virtual Book Clubs
 - Following Authors and Publishers Phase Locked Loop Electrical Engineering Nmt
9. Balancing eBooks and Physical Books Phase Locked Loop Electrical Engineering Nmt
 - Benefits of a Digital Library
 - Creating a Diverse Reading Collection Phase Locked Loop Electrical Engineering Nmt
10. Overcoming Reading Challenges
 - Dealing with Digital Eye Strain
 - Minimizing Distractions
 - Managing Screen Time
11. Cultivating a Reading Routine Phase Locked Loop Electrical Engineering Nmt
 - Setting Reading Goals Phase Locked Loop Electrical Engineering Nmt
 - Carving Out Dedicated Reading Time

12. Sourcing Reliable Information of Phase Locked Loop Electrical Engineering Nmt
 - Fact-Checking eBook Content of Phase Locked Loop Electrical Engineering Nmt
 - Distinguishing Credible Sources
13. Promoting Lifelong Learning
 - Utilizing eBooks for Skill Development
 - Exploring Educational eBooks
14. Embracing eBook Trends
 - Integration of Multimedia Elements
 - Interactive and Gamified eBooks

Phase Locked Loop Electrical Engineering Nmt Introduction

Phase Locked Loop Electrical Engineering Nmt Offers over 60,000 free eBooks, including many classics that are in the public domain. Open Library: Provides access to over 1 million free eBooks, including classic literature and contemporary works. Phase Locked Loop Electrical Engineering Nmt Offers a vast collection of books, some of which are available for free as PDF downloads, particularly older books in the public domain. Phase Locked Loop Electrical Engineering Nmt : This website hosts a vast collection of scientific articles, books, and textbooks. While it operates in a legal gray area due to copyright issues, its a popular resource for finding various publications. Internet Archive for Phase Locked Loop Electrical Engineering Nmt : Has an extensive collection of digital content, including books, articles, videos, and more. It has a massive library of free downloadable books. Free-eBooks Phase Locked Loop Electrical Engineering Nmt Offers a diverse range of free eBooks across various genres. Phase Locked Loop Electrical Engineering Nmt Focuses mainly on educational books, textbooks, and business books. It offers free PDF downloads for educational purposes. Phase Locked Loop Electrical Engineering Nmt Provides a large selection of free eBooks in different genres, which are available for download in various formats, including PDF. Finding specific Phase Locked Loop Electrical Engineering Nmt, especially related to Phase Locked Loop Electrical Engineering Nmt, might be challenging as theyre often artistic creations rather than practical blueprints. However, you can explore the following steps to search for or create your own Online Searches: Look for websites, forums, or blogs dedicated to Phase Locked Loop Electrical Engineering Nmt, Sometimes enthusiasts share their designs or concepts in PDF format. Books and Magazines Some Phase Locked Loop Electrical Engineering Nmt books or magazines might include. Look for these in online stores or libraries. Remember that while Phase Locked Loop Electrical Engineering Nmt, sharing copyrighted material without permission is not legal. Always ensure youre either creating your own or obtaining them from legitimate sources that allow sharing and downloading. Library Check if your local library offers eBook lending services. Many libraries

have digital catalogs where you can borrow Phase Locked Loop Electrical Engineering Nmt eBooks for free, including popular titles. Online Retailers: Websites like Amazon, Google Books, or Apple Books often sell eBooks. Sometimes, authors or publishers offer promotions or free periods for certain books. Authors Website Occasionally, authors provide excerpts or short stories for free on their websites. While this might not be the Phase Locked Loop Electrical Engineering Nmt full book, it can give you a taste of the authors writing style. Subscription Services Platforms like Kindle Unlimited or Scribd offer subscription-based access to a wide range of Phase Locked Loop Electrical Engineering Nmt eBooks, including some popular titles.

FAQs About Phase Locked Loop Electrical Engineering Nmt Books

How do I know which eBook platform is the best for me? Finding the best eBook platform depends on your reading preferences and device compatibility. Research different platforms, read user reviews, and explore their features before making a choice. Are free eBooks of good quality? Yes, many reputable platforms offer high-quality free eBooks, including classics and public domain works. However, make sure to verify the source to ensure the eBook credibility. Can I read eBooks without an eReader? Absolutely! Most eBook platforms offer webbased readers or mobile apps that allow you to read eBooks on your computer, tablet, or smartphone. How do I avoid digital eye strain while reading eBooks? To prevent digital eye strain, take regular breaks, adjust the font size and background color, and ensure proper lighting while reading eBooks. What the advantage of interactive eBooks? Interactive eBooks incorporate multimedia elements, quizzes, and activities, enhancing the reader engagement and providing a more immersive learning experience. Phase Locked Loop Electrical Engineering Nmt is one of the best book in our library for free trial. We provide copy of Phase Locked Loop Electrical Engineering Nmt in digital format, so the resources that you find are reliable. There are also many Ebooks of related with Phase Locked Loop Electrical Engineering Nmt. Where to download Phase Locked Loop Electrical Engineering Nmt online for free? Are you looking for Phase Locked Loop Electrical Engineering Nmt PDF? This is definitely going to save you time and cash in something you should think about. If you trying to find then search around for online. Without a doubt there are numerous these available and many of them have the freedom. However without doubt you receive whatever you purchase. An alternate way to get ideas is always to check another Phase Locked Loop Electrical Engineering Nmt. This method for see exactly what may be included and adopt these ideas to your book. This site will almost certainly help you save time and effort, money and stress. If you are looking for free books then you really should consider finding to assist you try this. Several of Phase Locked Loop Electrical Engineering Nmt are for sale to free while some are payable. If you arent sure if the books you would like to download works with for usage along with your computer, it is possible to download free trials. The

free guides make it easy for someone to free access online library for download books to your device. You can get free download on free trial for lots of books categories. Our library is the biggest of these that have literally hundreds of thousands of different products categories represented. You will also see that there are specific sites catered to different product types or categories, brands or niches related with Phase Locked Loop Electrical Engineering Nmt. So depending on what exactly you are searching, you will be able to choose e books to suit your own need. Need to access completely for Campbell Biology Seventh Edition book? Access Ebook without any digging. And by having access to our ebook online or by storing it on your computer, you have convenient answers with Phase Locked Loop Electrical Engineering Nmt To get started finding Phase Locked Loop Electrical Engineering Nmt, you are right to find our website which has a comprehensive collection of books online. Our library is the biggest of these that have literally hundreds of thousands of different products represented. You will also see that there are specific sites catered to different categories or niches related with Phase Locked Loop Electrical Engineering Nmt So depending on what exactly you are searching, you will be able to choose ebook to suit your own need. Thank you for reading Phase Locked Loop Electrical Engineering Nmt. Maybe you have knowledge that, people have search numerous times for their favorite readings like this Phase Locked Loop Electrical Engineering Nmt, but end up in harmful downloads. Rather than reading a good book with a cup of coffee in the afternoon, instead they juggled with some harmful bugs inside their laptop. Phase Locked Loop Electrical Engineering Nmt is available in our book collection an online access to it is set as public so you can download it instantly. Our digital library spans in multiple locations, allowing you to get the most less latency time to download any of our books like this one. Merely said, Phase Locked Loop Electrical Engineering Nmt is universally compatible with any devices to read.

Find Phase Locked Loop Electrical Engineering Nmt :

~~clockwork princess the infernal devices manga 3 cassandra clare~~

~~college algebra practice test~~

~~[circular resolution format](#)~~

cima e3 enterprise strategy

~~circuits ulaby 2nd edition pdf~~

~~cisco lab 3 5 3 2 answers pdf download duygu~~

~~civil engineering objective by rs khurmi~~

~~citroen c3 mantenimiento~~

~~classical mythology morford tenth slibforme~~

~~[cognitive neuroscience biology fourth edition](#)~~

[clio iii](#)

[college algebra julie miller](#)

cmg training catalogue 2013 reservoir simulation software

[college algebra by william hart fourth edition](#)

[clinical hematology 3rd edition by rodak](#)

Phase Locked Loop Electrical Engineering Nmt :

new headway elementary third edition workbook with key - Feb 09 2023

web mar 30 2006 new headway elementary third edition workbook with key liz soars john soars sylvia wheeldon oup oxford

mar 30 2006 foreign language study 88

[new headway elementary 3rd edition workbook](#) - Nov 06 2022

web new headway elementary liz and john soars 4th edition oxford university press sb 201 1 1 60p wb 2012 96p tb 2011

160p a completely new elementary edition

new headway elementary workbook pdf google drive - Apr 30 2022

web new chatterbox 1 2 teacher s resource pack tanári solutions 2nd ed elementary tankönyv new chatterbox 2 audio cd

tankönyv hanganyaga let s go 3 4th ed

new headway 3rd edition elementary student s book headway - Mar 10 2023

web feb 16 2006 this elementary level student s book challenges motivates and stimulates post fce learners students using

the course will benefit from a totally new range of

new headway elementary 3rd edition student s workbook audio - Jul 02 2022

web view details request a review learn more

[new headway elementary 3rd edition audio download](#) - Jan 28 2022

web new headway elementary third edition workbook with key format paperback the world s best selling adult english course

a perfectly balanced syllabus strong grammar

[new headway elementary the third edition learning english](#) - Mar 30 2022

web new headway elementary third edition workbook blogs post gazette com download new headway elementary third

edition workbook pdf new

[new headway elementary liz and john soars alleng org](#) - Sep 04 2022

web mar 31 2010 size 64 82 mb contains audio document s added by katrinusa 03 31 2010 10 07 info modified 02 07 2020

16 58 new headway elementary general english for

new headway elementary third edition workbook without key - Jan 08 2023

web mar 7 2006 new headway elementary third edition workbook without key john soars liz soars sylvia wheeldon oup oxford mar 7 2006 foreign language study

new headway elementary 3rd ed workbook audio cd - Feb 26 2022

web 2 days ago according to the national education association as of last year the average starting salary for a teacher with a master s degree is around 39 000 a year in colorado

audio and video downloads headway student s site oxford - Jun 01 2022

web may 4 2009 a new edition with a modified syllabus and extensive new material key features new headway elementary keeps to the successful framework of the original

new headway elementary student s book pdf google drive - Jun 13 2023

web view details request a review learn more

headway student s site learning resources oxford university - May 12 2023

web headway student s site select your level to browse interactive exercises and downloadable audio and video resources beginner elementary pre intermediate

new headway elementary third edition workbook with key - Oct 25 2021

new headway elementary third edition workbook with key - Nov 25 2021

web view details request a review learn more

new headway intermediate students book pdf google drive - Sep 23 2021

new headway elementary the third edition student s book - Dec 07 2022

web new headway elementary the third edition student s book free ebook download as pdf file pdf or read book online for free new headway elementary the third

new headway elementary the third edition student s book pdf - Aug 15 2023

web new headway elementary the third edition student s book pdf this document was uploaded by user and they confirmed that they have the permission to share it if you are

new headway 3rd edition elementary workbook with - Oct 05 2022

web mar 31 2010 new headway elementary general english for adults third edition liz and john soars oxford university press 2006 the world s best selling adult english

new headway third edition oxford university press - Apr 11 2023

web new headway third edition a new beginner edition from the world s best selling english course a perfectly balanced syllabus and lots of support for beginner students authors

new headway elementary 3rd edition class audio cd sciarium - Aug 03 2022

web grammar vocabulary everyday english audio and video downloads test builder audio and video downloads download audio and video resources to help you study better

people don t want to be teachers anymore can you blame - Dec 27 2021

web mar 30 2006 new headway elementary third edition workbook with key liz soars john soars sylvia wheeldon oup oxford mar 30 2006 foreign language study 88

new headway elementary oxford university press - Jul 14 2023

web new headway elementary general english for adults third edition liz and john soars the world s best selling adult english course a perfectly balanced syllabus with a strong

niagara falls bartleby - Oct 05 2022

web world the wonder i m wanting to talk about today is niagara falls niagara falls is a great place to visit niagara falls is located in ontario in new york the falls are known as the jewels of geological history have you ever wondered how old the falls are niagara falls are known to be 12000 years old the falls were first discovered by a

descriptive essay on niagara falls 1223 words 123 help me - Jun 13 2023

web descriptive essay on niagara falls niagara falls essay estimated to be approximately 12 000 years old it is said that the edge of the falls was possibly denali national park essay first denali national park and preserve is considered as one of the most famous yellowstone national park

niagara falls essays 123 help me - Apr 30 2022

web 863 words 2 pages the niagara falls in buffalo new york is recognized for its sublimity and resourcefulness the waterfall connects canada and the united states being a tourist attraction in both countries and a shared resource the history of this geographical area tells a story of how humanity shapes and is shaped by the environment

descriptive essay on niagara falls 973 words bartleby - May 12 2023

web descriptive essay on niagara falls descriptive essay about hiking the swirling wind deposited my hair into a disarray on top of my head my legs and feet niagara falls research paper two places i would like to live when i grow up would be either in toronto the capital of descriptive essay

niagara falls as a canadian tourist attraction essay - Sep 16 2023

web oct 2 2020 niagara falls as a canadian tourist attraction essay introduction niagara falls is one of the most famous historic landmarks in the world it consists of a group of history of niagara falls according to gromosiak and christopher 30

the geographical formation of niagara falls documentation

niagara falls waterfalls the canadian encyclopedia - Mar 10 2023

web apr 22 2013 last edited june 22 2023 niagara falls a spectacular waterfall in the niagara river is the world s greatest waterfall by volume at 2 832 m 3 it is split in two by goat island

essay about niagara falls evolutionwriters com - Nov 06 2022

web this article is the product of our essay service it can be used only if our ownership of this article is mentioned apart from its tremendous role in the development of tourism in ontario province in canada and northern part of the us niagara falls became a significant source of energy the energy of the waterfalls was first utilized back in the eighteenth century

niagara falls research paper 989 words bartleby - Feb 09 2023

web 743 words 3 pages decent essays descriptive essay about mt rainier the majestic mountain towers over the washington state landscape and can be visible from most vantage point in the seattle metro area see the main seattle page here 821

words 4 pages decent essays descriptive essay tualatin fall championship competition

descriptive essay niagara falls final document 1 studypool - Jun 01 2022

web descriptive essay niagara falls final document 1 content type user generated subject english school los angeles city college type homework uploaded by vafvqre47 pages 2 rating showing page 1 2 descriptive essay niagara falls the thundering of the water shook me to my core shaking through my bones and making me feel a tingle in my toes

the experience of niagara falls 1232 words bartleby - Jan 08 2023

web niagara falls is a beautiful place it is extremely beautiful to look at in the daytime it is amazing to see millions of gallons of water tumbling over the edge niagara falls is about 170 feet high so the water falls a long way there is constantly water falling when the water hits the rocks at the bottom of the falls it creates mist

descriptive essay on niagara falls 898 words 123 help me - Apr 11 2023

web descriptive essay on niagara falls analysis of bless me ultima i wasn t even outside but i could feel the warm glow the sun was projecting all across the niagara falls essay niagara falls reigns as one of the most popular tourist attractions in all of new york known as a denali national

descriptive essay on niagara falls 908 words bartleby - Aug 15 2023

web descriptive essay on niagara falls niagara falls research paper two places i would like to live when i grow up would be either in toronto the capital of personal narrative niagara falls finally after waiting years last year was the year that i had the opportunity to descriptive essay

descriptive essay on niagara falls 931 words bartleby - Oct 17 2023

web descriptive essay on niagara falls the beamer memorial niagara escarpment the beamer memorial is on the cliff of the

niagara escarpment here you can see mount kilimanjaro mount yosemite national park victoria falls is one of the seven natural wonders of the world niagara research papers it

a descriptive reading on niagra falls archive org - Feb 26 2022

web a descriptivereading on niagarafalls x r illustratedbytwelvelantern slides ki j si t williamh rau philadelphia 1890

niagara falls facts geology history britannica - Jul 14 2023

web niagara falls waterfall on the niagara river in northeastern north america one of the continent s most famous spectacles the falls lie on the border between ontario canada and the u s state of new york they have long attracted honeymooners

stunts were performed there e g going over the falls in a barrel

niagra falls descriptive writing 772 words cram - Jul 02 2022

web ever since i was six i knew niagara falls canada would have a special place in my heart i can still hear the sound of the falls crashing like bowling pins from atop of clifton hill like it was yesterday who would ve thought that a 670 meter waterfall would end up being so relaxing and beautiful

descriptive essay on niagara falls ppt slideshare - Aug 03 2022

web oct 16 2023 descriptive essay on niagara falls download as a pdf or view online for free

description of niagara falls free essays studymode - Mar 30 2022

web 1211 words 5 pages better essays read more niagara falls moment the transition between looking at my feet and lifting up my head to face the landscape it is something that can hardly be put into words you might be wondering by now what is this thing that had such an intense effect on me two words niagara falls

essays on niagara falls gradesfixer - Sep 04 2022

web discover niagara falls niagara falls is a beautiful city that located in the southeastern of ontario and is found at the border of a state called new york united states they are known for the giant majestic waterfalls that are called the horseshoe falls the

niagara falls 798 words 123 help me - Dec 07 2022

web niagara falls essay on yosemite the granite in the sierra nevada range and the glacier carved landscape of yosemite national park niagara falls essay niagara falls reigns as one of the most popular tourist attractions in all of new york known as a denali national park essay first denali

die eismacher roman hardcover may 9 2016 amazon com - Oct 24 2021

web may 9 2016 die eismacher roman van der kwast ernest on amazon com free shipping on qualifying offers die eismacher roman

die eismacher roman kindle edition amazon de - Dec 06 2022

web may 9 2016 die eismacher roman ebook kwast ernest van der ecke andreas amazon de kindle store

[die eistaucher kaška bryla kaška bryla residenz verlag](#) - Dec 26 2021

web die eistaucher ist ein hochaktueller und schmerzhaft intensiver roman iga die skaterin die schöne jess und der pummelige ras sind außenseiter innen in ihrer schulklasse

die eismacher roman van der kwast ernest free download - Jul 13 2023

web die eismacher roman by van der kwast ernest publication date 2016 topics produktform hardback produktform spezifisch with dust jacket bru der eiscreme

[die eismacher roman kağıt kapak 12 mart 2018](#) - Jun 12 2023

web arama yapmak istediğiniz kategoriye seçin

[die eismacher buch jetzt bei weltbild de online bestellen](#) - Feb 08 2023

web die eismacher von ernest van der kwast cover schön bunt aber das gewisse etwas fehlt inhalt im norden italiens inmitten der dolomiten liegt das tal der eismacher

die eismacher roman german edition kindle edition amazon in - Apr 29 2022

web die eismacher roman german edition ebook kwast ernest van der ecke andreas amazon in kindle store

die eismacher roman ernest van der kwast google books - Apr 10 2023

web geschichte der eismacher familie talamini die jedes frühjahr in rotterdam den eissalon venezia öffnet die brüder giovanni und luca setzen die alte familientradition fort doch

die eismacher roman van der kwast ernest 9783442715978 - Nov 05 2022

web abebooks com die eismacher roman 9783442715978 by van der kwast ernest and a great selection of similar new used and collectible books available now at great prices

die eismacher von ernest van der kwast bücher orell füssli - Mar 29 2022

web jetzt online bestellen heimlieferung oder in filiale die eismacher roman von ernest van der kwast orell füssli der buchhändler ihres vertrauens

die eismacher roman by ernest van der kwast is available in - Aug 02 2022

web find a digital library with die eismacher roman near you learn more about precise location detection showing public libraries k 12 schools undefined

[die eismacher roman german edition kindle edition](#) - Jan 07 2023

web may 9 2016 die eismacher roman german edition kindle edition by kwast ernest van der ecke andreas download it once and read it on your kindle device pc phones

die eismacher roman pikes peak library district overdrive - Jan 27 2022

web browse borrow and enjoy titles from the pikes peak library district digital collection

die eismacher ein buch voll von eis liebe und familie ein - May 31 2022

web aug 10 2016 die familie talamini fährt jedes jahr wie so viele andere eismacher aus dem tal der eismacher in den dolomiten nach rotterdam und betreibt dort ein eiscafe

die eismacher roman amazon com - Mar 09 2023

web mar 12 2018 es geht um eine eismacher familie in italien und deren söhne die tradition der eisherstellung und die rebellion dagegen die eingebundene erotik und das

die eismacher roman geschenkausgabe lovelybooks - May 11 2023

web oct 8 2018 richtig über eis bzw die kunst des eismachens daher fiel mein blick im regal mit den ungelesenen büchern recht schnell auf ernest van der kwasts roman er

die eismacher roman geschenkausgabe paperback - Nov 24 2021

web oct 8 2018 die eismacher roman geschenkausgabe van der kwast ernest on amazon com free shipping on qualifying offers die eismacher roman

die eismacher roman van der kwast ernest ecke andreas - Oct 04 2022

web may 9 2016 select the department you want to search in

die eismacher roman van der kwast ernest ecke - Aug 14 2023

web Über die männer die vor hundertfünfzig jahren in den bergen gefrorenen schnee ernteten spitzhacken in den händen atemwolken wie nebel Über die eistransporte von

die eismacher buch jetzt bei weltbild ch online bestellen - Jul 01 2022

web bücher online shop die eismacher von ernest van der kwast bei weltbild bestellen per rechnung zahlen bücher in grosser auswahl weltbild ch

9783442756803 die eismacher roman abebooks - Sep 03 2022

web abebooks com die eismacher roman 9783442756803 by van der kwast ernest and a great selection of similar new used and collectible books available now at great prices

die eismacher roman geschenkausgabe van der kwast - Feb 25 2022

web abebooks com die eismacher roman geschenkausgabe 9783442717453 by van der kwast ernest and a great selection of similar new used and collectible books