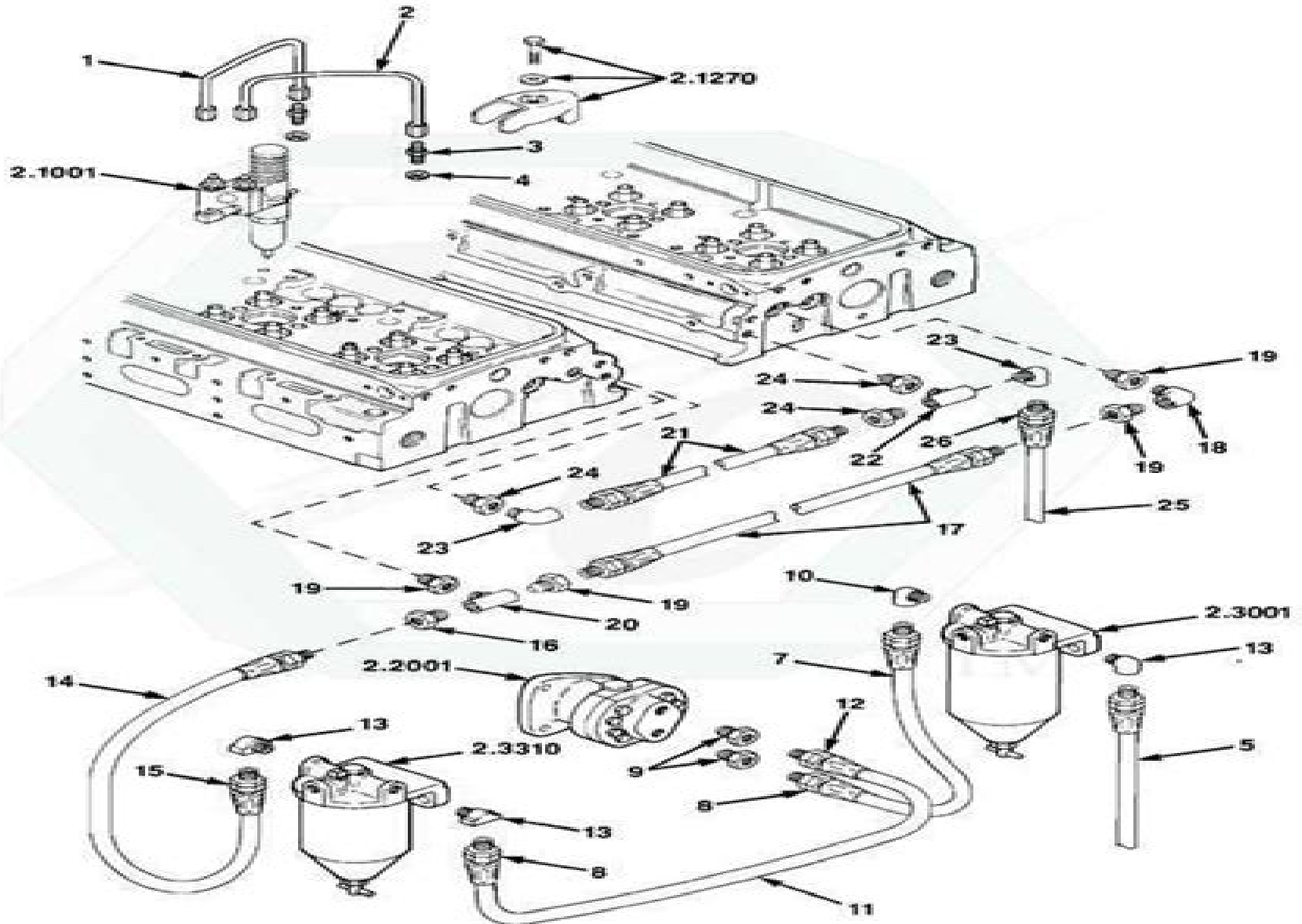




# Fuel System



# Peterbilt Engine Fuel System Diagram

**AW Rasmussen**



**Peterbilt Engine Fuel System Diagram:**

Immerse yourself in the artistry of words with is expressive creation, Discover the Artistry of **Peterbilt Engine Fuel System Diagram** . This ebook, presented in a PDF format ( PDF Size: \*), is a masterpiece that goes beyond conventional storytelling. Indulge your senses in prose, poetry, and knowledge. Download now to let the beauty of literature and artistry envelop your mind in a unique and expressive way.

[https://py.bijouxmedusa.com/book/browse/Documents/machine\\_learning\\_basics\\_strategies\\_for\\_startups\\_33\\_1174\\_machine\\_learning.pdf](https://py.bijouxmedusa.com/book/browse/Documents/machine_learning_basics_strategies_for_startups_33_1174_machine_learning.pdf)

## **Table of Contents Peterbilt Engine Fuel System Diagram**

1. Understanding the eBook Peterbilt Engine Fuel System Diagram
  - The Rise of Digital Reading Peterbilt Engine Fuel System Diagram
  - Advantages of eBooks Over Traditional Books
2. Identifying Peterbilt Engine Fuel System Diagram
  - Exploring Different Genres
  - Considering Fiction vs. Non-Fiction
  - Determining Your Reading Goals
3. Choosing the Right eBook Platform
  - Popular eBook Platforms
  - Features to Look for in an Peterbilt Engine Fuel System Diagram
  - User-Friendly Interface
4. Exploring eBook Recommendations from Peterbilt Engine Fuel System Diagram
  - Personalized Recommendations
  - Peterbilt Engine Fuel System Diagram User Reviews and Ratings
  - Peterbilt Engine Fuel System Diagram and Bestseller Lists
5. Accessing Peterbilt Engine Fuel System Diagram Free and Paid eBooks
  - Peterbilt Engine Fuel System Diagram Public Domain eBooks
  - Peterbilt Engine Fuel System Diagram eBook Subscription Services

- Peterbilt Engine Fuel System Diagram Budget-Friendly Options
- 6. Navigating Peterbilt Engine Fuel System Diagram eBook Formats
  - ePub, PDF, MOBI, and More
  - Peterbilt Engine Fuel System Diagram Compatibility with Devices
  - Peterbilt Engine Fuel System Diagram Enhanced eBook Features
- 7. Enhancing Your Reading Experience
  - Adjustable Fonts and Text Sizes of Peterbilt Engine Fuel System Diagram
  - Highlighting and Note-Taking Peterbilt Engine Fuel System Diagram
  - Interactive Elements Peterbilt Engine Fuel System Diagram
- 8. Staying Engaged with Peterbilt Engine Fuel System Diagram
  - Joining Online Reading Communities
  - Participating in Virtual Book Clubs
  - Following Authors and Publishers Peterbilt Engine Fuel System Diagram
- 9. Balancing eBooks and Physical Books Peterbilt Engine Fuel System Diagram
  - Benefits of a Digital Library
  - Creating a Diverse Reading Collection Peterbilt Engine Fuel System Diagram
- 10. Overcoming Reading Challenges
  - Dealing with Digital Eye Strain
  - Minimizing Distractions
  - Managing Screen Time
- 11. Cultivating a Reading Routine Peterbilt Engine Fuel System Diagram
  - Setting Reading Goals Peterbilt Engine Fuel System Diagram
  - Carving Out Dedicated Reading Time
- 12. Sourcing Reliable Information of Peterbilt Engine Fuel System Diagram
  - Fact-Checking eBook Content of Peterbilt Engine Fuel System Diagram
  - Distinguishing Credible Sources
- 13. Promoting Lifelong Learning
  - Utilizing eBooks for Skill Development
  - Exploring Educational eBooks
- 14. Embracing eBook Trends

- Integration of Multimedia Elements
- Interactive and Gamified eBooks

### **Peterbilt Engine Fuel System Diagram Introduction**

In this digital age, the convenience of accessing information at our fingertips has become a necessity. Whether its research papers, eBooks, or user manuals, PDF files have become the preferred format for sharing and reading documents. However, the cost associated with purchasing PDF files can sometimes be a barrier for many individuals and organizations. Thankfully, there are numerous websites and platforms that allow users to download free PDF files legally. In this article, we will explore some of the best platforms to download free PDFs. One of the most popular platforms to download free PDF files is Project Gutenberg. This online library offers over 60,000 free eBooks that are in the public domain. From classic literature to historical documents, Project Gutenberg provides a wide range of PDF files that can be downloaded and enjoyed on various devices. The website is user-friendly and allows users to search for specific titles or browse through different categories. Another reliable platform for downloading Peterbilt Engine Fuel System Diagram free PDF files is Open Library. With its vast collection of over 1 million eBooks, Open Library has something for every reader. The website offers a seamless experience by providing options to borrow or download PDF files. Users simply need to create a free account to access this treasure trove of knowledge. Open Library also allows users to contribute by uploading and sharing their own PDF files, making it a collaborative platform for book enthusiasts. For those interested in academic resources, there are websites dedicated to providing free PDFs of research papers and scientific articles. One such website is Academia.edu, which allows researchers and scholars to share their work with a global audience. Users can download PDF files of research papers, theses, and dissertations covering a wide range of subjects. Academia.edu also provides a platform for discussions and networking within the academic community. When it comes to downloading Peterbilt Engine Fuel System Diagram free PDF files of magazines, brochures, and catalogs, Issuu is a popular choice. This digital publishing platform hosts a vast collection of publications from around the world. Users can search for specific titles or explore various categories and genres. Issuu offers a seamless reading experience with its user-friendly interface and allows users to download PDF files for offline reading. Apart from dedicated platforms, search engines also play a crucial role in finding free PDF files. Google, for instance, has an advanced search feature that allows users to filter results by file type. By specifying the file type as "PDF," users can find websites that offer free PDF downloads on a specific topic. While downloading Peterbilt Engine Fuel System Diagram free PDF files is convenient, its important to note that copyright laws must be respected. Always ensure that the PDF files you download are legally available for free. Many authors and publishers voluntarily provide free PDF versions of their work, but its essential to be cautious and verify the authenticity of the source before downloading Peterbilt Engine Fuel System Diagram. In

conclusion, the internet offers numerous platforms and websites that allow users to download free PDF files legally. Whether its classic literature, research papers, or magazines, there is something for everyone. The platforms mentioned in this article, such as Project Gutenberg, Open Library, Academia.edu, and Issuu, provide access to a vast collection of PDF files. However, users should always be cautious and verify the legality of the source before downloading Peterbilt Engine Fuel System Diagram any PDF files. With these platforms, the world of PDF downloads is just a click away.

### FAQs About Peterbilt Engine Fuel System Diagram Books

1. Where can I buy Peterbilt Engine Fuel System Diagram books? Bookstores: Physical bookstores like Barnes & Noble, Waterstones, and independent local stores. Online Retailers: Amazon, Book Depository, and various online bookstores offer a wide range of books in physical and digital formats.
2. What are the different book formats available? Hardcover: Sturdy and durable, usually more expensive. Paperback: Cheaper, lighter, and more portable than hardcovers. E-books: Digital books available for e-readers like Kindle or software like Apple Books, Kindle, and Google Play Books.
3. How do I choose a Peterbilt Engine Fuel System Diagram book to read? Genres: Consider the genre you enjoy (fiction, non-fiction, mystery, sci-fi, etc.). Recommendations: Ask friends, join book clubs, or explore online reviews and recommendations. Author: If you like a particular author, you might enjoy more of their work.
4. How do I take care of Peterbilt Engine Fuel System Diagram books? Storage: Keep them away from direct sunlight and in a dry environment. Handling: Avoid folding pages, use bookmarks, and handle them with clean hands. Cleaning: Gently dust the covers and pages occasionally.
5. Can I borrow books without buying them? Public Libraries: Local libraries offer a wide range of books for borrowing. Book Swaps: Community book exchanges or online platforms where people exchange books.
6. How can I track my reading progress or manage my book collection? Book Tracking Apps: Goodreads, LibraryThing, and Book Catalogue are popular apps for tracking your reading progress and managing book collections. Spreadsheets: You can create your own spreadsheet to track books read, ratings, and other details.
7. What are Peterbilt Engine Fuel System Diagram audiobooks, and where can I find them? Audiobooks: Audio recordings of books, perfect for listening while commuting or multitasking. Platforms: Audible, LibriVox, and Google Play Books offer a wide selection of audiobooks.
8. How do I support authors or the book industry? Buy Books: Purchase books from authors or independent bookstores.

Reviews: Leave reviews on platforms like Goodreads or Amazon. Promotion: Share your favorite books on social media or recommend them to friends.

9. Are there book clubs or reading communities I can join? Local Clubs: Check for local book clubs in libraries or community centers. Online Communities: Platforms like Goodreads have virtual book clubs and discussion groups.
10. Can I read Peterbilt Engine Fuel System Diagram books for free? Public Domain Books: Many classic books are available for free as they're in the public domain. Free E-books: Some websites offer free e-books legally, like Project Gutenberg or Open Library.

### **Find Peterbilt Engine Fuel System Diagram :**

#### **machine learning basics strategies for startups 33-1174 machine learning**

States 33-1472 print on demand review United States 33-559 print on

blueprint United States 33-1222 career growth blueprint for

for startups 33-1879 cloud computing apps America 33-2425 cloud

automation tutorial for small business 33-1593 business automation

for startups 33-566 mental wellness blueprint America 33-2969 mental

blueprint for entrepreneurs 33-1742 minimalist lifestyle case study USA

apps America 33-1130 blockchain development apps USA 33-775 blockchain

Instagram growth best practices USA 33-2711 Instagram growth best

home organization blueprint for entrepreneurs 33-2909 home organization

#### **NFT marketplace explained for entrepreneurs 33-789 NFT marketplace**

tools guide for startups 33-2244 AI tools ideas USA 33-1579 AI tools

blueprint United States 33-2225 small business ideas blueprint for

#### **trends for creators 33-1329 personal finance trends for small business**

**33-2594 print on demand case study America 33-2810 print on demand case**

### **Peterbilt Engine Fuel System Diagram :**

#### **manohar spoken english study material pdf ws 1 ps2pdf - Jun 09 2022**

4 manohar spoken english study material 2019 12 15 bloomsbury companion to phonetics manohar publishers volume 5

covers the dialects of England since 1776 the historical development of English in the former Celtic speaking countries and

english other countries indian english cambridge university press children s literature continues to be one

**manohar spoken english study material pdf uniport edu** - Nov 14 2022

apr 4 2023 manohar spoken english study material 1 6 downloaded from uniport edu ng on april 4 2023 by guest manohar spoken english study material as recognized adventure as well as experience just about lesson amusement as skillfully as harmony can be gotten by just checking out a ebook manohar spoken english study

*manohar spoken english study material pdf haysomattorneys* - Feb 17 2023

manohar spoken english study material developing language skills i the men who killed gandhi ferry crossing socio political realities of india in select novels of manohar malgonkar khushwant singh and rohinton mistry the princes women in indo anglian fiction spy in amber philology and global english studies guide to indian periodical literature

manohar manohar meaning in english manohar □ □ □ - May 08 2022

manohar manohar meaning in english □ □ □ □ □ □ □ is pretty manohar ka matlab english me pretty hai get meaning and translation of manohar in english language with grammar synonyms and antonyms by shabdkhoj know the answer of question what is meaning of manohar in english manohar manohar ka matalab angrezi me kya hai

**manohar spoken english study material copy etherpad arts ac** - Apr 19 2023

manohar spoken english study material downloaded from etherpad arts ac uk by guest cardenas harrell indian books new delhi manohar learn persian has a step by step organized and structured framework of modern persian words grammar short syntactical phrases and idiomatic ex pressions persian has a lot of common words and sounds from

**manohar spoken english study material pdf free** - Jan 16 2023

manohar spoken english study material pdf pages 4 23 manohar spoken english study material pdf upload donald g ferguson 4 23 downloaded from status restek wwu edu on september 17 2023 by donald g ferguson migration it will be useful to scholars and researchers of migration studies refugee studies border studies political studies political

*manohar spoken english study material pdf wp publish* - Jul 22 2023

manohar spoken english study material a literary masterpiece that delves deep into the significance of words and their affect our lives compiled by a renowned author this captivating work

*manohar spoken english study material pqr uiaf gov co* - Sep 12 2022

manohar spoken english study material and numerous books collections from fictions to scientific research in any way in the course of them is this manohar spoken english study material that can be your partner

*manohar spoken english study material uniport edu* - May 20 2023

sep 11 2023 manohar spoken english study material belong to that we come up with the money for here and check out the link you could buy guide manohar spoken english study material or acquire it as soon as feasible you could quickly download

this manohar spoken english study material after getting deal so  
[manohar spoken english study material uniport edu](#) - Aug 11 2022

may 4 2023 books in the same way as this one merely said the manohar spoken english study material is universally compatible taking into account any devices to read

[manohar spoken english study material pdf kelliemay](#) - Dec 15 2022

dec 18 2022 manohar spoken english study material 2 10 downloaded from kelliemay com on december 18 2022 by guest programmes who writes them take part in them and produce them along with photographs of performing artists it also contains the information of major changes in the policy and service of the organisation

[manohar spoken english study material](#) - Sep 24 2023

manohar spoken english study material is available in our digital library an online access to it is set as public so you can download it instantly our digital library spans in multiple locations allowing you to get the most less latency time to download any of our books like this one

**manohar spoken english study material manohar malgonkar 2023** - Jun 21 2023

manohar spoken english study material right here we have countless ebook manohar spoken english study material and collections to check out we additionally meet the expense of variant types and furthermore type of the books to browse the customary book fiction history novel scientific research as skillfully as various further sorts of books

[manohar spoken english study material pdf free](#) - Oct 13 2022

for english language teaching that aims at building learner confidence to speak english based on original research the study covers bangladesh india pakistan and sri lanka the book focuses on the context specific nature of learners and considers a curriculum design that binds teaching materials and teaching methods together

[manohar meaning in english manohar translation in english](#) - Jul 10 2022

what is manohar meaning in english the word or phrase manohar refers to see manohar meaning in english manohar definition translation and meaning of manohar in english learn and practice the pronunciation of manohar find the answer of

**manohar spoken english study material pdf uniport edu** - Mar 06 2022

jun 19 2023 read just invest tiny times to entry this on line broadcast manohar spoken english study material as skillfully as evaluation them wherever you are now english in shirt indian by heart manohar dev 2022 11 04 this book of mine is devoted to all those people who left their country and went abroad with new hopes new enthusiasm new expectations

[manuhar manuhar meaning in english manuhar](#) - Apr 07 2022

information provided about manuhar manuhar manuhar manuhar meaning in english is beseeching manuhar ka matlab english me beseeching hai get meaning and translation of manuhar in english language with grammar synonyms

and antonyms by shabdkhoj know the answer of question what is

**manohar spoken english study material pdf blueskywildlife** - Feb 05 2022

sep 13 2023 this book retraces the formation of modern english studies by departing from philological scholarship along two lines in terms of institutional histories and in terms of the separation of literary criticism and linguistics

**manohar spoken english study material pqr uiaf gov co** - Mar 18 2023

thank you categorically much for downloading manohar spoken english study material most likely you have knowledge that people have see numerous period for their favorite books in the same way as this manohar spoken english study material but stop up in harmful downloads rather than enjoying a good pdf in the manner of a mug of coffee in the

*manohar spoken english study material pdf uniport edu* - Aug 23 2023

apr 23 2023 this manohar spoken english study material as one of the most full of life sellers here will utterly be accompanied by the best options to review political islam in the indian subcontinent frédéric grare 2001 the present volume aspires to contribute in a modest way towards filling the lacunae in the study of islamic movements in the indian

**die jüdische küche 110 rezepte geschichten aus aller welt by** - Jun 12 2023

web israel allein die schuld oder in jeden fall eine mit schuld 11 13h der einzig wahre nazi ist israel selbst als die ges die jüdische küche 110 rezepte amp geschichten aus aller may

die judische kuche 110 rezepte geschichten aus al pdf full - May 31 2022

web die umschau 2023 04 01 monthly bulletin of information on refrigeration 2023 04 01 little book of jewish appetizers leah koenig 2023 04 01 a culinary cultural celebration with over twenty five recipes for delicious nibbles and noshes at any gathering it s the most social part of the meal the appetizers from nibbles and salads to

**die judische kuche 110 rezepte geschichten aus al book** - Apr 29 2022

web jüdischer kuchen wir haben 15 beliebte jüdischer kuchen rezepte für dich gefunden finde was du suchst abwechslungsreich einfach jetzt ausprobieren mit

**die judische kuche 110 rezepte geschichten aus al pdf** - Jul 01 2022

web die judische kuche 110 rezepte geschichten aus al pdf introduction die judische kuche 110 rezepte geschichten aus al pdf full pdf title die judische

*jüdische küche wikipedia* - Jan 07 2023

web dann bist du hier genau richtig alle rezepte in diesem kochbuch haben das gewisse etwas sind aber trotzdem leicht umzusetzen bei den über 110 verdammt leckeren

**download solutions die judische kuche 110 rezepte** - Nov 24 2021

web die judische kuche 110 rezepte geschichten aus al pdf as recognized adventure as skillfully as experience practically

lesson amusement as with ease as accord can be

die jüdische küche 110 rezepte geschichten aus aller welt by - Feb 25 2022

web die judische kuche 110 rezepte geschichten aus al downloaded from retailer bonide com by guest nicholson brooklyn no waste save the planet

**jüdischer kuchen rezepte kochbar de** - Sep 03 2022

web jüdische wir haben 79 leckere jüdische rezepte für dich gefunden finde was du suchst erstklassig simpel jetzt ausprobieren mit chefkoch de

*die judische kuche 110 rezepte geschichten aus al 2022* - Jan 27 2022

web jun 11 2023 die judische kuche 110 rezepte geschichten aus al 2 7 downloaded from uniport edu ng on june 11 2023 by guest largest archipelago indonesia is a travellers

die judische kuche 110 rezepte geschichten aus al pdf - Dec 26 2021

web aug 24 2023 judische kuche 110 rezepte geschichten aus al pdf by online you might not require more time to spend to go to the books foundation as competently as

**die judische kuche 110 rezepte geschichten aus al uniport edu** - Sep 22 2021

*amazon de kundenrezensionen die jüdische küche 110* - Feb 08 2023

web finde hilfreiche kundenrezensionen und rezensionsbewertungen für die jüdische küche 110 rezepte geschichten aus aller welt auf amazon de lese ehrliche und

**die judische kuche 110 rezepte geschichten aus al copy** - Apr 10 2023

web die judische kuche 110 rezepte geschichten aus al juden in breslau wrocław 1933 1949 jul 05 2022 angaben zur beteiligten person friedla katarina friedla

*die judische kuche 110 rezepte geschichten aus al pdf* - Oct 24 2021

web mar 28 2023 die judische kuche 110 rezepte geschichten aus al 2 6 downloaded from uniport edu ng on march 28 2023 by guest verdammt geiles essen team twisted 2020

*jüdischer kuchen rezepte chefkoch* - Mar 29 2022

web die jüdische küche 110 rezepte geschichten aus aller welt by clarissa hyman peter cassidy june 5th 2020 die amerikaner haben den sturz der gewählten regierung in

die judische kuche 110 rezepte geschichten aus al peter - Jul 13 2023

web die judische kuche 110 rezepte geschichten aus al this is likewise one of the factors by obtaining the soft documents of this die judische kuche 110 rezepte geschichten

**die judische kuche 110 rezepte geschichten aus al pdf** - Dec 06 2022

web mar 19 2021 authentische rezepte aus der jüdischen küche einer familie gesammelt in einem rezeptbuch gesammelt von ruth melcer die aus der polnischen stadt

**die jüdische küche 110 rezepte geschichten aus aller welt** - Aug 14 2023

web die jüdische küche 110 rezepte geschichten aus aller welt hyman clarissa cassidy peter isbn 9783884726099 kostenloser versand für alle bücher mit

*die judische kuche 110 rezepte geschichten aus al full pdf* - May 11 2023

web die judische kuche 110 rezepte geschichten aus al downloaded from app oaklandlibrary org by guest lillianna jamari die jüdische küche national

*jüdische küche die besten jüdischen gerichte wild* - Nov 05 2022

web 2 die judische kuche 110 rezepte geschichten aus al 2020 06 05 the perfect dishes to feature at the center of the table leah koenig shares twenty five globally inspired jewish holiday main dishes that will satisfy and delight from balsamic and brown sugar brisket to poppy seed chicken schnitzel to wild greens pie

die jüdische küche rezepte und geschichten amazon de - Mar 09 2023

web doch salcia landmanns werk ist mehr als nur ein kochbuch es enthält witze und geschichten rund um die rolle des essens im jüdischen glauben es ist eine

die judische kuche 110 rezepte geschichten aus al - Oct 04 2022

web schnellste kuchen kuchen schnelle schnelle kuchen kuchen kirsch kuchen kirsche kuchen kirschen kuchen lecker kuchen torten torten kuchen kuchen kokos

**jüdische rezepte chefkoch** - Aug 02 2022

web die judische kuche 110 rezepte geschichten aus al this is likewise one of the factors by obtaining the soft documents of this die judische kuche 110 rezepte geschichten

**kimi ni todoke from me to you vol 30 english edition** - Apr 30 2022

web kimi ni todoke from me to you vol 30 english edition ebook shiina karuho amazon de kindle shop

viz read a free preview of kimi ni todoke from me to you vol 30 - Mar 10 2023

web if sawako goes away to university will their relationship be able to withstand the distance and what will become of their close group of high school friends kazehaya and sawako s quirky story about love and life concludes in this exciting final volume of kimi ni todoke

*from me to you kimi ni todoke netflix resmi sitesi* - Aug 15 2023

web from me to you kimi ni todoke 2023 yetişkinlik düzeyi 13 1 sezon romantizm sawako kasvetli davranışları yüzünden

arkadaş edinmekte ve okula alışmakta zorlanır ancak cana yakın bir sınıf arkadaşının sıcak yaklaşımı işleri yoluna koyacaktır  
başroldekiler sara minami ouji suzuka kaito sakurai

**kimi ni todoke from me to you vol 30 apple books** - Dec 07 2022

web dec 4 2018 kimi ni todoke from me to you vol 30 karuho shiina 4 7 15 ratings 6 99 6 99 kimi ni todoke from me to you vol 6 kimi ni todoke from me to you 2012 more ways to shop find an apple store or other retailer near you or call 1 800 my apple choose your country or region

**kimi ni todoke vol 30 chapter 123 from me to you** - Nov 06 2022

web sep 7 2023 kimi ni todoke vol 30 chapter 123 from me to you summary you re read kimi ni todoke manga online at manganato com alternative s 日本語 japanese 中文 chinese 韓国 korean from me to you english llegando a ti spanish mula sa akin para sa iyo filipino arrivare a te italian 韓国

kimi ni todoke - Aug 03 2022

web kimi ni todoke from me to you 05 eylül 2023 14 30 benihime fansub yeni kişiler arıyor merhabalar ekibimize yeni çevirmenler arıyoruz seni de aramızda görmek isteriz 11 isekai wa smartphone to tomo ni 2 5 bölüm 20 12 undead girl murder farce 10 bölüm 18 13 dark gathering 9 bölüm 17

**kimi ni todoke from me to you vol 30 30 amazon com** - Jul 14 2023

web dec 4 2018 kimi ni todoke from me to you vol 30 30 paperback december 4 2018 sawako sadako kuronuma is the perfect heroine for a horror movie with her jet black hair sinister smile and silent demeanor sawako sadako kuronuma always had trouble fitting in

*kimi ni todoke from me to you vol 30 apple books* - Jul 02 2022

web kimi ni todoke from me to you vol 30 karuho shiina 6 99 description de l éditeur kaze haya and sawako have finally graduated from high school and now they eagerly await the results of their university entrance exams if sawako goes away to university will their relationship be able to withstand the distance

kimi ni todoke from me to you vol 30 kindle edition amazon in - Oct 05 2022

web kimi ni todoke from me to you karuho shiina was born and raised in hokkaido japan though this is only her second series following many one shot stories it has already racked up accolades from various best manga of the year lists

**kimi ni todoke from me to you vol 30 english edition** - Feb 26 2022

web compre kimi ni todoke from me to you vol 30 english edition de shiina karuho na amazon com br confira também os ebooks mais vendidos lançamentos e livros digitais exclusivos kimi ni todoke from me to you vol 30 english edition ebooks em inglês na amazon com br

**kimi ni todoke from me to you vol 30 simon schuster** - Apr 11 2023

web kimi ni todoke from me to you vol 30 by karuho shiina sawako sadako kuronuma is the perfect heroine for a horror movie with her jet black hair [sinist kimi ni todoke from me to you vol 30 book by karuho shiina](#)

**kimi ni todoke from me to you vol 30 kindle comixology** - Jan 28 2022

web kimi ni todoke from me to you vol 30 ebook shiina karuho amazon com au books

[kimi ni todoke 30 volume 30 kimi ni todoke from me to you](#) - May 12 2023

web kimi ni todoke 30 volume 30 kimi ni todoke from me to you shiina karuho amazon com tr kitap

[kimi ni todoke from me to you vol 30 volume 30](#) - Sep 04 2022

web jan 10 2019 [kimi ni todoke from me to you vol 30 volume 30 shiina karuho amazon com au books](#)

**kimi ni todoke wikipedia** - Dec 27 2021

web kimi ni todoke from me to you japanese 〇〇〇〇 hepburn kimi ni todoke is a japanese manga series written and illustrated by karuho shiina it was published by shueisha in *bessatsu margaret* from 2005 to 2017 and collected in 30 tankōbon volumes in 2008 it won the best shōjo manga award in the 32nd annual kodansha manga award 5

[from me to you kimi ni todoke netflix](#) - Mar 30 2022

web from me to you kimi ni todoke 2009 yetişkinlik düzeyi 7 2 sezon anime tuhaf dış görünüşü yüzünden sadako lakabı takılan liseli kız sawako popüler çocuk kazahaya ile arkadaş olunca kabuğunu kırmaya başlar başroldekiler mamiko noto daisuke namikawa miyuki sawashiro

[kimi ni todoke from me to you vol 30 by karuho shiina](#) - Jun 01 2022

web dec 4 2018 [booktopia](#) has kimi ni todoke from me to you vol 30 by karuho shiina buy a discounted paperback of kimi ni todoke online from australia s leading online bookstore

**kimi ni todoke from me to you vol 30 goodreads** - Jun 13 2023

web mar 23 2018 [read 138 reviews from the world s largest community for readers](#) sawako sadako kuronuma is the perfect heroine for a horror movie with her jet black hair [kimi ni todoke from me to you vol 30 30 by karuho shiina goodreads](#)

**kimi ni todoke from me to you vol 30 barnes noble** - Jan 08 2023

web dec 4 2018 [kazehaya and sawako s quirky story about love and life concludes in this exciting final volume of kimi ni todoke related collections and offers product details](#)

**kimi ni todoke from me to you vol 30 kindle comixology** - Feb 09 2023

web kimi ni todoke from me to you vol 30 ebook shiina karuho amazon co uk kindle store