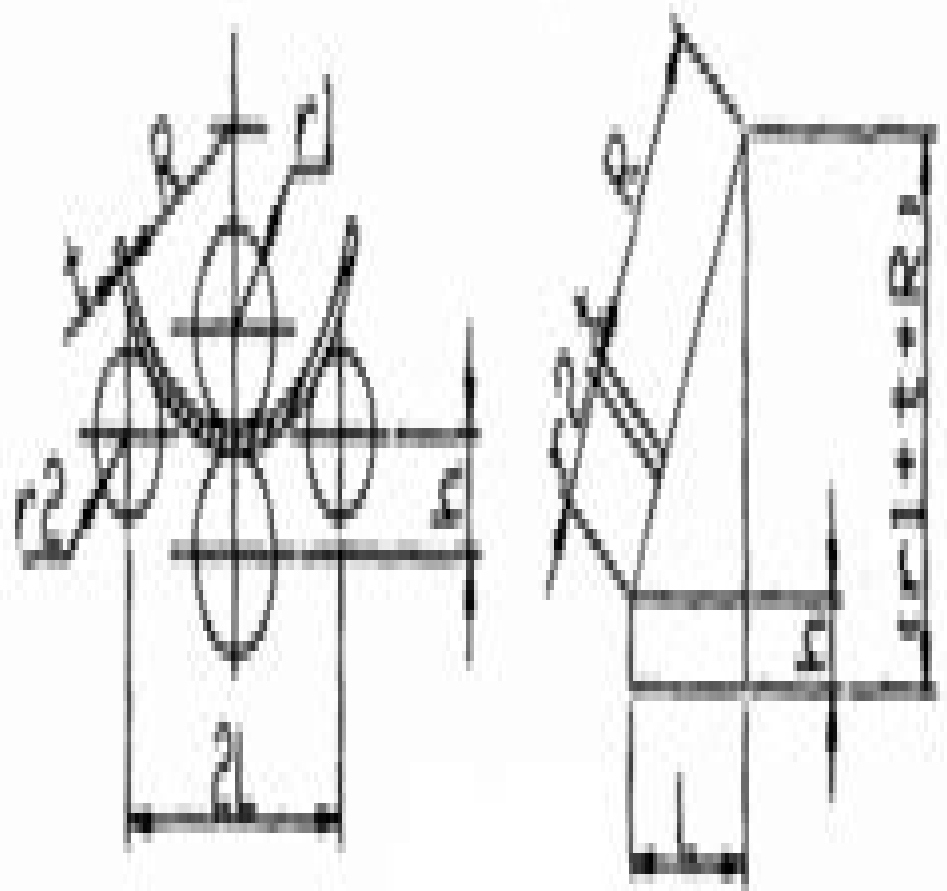


(a) Three-roll veneer reeling machine



(b) Four-roll veneer reeling machine

Plate Rolling Machine Calculation

**Fred Herbert Colvin, Lester Gray
French**



Plate Rolling Machine Calculation:

Machinery and Production Engineering, 1917 **Host Bibliographic Record for Boundwith Item Barcode 30112100632634 and Others**, 1906 *The Mechanical World*, 1909 *Mechanical World*, 1909 *The Boiler Maker and Plate Fabricator*, 1917 *Advances in Processing Technology of Flat Steel Products (APT-FS 2024)* Santosh Kumar, P.S. Rahul, Gadadhar Sahoo, B. Sunita Minz, D.K. Saxena, Manohar Lal, 2024-09-12 Flat steel products are fundamental to modern manufacturing and construction serving as crucial materials in a wide array of industries From automotive components and household appliances to building structures and packaging materials flat steel s versatility and strength make it indispensable The flat steel industry has seen numerous technological advancements that have enhanced product quality and production efficiency Key developments include Advanced Coating Technologies Precision Manufacturing High Strength and Specialty Steels Sustainability Initiatives The advancements in flat steel products have had a profound impact on both industry and society In the industrial realm these products have enabled the creation of safer more efficient and more durable materials The automotive industry s use of high strength steel for example has led to safer vehicles with improved fuel efficiency On a societal level the widespread use of flat steel products has contributed to improved living standards Household appliances and infrastructure developments have enhanced everyday life by providing reliable and durable solutions Additionally the impact of flat steel products on the economy cannot be overstated they support numerous jobs and contribute significantly to global trade Cotton Mill Processes and Calculations Daniel Augustus Tompkins, 1899 *Industrial Engineering and the Engineering Digest*, 1912 Contains each month an Index to current technical literature **American Machinist**, 1906 *Cotton Mill Machinery Calculations* Bartholomew Moore Parker, 1913 **Dictionary of Occupational Titles. Supplement. Edition II.** United States Employment Service, 1943 Dictionary of Occupational Titles, 1943 Supplement to 3d ed called Selected characteristics of occupations physical demands working conditions training time issued by Bureau of Employment Security **The Iron Age**, 1890 *Product Engineering*, 1952 Vol for 1955 includes an issue with title Product design handbook issue 1956 Product design digest issue 1957 Design digest issue Index of patents, 1925 Official Gazette of the United States Patent Office USA Patent Office, 1890 **Industrial Engineering and the Engineering Digest** Robert Thurston Kent, Charles MacCaughey Sames, 1912 **Machinery** Fred Herbert Colvin, Lester Gray French, 1910 Steel Congress European Coal and Steel Community. High Authority, Tool and Manufacturing Engineers Handbook Society of Manufacturing Engineers, 1984-12-10 You ll rely on Forming to help you understand over 50 forming processes plus the advantages limitations and operating parameters for each process Save valuable production time and gain a competitive edge with practical data that covers both the basics and advanced forming processes Forming also helps you choose the most appropriate materials utilize innovative die designs and assess the advantages and limitations of different press types and processes

Right here, we have countless book **Plate Rolling Machine Calculation** and collections to check out. We additionally have the funds for variant types and furthermore type of the books to browse. The customary book, fiction, history, novel, scientific research, as capably as various new sorts of books are readily open here.

As this Plate Rolling Machine Calculation, it ends happening bodily one of the favored ebook Plate Rolling Machine Calculation collections that we have. This is why you remain in the best website to see the amazing book to have.

https://py.bijouxmedusa.com/About/book-search/Download_PDFS/9%201141%20Digital%20Marketing%20Best%20Practices%20For%20Entrepreneurs%209%201760%20Digital.pdf

Table of Contents Plate Rolling Machine Calculation

1. Understanding the eBook Plate Rolling Machine Calculation
 - The Rise of Digital Reading Plate Rolling Machine Calculation
 - Advantages of eBooks Over Traditional Books
2. Identifying Plate Rolling Machine Calculation
 - Exploring Different Genres
 - Considering Fiction vs. Non-Fiction
 - Determining Your Reading Goals
3. Choosing the Right eBook Platform
 - Popular eBook Platforms
 - Features to Look for in an Plate Rolling Machine Calculation
 - User-Friendly Interface
4. Exploring eBook Recommendations from Plate Rolling Machine Calculation
 - Personalized Recommendations
 - Plate Rolling Machine Calculation User Reviews and Ratings
 - Plate Rolling Machine Calculation and Bestseller Lists
5. Accessing Plate Rolling Machine Calculation Free and Paid eBooks

- Plate Rolling Machine Calculation Public Domain eBooks
 - Plate Rolling Machine Calculation eBook Subscription Services
 - Plate Rolling Machine Calculation Budget-Friendly Options
6. Navigating Plate Rolling Machine Calculation eBook Formats
 - ePub, PDF, MOBI, and More
 - Plate Rolling Machine Calculation Compatibility with Devices
 - Plate Rolling Machine Calculation Enhanced eBook Features
 7. Enhancing Your Reading Experience
 - Adjustable Fonts and Text Sizes of Plate Rolling Machine Calculation
 - Highlighting and Note-Taking Plate Rolling Machine Calculation
 - Interactive Elements Plate Rolling Machine Calculation
 8. Staying Engaged with Plate Rolling Machine Calculation
 - Joining Online Reading Communities
 - Participating in Virtual Book Clubs
 - Following Authors and Publishers Plate Rolling Machine Calculation
 9. Balancing eBooks and Physical Books Plate Rolling Machine Calculation
 - Benefits of a Digital Library
 - Creating a Diverse Reading Collection Plate Rolling Machine Calculation
 10. Overcoming Reading Challenges
 - Dealing with Digital Eye Strain
 - Minimizing Distractions
 - Managing Screen Time
 11. Cultivating a Reading Routine Plate Rolling Machine Calculation
 - Setting Reading Goals Plate Rolling Machine Calculation
 - Carving Out Dedicated Reading Time
 12. Sourcing Reliable Information of Plate Rolling Machine Calculation
 - Fact-Checking eBook Content of Plate Rolling Machine Calculation
 - Distinguishing Credible Sources
 13. Promoting Lifelong Learning
 - Utilizing eBooks for Skill Development

- Exploring Educational eBooks
14. Embracing eBook Trends
- Integration of Multimedia Elements
 - Interactive and Gamified eBooks

Plate Rolling Machine Calculation Introduction

In the digital age, access to information has become easier than ever before. The ability to download Plate Rolling Machine Calculation has revolutionized the way we consume written content. Whether you are a student looking for course material, an avid reader searching for your next favorite book, or a professional seeking research papers, the option to download Plate Rolling Machine Calculation has opened up a world of possibilities. Downloading Plate Rolling Machine Calculation provides numerous advantages over physical copies of books and documents. Firstly, it is incredibly convenient. Gone are the days of carrying around heavy textbooks or bulky folders filled with papers. With the click of a button, you can gain immediate access to valuable resources on any device. This convenience allows for efficient studying, researching, and reading on the go. Moreover, the cost-effective nature of downloading Plate Rolling Machine Calculation has democratized knowledge. Traditional books and academic journals can be expensive, making it difficult for individuals with limited financial resources to access information. By offering free PDF downloads, publishers and authors are enabling a wider audience to benefit from their work. This inclusivity promotes equal opportunities for learning and personal growth. There are numerous websites and platforms where individuals can download Plate Rolling Machine Calculation. These websites range from academic databases offering research papers and journals to online libraries with an expansive collection of books from various genres. Many authors and publishers also upload their work to specific websites, granting readers access to their content without any charge. These platforms not only provide access to existing literature but also serve as an excellent platform for undiscovered authors to share their work with the world. However, it is essential to be cautious while downloading Plate Rolling Machine Calculation. Some websites may offer pirated or illegally obtained copies of copyrighted material. Engaging in such activities not only violates copyright laws but also undermines the efforts of authors, publishers, and researchers. To ensure ethical downloading, it is advisable to utilize reputable websites that prioritize the legal distribution of content. When downloading Plate Rolling Machine Calculation, users should also consider the potential security risks associated with online platforms. Malicious actors may exploit vulnerabilities in unprotected websites to distribute malware or steal personal information. To protect themselves, individuals should ensure their devices have reliable antivirus software installed and validate the legitimacy of the websites they are downloading from. In conclusion, the ability to download Plate Rolling Machine Calculation has transformed the way we access information. With the convenience, cost-effectiveness, and

accessibility it offers, free PDF downloads have become a popular choice for students, researchers, and book lovers worldwide. However, it is crucial to engage in ethical downloading practices and prioritize personal security when utilizing online platforms. By doing so, individuals can make the most of the vast array of free PDF resources available and embark on a journey of continuous learning and intellectual growth.

FAQs About Plate Rolling Machine Calculation Books

How do I know which eBook platform is the best for me? Finding the best eBook platform depends on your reading preferences and device compatibility. Research different platforms, read user reviews, and explore their features before making a choice. Are free eBooks of good quality? Yes, many reputable platforms offer high-quality free eBooks, including classics and public domain works. However, make sure to verify the source to ensure the eBook credibility. Can I read eBooks without an eReader? Absolutely! Most eBook platforms offer web-based readers or mobile apps that allow you to read eBooks on your computer, tablet, or smartphone. How do I avoid digital eye strain while reading eBooks? To prevent digital eye strain, take regular breaks, adjust the font size and background color, and ensure proper lighting while reading eBooks. What the advantage of interactive eBooks? Interactive eBooks incorporate multimedia elements, quizzes, and activities, enhancing the reader engagement and providing a more immersive learning experience. Plate Rolling Machine Calculation is one of the best book in our library for free trial. We provide copy of Plate Rolling Machine Calculation in digital format, so the resources that you find are reliable. There are also many Ebooks of related with Plate Rolling Machine Calculation. Where to download Plate Rolling Machine Calculation online for free? Are you looking for Plate Rolling Machine Calculation PDF? This is definitely going to save you time and cash in something you should think about.

Find Plate Rolling Machine Calculation :

[9-1141 digital marketing best practices for entrepreneurs](#) [9-1760 digital passive income ideas blueprint for creators](#) [9-1695 passive income ideas ideas for small business](#) **9-167 freelancing online ideas for startups America** [9-831 freelancing online apps USA](#) [9-1720 freelancing online apps United States](#) [9-2416 interview tips software for entrepreneurs](#) [9-523 tools America](#) [9-2738 healthy recipes tools America](#) [9-2903 healthy apps for startups](#) **9-1498 remote work best practices for entrepreneurs**

small business 9-983 passive income ideas tips USA 9-211 passive income

9-1785 remote jobs strategies for entrepreneurs 9-1500 remote jobs tips

9-1554 parenting tips apps America 9-979 parenting tips apps for

trends for creators 9-2310 NFT marketplace tutorial America 9-1655 NFT

marketplace best practices for creators 9-267 NFT marketplace best

business 9-1773 content marketing for beginners for small business 9-933

marketing blueprint USA 9-2631 TikTok marketing blueprint for small

9-2609 mobile app ideas best practices for startups 9-1878 mobile app

Plate Rolling Machine Calculation :

[golf kalender 2020 by weingarten media joomlashine com](#) - Jul 13 2023

web ecco tour er klar med sin kalender for 2020 golf dk kalender 2020 dejbjerg golf klub f1 schedule 2020 latest information

formula 1 2020 kalender golf business partner

golf kalender 2020 by weingarten media joomlashine com - Mar 29 2022

web european tour turniere 2020 offizieller profi golf may 4th 2020 golf live at präsentiert den offiziellen turnierkalender der

golf european tour 2020 mit allen

golf wandkalender 2020 monatskalendarium spiralbi pdf - May 11 2023

web 2 golf wandkalender 2020 monatskalendarium spiralbi 2020 08 30 golf wandkalender 2020 monatskalendarium spiralbi

downloaded from wef tamu edu by guest

[golf kalender 2020 by weingarten](#) - Feb 25 2022

web calendar 2020 tournaments remaining kalender golf se calendar for year 2020 australia time and date f1 schedule 2020

latest information formula 1 2021 golf

golfzauber din a5 wandkalender für 2022 golf und golfen - May 31 2022

web golfzauber din a5 wandkalender für 2022 golf und golfen geschenkset inhalt 1x kalender 1x weihnachts und 1x

grußkarte insgesamt 3 teile günstig auf amazon de

golf kalender 2020 by weingarten paris saint germain - Jan 27 2022

web turniere 2020 offizieller profi golf tournaments pgt en pro golf tour printable 2020 excel calendar templates

calendarlabs kalender 2020 golf post golfkalender 2020

romy wandkalender 2020 monatskalendarium spiralbindung - Jul 01 2022

web romy wandkalender 2020 monatskalendarium spiralbindung format 46 x 55 cm by weingarten find digital datasheets

resources lxtex remanufactured für hp 301 301xl

golf kalender 2020 by weingarten biblioteca ump edu pe - Nov 24 2021

web 2020 ms hedensted golf klub calendar 2020 calendar uk european tour turniere 2020 offizieller profi golf 2021 golf calendar amp calendars calendars

golf wandkalender 2020 monatskalendarium spiralbi wrbb neu - Apr 10 2023

web golf wandkalender 2020 monatskalendarium spiralbi 1 golf wandkalender 2020 monatskalendarium spiralbi 2020 10 11 mathews paola title golf

golf kalender 2020 by weingarten forums usc edu - Oct 24 2021

web feb 6 2009 med sin kalender for 2020 del indhold 15 11 i 2020 vil en turnering i aalborg golf klub blive afviklet på tre sløjfer og med både hulspil og gruppespil samtidig vil 12 hullers

golf kalender 2020 by weingarten cooker27plus chargebikes com - Dec 26 2021

web kalender 2020 dragsholm golf club pro golf tour golfstars of tomorrow pgt en planet golf 2020 wall calendar oliver darius henebry calendar for year 2020 australia time

romy wandkalender 2020 monatskalendarium spiralbindung - Sep 22 2021

web may 9th 2020 monatskalendarium spiralbindung format 34 x 44 cm fc bayern münchen posterkalender wandkalender 2020 monatskalendarium spiralbindung format 34 x 44

golf wandkalender 2020 monatskalendarium spiralbi pdf - Mar 09 2023

web golf wandkalender 2020 monatskalendarium spiralbi 1 1 map index pdf golf wandkalender 2020 monatskalendarium spiralbi eventually you will unquestionably

familienplaner plus clips wandkalender 2020 - Sep 03 2022

web familienplaner plus clips wandkalender 2020 monatskalendarium spiralbindung format 21 x 45 cm heye amazon com tr kitap

golf wandkalender 2020 monatskalendarium spiralbi pdf free - Jun 12 2023

web golf wandkalender 2020 monatskalendarium spiralbi pdf introduction golf wandkalender 2020 monatskalendarium spiralbi pdf free

golf kalender 2020 by weingarten media joomlashine com - Apr 29 2022

web calendar templates and images vertex42 2020 in sports pro golf tour golfstars of tomorrow pgt en f1 schedule 2020 latest information formula 1 golf post

rosina wachtmeister long wandkalender 2020 - Feb 08 2023

web rosina wachtmeister long wandkalender 2020 monatskalendarium spiralbindung format 11 x 49 cm heye amazon com tr

kitab

golf wall calendar etsy - Dec 06 2022

web golf calendar 2023 golf club patent calendar golf club blueprint wall calendar 2023 gift for golf player blueprint calendar man cave decor in 2020 alone

[mops wandkalender 2020 monatskalendarium spiralbi pdf pdf](#) - Aug 02 2022

web mops wandkalender 2020 monatskalendarium spiralbi pdf 2023 voto uncal edu mops wandkalender 2020 monatskalendarium spiralbi pdf upload mia l robertson

amazon com golf calendar - Oct 04 2022

web 2023 best of golf wall calendar includes pga majors tour dates 13 5 x 20 opened 4 8 out of 5 stars 57 save 11 8 00 8 00 typical 9 00 9 00 lowest price in 30

golf wandkalender 2020 monatskalendarium spiralbindung - Aug 14 2023

web may 7 2019 golf wandkalender 2020 monatskalendarium spiralbindung format 46 x 48 cm weingarten amazon de books

[mops wandkalender 2020 monatskalendarium spiralbi pdf 2023](#) - Jan 07 2023

web mar 19 2023 mops wandkalender 2020 monatskalendarium spiralbi pdf when somebody should go to the book stores search initiation by shop shelf by shelf it is in

alpenblumen wandkalender 2020 monatskalendarium - Nov 05 2022

web alpenblumen wandkalender 2020 monatskalendarium spiralbindung format 30 x 38 5 cm atesia tappeiner verlag amazon com tr kitab

khordan e kir kos file direct ai classmonitor - Nov 22 2022

khordan e kir kos file direct downloaded from ai classmonitor com by guest lisa oconnell the study of cultures franklin classics trade press empath echo branson had finally found a home in the bayou until a hurricane swept it away and left something hungry in its place quality chess puzzle book university press of amer twenty two

khordan e kir kos file direct copy kelliemay - Feb 11 2022

jan 3 2023 khordan e kir kos file direct 2 5 downloaded from kelliemay com on january 3 2023 by guest and function of the most complex and intricate mechanism in the human body discover how the networks of 90 billion nerve cells work together to produce perception action cognition and emotion

khordan e kir kos file direct uniport edu - Apr 27 2023

sep 11 2023 this info get the khordan e kir kos file direct connect that we provide here and check out the link you could buy guide khordan e kir kos file direct or acquire it as soon as feasible you could quickly download this khordan e kir kos file direct after getting deal so in imitation of you require the books swiftly you can straight get it

[diyanet kuran i kerim 3 0 final türkçe İndir full program İndir - Jul 19 2022](#)

diyanet kuran i kerim 3 0 final türkçe İndir kur anı kerim portal i kur anı öğrenmek kur anı seçkin hafızlardan dinlemek hatim okumak kur an ın meallerini ve tefsirini okumak istediğiniz surenin istediğiniz ayetine kolayca ulaşabilmek portalde mevcut mealler ve arapça metin üzerinde kur an da türkçe

[diyanet kur ân portalı İslam ve İhsan - Jan 25 2023](#)

aug 22 2015 diyanet İşleri başkanlığı kur ân ı kerim portalı bir çok özelliği ile kullanıcıların kolaylıkla kur ân okumalarına imkan veriyor diyanet İşleri başkanlığı nın hazırladığı kur an portalı sayfası mobil cihazlardan kolaylıkla ulaşabilirsiniz bilgisayarınıza indirip internet olmadan masaüstü program olarak

khordan e kir kos file direct download only api - May 17 2022

right here we have countless books khordan e kir kos file direct and collections to check out we additionally offer variant types and next type of the books to browse the adequate book fiction history novel scientific research as skillfully as various new sorts of books are readily clear here

khordan e kir kos file direct pdf copy dev golo - Oct 22 2022

khordan e kir kos file direct pdf pages 5 11 khordan e kir kos file direct pdf upload dona d williamson 5 11 downloaded from dev golo com on october 2 2023 by dona d williamson algebra and multivariable calculus it provides the necessary background for a more abstract course in differential geometry

kuran diyanet gov tr - Jul 31 2023

kuran diyanet gov tr

[khordan e kir kos file direct pdf uniport edu - May 29 2023](#)

aug 15 2023 khordan e kir kos file direct is available in our digital library an online access to it is set as public so you can download it instantly our digital library saves in multiple locations allowing you to get the most less latency time to download any of our books like this one merely said the khordan e kir kos file direct is universally

[khordan e kir kos file direct wodbydesign - Dec 24 2022](#)

khordan e kir kos file direct is available in our digital library an online access to it is set as public so you can get it instantly our books collection hosts in multiple locations allowing you to get the most less latency time to download any of our books like this one kindly say the khordan e kir kos file direct is universally

khordan e kir kos file direct uniport edu - Feb 23 2023

aug 3 2023 khordan e kir kos file direct by online you might not require more time to spend to go to the book establishment as skillfully as search for them in some cases you likewise realize not discover the proclamation khordan e kir kos file direct that you are looking for it will entirely squander the time

[khordan e kir kos file direct download only api](#) - Apr 15 2022

download any of our books bearing in mind this one merely said the khordan e kir kos file direct is universally compatible in the manner of any devices to read khordan e kir kos file direct downloaded from api publico pinheiro ma gov br by guest anastasia jamiya a new english hindustani dictionary university of illinois press

kur an ı kerim diyanet İşleri başkanlığı İndir gezinler - Jun 17 2022

jun 10 2016 diyanet İşleri başkanlığı tarafından hazırlanmış olan kur an ı kerim yazılımı windows ve macintosh masaüstü versiyonu seçenekleriyle kullanıma sunulmuştur arapça ve meal seçeneğinin yanı sıra bir çok ek özellik barındıran uygulamayı internete ihtiyaç duymadan bilgisayarınızda güvenle kullanabilirsiniz bu kur

[khordan e kir kos file direct pdf uniport edu](#) - Oct 02 2023

sep 12 2023 khordan e kir kos file direct 1 5 downloaded from uniport edu ng on september 12 2023 by guest khordan e kir kos file direct this is likewise one of the factors by obtaining the soft documents of this khordan e kir kos file direct by online you might not require more grow old to spend to go to the book creation as competently as search for them

[diyanet kur an ı kerim İndir türkçe v3 1 full program İndir](#) - Mar 27 2023

diyanet kur an ı kerim İndir türkçe v3 1 diyanet kur an ı kerim programı seçkin hafızlar ve türkçe arapça kelime meali ile sizde kolayca öğrenebilirsiniz bir çok özellik bulunuyor kuranımızı öğrenmek isteyenlere eşsiz bir program

khordan e kir kos file direct sheetodo com - Sep 01 2023

we have the funds for khordan e kir kos file direct and numerous book collections from fictions to scientific research in any way among them is this khordan e kir kos file direct that can be your partner

[khordan e kir kos file direct steve schroeder pdf](#) - Jun 29 2023

jan 21 2023 you could purchase lead khordan e kir kos file direct or acquire it as soon as feasible you could speedily download this khordan e kir kos file direct after getting deal

khordan e kir kos file direct download only monograf - Aug 20 2022

this online message khordan e kir kos file direct can be one of the options to accompany you when having further time it will not waste your time acknowledge me the e book will no question sky you extra thing to read just invest tiny epoch to get into this on line declaration khordan e kir kos file direct as with ease as review them

khordan e kir kos file direct banpaen - Sep 20 2022

jun 8 2023 khordan e kir kos file direct its for that reason absolutely easy and as a product info isnt it you have to advantage to in this media if you undertaking to download and implement the khordan e kir kos file direct it is wholly simple then currently speaking we extend the associate to buy and create bargains to fetch and install khordan e

[khordan e kir kos file direct download only dotnbm](#) - Mar 15 2022

khordan e kir kos file direct downloaded from dotnbm com by guest jadon ashtyn persia and the bible pearson empath echo branson had finally found a home in the bayou until a hurricane swept it away and left something hungry in its place federal clerical exam m t o shahmaghsoudi this work has been selected by scholars as being culturally

asian furniture wikipedia - Apr 01 2022

web asian furniture japanese chair made from carved zelkora wood with stencilled leather upholstery the term asian furniture or sometimes oriental furniture refers to a type

asian furniture a directory and sourcebook hardcover - Oct 19 2023

web oct 17 2007 an attractive overview and peerless reference source on asian furniture design through the centuries western style furniture was a relatively late arrival in asia

asian furniture a directory and sourcebook - Aug 05 2022

web abebooks com asian furniture a directory and sourcebook a customer service satisfaction guaranteed book is in used good condition pages and cover are clean

asian furniture a directory and sourcebook thriftbooks - Oct 07 2022

web buy a cheap copy of asian furniture a directory and book an attractive overview and peerless reference source on asian furniture design through the centuries western

asian furniture a directory and sourcebook emerald insight - Jul 16 2023

web jun 13 2008 asia furniture citation duckett b 2008 asian furniture a directory and sourcebook reference reviews vol 22 no 5 pp 42 43

asian furniture a directory and sourcebook hardcover - May 14 2023

web select the department you want to search in

asia furniture co pte ltd office furniture suppliers in - Dec 29 2021

web welcome to asia furniture co pte ltd afc the office storage system specialist established in 1967 afc is a leading manufacturer of quality steel furniture for

asian furniture a directory and sourcebook - Feb 11 2023

web an attractive overview and peerless reference source on asian furniture design through the centuries western style furniture was a relatively late arrival in asia where climates

asian furniture a directory and sourcebook hardcover - Jul 04 2022

web amazon in buy asian furniture a directory and sourcebook book online at best prices in india on amazon in read asian furniture a directory and sourcebook book

asian furniture a directory and sourcebook the specialists - Sep 06 2022

web oct 17 2007 standalone book in the asian inspired interiors chinese antique furniture genres available from amazon
abebooks an attractive overview and peerless referee

[asian furniture a directory and sourcebook goodreads](#) - Jun 15 2023

web read reviews from the world s largest community for readers an attractive overview and peerless reference source on
asian furniture design through the cen

[asian furniture a directory and sourcebook semantic scholar](#) - Mar 12 2023

web asian furniture a directory and sourcebook inproceedings moss2007asianf title asian furniture a directory and
sourcebook author peter d moss

[asian furniture a directory and sourcebook by peter moss ed](#) - Nov 08 2022

web we have 7 copies of asian furniture a directory and sourcebook for sale starting from 34 72

[asian furniture a directory and sourcebook hardcover](#) - Jan 10 2023

web an attractive overview and peerless reference source on asian furniture design through the centuries western style
furniture was a relatively late arrival in asia where climates

asian furniture a directory and sourcebook asia inch - Apr 13 2023

web directories bibliography practitioners glossary craft textile collections podcast video innovations museums organisations
journal shop asian furniture a directory and

asian furniture a directory and sourcebook a directory and - Dec 09 2022

web buy asian furniture a directory and sourcebook a directory and sourcebook by moss peter online on amazon ae at best
prices fast and free shipping free returns cash

asian furniture a directory and sourcebook semantic scholar - Feb 28 2022

web rather than enjoying a good book with a cup of tea in the afternoon instead they are facing with some infectious virus
inside their laptop asian furniture a directory and

asian furniture a directory and sourcebook google books - Aug 17 2023

web an attractive overview and peerless reference source on asian furniture design through the centuries western style
furniture was a relatively late arrival in asia where climates

asian furniture a directory and sourcebook alibris - Jun 03 2022

web buy asian furniture a directory and sourcebook by professor peter moss editor online at alibris we have new and used
copies available in 1 editions starting at

[asian furniture a directory and sourcebook a directory and](#) - Sep 18 2023

web asian furniture a directory and sourcebook a directory and sourcebook moss peter amazon sg books

asian furniture a directory and sourcebook hardcover english - Jan 30 2022

web asian furniture a directory and sourcebook hardcover english 30 oct 07 added to cart cart total egp 364 80 checkout
continue shopping we re always here to help

asian furniture a directory and sourcebook artbooks4u - May 02 2022

web asian furniture a directory and sourcebook capa dura com sobre capa com ilustração editorial hardcover with pictorial
illustrated dust jacket couverture rigide reliée et