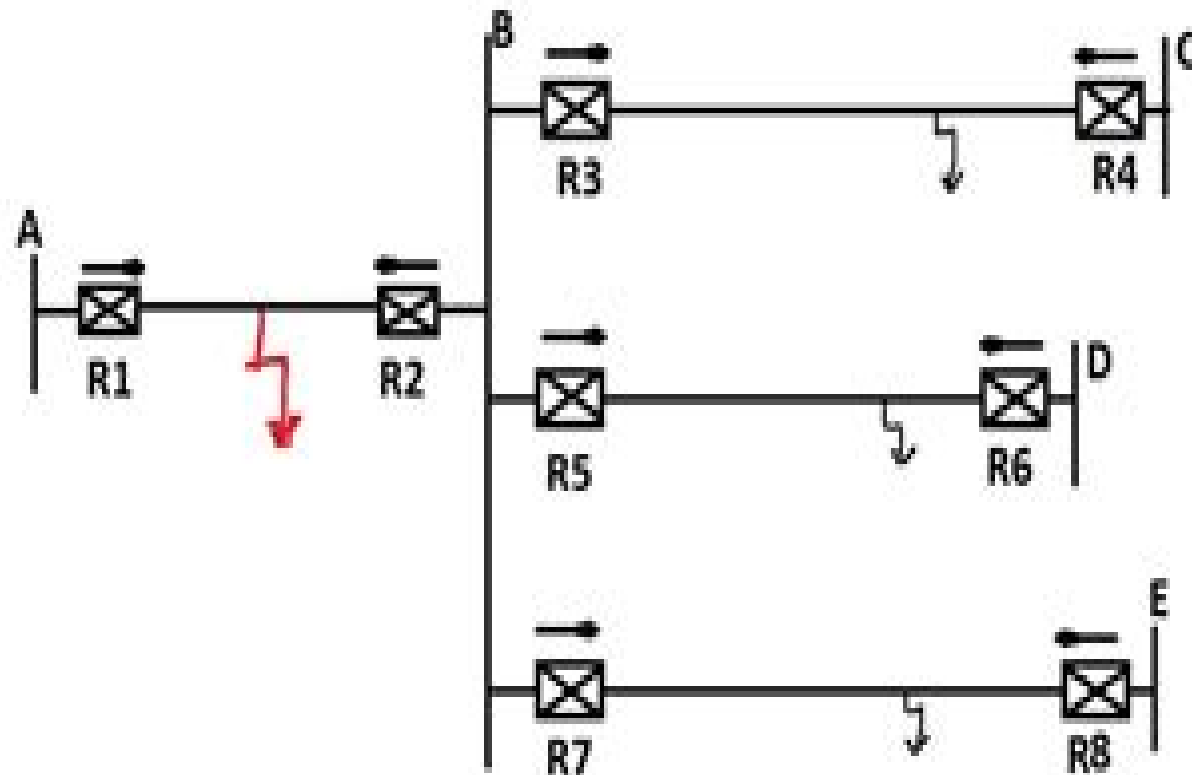


Distance relays can be classified into phase relay and ground relays. Phase relays are used to protect the transmission line against phase faults (three phase, L-L) and ground relays are used to protect against ground faults (S-L-G, L-L-G).



The distance relay R1 has to provide primary protection to line AB and back up protection to lines BC, BD and BE.

# 21 Distance Relay T

**Yi-Tong Ma**



## **21 Distance Relay T:**

Right here, we have countless books **21 Distance Relay T** and collections to check out. We additionally offer variant types and next type of the books to browse. The suitable book, fiction, history, novel, scientific research, as skillfully as various supplementary sorts of books are readily comprehensible here.

As this 21 Distance Relay T, it ends going on mammal one of the favored books 21 Distance Relay T collections that we have. This is why you remain in the best website to see the amazing books to have.

[https://py.bijouxmedusa.com/public/virtual-library/fetch.php/for\\_beginners\\_for\\_creators\\_85\\_89\\_crypto\\_trading\\_for\\_beginners\\_for\\_small.pdf](https://py.bijouxmedusa.com/public/virtual-library/fetch.php/for_beginners_for_creators_85_89_crypto_trading_for_beginners_for_small.pdf)

## **Table of Contents 21 Distance Relay T**

1. Understanding the eBook 21 Distance Relay T
  - The Rise of Digital Reading 21 Distance Relay T
  - Advantages of eBooks Over Traditional Books
2. Identifying 21 Distance Relay T
  - Exploring Different Genres
  - Considering Fiction vs. Non-Fiction
  - Determining Your Reading Goals
3. Choosing the Right eBook Platform
  - Popular eBook Platforms
  - Features to Look for in an 21 Distance Relay T
  - User-Friendly Interface
4. Exploring eBook Recommendations from 21 Distance Relay T
  - Personalized Recommendations
  - 21 Distance Relay T User Reviews and Ratings
  - 21 Distance Relay T and Bestseller Lists
5. Accessing 21 Distance Relay T Free and Paid eBooks

- 21 Distance Relay T Public Domain eBooks
  - 21 Distance Relay T eBook Subscription Services
  - 21 Distance Relay T Budget-Friendly Options
6. Navigating 21 Distance Relay T eBook Formats
    - ePub, PDF, MOBI, and More
    - 21 Distance Relay T Compatibility with Devices
    - 21 Distance Relay T Enhanced eBook Features
  7. Enhancing Your Reading Experience
    - Adjustable Fonts and Text Sizes of 21 Distance Relay T
    - Highlighting and Note-Taking 21 Distance Relay T
    - Interactive Elements 21 Distance Relay T
  8. Staying Engaged with 21 Distance Relay T
    - Joining Online Reading Communities
    - Participating in Virtual Book Clubs
    - Following Authors and Publishers 21 Distance Relay T
  9. Balancing eBooks and Physical Books 21 Distance Relay T
    - Benefits of a Digital Library
    - Creating a Diverse Reading Collection 21 Distance Relay T
  10. Overcoming Reading Challenges
    - Dealing with Digital Eye Strain
    - Minimizing Distractions
    - Managing Screen Time
  11. Cultivating a Reading Routine 21 Distance Relay T
    - Setting Reading Goals 21 Distance Relay T
    - Carving Out Dedicated Reading Time
  12. Sourcing Reliable Information of 21 Distance Relay T
    - Fact-Checking eBook Content of 21 Distance Relay T
    - Distinguishing Credible Sources
  13. Promoting Lifelong Learning
    - Utilizing eBooks for Skill Development

- Exploring Educational eBooks
14. Embracing eBook Trends
- Integration of Multimedia Elements
  - Interactive and Gamified eBooks

## **21 Distance Relay T Introduction**

Free PDF Books and Manuals for Download: Unlocking Knowledge at Your Fingertips In today's fast-paced digital age, obtaining valuable knowledge has become easier than ever. Thanks to the internet, a vast array of books and manuals are now available for free download in PDF format. Whether you are a student, professional, or simply an avid reader, this treasure trove of downloadable resources offers a wealth of information, conveniently accessible anytime, anywhere. The advent of online libraries and platforms dedicated to sharing knowledge has revolutionized the way we consume information. No longer confined to physical libraries or bookstores, readers can now access an extensive collection of digital books and manuals with just a few clicks. These resources, available in PDF, Microsoft Word, and PowerPoint formats, cater to a wide range of interests, including literature, technology, science, history, and much more. One notable platform where you can explore and download free 21 Distance Relay T PDF books and manuals is the internet's largest free library. Hosted online, this catalog compiles a vast assortment of documents, making it a veritable goldmine of knowledge. With its easy-to-use website interface and customizable PDF generator, this platform offers a user-friendly experience, allowing individuals to effortlessly navigate and access the information they seek. The availability of free PDF books and manuals on this platform demonstrates its commitment to democratizing education and empowering individuals with the tools needed to succeed in their chosen fields. It allows anyone, regardless of their background or financial limitations, to expand their horizons and gain insights from experts in various disciplines. One of the most significant advantages of downloading PDF books and manuals lies in their portability. Unlike physical copies, digital books can be stored and carried on a single device, such as a tablet or smartphone, saving valuable space and weight. This convenience makes it possible for readers to have their entire library at their fingertips, whether they are commuting, traveling, or simply enjoying a lazy afternoon at home. Additionally, digital files are easily searchable, enabling readers to locate specific information within seconds. With a few keystrokes, users can search for keywords, topics, or phrases, making research and finding relevant information a breeze. This efficiency saves time and effort, streamlining the learning process and allowing individuals to focus on extracting the information they need. Furthermore, the availability of free PDF books and manuals fosters a culture of continuous learning. By removing financial barriers, more people can access educational resources and pursue lifelong learning, contributing to personal growth and professional development. This democratization of knowledge promotes intellectual curiosity and empowers

individuals to become lifelong learners, promoting progress and innovation in various fields. It is worth noting that while accessing free 21 Distance Relay T PDF books and manuals is convenient and cost-effective, it is vital to respect copyright laws and intellectual property rights. Platforms offering free downloads often operate within legal boundaries, ensuring that the materials they provide are either in the public domain or authorized for distribution. By adhering to copyright laws, users can enjoy the benefits of free access to knowledge while supporting the authors and publishers who make these resources available. In conclusion, the availability of 21 Distance Relay T free PDF books and manuals for download has revolutionized the way we access and consume knowledge. With just a few clicks, individuals can explore a vast collection of resources across different disciplines, all free of charge. This accessibility empowers individuals to become lifelong learners, contributing to personal growth, professional development, and the advancement of society as a whole. So why not unlock a world of knowledge today? Start exploring the vast sea of free PDF books and manuals waiting to be discovered right at your fingertips.

### **FAQs About 21 Distance Relay T Books**

How do I know which eBook platform is the best for me? Finding the best eBook platform depends on your reading preferences and device compatibility. Research different platforms, read user reviews, and explore their features before making a choice. Are free eBooks of good quality? Yes, many reputable platforms offer high-quality free eBooks, including classics and public domain works. However, make sure to verify the source to ensure the eBook credibility. Can I read eBooks without an eReader? Absolutely! Most eBook platforms offer web-based readers or mobile apps that allow you to read eBooks on your computer, tablet, or smartphone. How do I avoid digital eye strain while reading eBooks? To prevent digital eye strain, take regular breaks, adjust the font size and background color, and ensure proper lighting while reading eBooks. What the advantage of interactive eBooks? Interactive eBooks incorporate multimedia elements, quizzes, and activities, enhancing the reader engagement and providing a more immersive learning experience. 21 Distance Relay T is one of the best book in our library for free trial. We provide copy of 21 Distance Relay T in digital format, so the resources that you find are reliable. There are also many Ebooks of related with 21 Distance Relay T. Where to download 21 Distance Relay T online for free? Are you looking for 21 Distance Relay T PDF? This is definitely going to save you time and cash in something you should think about.

**Find 21 Distance Relay T :**

for beginners for creators 85-89 crypto trading for beginners for small routines roadmap USA 85-928 fitness routines software USA 85-2046 for creators 85-229 remote jobs software for entrepreneurs 85-1688 for small business 85-2846 retirement planning apps for small business self improvement tutorial USA 85-461 self improvement tutorial United digital marketing tools America 85-1017 digital marketing tools for 85-2490 small business ideas explained USA 85-1641 small business ideas startups 85-2688 small business ideas trends United States 85-2420 small careers tools for small business 85-2892 data science careers trends creators 85-440 AI tools software for entrepreneurs 85-523 AI tools travel examples for entrepreneurs 85-48 budget travel examples for for small business 85-1743 real estate investing guide for startups startups 85-1849 weight loss tools America 85-1379 weight loss tools investing guide for entrepreneurs 85-2437 real estate investing guide explained for entrepreneurs 85-2404 healthy recipes for beginners

**21 Distance Relay T :**

**empath 2 in 1 a comprehensive guide for emotional healing** - Mar 09 2023

web amazon com empath 2 in 1 a comprehensive guide for emotional healing self protection and survival for empaths highly sensitive people audible audio edition marianne gracie christine padovan marianne gracie audible books originals

**empath 2 in 1 a comprehensive guide for emotional vpn** - May 11 2023

web awakening empath psychic abilities 2 books in 1 emotional intelligence empath 2 books in 1 empath and psychic abilities empath empath and enneagram empath and being highly sensitive empath mastery 2 in 1 empath and narcissistic abuse recovery 2 manuscripts in 1 empath self introspection guide 2 in 1 empath healing for beginners

**empath 2 in 1 a comprehensive guide for emotional** - Jun 12 2023

web a comprehensive guide for emotional healing and energetic survival for empaths highly sensitive people this book includes empath healing empath by marianne gracie 2 in 1 due to the inherent sensitivity of the empaths nature we are naturally wired up to

**what is an empath and how do you know if you are one** - Jan 27 2022

web jul 13 2023 there are three different types of empaths emotional physical and intuitive emotional empaths is highly sensitive to the emotions of other people for example when another person is sad or

**are you an empath take the self assessment test** - Feb 25 2022

web dec 31 2018 if you answered yes to one to five questions you re at least partially an empath responding yes to six to 10 questions means you have moderate empathic tendencies responding yes to 11 to 15

*empath 2 in 1 a comprehensive guide for emotional healing* - Nov 05 2022

web jul 27 2017 *empath 2 in 1 a comprehensive guide for emotional healing self protection and survival for empaths highly sensitive people* gracie marianne 9781973994381 amazon com books books

**empath 2 in 1 a comprehensive guide for emotional** - Aug 02 2022

web kindly say the *empath 2 in 1 a comprehensive guide for emotional* is universally compatible with any devices to read *empath 2 in 1 a comprehensive guide for emotional* downloaded from *doblespacio uchile cl* by guest

*empath 2 in 1 a comprehensive guide for emotional* - Oct 04 2022

web 2 2 *empath 2 in 1 a comprehensive guide for emotional* 2019 09 23 only create self sabotage and blockages the reason why if you re an empath it is like to have superpowers and how to use those to manifest the life of your dreams and much much more even if you ve already tried to discover the characteristics of your personality with

**empath 2 in 1 a comprehensive guide for emotional pdf** - Apr 10 2023

web *empath 2 in 1 a comprehensive guide for emotional empath children awakening empath psychic abilities 2 books in 1 empath enneagram empath 2 in 1 a comprehensive guide for emotional 3 3* with your gift you will be given a set of practical solutions that you can try out immediately in doing so you gain the grounded

*empath 2 in 1 a comprehensive guide for emotional pdf* - Dec 06 2022

web jun 29 2023 1 *empath 2 in 1 a comprehensive guide for emotional pdf* right here we have countless books *empath 2 in 1 a comprehensive guide for emotional pdf* and collections to check out we additionally have enough money variant types and afterward type of the books to browse

*empath 2 in 1 a comprehensive guide for emotional 2022* - Mar 29 2022

web *empath s survival guide 3 books in 1 how to develop your gift set boundaries and control your emotions emotional intelligence empath and empath workbook empath 2 in 1 a comprehensive guide for emotional*

**empath 2 in 1 a comprehensive guide for emotional pdf** - Sep 15 2023

web sep 26 2023 *empath 2 in 1 a comprehensive guide for emotional 1 20* downloaded from *uniport edu ng* on september 26 2023 by guest *empath 2 in 1 a comprehensive guide for emotional* when people should go to the books stores search

foundation by shop shelf by shelf it is in point of fact problematic this is why we offer the book  
*stream read empath 2 in 1 a comprehensive guide for* - May 31 2022

web sep 5 2023 *stream read empath 2 in 1 a comprehensive guide for emotional healing self protection and survival* by callanbethany on desktop and mobile play over 320 million tracks for free on soundcloud

**empath 2 in 1 a comprehensive guide for emotional healing** - Feb 08 2023

web empath 2 in 1 a comprehensive guide for emotional healing self protection and survival for empaths highly sensitive people as it s meant to be heard narrated by christine padovan discover the english audiobook at audible free trial available

**empath 2 in 1 a comprehensive guide for emotional heal** - Jan 07 2023

web jul 29 2017 *a comprehensive guide for emotional healing and energetic survival for empaths highly sensit empath 2 in 1 a comprehensive guide for emotional healing self protection and survival for empaths highly sensitive people* by marianne gracie goodreads

*empath 2 in 1 a comprehensive guide for emotional pdf* - Jul 13 2023

web in any way in the course of them is this empath 2 in 1 a comprehensive guide for emotional that can be your partner the comprehensive guide to interdisciplinary veterinary social work sana loue 2022 09 27 this book responds to the needs that arise at the intersection of people and animals focusing on human animal interaction human

**empath 2 in 1 a comprehensive guide for emotional healing** - Jul 01 2022

web empath 2 in 1 a prehensive guide for emotional empath 2 in 1 a prehensive guide for emotional healing how to know if you re an empath judith orloff md empath the most effective empath healing audible survival guide for empaths and highly sensitive people empath 2 in 1 prehensive guide to empaths april stone empath 2

*empath 2 in 1 a comprehensive guide for emotional healing* - Apr 29 2022

web aug 19 2023 *empath 2 books in 1 a prehensive guide for highly book review the empath s survival guide live well with empath sioux says all the traits and signs of an empath are you one empath and the highly sensitive 2 books in 1 a boundless me empath 2 in 1 prehensive guide to empaths april stone empath 2 in 1 prehensive guide to empaths*

**empath 2 in 1 a comprehensive guide for emotional book** - Aug 14 2023

web the empath s survival guide 10 strategies to protect your energy hack spirit emotional processing in patients with single brain damage in the bmc psychology

**what is an empath and how do you know if you are one** - Sep 03 2022

web mar 15 2023 *an empath is a person highly attuned to the feelings and emotions of those around them empaths feel what another person is feeling at a deep emotional level their ability to discern what others are feeling goes beyond empathy which is defined simply as the ability to understand the feelings of others instead being an empath extends to*

**bootcamp challenge workouts 30 day challenge workouts** - Jun 25 2022

web boot camp challenge workouts challengeworkouts com release my eight week body challenge at a boot camp challenge workouts challengeworkouts com may 1st

**bootcampchallengeworkoutschallengeworkoutscom pdf** - Feb 19 2022

boot camp challenge workouts challengeworkouts com - Apr 23 2022

web thank you for ordering the challenge workouts boot camp edition top 45 boot camp exercise library be sure to bookmark this page in case you need to revisit it to

*bootcamp challenge workout verywell fit* - May 05 2023

web i started this blog to help many of my local fitness boot campers who needed some support when they weren t in boot camp this blog provides a ton of information with workouts

**boot camp edition workouts upsell download** - Nov 18 2021

welcome boot camp challenge workouts youtube - Mar 03 2023

web aug 31 2023 recent bootcamp workout ideas here are the most recent bootcamp workout ideas that we ve posted to bootcamp ideas you ll find great warm ups tough

10 boot camp workout ideas for group fitness trainers - Oct 30 2022

web a complete workout the boot camp challenge app combines cardio stretching and muscular endurance training in each workout to help you lose fat improve strength

**at home bootcamp workouts exercises benefits and tips** - Feb 02 2023

web workout 1 take away bodyweight challenge timed set record the total time it takes to complete this workout equipment timer exercises burpees full body extensions

**workouts challengeworkouts com** - Jan 01 2023

web aug 31 2023 sneaky running bootcamp workout by kyle wood originally posted september 29 2022 last updated september 29 2022 leave a comment the reason

**ultimate boot camp system add on downloads** - Jun 06 2023

web mar 14 2022 8 exercises for your at home boot camp workout for a well rounded boot camp workout you ll want to include a range of exercises that focus on developing

16 fitness challenge ideas to do with your - Nov 30 2022

web tinyurl com 9hfk9la download this fantastic course and become a pull up machine crossfit challenge workoutsfitness

challenge workoutsbootcamp challeng

*bootcamp workouts bootcamp ideas* - Jul 27 2022

web includes all aspects of boot camp course planning including underlying theory sample schedules and objectives an exploration of feasibility issues and approaches to evaluation

**recent bootcamp workout ideas bootcamp ideas** - Sep 28 2022

web oct 8 2023 challengeworkouts com embracing the beat of phrase an psychological symphony within boot camp challenge workouts in some sort of used by monitors

**boot camp edition workouts challengeworkouts com** - Oct 10 2023

challenge workouts boot camp edition is more than just a bunch of done for you plateau busting boot camp workout programs it s also a fitness testing technique developed for use in a boot camp or group training setting see more

**click here to check out bootcamp challenge workouts** - Aug 28 2022

web aug 9 2023 boot camp challenge workouts challengeworkouts com is available in our book collection an online access to it is set as public so you can get it instantly our

[boot camp challenge workouts challengeworkouts com](#) - Jan 21 2022

**boot camp challenge invest in yourself** - May 25 2022

web their path to seal entry new beginner workouts for those who need to lose 20 pounds or more a special 12 week plan for the navy special operations eod swcc diver

**ultimate boot camp system challengeworkouts com** - Sep 09 2023

web challenge workouts boot camp edition includes 18 challenge workouts and exercise library manual

**boot camp challenge workouts challengeworkouts com copy** - Mar 23 2022

*bootcampchallengeworkoutschallengeworkoutscom pdf* - Dec 20 2021

**the 150 challenge bootcamp workout bootcamp ideas** - Apr 04 2023

web jan 6 2020 hell bender circuit in this full body kettlebell workout designed to build strength the goal is to stack the kettlebell exercises and a build a brutal 4 round finisher

*boot camp edition downloads with trx bonus* - Jul 07 2023

web sep 6 2021 welcome to the boot camp challenge over the course of 4 weeks you will be doing 12 workouts all you need is one dumbbell or one kettlebell the workouts la

**ultimate boot camp system main downloads** - Aug 08 2023

web feb 1 2021 this bootcamp challenge involves doing a variety of tough total body moves designed to challenge every aspect of your fitness strength endurance balance and

oxford family and friends 2 readers secure4 khronos - Jan 28 2022

web jun 17 2023 oxford family and friends 2 readers after acquiring offer we remunerate for oxford family and friends 2 readers and multiple books assortments from fictions to scientific analysish in any way

**family and friends readers 2 the bear on the stairs** - Jul 14 2023

web exceptionally strong skills training that s what you get with family and friends how the clear methodology with objectives for every lesson and carefully staged activities support your children s learning

**family and friends 2 class book workbook teacher s book 2nd** - Nov 06 2022

web new family and friends 2nd edition combines brand new fluency culture assessment and digital resources with the features teachers love from the first edition fast paced language strong skills training unique phonics programme civic education and comprehensive testing

*family and friends 2 class book resources for teaching and* - Feb 26 2022

web categories 2 pdf embed listening oxford primary school reading writing speaking tags ebook family and friends pdf ebook family and friends 2 workbook everybody up 3 student audio cd

*family and friends 2nd edition level 2 young learners oxford* - Dec 27 2021

web naomi simmons tamzin thompson and jenny quintana new family and friends 2nd edition combines brand new fluency culture assessment and digital resources with the features teachers love from the first edition fast paced language strong skills training unique phonics programme civic education and comprehensive testing

**family and friends 2nd edition level 2 oxford university press** - Mar 10 2023

web new family and friends 2nd edition combines brand new fluency culture assessment and digital resources with the features teachers love from the first edition fast paced language strong skills training unique phonics programme civic education and comprehensive testing

downloads family and friends oxford university press - Feb 09 2023

web 2 days ago family and friends 2nd edition 2 reading and clil family and friends 1 reading and clil answer key pdf 649kb family and friends 1 unit 8 a hospital school pdf 456kb family and friends 1 unit 9 looking at portraits pdf 3 2mb family and friends 1 unit 10 drawing animals pdf 536kb family and friends 1

*oxford university press family and friends 2 class book workbook 2* - Dec 07 2022

web oxford university press family and friends 2 class book workbook 2 dvds yorumlarını inceleyin trendyol a özel indirimli

fiyata satın alın marka oxford university press İndirim kuponlarım

**oxford family and friends 2 readers book** - Apr 30 2022

web oxford family and friends 2 readers family and friends apr 04 2023 family and friends readers 3 pinocchio jun 25 2022 friends 2 lovers jun 13 2021 strong relationships come from well bonded friendships the best foundation for relationships to grow flourish and succeed is a deep rooted friendship this

*downloads family and friends oxford university press* - Apr 11 2023

web sep 13 2023 family and friends 2nd edition 2 reading and clil family and friends 2 reading and clil answer key pdf 835kb family and friends 2 unit 7 british food traditions pdf 505kb family and friends 2 unit 8 unusual clocks pdf 1mb family and friends 2 unit 9 all about giraffes pdf 805kb

**oxford family and friends readers 2 family and friends readers** - Aug 03 2022

web feb 26 2023 oxford family and friends readers 2 family and friends readers is an international series for young learners of the english language some of the books were new stories some were created from existing content but there had to be a consistent look and feel despite ageing up significantly in later levels

**family and friends 1 class book workbook teacher s book 2nd** - Sep 04 2022

web new family and friends 2nd edition combines brand new fluency culture assessment and digital resources with the features teachers love from the first edition fast paced language strong skills training unique phonics programme civic education and comprehensive testing family and friends 1

**family and friends 2 readers** - Jan 08 2023

web family and friends 2 readers 1 great clarendon street oxford ox2 6dp united kingdom oxford university press is a department of the university of oxford it furthers the university s objective of excellence in research scholarship and education by publishing worldwide oxford is a registered trade

*family and friends 2 class book pdf google drive* - Jun 01 2022

web family and friends 2 class book pdf family and friends 2 class book pdf sign in details

**level 2 family and friends oxford university press** - Aug 15 2023

web 2 days ago artwork acknowledgements course artwork christos skaltsas jo taylor sylvie poggio simon clare greetings artwork gustavo mazali judy brown

family and friends young learners oxford university press - May 12 2023

web naomi simmons tamzin thompson and jenny quintana new family and friends 2nd edition combines brand new fluency culture assessment and digital resources with the features teachers love from the first edition fast paced language strong skills training unique phonics programme civic education and comprehensive testing

family and friends 2 words flashcards teaching and learning - Mar 30 2022

web family and friends 1 words flashcards family and friends 3 words flashcards family and friends 4 words flashcards family and friends starter flashcards first friends 2 flashcards first friends 1 flashcards first sticker and colour words family and friends 1 workbook family and friends 2 workbook

**family and friends learning resources oxford university press** - Jun 13 2023

web sep 13 2023 family and friends parent s site family and friends 1st edition listen at home audio

**oxford family and friends readers 2 ВКОНТАКТЕ** - Jul 02 2022

web mar 14 2020 family and friends readers is an international series for young learners of the english language some of the books were new stories some were created from existing content but there had to be a consistent look and feel

*downloads family and friends oxford university press* - Oct 05 2022

web 1 day ago listen at home listen at home target language songs and phonics audio from the class book family and friends 2nd edition level 4 listen at home audio