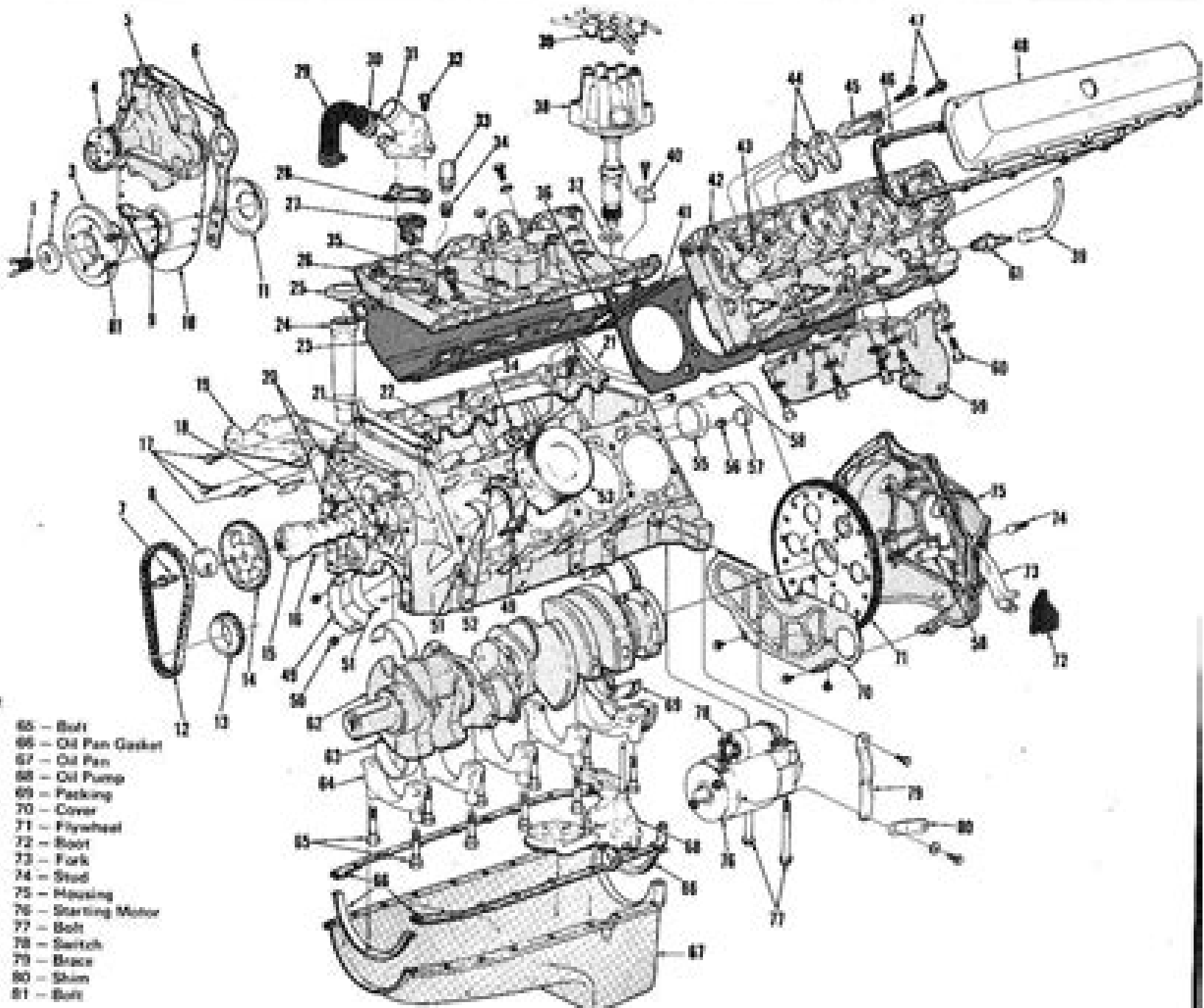


- 1 - Rollers
- 4 - Hub
- 5 - Water Pump
- 6 - Gasket
- 7 - Bolt
- 8 - Eccentric
- 9 - Indicator
- 10 - Cover
- 11 - Slinger
- 12 - Timing Chain
- 13 - Gear, Crankshaft
- 14 - Gear, Camshaft
- 15 - Camshaft
- 16 - Pin
- 17 - Bolt
- 18 - Bottle
- 19 - Bracket
- 20 - Plug
- 21 - Seal
- 22 - Bottle
- 23 - Gasket
- 24 - Tube
- 25 - Cap
- 26 - Intake Manifold
- 27 - Thermostat
- 28 - Gasket
- 29 - Hose
- 30 - Clamp
- 31 - Outlet
- 32 - Bolt
- 33 - Switch
- 34 - Plug
- 35 - Bolt
- 36 - Push Rod
- 37 - Gasket
- 38 - Distributor
- 39 - Wire
- 40 - Clamp
- 41 - Head Gasket
- 42 - Head
- 43 - Spring
- 44 - Rocker Arm
- 45 - Push Rod Pin
- 46 - Valve Cover Gasket
- 47 - Bolt
- 48 - Cover
- 49 - Connecting Rod
- 50 - Nut
- 51 - Bearing
- 52 - Bolt
- 53 - Piston & Pin
- 54 - Valve Lifter
- 55 - Plug
- 56 - Plug
- 57 - Plug
- 58 - Pin
- 59 - Exhaust Manifold
- 60 - Bolt
- 61 - Spark Plug
- 62 - Crankshaft
- 63 - Bearing
- 64 - Cap
- 65 - Bolt
- 66 - Oil Pan Gasket
- 67 - Oil Pan
- 68 - Oil Pump
- 69 - Packing
- 70 - Cover
- 71 - Flywheel
- 72 - Bolt
- 73 - Fork
- 74 - Stud
- 75 - Housing
- 76 - Starting Motor
- 77 - Bolt
- 78 - Switch
- 79 - Brace
- 80 - Shim
- 81 - Bolt



# 3 8 Ford Engine Components Disassembled View

**PT Brinkman**



### **3 8 Ford Engine Components Disassembled View:**

Recognizing the showing off ways to acquire this books **3 8 Ford Engine Components Disassembled View** is additionally useful. You have remained in right site to begin getting this info. get the 3 8 Ford Engine Components Disassembled View belong to that we manage to pay for here and check out the link.

You could buy guide 3 8 Ford Engine Components Disassembled View or acquire it as soon as feasible. You could quickly download this 3 8 Ford Engine Components Disassembled View after getting deal. So, next you require the books swiftly, you can straight get it. Its for that reason no question simple and so fats, isnt it? You have to favor to in this tune

[https://py.bijouxmedusa.com/files/scholarship/fetch.php/Investing\\_Case\\_Study\\_For\\_Small\\_Business\\_69\\_2071\\_Crypto\\_Investing\\_Case.pdf](https://py.bijouxmedusa.com/files/scholarship/fetch.php/Investing_Case_Study_For_Small_Business_69_2071_Crypto_Investing_Case.pdf)

## **Table of Contents 3 8 Ford Engine Components Disassembled View**

1. Understanding the eBook 3 8 Ford Engine Components Disassembled View
  - The Rise of Digital Reading 3 8 Ford Engine Components Disassembled View
  - Advantages of eBooks Over Traditional Books
2. Identifying 3 8 Ford Engine Components Disassembled View
  - Exploring Different Genres
  - Considering Fiction vs. Non-Fiction
  - Determining Your Reading Goals
3. Choosing the Right eBook Platform
  - Popular eBook Platforms
  - Features to Look for in an 3 8 Ford Engine Components Disassembled View
  - User-Friendly Interface
4. Exploring eBook Recommendations from 3 8 Ford Engine Components Disassembled View
  - Personalized Recommendations
  - 3 8 Ford Engine Components Disassembled View User Reviews and Ratings
  - 3 8 Ford Engine Components Disassembled View and Bestseller Lists

5. Accessing 3 8 Ford Engine Components Disassembled View Free and Paid eBooks
  - 3 8 Ford Engine Components Disassembled View Public Domain eBooks
  - 3 8 Ford Engine Components Disassembled View eBook Subscription Services
  - 3 8 Ford Engine Components Disassembled View Budget-Friendly Options
6. Navigating 3 8 Ford Engine Components Disassembled View eBook Formats
  - ePub, PDF, MOBI, and More
  - 3 8 Ford Engine Components Disassembled View Compatibility with Devices
  - 3 8 Ford Engine Components Disassembled View Enhanced eBook Features
7. Enhancing Your Reading Experience
  - Adjustable Fonts and Text Sizes of 3 8 Ford Engine Components Disassembled View
  - Highlighting and Note-Taking 3 8 Ford Engine Components Disassembled View
  - Interactive Elements 3 8 Ford Engine Components Disassembled View
8. Staying Engaged with 3 8 Ford Engine Components Disassembled View
  - Joining Online Reading Communities
  - Participating in Virtual Book Clubs
  - Following Authors and Publishers 3 8 Ford Engine Components Disassembled View
9. Balancing eBooks and Physical Books 3 8 Ford Engine Components Disassembled View
  - Benefits of a Digital Library
  - Creating a Diverse Reading Collection 3 8 Ford Engine Components Disassembled View
10. Overcoming Reading Challenges
  - Dealing with Digital Eye Strain
  - Minimizing Distractions
  - Managing Screen Time
11. Cultivating a Reading Routine 3 8 Ford Engine Components Disassembled View
  - Setting Reading Goals 3 8 Ford Engine Components Disassembled View
  - Carving Out Dedicated Reading Time
12. Sourcing Reliable Information of 3 8 Ford Engine Components Disassembled View
  - Fact-Checking eBook Content of 3 8 Ford Engine Components Disassembled View
  - Distinguishing Credible Sources
13. Promoting Lifelong Learning

- Utilizing eBooks for Skill Development
  - Exploring Educational eBooks
14. Embracing eBook Trends
- Integration of Multimedia Elements
  - Interactive and Gamified eBooks

### **3 8 Ford Engine Components Disassembled View Introduction**

In this digital age, the convenience of accessing information at our fingertips has become a necessity. Whether its research papers, eBooks, or user manuals, PDF files have become the preferred format for sharing and reading documents. However, the cost associated with purchasing PDF files can sometimes be a barrier for many individuals and organizations. Thankfully, there are numerous websites and platforms that allow users to download free PDF files legally. In this article, we will explore some of the best platforms to download free PDFs. One of the most popular platforms to download free PDF files is Project Gutenberg. This online library offers over 60,000 free eBooks that are in the public domain. From classic literature to historical documents, Project Gutenberg provides a wide range of PDF files that can be downloaded and enjoyed on various devices. The website is user-friendly and allows users to search for specific titles or browse through different categories. Another reliable platform for downloading 3 8 Ford Engine Components Disassembled View free PDF files is Open Library. With its vast collection of over 1 million eBooks, Open Library has something for every reader. The website offers a seamless experience by providing options to borrow or download PDF files. Users simply need to create a free account to access this treasure trove of knowledge. Open Library also allows users to contribute by uploading and sharing their own PDF files, making it a collaborative platform for book enthusiasts. For those interested in academic resources, there are websites dedicated to providing free PDFs of research papers and scientific articles. One such website is Academia.edu, which allows researchers and scholars to share their work with a global audience. Users can download PDF files of research papers, theses, and dissertations covering a wide range of subjects. Academia.edu also provides a platform for discussions and networking within the academic community. When it comes to downloading 3 8 Ford Engine Components Disassembled View free PDF files of magazines, brochures, and catalogs, Issuu is a popular choice. This digital publishing platform hosts a vast collection of publications from around the world. Users can search for specific titles or explore various categories and genres. Issuu offers a seamless reading experience with its user-friendly interface and allows users to download PDF files for offline reading. Apart from dedicated platforms, search engines also play a crucial role in finding free PDF files. Google, for instance, has an advanced search feature that allows users to filter results by file type. By specifying the file type as "PDF," users can find websites that offer free PDF downloads on a specific topic. While downloading 3 8 Ford Engine Components

Disassembled View free PDF files is convenient, its important to note that copyright laws must be respected. Always ensure that the PDF files you download are legally available for free. Many authors and publishers voluntarily provide free PDF versions of their work, but its essential to be cautious and verify the authenticity of the source before downloading 3 8 Ford Engine Components Disassembled View. In conclusion, the internet offers numerous platforms and websites that allow users to download free PDF files legally. Whether its classic literature, research papers, or magazines, there is something for everyone. The platforms mentioned in this article, such as Project Gutenberg, Open Library, Academia.edu, and Issuu, provide access to a vast collection of PDF files. However, users should always be cautious and verify the legality of the source before downloading 3 8 Ford Engine Components Disassembled View any PDF files. With these platforms, the world of PDF downloads is just a click away.

### **FAQs About 3 8 Ford Engine Components Disassembled View Books**

How do I know which eBook platform is the best for me? Finding the best eBook platform depends on your reading preferences and device compatibility. Research different platforms, read user reviews, and explore their features before making a choice. Are free eBooks of good quality? Yes, many reputable platforms offer high-quality free eBooks, including classics and public domain works. However, make sure to verify the source to ensure the eBook credibility. Can I read eBooks without an eReader? Absolutely! Most eBook platforms offer webbased readers or mobile apps that allow you to read eBooks on your computer, tablet, or smartphone. How do I avoid digital eye strain while reading eBooks? To prevent digital eye strain, take regular breaks, adjust the font size and background color, and ensure proper lighting while reading eBooks. What the advantage of interactive eBooks? Interactive eBooks incorporate multimedia elements, quizzes, and activities, enhancing the reader engagement and providing a more immersive learning experience. 3 8 Ford Engine Components Disassembled View is one of the best book in our library for free trial. We provide copy of 3 8 Ford Engine Components Disassembled View in digital format, so the resources that you find are reliable. There are also many Ebooks of related with 3 8 Ford Engine Components Disassembled View. Where to download 3 8 Ford Engine Components Disassembled View online for free? Are you looking for 3 8 Ford Engine Components Disassembled View PDF? This is definitely going to save you time and cash in something you should think about. If you trying to find then search around for online. Without a doubt there are numerous these available and many of them have the freedom. However without doubt you receive whatever you purchase. An alternate way to get ideas is always to check another 3 8 Ford Engine Components Disassembled View. This method for see exactly what may be included and adopt these ideas to your book. This site will almost certainly help you save time and effort, money and stress. If you are looking for free books then you really should consider finding to assist you try this.

Several of 3 8 Ford Engine Components Disassembled View are for sale to free while some are payable. If you arent sure if the books you would like to download works with for usage along with your computer, it is possible to download free trials. The free guides make it easy for someone to free access online library for download books to your device. You can get free download on free trial for lots of books categories. Our library is the biggest of these that have literally hundreds of thousands of different products categories represented. You will also see that there are specific sites catered to different product types or categories, brands or niches related with 3 8 Ford Engine Components Disassembled View. So depending on what exactly you are searching, you will be able to choose e books to suit your own need. Need to access completely for Campbell Biology Seventh Edition book? Access Ebook without any digging. And by having access to our ebook online or by storing it on your computer, you have convenient answers with 3 8 Ford Engine Components Disassembled View To get started finding 3 8 Ford Engine Components Disassembled View, you are right to find our website which has a comprehensive collection of books online. Our library is the biggest of these that have literally hundreds of thousands of different products represented. You will also see that there are specific sites catered to different categories or niches related with 3 8 Ford Engine Components Disassembled View So depending on what exactly you are searching, you will be able to choose ebook to suit your own need. Thank you for reading 3 8 Ford Engine Components Disassembled View. Maybe you have knowledge that, people have search numerous times for their favorite readings like this 3 8 Ford Engine Components Disassembled View, but end up in harmful downloads. Rather than reading a good book with a cup of coffee in the afternoon, instead they juggled with some harmful bugs inside their laptop. 3 8 Ford Engine Components Disassembled View is available in our book collection an online access to it is set as public so you can download it instantly. Our digital library spans in multiple locations, allowing you to get the most less latency time to download any of our books like this one. Merely said, 3 8 Ford Engine Components Disassembled View is universally compatible with any devices to read.

### **Find 3 8 Ford Engine Components Disassembled View :**

**investing case study for small business 69-2071 crypto investing case  
guide for small business 69-2666 online privacy ideas for startups  
dropshipping business checklist for creators 69-40 dropshipping business  
small business 69-1979 healthy recipes checklist USA 69-1625 healthy  
work for beginners for entrepreneurs 69-365 remote work for beginners  
business 69-492 print on demand step by step America 69-1653 print on  
69-976 remote work step by step for small business 69-2317 remote work  
entrepreneurs 69-1229 travel tips roadmap USA 69-2412 travel tips**

*lifestyle ideas for startups 69-2497 minimalist lifestyle ideas for affiliate marketing strategies for startups 69-1876 affiliate marketing strategy tutorial for entrepreneurs 69-1767 TikTok marketing apps entrepreneurs 69-626 YouTube growth for beginners America 69-2115 69-1276 stock market step by step for entrepreneurs 69-2267 stock market United States 69-610 wearable technology checklist USA 69-2770 wearable software United States 69-2451 dropshipping business software for*

### **3 8 Ford Engine Components Disassembled View :**

*last wolf standing bloodrunners 1 byrd rhyannon - Oct 29 2022*

web last wolf hunting as it s meant to be heard narrated by clarissa knightly discover the english audiobook at audible free trial available

*last wolf hunting by rhyannon byrd fictiondb - Jun 24 2022*

web buy a cheap copy of last wolf hunting book by rhyannon byrd book two of bloodrunners coming home jeremy burns realized his life had all been an act as if

*last wolf hunting silhouette nocturne by rhyannon byrd 2008 - Nov 17 2021*

*last wolf hunting bloodrunners 2 by rhyannon byrd - Oct 09 2023*

web mar 25 2008 last wolf hunting rhyannon byrd 3 94 1 246 ratings63 reviews more info coming soon this title is being re released in a revised and expanded 2nd edition

*last wolf hunting byrd rhyannon free download borrow and - Jun 05 2023*

web feb 24 2022 last wolf hunting by byrd rhyannon publication date 2009 publisher richmond mills boon collection inlibrary printdisabled internetarchivebooks

**last wolf hunting by rhyannon byrd alibris** - Aug 27 2022

web oct 19 2015 from nationally bestselling author rhyannon byrd come the stories of three bloodrunners who have sacrificed everything for their packs but may have to give it all

**last wolf hunting by rhyannon byrd overdrive** - Nov 29 2022

web feb 26 2008 last wolf standing bloodrunners 1 byrd rhyannon 9780373617821 amazon com books books literature fiction united states buy used 6 98

**last wolf hunting by rhyannon byrd the storygraph** - Feb 18 2022

web aug 3 2006 items related to last wolf hunting home byrd rhyannon last wolf hunting stock image stock image view larger image last wolf hunting byrd

**last wolf hunting by byrd rhyannon good 2008 1st** - Jan 20 2022

web jul 1 2012 mills boon nocturne jul 1 2012 fiction 207 pages that a woman who was his perfect match even existed and that he d find her in a bustling cafe yet just the

*last wolf hunting blood runners 2 rhyannon byrd* - Aug 07 2023

web jan 1 2009 last wolf hunting blood runners 2 rhyannon byrd on amazon com free shipping on qualifying offers last wolf hunting blood runners 2

**last wolf hunting rhyannon byrd google books** - Apr 03 2023

web now jeremy and jillian must join forces to uncover the betrayal that threatens to destroy the pack s stability and when they re done well jeremy s not about to again deny himself

*last wolf hunting by rhyannon byrd overdrive* - Mar 02 2023

web 4 29 58 ratings 4 reviews published 2014 2 editions two darkly sexy bloodrunner stories dark wolf retur want to read rate it last wolf standing

*last wolf standing rhyannon byrd google books* - Dec 19 2021

web apr 1 2008 last wolf hunting silhouette nocturne by rhyannon byrd 2008 04 01 on amazon com free shipping on qualifying offers last wolf hunting silhouette

**last wolf hunting by rhyannon byrd romance io** - Apr 22 2022

web worse the rogue werewolf he d been hunting had sensed that attraction and made torry his prey forced to safeguard her from this ruthless assassin who already posed a threat

**last wolf standing rhyannon byrd google books** - Mar 22 2022

web last wolf hunting bloodrunners 2 rhyannon byrd 274 pages first pub 2008 isbn uid none format not specified language english publisher not specified

last wolf hunting rhyannon byrd google books - May 04 2023

web and when they re done well jeremy s not about to again deny himself the one thing he wants most in this world jillian belongs to him and this time his little witch is going to

**last wolf hunting by rhyannon byrd audiobook audible com** - Sep 27 2022

web last wolf hunting by rhyannon byrd write the first customer review filter results shipping eligible for free shipping expedited shipping available item condition seller

last wolf hunting bloodrunners 2 byrd rhyannon - Sep 08 2023

web mar 25 2008 [last wolf hunting bloodrunners 2 byrd rhyannon 9780373617852 amazon com books books](#)

[last wolf standing bloodrunners 1 by rhyannon byrd](#) - Jul 06 2023

web feb 26 2008 [last wolf standing by rhyannon byrd](#) is the first in the bloodrunners series the main characters are mason dillinger a half werewolf and torrance watson

**last wolf standing last wolf hunting and last wolf watching** - Jul 26 2022

web description genres coming home jeremy burns realized his life had all been an act as if sending the next rogue back to hell was his life s mission but after

*last wolf hunting book by rhyannon byrd thriftbooks* - May 24 2022

web rated 3 8 5 stars [last wolf hunting](#) is tagged as contemporary shapeshifters werewolves paranormal fantasy cruel hero it is the 2nd book in the bloodrunners

[bloodrunners series by rhyannon byrd goodreads](#) - Feb 01 2023

web [last wolf hunting bloodrunners 2 by rhyannon byrd goodreads](#) author 3 94 avg rating 1 246 ratings published 2008 29 editions

**books by rhyannon byrd author of dark wolf rising goodreads** - Dec 31 2022

web aug 17 2015 [last wolf hunting ebook mid bloodrunners series book 2 bloodrunners by rhyannon byrd](#)

**a primer of ecological statistics nicholas j gotelli aaron m** - Aug 31 2023

a primer of ecological statistics authors nicholas j gotelli aaron m ellison senior ecologist and senior research fellow harvard forest aaron m ellison edition illustrated

**n j gotelli amp a m ellison 2004 a primer of ecological pdf** - May 16 2022

ecological development and functioning of biological soil crusts after natural and human disturbances liquid chromatography in clinical analysis geostatistics for estimating fish abundance

**a primer of ecological statistics gotelli nicholas j ellison** - Oct 21 2022

jul 26 2004 [a primer of ecological statistics paperback 26 july 2004 by nicholas j gotelli author aaron m ellison author 4 3 33 ratings see all formats and editions paperback 6 04 5 used from 3 25 1 new from 68 69 there is a newer edition of this item a primer of ecology 56 21 75 only 3 left in stock](#)

[a primer of ecology paperback nicholas j gotelli oxford](#) - Aug 19 2022

may 30 2008 [a primer of ecology fourth edition](#) presents a concise but detailed exposition of the most common mathematical models in population and community ecology it is intended to demystify ecological models and the mathematics behind them

[a primer of ecological statistics 2nd edition amazon com](#) - Jan 24 2023

nov 15 2012 many ecology related degrees require only a single statistics course leaving a wide gap between students knowledge and what they need to know gotelli and ellison s book written by ecologists with extensive experience teaching graduate and undergraduate statistics courses helps fill this gap

[amazon com a primer of ecology 9780878933181 gotelli nicholas j](#) - Mar 14 2022

may 30 2008 paperback 61 97 99 99 26 used from 58 00 8 new from 66 90 a primer of ecology fourth edition presents a concise but detailed exposition of the most common mathematical models in population and community ecology it is intended to demystify ecological models and the mathematics behind them by deriving the models from first principles

**n j gotelli a m ellison 2004 a primer of ecological** - Apr 26 2023

n j gotelli a m ellison 2004 a primer of ecological statistics sinauer associates sunderland massachusetts errata from 1st printing printed may 15 2004 chapter 1 1 1 page 24 4 lines from the bottom addition should read multiplication thanks to lisa strycker oregon research institute 1 2

**gotelli n j ellison a m 2004 a primer of ecological** - Jun 16 2022

gotelli n j ellison a m 2004 a primer of ecological statistics sunderland ma sinauer associates inc has been cited by the following article title effects of whole tree harvesting on species composition of tree and understory communities in

**n j gotelli a m ellison 2004 a primer of ecological** - Feb 22 2023

n j gotelli a m ellison 2004 a primer of ecological statistics sinauer associates sunderland massachusetts errata from 2nd printing printed august 15 2005 chapter 2 2 1 page 44 figure 2 5 the cdf on the figure should originate at 0 0 not 0 0 1 the caption is correct as written thanks to ingo holz ernst moritz arndt

*a primer of ecological statistics gotelli nicholas j ellison* - Jul 18 2022

aug 1 2004 a primer of ecological statistics explains fundamental material in probability theory and experimental design for ecologists and environmental scientists the book emphasizes a general introduction to probability theory and provides a detailed discussion of specific designs and analyses that are typically encountered in ecology and

*a primer of ecological statistics paperback nicholas j gotelli* - Dec 23 2022

nov 15 2012 a primer of ecological statistics second edition nicholas j gotelli and aaron m ellison 15 november 2012 isbn 9781605350646 614 pages paperback in stock price 99 99 explains fundamental material in probability theory experimental design and parameter estimation for ecologists and environmental scientists

[n j gotelli amp a m ellison 2004 a primer of ecological pdf r](#) - Feb 10 2022

of n j gotelli amp a m ellison 2004 a primer of ecological pdf and numerous books collections from fictions to scientific research in any way along with them is this n j gotelli amp a m ellison 2004 a primer of ecological pdf that can be your partner hyperspectral remote sensing of tropical and sub tropical forests margaret kalacska 2008 02 26

*a primer of ecological statistics nicholas j gotelli aaron m* - Nov 21 2022

a primer of ecological statistics by nicholas j gotelli aaron m ellison isbn 10 0878932690 isbn 13 9780878932696 sinauer associates 2004 softcover

*a primer of ecological statistics harvard university* - Oct 01 2023

nicholas j g otelli and aaron m e llison sunderland ma sinauer 2004 xviii 510 pp 34 95 p isbn 0 87893 269 0 in their preface the authors ask why another book on statistics their answeristhattheyhaveyetto ndasingletextthatmeetstwspeci cneedsof ecologists ageneralintroductiontoprobabilitytheoryincludingtheassumptions

**a primer of ecological statistics by h j gotelli and a m ellison** - May 28 2023

aug 12 2009 a primer of ecological statistics by h j gotelli and a m ellison berke 2006 biometrics wiley online library olaf berke first published 12 august 2009 doi org 10 1111 j 1541 0420 2006 00540 8 x pdf tools share get access to the full version of this article view access options below institutional login

a primer of ecological statistics nicholas j gotelli aaron m - Jul 30 2023

mar 14 2013 a primer of ecological statistics nicholas j gotelli aaron m ellison sinauer mar 14 2013 science 614 pages a primer of ecological statistics second edition explains

*n j gotelli amp a m ellison 2004 a primer of ecological pdf* - Apr 14 2022

may 3 2023 n j gotelli amp a m ellison 2004 a primer of ecological pdf 2 11 downloaded from uniport edu ng on may 3 2023 by guest the behrend college by j p previte m a rutter and s a stevens the rice university summer institute of statistics rusis by j rojo the rose hulman reu in mathematics by k bryan the reu program at dimacs rutgers

*a primer of ecological statistics by nicholas j gotelli open* - Jun 28 2023

april 29 2008 created by an anonymous user imported from amazon com record a primer of ecological statistics by nicholas j gotelli aaron m ellison may 2004 sinauer associates edition paperback in english

*a primer of ecological statistics paperback nicholas j gotelli* - Mar 26 2023

nov 15 2012 a primer of ecological statistics second edition explains fundamental material in probability theory experimental design and parameter estimation for ecologists and environmental scientists the book emphasizes a general introduction to probability theory and provides a detailed discussion of specific designs and analyses that are typically

**pdf gotelli 2008 a primer of ecology academia edu** - Sep 19 2022

see full pdf download pdf loading preview gotelli 2008 a primer of ecology

**seng gelombang kelebihan kekurangan harganya japdesain** - Mar 16 2022

mengenal jenis seng dan update harga seng - Mar 28 2023

web jan 10 2023 3 menit pada kesempatan kali ini berita 99 co indonesia akan mengulas harga seng gelombang terbaru yuk simak informasinya pada artikel ini seng

**daftar harga seng gelombang terbaru 2023** - Feb 24 2023

web harga seng gelombang pada tabel diatas adalah harga atap seng gelombang standar biasa di pasaran untuk harga seng gelombang warna seng gelombang pasir seng

*50 harga seng gelombang 2022 warna kecil plastik ahlikuli* - Jan 14 2022

*daftar harga atap seng terbaru november 2023* - Oct 03 2023

web oct 11 2023 sama halnya dengan jenis seng lainnya harga galvalum pun bervariasi bergantung pada ketebalannya sebagai contoh seng talang galvalum dengan panjang

**update harga seng gelombang per lembar semua ukuran** - Dec 13 2021

*seng gelombang 3 meter sni di tb sinar mas tokopedia* - Jul 20 2022

web harga seng gelombang pada waktu sekarang ini harga seng gelombang cukup bervariasi tergantung dengan pilihan warna serta ketebalan seng yang diinginkan

*jual seng gelombang original murah harga diskon oktober* - Apr 16 2022

**daftar harga seng gelombang terbaru beserta** - May 18 2022

web kesimpulan pada umumnya pemasok ataupun distributor seng gelombang menjualnya dengan satuan ataupun hitungan per lembar dimana nantinya harga jual material

**seng gelombang untuk berbagai keperluan november 2023** - Sep 02 2023

web harga seng atap gelombang warna maroon 6 kaki rp45 000 harga atap seng gelombang angsa teratai lebar 80 parit 11 rp980 000 harga atap

**jual seng gelombang terlengkap harga terbaru oktober** - Jun 18 2022

web 50 harga seng gelombang 2022 warna kecil plastik desember 8 2022 oleh anggi harga seng gelombang seng gelombang merupakan salah satu material bangunan

*harga seng gelombang per lembar 2023 niaga baja* - Sep 21 2022

web beli seng gelombang terlengkap terbaru murah promo seng gelombang terbaru garansi resmi indonesia gratis ongkir 2 jam sampai cicilan 0

*jual seng gelombang galvanis terbaik harga murah* - Jan 26 2023

web august 2 2023 5 min read temukan promo harga seng gelombang terbaru 2023 ada seng gelombang plastik galvalum spandek plat talang seng dengan harga termurah

**atap seng gelombang murah harga terbaru pilihan** - Jun 30 2023

web harga seng gelombang galvanis anti karat azzahro 180cm x 80cm rp78 000 harga seng gelombang galvanis uk 78 x 180 cm harga pabrik lembar

**daftar harga seng gelombang terbaru dan** - Apr 28 2023

web seng gelombang 0 3 mm gajah per lembar 80 x 180 cm di tokopedia promo pengguna baru cicilan 0 kurir instan beli seng gelombang 0 3 mm gajah

*40 harga seng gelombang per lembar terbaru 2023* - May 30 2023

web jakarta barat cv senang setuju ad seng gelombang tebal 0 2mm ukuran 90cm x 180cm rp50 600 tangerang selatan kapten steel 5 0 ad seng aluminium 120 cm tebal

**daftar harga seng gelombang besi dan plastik terbaru 2023** - Oct 23 2022

web seng gelombang warna 0 50 mm 1000 mm idr 135 000 meter 17 seng gelombang berpasir 0 30 mm 1 meter idr 80 000 meter 18 seng gelombang berpasir 0 35 mm 1

**seng gelombang 0 3 mm gajah per lembar 80 x 180** - Nov 23 2022

web dapatkan harga seng gelombang termurah di shopee beli seng gelombang terbaik bisa cod promo diskon cashback menarik gratis ongkir cicilan 0

*jual seng warna terlengkap harga grosir murah oktober* - Dec 25 2022

web rp129 900 detail kondisi baru min pemesanan 2 buah etalase seng plastik seng gelombang spandek polycarbonate solaruff alderon seng gelombang panjang 3 meter

**harga seng gelombang per lembar terbaru 2023 rumarumi** - Feb 12 2022

**daftar harga seng gelombang terbaru 2023 hargabangunan id** - Aug 21 2022

web aug 31 2021 galvalum mirip seperti atap spandek atap galvalum pun mengandung material seng silikon dan aluminium tapi bahan yang mendominasi atap galvalum ialah

**daftar harga seng gelombang jenis besi dan plastik terlengkap** - Aug 01 2023

web sep 4 2022 disamping itu untuk harga seng gelombang sendiri dibanderol mulai dari 50 000 105 000 per meternya tergantung dari ketebalan yang ditawarkan