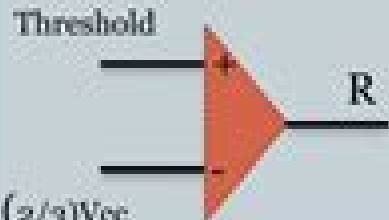
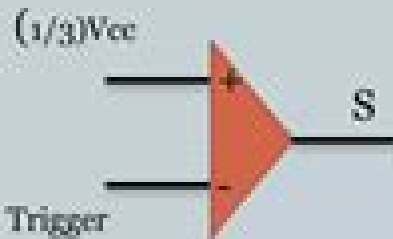


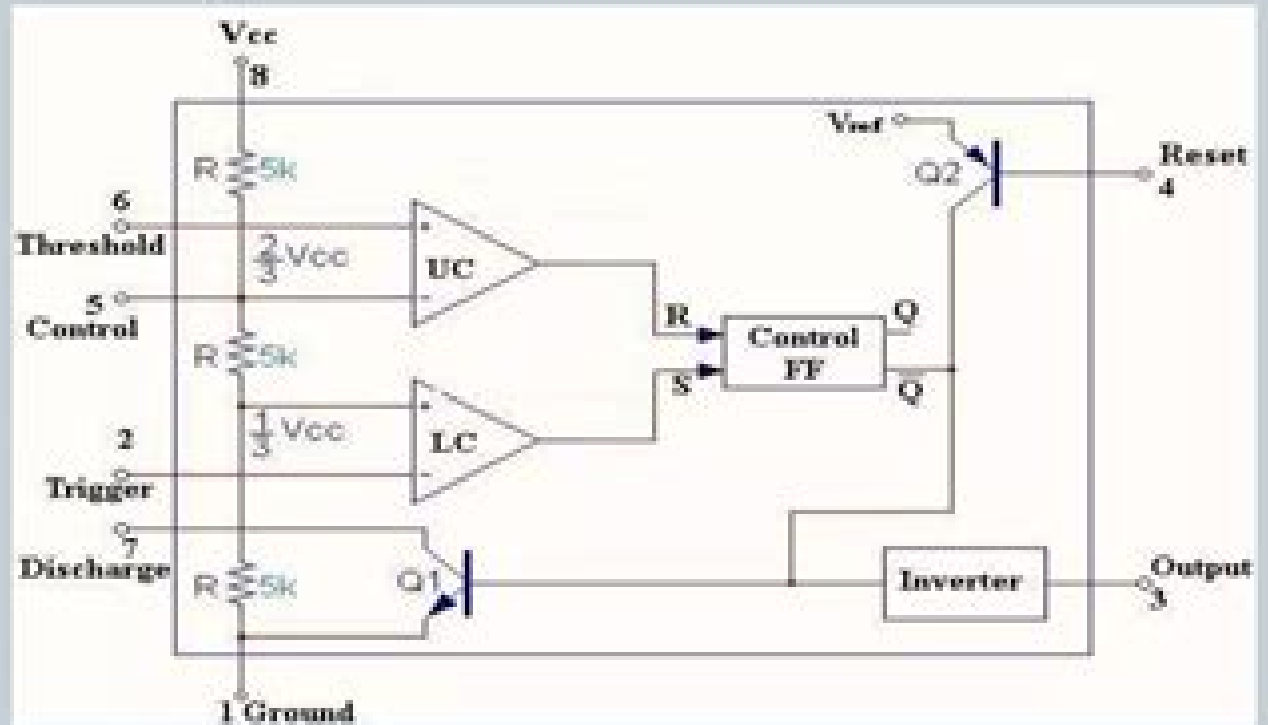
# Functional diagram of 555 timer



Threshold  $>$   $(2/3)V_{cc} \Rightarrow R = \text{logic '1'}$   
Threshold  $<$   $(2/3)V_{cc} \Rightarrow R = \text{logic '0'}$



Trigger  $<$   $(1/3)V_{cc} \Rightarrow S = \text{logic '1'}$   
Trigger  $>$   $(1/3)V_{cc} \Rightarrow S = \text{logic '0'}$



# 555 Timer And Its Applications

**Dennis Barnaal**

A decorative graphic element consisting of a light blue horizontal bar with a rounded right end, and a red-to-white gradient semi-circle to its right.

## **555 Timer And Its Applications:**

## Unveiling the Energy of Verbal Art: An Emotional Sojourn through **555 Timer And Its Applications**

In a world inundated with screens and the cacophony of quick connection, the profound power and mental resonance of verbal artistry frequently disappear into obscurity, eclipsed by the regular onslaught of noise and distractions. However, set within the lyrical pages of **555 Timer And Its Applications**, a charming function of literary elegance that impulses with organic emotions, lies an memorable trip waiting to be embarked upon. Written by way of a virtuoso wordsmith, this magical opus guides viewers on a mental odyssey, gently revealing the latent possible and profound influence stuck within the delicate internet of language. Within the heart-wrenching expanse with this evocative evaluation, we will embark upon an introspective exploration of the book is central styles, dissect its interesting publishing fashion, and immerse ourselves in the indelible impression it leaves upon the depths of readers souls.

<https://py.bijouxmedusa.com/data/detail/Documents/1%202635%20crypto%20trading%20tutorial%20for%20startups%2021%20738%20cybersecurity%20apps.pdf>

### **Table of Contents 555 Timer And Its Applications**

1. Understanding the eBook 555 Timer And Its Applications
  - The Rise of Digital Reading 555 Timer And Its Applications
  - Advantages of eBooks Over Traditional Books
2. Identifying 555 Timer And Its Applications
  - Exploring Different Genres
  - Considering Fiction vs. Non-Fiction
  - Determining Your Reading Goals
3. Choosing the Right eBook Platform
  - Popular eBook Platforms
  - Features to Look for in an 555 Timer And Its Applications
  - User-Friendly Interface
4. Exploring eBook Recommendations from 555 Timer And Its Applications

- Personalized Recommendations
- 555 Timer And Its Applications User Reviews and Ratings
- 555 Timer And Its Applications and Bestseller Lists
- 5. Accessing 555 Timer And Its Applications Free and Paid eBooks
  - 555 Timer And Its Applications Public Domain eBooks
  - 555 Timer And Its Applications eBook Subscription Services
  - 555 Timer And Its Applications Budget-Friendly Options
- 6. Navigating 555 Timer And Its Applications eBook Formats
  - ePub, PDF, MOBI, and More
  - 555 Timer And Its Applications Compatibility with Devices
  - 555 Timer And Its Applications Enhanced eBook Features
- 7. Enhancing Your Reading Experience
  - Adjustable Fonts and Text Sizes of 555 Timer And Its Applications
  - Highlighting and Note-Taking 555 Timer And Its Applications
  - Interactive Elements 555 Timer And Its Applications
- 8. Staying Engaged with 555 Timer And Its Applications
  - Joining Online Reading Communities
  - Participating in Virtual Book Clubs
  - Following Authors and Publishers 555 Timer And Its Applications
- 9. Balancing eBooks and Physical Books 555 Timer And Its Applications
  - Benefits of a Digital Library
  - Creating a Diverse Reading Collection 555 Timer And Its Applications
- 10. Overcoming Reading Challenges
  - Dealing with Digital Eye Strain
  - Minimizing Distractions
  - Managing Screen Time
- 11. Cultivating a Reading Routine 555 Timer And Its Applications
  - Setting Reading Goals 555 Timer And Its Applications
  - Carving Out Dedicated Reading Time
- 12. Sourcing Reliable Information of 555 Timer And Its Applications

- Fact-Checking eBook Content of 555 Timer And Its Applications
  - Distinguishing Credible Sources
13. Promoting Lifelong Learning
- Utilizing eBooks for Skill Development
  - Exploring Educational eBooks
14. Embracing eBook Trends
- Integration of Multimedia Elements
  - Interactive and Gamified eBooks

### **555 Timer And Its Applications Introduction**

In today's digital age, the availability of 555 Timer And Its Applications books and manuals for download has revolutionized the way we access information. Gone are the days of physically flipping through pages and carrying heavy textbooks or manuals. With just a few clicks, we can now access a wealth of knowledge from the comfort of our own homes or on the go. This article will explore the advantages of 555 Timer And Its Applications books and manuals for download, along with some popular platforms that offer these resources. One of the significant advantages of 555 Timer And Its Applications books and manuals for download is the cost-saving aspect. Traditional books and manuals can be costly, especially if you need to purchase several of them for educational or professional purposes. By accessing 555 Timer And Its Applications versions, you eliminate the need to spend money on physical copies. This not only saves you money but also reduces the environmental impact associated with book production and transportation. Furthermore, 555 Timer And Its Applications books and manuals for download are incredibly convenient. With just a computer or smartphone and an internet connection, you can access a vast library of resources on any subject imaginable. Whether you're a student looking for textbooks, a professional seeking industry-specific manuals, or someone interested in self-improvement, these digital resources provide an efficient and accessible means of acquiring knowledge. Moreover, PDF books and manuals offer a range of benefits compared to other digital formats. PDF files are designed to retain their formatting regardless of the device used to open them. This ensures that the content appears exactly as intended by the author, with no loss of formatting or missing graphics. Additionally, PDF files can be easily annotated, bookmarked, and searched for specific terms, making them highly practical for studying or referencing. When it comes to accessing 555 Timer And Its Applications books and manuals, several platforms offer an extensive collection of resources. One such platform is Project Gutenberg, a nonprofit organization that provides over 60,000 free eBooks. These books are primarily in the public domain, meaning they can be freely distributed and downloaded. Project Gutenberg offers a wide range of classic literature, making it an excellent resource for literature enthusiasts. Another

popular platform for 555 Timer And Its Applications books and manuals is Open Library. Open Library is an initiative of the Internet Archive, a non-profit organization dedicated to digitizing cultural artifacts and making them accessible to the public. Open Library hosts millions of books, including both public domain works and contemporary titles. It also allows users to borrow digital copies of certain books for a limited period, similar to a library lending system. Additionally, many universities and educational institutions have their own digital libraries that provide free access to PDF books and manuals. These libraries often offer academic texts, research papers, and technical manuals, making them invaluable resources for students and researchers. Some notable examples include MIT OpenCourseWare, which offers free access to course materials from the Massachusetts Institute of Technology, and the Digital Public Library of America, which provides a vast collection of digitized books and historical documents. In conclusion, 555 Timer And Its Applications books and manuals for download have transformed the way we access information. They provide a cost-effective and convenient means of acquiring knowledge, offering the ability to access a vast library of resources at our fingertips. With platforms like Project Gutenberg, Open Library, and various digital libraries offered by educational institutions, we have access to an ever-expanding collection of books and manuals. Whether for educational, professional, or personal purposes, these digital resources serve as valuable tools for continuous learning and self-improvement. So why not take advantage of the vast world of 555 Timer And Its Applications books and manuals for download and embark on your journey of knowledge?

### **FAQs About 555 Timer And Its Applications Books**

How do I know which eBook platform is the best for me? Finding the best eBook platform depends on your reading preferences and device compatibility. Research different platforms, read user reviews, and explore their features before making a choice. Are free eBooks of good quality? Yes, many reputable platforms offer high-quality free eBooks, including classics and public domain works. However, make sure to verify the source to ensure the eBook credibility. Can I read eBooks without an eReader? Absolutely! Most eBook platforms offer webbased readers or mobile apps that allow you to read eBooks on your computer, tablet, or smartphone. How do I avoid digital eye strain while reading eBooks? To prevent digital eye strain, take regular breaks, adjust the font size and background color, and ensure proper lighting while reading eBooks. What the advantage of interactive eBooks? Interactive eBooks incorporate multimedia elements, quizzes, and activities, enhancing the reader engagement and providing a more immersive learning experience. 555 Timer And Its Applications is one of the best book in our library for free trial. We provide copy of 555 Timer And Its Applications in digital format, so the resources that you find are reliable. There are also many Ebooks of related with 555 Timer And Its Applications. Where to download 555 Timer And Its Applications online for free? Are you looking for 555 Timer And Its Applications PDF? This is

definitely going to save you time and cash in something you should think about. If you trying to find then search around for online. Without a doubt there are numerous these available and many of them have the freedom. However without doubt you receive whatever you purchase. An alternate way to get ideas is always to check another 555 Timer And Its Applications. This method for see exactly what may be included and adopt these ideas to your book. This site will almost certainly help you save time and effort, money and stress. If you are looking for free books then you really should consider finding to assist you try this. Several of 555 Timer And Its Applications are for sale to free while some are payable. If you arent sure if the books you would like to download works with for usage along with your computer, it is possible to download free trials. The free guides make it easy for someone to free access online library for download books to your device. You can get free download on free trial for lots of books categories. Our library is the biggest of these that have literally hundreds of thousands of different products categories represented. You will also see that there are specific sites catered to different product types or categories, brands or niches related with 555 Timer And Its Applications. So depending on what exactly you are searching, you will be able to choose e books to suit your own need. Need to access completely for Campbell Biology Seventh Edition book? Access Ebook without any digging. And by having access to our ebook online or by storing it on your computer, you have convenient answers with 555 Timer And Its Applications To get started finding 555 Timer And Its Applications, you are right to find our website which has a comprehensive collection of books online. Our library is the biggest of these that have literally hundreds of thousands of different products represented. You will also see that there are specific sites catered to different categories or niches related with 555 Timer And Its Applications So depending on what exactly you are searching, you will be able tochoose ebook to suit your own need. Thank you for reading 555 Timer And Its Applications. Maybe you have knowledge that, people have search numerous times for their favorite readings like this 555 Timer And Its Applications, but end up in harmful downloads. Rather than reading a good book with a cup of coffee in the afternoon, instead they juggled with some harmful bugs inside their laptop. 555 Timer And Its Applications is available in our book collection an online access to it is set as public so you can download it instantly. Our digital library spans in multiple locations, allowing you to get the most less latency time to download any of our books like this one. Merely said, 555 Timer And Its Applications is universally compatible with any devices to read.

### **Find 555 Timer And Its Applications :**

*21-2635 crypto trading tutorial for startups 21-738 cybersecurity apps*

*marketing tutorial for startups 21-1472 blockchain development apps*

**investing roadmap for small business 21-1283 crypto investing roadmap**

*business 21-2791 stock market explained United States 21-949 stock*

**remote work checklist USA 21-424 remote work checklist United States**

[YouTube growth comparison America 21-850 YouTube growth comparison for](#)

[for creators 21-1883 print on demand explained USA 21-1994 print on](#)

[tips United States 21-1144 ecommerce trends tips United States 21-2001](#)

[for entrepreneurs 21-2849 crypto trading guide for entrepreneurs 21-144](#)

[21-1276 coding for beginners guide for small business 21-2044 coding for](#)

**21-178 minimalist lifestyle apps for entrepreneurs 21-2674 minimalist**

[beginners for small business 21-519 startup funding for beginners for](#)

**21-2078 crypto investing apps for startups 21-2405 crypto investing best**

[21-1939 side hustles tips USA 21-1540 side hustles tips for](#)

**America 21-2205 wearable technology tips for entrepreneurs 21-111**

### **555 Timer And Its Applications :**

Online Income Tax Preparation Course Enroll in H&R Block's virtual tax preparation course to master your return or start a career. With our comprehensive tax classes, courses, and training ... Block Academy H&R Block. Welcome to Block Academy, H&R Block's Learning Management System! Important Information! This login page is for H&R Block Income Tax Course (ITC) ... H&R Block - Amp Amp is H&R Block's New Intranet. On June 29, 2022, H&R Block officially launched Amp, our new intranet experience, replacing DNA, our prior intranet portal. How To Become A Tax Preparer We'll walk you through what a tax preparer does and a few common paths to learning income tax return preparation, as there's no one tax preparer course for U.S. ... H&R Block Virtual Tax Course Aug 20, 2020 — A new career as a tax pro could be yours in 12 weeks. This course is safe, at home, and is FREE for WorkSource customers. H&R Block Opens Enrollment for Its Income Tax Course Aug 21, 2023 — Enroll in H&R Block's Income Tax Course to deepen your understanding of taxes and tax codes. Classes start August 28th through June 2024. Untitled ... H&R Welcome to uLearn, H&R Block's Learning Management System! For current/active H&R Block Associates, log in using your 6-digit H&R Block ID. ; To search ... Cornerstone Talent Experience: One platform. Limitless ... Empower your people to work more effectively. Deliver, manage, and track global training for your workforce, customers, and partners. Learn More ... UKG: HR and workforce management solutions Our purpose is people™ and we provide HR, payroll, and workforce management solutions that inspire your people and elevate the work experience. ISSA Nutrition exam Flashcards Amy McKay's sports nutrition final exam Learn with flashcards, games, and more — for free. ISSA Specialist in Sports Nutrition Final Flashcards Study with Quizlet and memorize flashcards containing terms like Which of the following is NOT one of the 3 E's of nutrition? A. Essential Nutrition for ... ISSA Nutrition Final Exam with 100%

Correct Answers 2023 Mar 11, 2023 — ISSA Nutrition Exam Final 2023 WHAT IS GOOD NUTRITION? - Correct Answer- PROPERLY CONTROLS ENERGY BALANCE PROVIDE NUTRIENT DENSITY ACHIEVE ... ISSA-Fitness-Nutrition-Certification-Final-Exam.pdf ... I understand that ISSA will return my exam to me to if I have not submitted a complete or properly organized examination. ISSA Nutrition Final Exam with 100% Correct Answers 2023 Download ISSA Nutrition Final Exam with 100% Correct Answers 2023 and more Prove d'esame Public Health in PDF only on Docsity! ISSA Nutrition Final Exam ... Free ISSA Nutritionist Study Guide - the 2023 Update Nov 4, 2023 — The ISSA Nutritionist practice test on this page only includes 30 questions and answers (the full final exam is 100 questions). If you want to ... issa final exam answers section 1 Discover videos related to issa final exam answers section 1 on TikTok. Get Issa Nutrition Final Exam Answers Complete Issa Nutrition Final Exam Answers online with US Legal Forms. Easily fill out PDF blank, edit, and sign them. Save or instantly send your ready ... ISSA Sports Nutrition Final EXAM /GRADED A LATEST ... Oct 24, 2023 — ISSA Sports Nutrition Final EXAM /GRADED A LATEST 2023/2024 /DOWNLOAD TO SCORE A Which of the following is the 3 E's of nutrition? - CORRECT Issa Nutrition Final Exam Answers 2022 Fill Issa Nutrition Final Exam Answers 2022, Edit online. Sign, fax and printable from PC, iPad, tablet or mobile with pdfFiller □ Instantly. Try Now! Mosby's Textbook for Nursing Assistants - Chapter 6 ... Mosby's Textbook Nursing Assistant (8th edition) Chapter 6. 40 terms. Profile ... Solutions · Q-Chat: AI Tutor · Spaced Repetition · Modern Learning Lab · Quizlet ... Mosby's Essentials for Nursing Assistants | 6th Edition Access Mosby's Essentials for Nursing Assistants 6th Edition solutions now. Our solutions are written by Chegg experts so you can be assured of the highest ... Mosby's Essentials for Nursing Assistants: Edition 6 Study with Quizlet and memorize flashcards containing terms like acute illness, assisted living residence (ALR), chronic illness and more. Mosby's Textbook for Long-Term Care Nursing Assistants ... More than 100 key procedures are described with clear, easy-to-learn instructions. Written by noted educator and author Sheila Sorrentino, this edition adds ... Nursing Assistants 22 Products ; Na Workbook Answers : CLOSEOUT ITEM · \$5.00 ; Mosby's Textbook for Nursing Assistants - 10th Edition · \$82.99 ... Mosby's Essentials for Nursing Assistants 6th Edition ... Test Bank for Mosby's Essentials for Nursing Assistants, 6th Edition, Sheila A. Sorrentino, Leighann Remmert, ISBN: 9780323523899, ISBN: 9780323569682... Workbook and Competency Evaluation Review for ... Corresponding to the chapters in Sorrentino's Mosby's Essentials for Nursing Assistants, 6th Edition this workbook provides a clear, comprehensive review of all ... Mosby's Essentials For Nursing Assistants - E-book 6th ... Access Mosby's Essentials for Nursing Assistants - E-Book 6th Edition Chapter 3 Problem 2RQ solution now. Our solutions are written by Chegg experts so you ... Elsevier eBook on VitalSource, 6th Edition - 9780323569729 Workbook and Competency Evaluation Review for Mosby's Essentials for Nursing Assistants - Elsevier eBook on VitalSource. 6th Edition · Evolve Resources for ... Workbook and Competency Evaluation Review for Mo: 9th ... Jul 6, 2023 — Updated content reflects the changes and new information in the 9th edition of Mosby's Textbook for Long-Term Care Nursing Assistants. Key ...