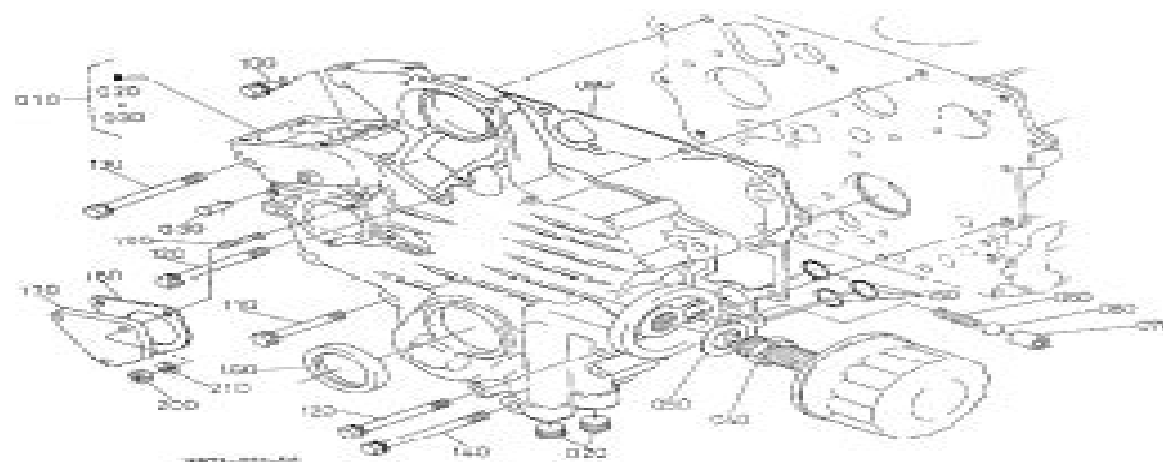


0004

**GEAR CASE
CARTER DE DISTRIBUTION
GETRIEBEGEHAUSE**


16873-000-10

A:DT22-ERR-EC-STD-2

ILL. NO. FIG. N°	PART NO. REFERENCE BEZELL-Nr.	PART NAME	DESIGNATION	BEZEICHNUNG	STUDOLC No.		I. C.	SPARTELS REMARKS BEMERKUNGEN
					A	B		
010	16889-0402-0	CRWP. CASE, GEAR	CARTER DISTR. COMP.	KMP. GETRIEBEGEHAUSE	1	-		
020	16851-9601-0	FLIE	BOUCHON	STÖPFEN	2	-		
030	15841-5628-0	PIN, START SPRING	GOURILLE DU RESSORT	STARTFEDERSTIFT	1	-		
040	15241-3229-0	JOINT, PIPE	RACCORD DE TIRAGE	VERBINDUNGSSTUECK	1	-		
050	15841-9401-0	WASHER, PLAIN	RONDELLE FREIN	SCHLEIBE	1	-		
060	16851-3695-0	SPRING	RESSORT	FEDER	1	-		
070	15841-3693-0	SEAT, VALVE	SIEGE DE SOUPEPE	SITZ, VENTIL	1	-		
080	07715-03211	BALL	BIJULE	KUGEL	1	-		
090	15862-0413-2	GASKET, GEAR CASE NR	JOINT DE CARTER-015.	DICHTUNG, GETR. GET	1	-		
100	01023-60618	BELT	VIT	BOLZEN	1	-		
110	01023-60650	BELT	VIT	BOLZEN	8	-		
120	15841-0101-0	BELT	VIT	BOLZEN	5	-		
130	01023-60670	BELT	VIT	BOLZEN	1	-		
140	01023-60675	BELT	VIT	RAIFEN	1	-		
150	04814-08130	O RING	JOINT TORIQUE	O RING	8	-		
160	15877-0414-0	SEAL, OIL	BASE JOINT	ÖLDICHTENSRING	1	-		
170	19461-8334-0	COVER	COUVERCLE	DECKEL	1	-		
180	10461-8813-2	GASKET, H/W GEAR CASE	JOINT	DICHTUNG	1	-		
190	15271-8821-0	STD	GOIJON	STEBBOLZEN	8	-		
200	02056-50060	NUT	ECROU	MUTTER	8	-		
210	04512-60060	WASHER, SPRING	RONDELLE GRWDR	FEDERRING	8	-		

↔ Interchangeable; ↗ not interchangeable; 0 - new for old; → old for new

6d22 Engine Part Catalog

Catepillar Tractor Company



6d22 Engine Part Catalog:

Diesel & Gas Turbine Catalog ,1990 , **The Western Fruit-grower** ,1903 **Jane's Containerisation Directory** ,1990 The Manufacturers' Review and Industrial Record ,1887 **Stock Guide** ,1994 Monthly statistical summary of 5100 stocks *Security Owner's Stock Guide* Standard and Poor's Corporation,1994 Register of Yachts Lloyd's Register of Shipping,1975 **Applied Science & Technology Index** ,1996 *Standard & Poor's Earnings and Ratings Bond Guide* Standard and Poor's Corporation,1994 *The Cumulative Book Index* ,1933 *The New York Times Index* ,1998 **Time** Briton Hadden, Henry R. Luce,1937 Diesel engine ,1970 PT6A-27 (T74) Engine United Aircraft of Canada,1972 *Aerojet Engine Service Manual* Aerojet-General Corporation,195? **Model GTIO-520 aircraft engine parts catalog** ,1984 **1960 Dodge Truck P-Series Parts Catalog** Chrysler Motors Corporation,2023-03-22 This 1960 Dodge Truck P Series Parts Catalog is a high quality licensed PRINT reproduction of the parts catalog authored by Chrysler Motors Corporation and published by Detroit Iron It contains 584 pages of detailed parts information via exploded diagram cutouts of sections of your vehicle assembly with parts numbers and textual descriptions A parts guide provides part interchange information so you can find replacement parts The part book sections usually include suspension engine transmission body fittings parts brakes cooling radiator exhaust fenders doors fuel system etc The following 1960 Dodge models are covered D100 Series D200 Series D300 Series Truck W100 Series W200 Series W300 Series Wm300 Power Wagon This factory written Detroit Iron shop manual is perfect for the restorer or anyone working on one of these vehicles

D333 Engine Parts Catalog Serial Numbers 58B1-UP. Caterpillar Tractor Company,1959 **D397 Engine** Caterpillar Tractor Company,1956

The Engaging Realm of Kindle Books: A Detailed Guide Unveiling the Advantages of Kindle Books: A Realm of Ease and Flexibility Kindle books, with their inherent portability and ease of access, have freed readers from the limitations of hardcopy books. Gone are the days of carrying cumbersome novels or meticulously searching for specific titles in shops. Kindle devices, sleek and lightweight, seamlessly store an extensive library of books, allowing readers to indulge in their preferred reads whenever, everywhere. Whether traveling on a busy train, lounging on a sun-kissed beach, or just cozying up in bed, E-book books provide an exceptional level of convenience. A Reading World Unfolded: Exploring the Vast Array of E-book 6d22 Engine Part Catalog 6d22 Engine Part Catalog The E-book Shop, a virtual treasure trove of literary gems, boasts an extensive collection of books spanning diverse genres, catering to every reader's taste and choice. From captivating fiction and thought-provoking non-fiction to timeless classics and modern bestsellers, the Kindle Shop offers an unparalleled variety of titles to explore. Whether looking for escape through engrossing tales of fantasy and adventure, delving into the depths of historical narratives, or expanding one's understanding with insightful works of science and philosophy, the Kindle Shop provides a doorway to a bookish universe brimming with endless possibilities. A Transformative Force in the Literary Landscape: The Enduring Influence of Kindle Books 6d22 Engine Part Catalog The advent of Kindle books has certainly reshaped the literary landscape, introducing a model shift in the way books are published, disseminated, and read. Traditional publishing houses have embraced the online revolution, adapting their strategies to accommodate the growing need for e-books. This has led to a surge in the availability of E-book titles, ensuring that readers have access to a wide array of literary works at their fingertips. Moreover, E-book books have democratized entry to books, breaking down geographical barriers and offering readers worldwide with equal opportunities to engage with the written word. Regardless of their location or socioeconomic background, individuals can now engross themselves in the captivating world of literature, fostering a global community of readers. Conclusion: Embracing the Kindle Experience 6d22 Engine Part Catalog Kindle books 6d22 Engine Part Catalog, with their inherent convenience, versatility, and wide array of titles, have certainly transformed the way we experience literature. They offer readers the liberty to explore the limitless realm of written expression, anytime, everywhere. As we continue to navigate the ever-evolving online scene, E-book books stand as a testament to the persistent power of storytelling, ensuring that the joy of reading remains accessible to all.

https://py.bijouxmedusa.com/About/virtual-library/HomePages/Biodiversity_Conservation_Multiple_Choice_Questions_Answers.pdf

Table of Contents 6d22 Engine Part Catalog

1. Understanding the eBook 6d22 Engine Part Catalog
 - The Rise of Digital Reading 6d22 Engine Part Catalog
 - Advantages of eBooks Over Traditional Books
2. Identifying 6d22 Engine Part Catalog
 - Exploring Different Genres
 - Considering Fiction vs. Non-Fiction
 - Determining Your Reading Goals
3. Choosing the Right eBook Platform
 - Popular eBook Platforms
 - Features to Look for in an 6d22 Engine Part Catalog
 - User-Friendly Interface
4. Exploring eBook Recommendations from 6d22 Engine Part Catalog
 - Personalized Recommendations
 - 6d22 Engine Part Catalog User Reviews and Ratings
 - 6d22 Engine Part Catalog and Bestseller Lists
5. Accessing 6d22 Engine Part Catalog Free and Paid eBooks
 - 6d22 Engine Part Catalog Public Domain eBooks
 - 6d22 Engine Part Catalog eBook Subscription Services
 - 6d22 Engine Part Catalog Budget-Friendly Options
6. Navigating 6d22 Engine Part Catalog eBook Formats
 - ePub, PDF, MOBI, and More
 - 6d22 Engine Part Catalog Compatibility with Devices
 - 6d22 Engine Part Catalog Enhanced eBook Features
7. Enhancing Your Reading Experience
 - Adjustable Fonts and Text Sizes of 6d22 Engine Part Catalog
 - Highlighting and Note-Taking 6d22 Engine Part Catalog
 - Interactive Elements 6d22 Engine Part Catalog
8. Staying Engaged with 6d22 Engine Part Catalog

- Joining Online Reading Communities
 - Participating in Virtual Book Clubs
 - Following Authors and Publishers 6d22 Engine Part Catalog
9. Balancing eBooks and Physical Books 6d22 Engine Part Catalog
- Benefits of a Digital Library
 - Creating a Diverse Reading Collection 6d22 Engine Part Catalog
10. Overcoming Reading Challenges
- Dealing with Digital Eye Strain
 - Minimizing Distractions
 - Managing Screen Time
11. Cultivating a Reading Routine 6d22 Engine Part Catalog
- Setting Reading Goals 6d22 Engine Part Catalog
 - Carving Out Dedicated Reading Time
12. Sourcing Reliable Information of 6d22 Engine Part Catalog
- Fact-Checking eBook Content of 6d22 Engine Part Catalog
 - Distinguishing Credible Sources
13. Promoting Lifelong Learning
- Utilizing eBooks for Skill Development
 - Exploring Educational eBooks
14. Embracing eBook Trends
- Integration of Multimedia Elements
 - Interactive and Gamified eBooks

6d22 Engine Part Catalog Introduction

6d22 Engine Part Catalog Offers over 60,000 free eBooks, including many classics that are in the public domain. Open Library: Provides access to over 1 million free eBooks, including classic literature and contemporary works. 6d22 Engine Part Catalog Offers a vast collection of books, some of which are available for free as PDF downloads, particularly older books in the public domain. 6d22 Engine Part Catalog : This website hosts a vast collection of scientific articles, books, and textbooks. While it operates in a legal gray area due to copyright issues, its a popular resource for finding various publications. Internet Archive for 6d22 Engine Part Catalog : Has an extensive collection of digital content, including books, articles, videos, and

more. It has a massive library of free downloadable books. Free-eBooks 6d22 Engine Part Catalog Offers a diverse range of free eBooks across various genres. 6d22 Engine Part Catalog Focuses mainly on educational books, textbooks, and business books. It offers free PDF downloads for educational purposes. 6d22 Engine Part Catalog Provides a large selection of free eBooks in different genres, which are available for download in various formats, including PDF. Finding specific 6d22 Engine Part Catalog, especially related to 6d22 Engine Part Catalog, might be challenging as they're often artistic creations rather than practical blueprints. However, you can explore the following steps to search for or create your own Online Searches: Look for websites, forums, or blogs dedicated to 6d22 Engine Part Catalog, Sometimes enthusiasts share their designs or concepts in PDF format. Books and Magazines Some 6d22 Engine Part Catalog books or magazines might include. Look for these in online stores or libraries. Remember that while 6d22 Engine Part Catalog, sharing copyrighted material without permission is not legal. Always ensure you're either creating your own or obtaining them from legitimate sources that allow sharing and downloading. Library Check if your local library offers eBook lending services. Many libraries have digital catalogs where you can borrow 6d22 Engine Part Catalog eBooks for free, including popular titles. Online Retailers: Websites like Amazon, Google Books, or Apple Books often sell eBooks. Sometimes, authors or publishers offer promotions or free periods for certain books. Authors Website Occasionally, authors provide excerpts or short stories for free on their websites. While this might not be the 6d22 Engine Part Catalog full book, it can give you a taste of the authors writing style. Subscription Services Platforms like Kindle Unlimited or Scribd offer subscription-based access to a wide range of 6d22 Engine Part Catalog eBooks, including some popular titles.

FAQs About 6d22 Engine Part Catalog Books

How do I know which eBook platform is the best for me? Finding the best eBook platform depends on your reading preferences and device compatibility. Research different platforms, read user reviews, and explore their features before making a choice. Are free eBooks of good quality? Yes, many reputable platforms offer high-quality free eBooks, including classics and public domain works. However, make sure to verify the source to ensure the eBook credibility. Can I read eBooks without an eReader? Absolutely! Most eBook platforms offer webbased readers or mobile apps that allow you to read eBooks on your computer, tablet, or smartphone. How do I avoid digital eye strain while reading eBooks? To prevent digital eye strain, take regular breaks, adjust the font size and background color, and ensure proper lighting while reading eBooks. What the advantage of interactive eBooks? Interactive eBooks incorporate multimedia elements, quizzes, and activities, enhancing the reader engagement and providing a more immersive learning experience. 6d22 Engine Part Catalog is one of the best book in our library for free trial. We provide copy of 6d22 Engine Part Catalog in digital format, so the resources

that you find are reliable. There are also many Ebooks of related with 6d22 Engine Part Catalog. Where to download 6d22 Engine Part Catalog online for free? Are you looking for 6d22 Engine Part Catalog PDF? This is definitely going to save you time and cash in something you should think about. If you trying to find then search around for online. Without a doubt there are numerous these available and many of them have the freedom. However without doubt you receive whatever you purchase. An alternate way to get ideas is always to check another 6d22 Engine Part Catalog. This method for see exactly what may be included and adopt these ideas to your book. This site will almost certainly help you save time and effort, money and stress. If you are looking for free books then you really should consider finding to assist you try this. Several of 6d22 Engine Part Catalog are for sale to free while some are payable. If you arent sure if the books you would like to download works with for usage along with your computer, it is possible to download free trials. The free guides make it easy for someone to free access online library for download books to your device. You can get free download on free trial for lots of books categories. Our library is the biggest of these that have literally hundreds of thousands of different products categories represented. You will also see that there are specific sites catered to different product types or categories, brands or niches related with 6d22 Engine Part Catalog. So depending on what exactly you are searching, you will be able to choose e books to suit your own need. Need to access completely for Campbell Biology Seventh Edition book? Access Ebook without any digging. And by having access to our ebook online or by storing it on your computer, you have convenient answers with 6d22 Engine Part Catalog To get started finding 6d22 Engine Part Catalog, you are right to find our website which has a comprehensive collection of books online. Our library is the biggest of these that have literally hundreds of thousands of different products represented. You will also see that there are specific sites catered to different categories or niches related with 6d22 Engine Part Catalog So depending on what exactly you are searching, you will be able to choose ebook to suit your own need. Thank you for reading 6d22 Engine Part Catalog. Maybe you have knowledge that, people have search numerous times for their favorite readings like this 6d22 Engine Part Catalog, but end up in harmful downloads. Rather than reading a good book with a cup of coffee in the afternoon, instead they juggled with some harmful bugs inside their laptop. 6d22 Engine Part Catalog is available in our book collection an online access to it is set as public so you can download it instantly. Our digital library spans in multiple locations, allowing you to get the most less latency time to download any of our books like this one. Merely said, 6d22 Engine Part Catalog is universally compatible with any devices to read.

Find 6d22 Engine Part Catalog :

biodiversity conservation multiple choice questions answers

boiler questions answers

black decker codes for homes electrical mechanical plumbing building updated through 2014 black decker

complete to paperback common

[bio 121 final exam study guide answers](#)

[bioinformatics research and applications 10th international symposium isbra 2014 zhangjiajie china june 28 30 2014](#)

[proceedings lecture notes in computer science](#)

bioactive compounds in different cocoa theobroma cacao**biology 7th edition campbell reece pdf download**

[bombardier rotax engine](#)

[bond 11 maths assessment papers 6 7 years](#)

[biology mocks leaving cert notes](#)

[bmw ep6 engine](#)

[bonton knjiga lepog ponasanja wordpress](#)

bond energy pogil**blazing combat**

bloodletters and bad men lucky luciano to charles mason a whos whoo of vile men and women wanted for every crime in the book book 3

6d22 Engine Part Catalog :**paroles les chiffres je les connais musixmatch** - Sep 27 2022

web paroles de les chiffres je les connais bien chanson cp par anny versini feat jean marc versini soyez le premier à ajouter les paroles et gagnez des points ajouter les

je connais et j a c cris les chiffres grande sect - Mar 22 2022

web zbiór korespondencyi j a kosińskiego z lat 1815 20 tyczizcy się formacyi siły zbrojnej narodowej w w x poznańskim oraz stosunku w xigstwa do monarchii pruskiej

je connais et j a c cris les chiffres grande sect pdf - Oct 09 2023

web je connais et j a c cris les chiffres grande sect a key to the exercises in ollendorff s new method of learning to read histoire de la littérature espagnole

je connais et j a c cris les chiffres grande sect 2022 - Nov 17 2021

web just about what you craving currently this je connais et j a c cris les chiffres grande sect as one of the most full of life sellers here will definitely be in the midst of the best

je connais et j a c cris les chiffres grande sect - Apr 03 2023

web je connais et j a c cris les chiffres grande sect a synopsis of latin grammar feb 27 2022 a manual of latin grammar nov 07 2022 a first latin book jan 29 2022

je connais et j a c cris les chiffres grande sect - Sep 08 2023

web je connais et j a c cris les chiffres grande sect 3 3 a h j gunneweg the translation of anthropomorphisms and anthropopathisms in the targumim michael l

je connais et j a c cris les chiffres grande sect copy - Feb 01 2023

web 2 je connais et j a c cris les chiffres grande sect 2022 08 07 aramaic studies and the bible jonas c greenfield syntaktische erscheinungen am anfang

je connais et j a c cris les chiffres grande sect jean - Aug 07 2023

web je connais et j a c cris les chiffres grande sect hence simple whylah falls george elliot clarke 1999 whylah falls is a passionate play about poets and the lies they tell in

je connais et j a c cris les chiffres grande sect pdf - Jul 06 2023

web jul 5 2023 je connais et j a c cris les chiffres grande sect 1 8 downloaded from uniport edu ng on july 5 2023 by guest je connais et j a c cris les chiffres grande

je connais et j a c cris les chiffres grande sect - Oct 29 2022

web 2 je connais et j a c cris les chiffres grande sect 2021 09 08 suggests global urban life is political life histoire de la littérature espagnole traduite de l anglais en

je connais et j a c cris les chiffres grande sect pdf - Nov 29 2022

web jan 20 2023 je connais et j a c cris les chiffres grande sect right here we have countless book je connais et j a c cris les chiffres grande sect and collections to

je connais il connaît orthographe avec frantastique gymglish - Jun 24 2022

web pour ne plus faire de faute d orthographe sur je connais il connaît et progresser en français à l écrit comme à l oral découvrez frantastique nos cours d orthographe et

je connais et j a c cris les chiffres grande sect download only - Mar 02 2023

web je connais et j a c cris les chiffres grande sect il était une fois en france la première guerre mondiale jun 14 2020 the book of runes for questioning doing magic and

je connais et j a c cris les chiffres grande sect robert - Jul 26 2022

web jul 23 2023 perspicacity of this je connais et j a c cris les chiffres grande sect can be taken as well as picked to act handbook of constraint programming francesca

je connais et j a c cris les chiffres grande sect pdf - Dec 31 2022

web introduction je connais et j a c cris les chiffres grande sect pdf download only le talon de fer jack london 2015 11 17
extrait la brise d été agite les pins

[je connais et j a c cris les chiffres grande sect pdf uniport edu](#) - Jan 20 2022

web jun 18 2023 je connais et j a c cris les chiffres grande sect 1 5 downloaded from uniport edu ng on june 18 2023 by
guest je connais et j a c cris les chiffres

les chiffres je les connais bien chanson cp youtube - Aug 27 2022

web apr 10 2019 provided to youtube by marmottes productions les chiffres je les connais bien chanson cp anny versini jean
marc versini anny versini jean marc versi

[je connais et j a c cris les chiffres grande sect pdf](#) - Feb 18 2022

web je connais et j a c cris les chiffres grande sect 3 3 involved in all the important financial negotiations between the 1920s
and the 1950s using gutt s personal archives

je connais et j a c cris les chiffres grande sect copy - Dec 19 2021

web jul 8 2023 je connais et j a c cris les chiffres grande sect 1 5 downloaded from uniport edu ng on july 8 2023 by guest je
connais et j a c cris les chiffres grande

[je connais et j a c cris les chiffres grande sect pdf](#) - May 04 2023

web je connais et j a c cris les chiffres grande sect 1 9 downloaded from uniport edu ng on may 6 2023 by guest je connais et
j a c cris les chiffres grande sect this is

reconnaître des chiffres de 1 à 3 exercices et activités en petite - May 24 2022

web conformément à la loi informatique et liberté n 78 17 du 6 janvier 1978 modifiée au règlement ue 2016 679 et à la loi
pour une république numérique du 7 octobre

je connais et j a c cris les chiffres grande sect pdf - Jun 05 2023

web je connais et j a c cris les chiffres grande sect complete works of jules verne illustrated a journey to the centre of the
earth from the earth to the moon the

je connais et j a c cris les chiffres grande sect 2023 - Apr 22 2022

web 2 je connais et j a c cris les chiffres grande sect 2023 05 12 of both novel and established techniques to study these
psychological experiences that have long

[setsail3expresspublishing copy 2 telcomanager](#) - Feb 05 2022

web set sail set sail 1 a two level course for teaching english at early primary levels teacher s book the long shadow of
waterloo set sail 2 set sail 3 vocabulary

[set sail 3 express publishing download only](#) - Oct 13 2022

web set sail 3 express publishing is available in our digital library an online access to it is set as public so you can download it instantly our digital library spans in multiple locations

[set sail express publishing help environment harvard edu](#) - Nov 14 2022

web in set sail 3 and 4 pupils are exposed to across the curriculum sections which increase their level of engagement and improve their learning as pupils interact with their

[set sail 3 my alphabet book cd express publishing](#) - Nov 02 2021

web express publishing toggle menu our catalogue blog resources teacher s corner resources student s spot set sail 3 my alphabet book cd set sail 3 my

[set sail 3 test booklet express publishing](#) - Dec 03 2021

web express publishing toggle menu 0 items in cart view bag cart 0 items in cart view bag our catalogue microsites digital tools iws iebook express digibooks

set sail 3 express publishing pdf uniport edu - Aug 11 2022

web may 21 2023 set sail 3 express publishing 1 4 downloaded from uniport edu ng on may 21 2023 by guest set sail 3 express publishing recognizing the exaggeration ways to

[set sail express publishing uniport edu ng](#) - Jun 09 2022

web may 22 2023 set sail express publishing 3 4 downloaded from uniport edu ng on may 22 2023 by guest of set sail 1 and 2 they are based on the sail away series the set

setsail3expresspublishing pdf - Sep 12 2022

web jul 3 2023 set sail elizabeth gray 2001 04 01 set sail 3 and 4 are the continuation of set sail 1 and 2 they are based on the sail away series the set sail series focuses

set sail express publishing - Sep 24 2023

web the set sail series focuses on getting young learners to enjoy communicating in english through a wide variety of activities in all four skills its pupil centred approach motivates

set sail 3 a1 beginner express publishing ВКонтакте - Jun 21 2023

web set sail 3 a1 beginner express publishing colorful course for younger students collection of all benefits from vk com learnenglish w page 36775085 47022282

[set sail 3 a1 beginner express publishing colorful course](#) - Jan 16 2023

web nov 25 2017 set sail 3 a1 beginner express publishing colorful course for younger students

[young learners explore all four skills the humanistic way](#) - Jul 22 2023

web set sail 3 provides inviting texts with the aim of developing the following sub skills ñ reading for specific information ñ

reading for gist ñ identifying correct and false

set sail express publishing uniport edu ng - Mar 06 2022

web apr 1 2023 set sail express publishing 2 5 downloaded from uniport edu ng on april 1 2023 by guest set sail with us ingles 3o ano teacher s resource book 2005 new set

set sail 3d on the app store - Jul 10 2022

web read reviews compare customer ratings see screenshots and learn more about set sail 3d download set sail 3d and enjoy it on your iphone ipad and ipod touch

set sail express publishing - Apr 19 2023

web set sail express publishing free shipping on orders over 60 5 off your first order with the coupon code first valid for orders over 50 placed by june 30 ihre

set sail 3 dvd rom express publishing - Aug 23 2023

web set sail takes students to the fascinating world of interactive learning the dvd rom based on the course material for the pupil s book contains complete interactive modules

set sail definition of set sail by the free dictionary - Jan 04 2022

web define set sail set sail synonyms set sail pronunciation set sail translation english dictionary definition of set sail n mythology variant of seth2 volume a publication

set sail express publishing - Mar 18 2023

web set sail express publishing free shipping on orders over 60 suivez votre commande eur eur usd gbp express publishing toggle menu 0 items in cart

planificare set sail 3 pdf scribd - Feb 17 2023

web unitatea colara manual folosit set sail 3 express publishing clasa a 3 a a numar ore 2 planificare anual la limba englez clasa a iii a anul colar 2012

set sail on steam - Dec 15 2022

web set sail is a western visual novel set in the modern day where the golden age of pirating never properly ended the player takes the role of a young pirate who has lived their

set sail 3 express publishing uniport edu - Apr 07 2022

web merely said the set sail 3 express publishing is universally compatible later any devices to read set sail 3 pupil s book 2005 predicasts f s index united states predicasts inc

set sail 3 pupil s book free download pdf - May 20 2023

web oct 10 2017 report set sail 3 pupil s book please fill this form we will try to respond as soon as possible your name

email reason description close submit share

set sail 3 express publishing full pdf - May 08 2022

web set sail jenny dooley 2004 set sail 3 and 4 are the continuation of set sail 1 and 2 they are based on the sail away series the set sail series focuses on getting young

rosa parks rosa parks mi mini biografia my itty b - Aug 02 2023

web it is your agreed own become old to feint reviewing habit accompanied by guides you could enjoy now is rosa parks rosa parks mi mini biografia my itty b below rosa parks rosa parks mi mini biografia my itty b downloaded from thyroidccc org by guest nathanial quincy rosa parks a life of courage national geographic books find

rosa parks rosa parks mi mini biografia my itty bitty bio by - Sep 03 2023

web rosa parks rosa parks mi mini biografia my itty bitty bio by emma e haldy jeff bane rosa parks la mujer negra que desafío a la américa blanca mirador mariana bracetti lares 2020 all you need to biografía de malala yousafzai quién es vida historia rosa parks la enciclopedia libre io sono malala riassunto skuola net

rosa parks rosa parks mi mini biografia my itty b pdf - Mar 17 2022

web jun 5 2023 rosa parks rosa parks mi mini biografia my itty b pdf eventually you will enormously discover a extra experience and deed by spending more cash nevertheless when pull off you undertake that you require to get those every needs taking into consideration having significantly cash why dont you attempt to get something basic in

rosa parks rosa parks mi mini biografia my itty b pdf - Feb 25 2023

web rosa parks rosa parks mi mini biografia my itty b 5 5 faith reflections by rosa parks celebrates the principles and convictions that guided her through a remarkable life it is a printed record of her legacy her lasting message to a world still struggling to live in harmony including historic and beautiful pictures

rosa parks rosa parks mi mini biografia my itty bitty bio best - Oct 04 2023

web sep 18 2020 reseña del editor the mi mini biografia series are spanish language biographies for the earliest readers this book examines the life of rosa parks in a simple age appropriate way that will help children develop word recognition and reading skills

rosa parks rosa parks mi mini biografia my itty b 2022 - Feb 13 2022

web rosa parks rosa parks mi mini biografia my itty b 5 5 no discussion of the civil rights movement is complete without the story of rosa parks but what was this activist like as a child following young rosa from a fishing creek to a one room schoolhouse from her wearing homemade clothes to wondering what white water tastes like readers

rosa parks rosa parks mi mini biografia my itty b old pedenrv - Aug 22 2022

web parks rosa parks mi mini biografia my itty b downloaded from old pedenrv com by guest sherman lin who was rosa parks

sterling publishing company inc the littlest 4 rosa parks rosa parks mi mini biografia my itty b 2021 06 27 activism began two decades before her historic stand that sparked the montgomery bus boycott and

rosa parks rosa parks mi mini biografia my itty b - Dec 26 2022

web rosa parks rosa parks mi mini biografia my itty b downloaded from ftp themontcalmclub com by guest hughes sherman rosa parks a life of courage holiday house rosa parks s crucial decision proved more than one to remain seated this book uses historical analysis and parks s own words

rosa parks facts for kids national geographic kids - May 31 2023

web full name rosa louise mccauley parks born 4 february 1913 hometown tuskegee alabama usa occupation civil rights activist died 24 october 2005 best known for the montgomery bus boycott rosa was born in the town of tuskegee in alabama a state in southern usa her mother was a teacher and her father a carpenter and she had a little

rosa parks rosa parks mi mini biografia my itty b pdf ftp - Jul 21 2022

web rosa parks rosa parks mi mini biografia my itty b downloaded from ftp thedevonshirelondon co uk by guest buckley kidd rosa parks capstone in 1955 rosa parks refused to give her bus seat to a white passenger 2 2 rosa parks rosa parks mi mini biografia my itty b 2022 05 17 in montgomery alabama

rosa parks rosa parks mi mini biografia my itty b 2022 - Jun 19 2022

web 4 rosa parks rosa parks mi mini biografia my itty b 2022 08 05 approach that kids love the life story of rosa parks has enduring lessons to teach us and this biography should appeal to kids parents and teachers rosa parks capstone a brief biography of the black woman in montgomery alabama whose experiences with segregation led to her

rosa parks rosa parks mi mini biografia my itty b pdf - Apr 17 2022

web rosa parks rosa parks mi mini biografia my itty b pdf getting the books rosa parks rosa parks mi mini biografia my itty b pdf now is not type of challenging means you could not single handedly going as soon as books accretion or library or borrowing from your connections to admittance them this is an extremely easy means to

biography rosa parks for kids ducksters - Jan 27 2023

web oct 24 2005 rosa often worked as a seamstress when she needed a job or to make some extra money you can visit the actual bus that rosa parks sat in at the henry ford museum in michigan when she lived in detroit she worked as a secretary for u s representative john conyers for many years she wrote an autobiography called rosa parks my story

ebook rosa parks rosa parks mi mini biografia my itty b - May 19 2022

web this book examines the life of rosa parks in a simple age appropriate way that will help children develop word recognition and reading skills includes a timeline and other informative backmatter walt disney dec 09 2021 the my itty bitty bio series are biographies for the earliest readers this book examines the life of walt

rosa parks rosa parks mi mini biografia my itty b pdf - Oct 24 2022

web 4 rosa parks rosa parks mi mini biografia my itty b 2022 12 15 seat to a white passenger in montgomery alabama this seemingly small act triggered civil rights protests across america and earned rosa parks the title mother of the civil rights movement this biography has black and white illustrations throughout rosa parks penguin this

rosa parks biography - Nov 24 2022

web rosa parks is one of the most well known americans of the 20th century but her biography is often presented in a way that distorts and diminishes her life history of being a rebel as she put it rosa parks biography a resource for teaching rosa parks menu introduction read the story interactive timeline

biography rosa parks - Mar 29 2023

web rosa louise parks biography rosa louise parks was nationally recognized as the mother of the modern day civil rights movement in america her refusal to surrender her seat to a white male passenger on a montgomery alabama bus december 1 1955 triggered a wave of protest december 5 1955 that reverberated throughout the united

rosa parks rosa parks mi mini biografia my itty b 2022 ftp - Apr 29 2023

web parks rosa parks mi mini biografia my itty b downloaded from ftp themontcalmclub com by guest tate mercer quiet strength core library the story of the bus and the passengers who changed history like all buses in montgomery alabama in the 1950s bus 2857 was segregated white passengers sat in the front

rosa parks rosa parks mi mini biografia my itty b dna viz tpq - Jul 01 2023

web rosa parks rosa parks rosa parks rosa parks mi mini biografia my itty b omb no 6347984510912 edited by curtis alina rosa parks capstone classroom on the morning of december 1 1955 hardly anyone in rosa parks home town of montgomery alabama had heard of her by the time that night fell she was on her way to becoming a

rosa parks rosa parks mi mini biografia my itty b - Sep 22 2022

web rosa parks rosa parks mi mini biografia my itty b 2023 01 03 aleah shane rosa parks zondervan provides an introduction to the life and biography of rosa parks who helped start the civil rights movement in the united states national geographic readers rosa parks penguin find out about the life of rosa parks and how her actions in