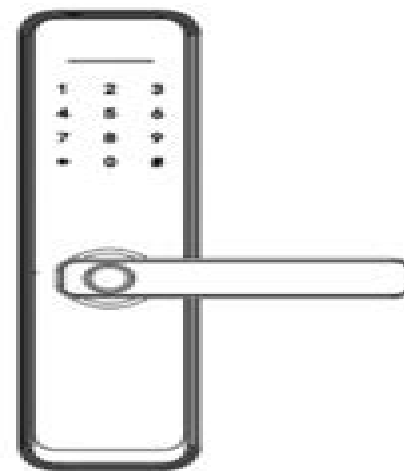


10. Technical Parameters

Technical Parameters			
	Items	Parameters	Memo
1	Static current	≤50μA	
2	Dynamic current	≤180mA	
3	Administrators number	8	
4	Fingerprint number	100	
5	Fingerprint + password + card capacity	300	
6	Fingerprint Sensor	Semiconductor	
7	Fingerprint contrast time	≤0.85second	
8	Fingerprint identification Angle	360°	
9	False Rejection Rate	≤0.1%	
10	False Recognition Rate	≤0.0001%	
11	Reaction time	≤0.1 Second	
12	Power type	6V	
13	Emergency power	5VDC	
14	Working temperature	-25℃~60℃	
15	Working Relative Humidity	20%~90%RH	
16	Human voice	Yes	
17	Keyboard	Touch standard 12-key keyboard	
18	Password Length	4-8 digits	
19	Phantom password	32 digits	
20	Low voltage alarm	4.6±0.2V	
21	Unlock time	≤1 Second	

Instruction of smart lock



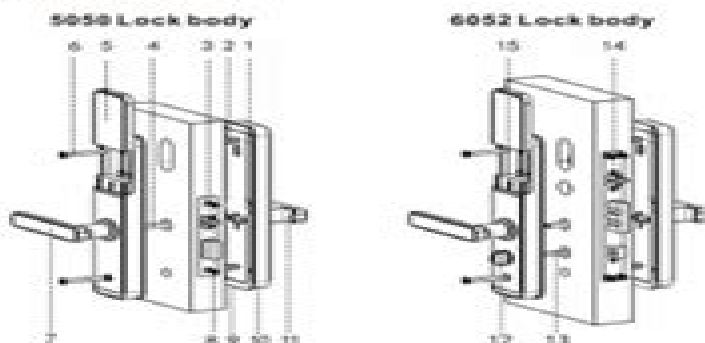
NOTICE:

1. Please read this instruction sheet before used.
2. Please take key with you or put it outside the room.

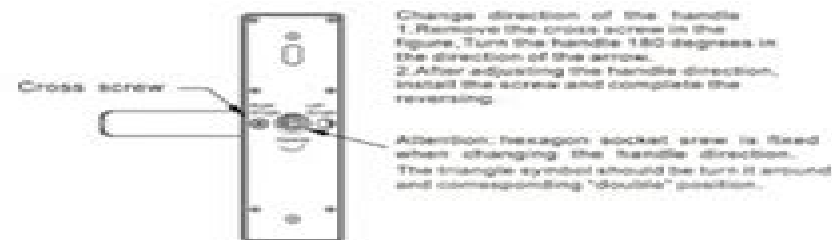
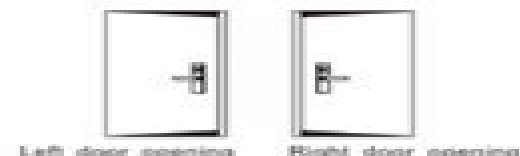
1. Installation

- a. Professional installation recommended
- b. Pay attention to the connecting cable during installation.
- c. Please adjust the handle direction according to the instructions.
- d. It is necessary to keep the door half open during installation
- e. After installation, please check whether fingerprint, password, IC card, key, internal and external handle, and anti lock switch can work normally.
- f. If it can't be used normally check for improper installation.

2. Installation diagram



3. Confirm the direction of the handle



4. Cutout

Refer to the hole drawing and the lock body model.

5. Install the lock body:

- 5.1 Support lock body model: 5050, 4585, 6085, 5572, 6072, 6052, ball lock, etc.
- 5.2 Adjust the direction of the diagonal tongue according

Manual E Lock

J Spring



Manual E Lock:

Manual E Lock Book Review: Unveiling the Power of Words

In a global driven by information and connectivity, the ability of words has are more evident than ever. They have the capability to inspire, provoke, and ignite change. Such may be the essence of the book **Manual E Lock**, a literary masterpiece that delves deep into the significance of words and their effect on our lives. Written by a renowned author, this captivating work takes readers on a transformative journey, unraveling the secrets and potential behind every word. In this review, we shall explore the book is key themes, examine its writing style, and analyze its overall effect on readers.

https://py.bijouxmedusa.com/book/detail/Documents/manual_de_crecimiento_espiritual_30_dias_para_entender_lo_que_creen_los_cristianos_paperback.pdf

Table of Contents Manual E Lock

1. Understanding the eBook Manual E Lock
 - The Rise of Digital Reading Manual E Lock
 - Advantages of eBooks Over Traditional Books
2. Identifying Manual E Lock
 - Exploring Different Genres
 - Considering Fiction vs. Non-Fiction
 - Determining Your Reading Goals
3. Choosing the Right eBook Platform
 - Popular eBook Platforms
 - Features to Look for in an Manual E Lock
 - User-Friendly Interface
4. Exploring eBook Recommendations from Manual E Lock
 - Personalized Recommendations
 - Manual E Lock User Reviews and Ratings
 - Manual E Lock and Bestseller Lists

5. Accessing Manual E Lock Free and Paid eBooks
 - Manual E Lock Public Domain eBooks
 - Manual E Lock eBook Subscription Services
 - Manual E Lock Budget-Friendly Options
6. Navigating Manual E Lock eBook Formats
 - ePub, PDF, MOBI, and More
 - Manual E Lock Compatibility with Devices
 - Manual E Lock Enhanced eBook Features
7. Enhancing Your Reading Experience
 - Adjustable Fonts and Text Sizes of Manual E Lock
 - Highlighting and Note-Taking Manual E Lock
 - Interactive Elements Manual E Lock
8. Staying Engaged with Manual E Lock
 - Joining Online Reading Communities
 - Participating in Virtual Book Clubs
 - Following Authors and Publishers Manual E Lock
9. Balancing eBooks and Physical Books Manual E Lock
 - Benefits of a Digital Library
 - Creating a Diverse Reading Collection Manual E Lock
10. Overcoming Reading Challenges
 - Dealing with Digital Eye Strain
 - Minimizing Distractions
 - Managing Screen Time
11. Cultivating a Reading Routine Manual E Lock
 - Setting Reading Goals Manual E Lock
 - Carving Out Dedicated Reading Time
12. Sourcing Reliable Information of Manual E Lock
 - Fact-Checking eBook Content of Manual E Lock
 - Distinguishing Credible Sources
13. Promoting Lifelong Learning

- Utilizing eBooks for Skill Development
 - Exploring Educational eBooks
14. Embracing eBook Trends
- Integration of Multimedia Elements
 - Interactive and Gamified eBooks

Manual E Lock Introduction

Manual E Lock Offers over 60,000 free eBooks, including many classics that are in the public domain. Open Library: Provides access to over 1 million free eBooks, including classic literature and contemporary works. Manual E Lock Offers a vast collection of books, some of which are available for free as PDF downloads, particularly older books in the public domain. Manual E Lock : This website hosts a vast collection of scientific articles, books, and textbooks. While it operates in a legal gray area due to copyright issues, its a popular resource for finding various publications. Internet Archive for Manual E Lock : Has an extensive collection of digital content, including books, articles, videos, and more. It has a massive library of free downloadable books. Free-eBooks Manual E Lock Offers a diverse range of free eBooks across various genres. Manual E Lock Focuses mainly on educational books, textbooks, and business books. It offers free PDF downloads for educational purposes. Manual E Lock Provides a large selection of free eBooks in different genres, which are available for download in various formats, including PDF. Finding specific Manual E Lock, especially related to Manual E Lock, might be challenging as theyre often artistic creations rather than practical blueprints. However, you can explore the following steps to search for or create your own Online Searches: Look for websites, forums, or blogs dedicated to Manual E Lock, Sometimes enthusiasts share their designs or concepts in PDF format. Books and Magazines Some Manual E Lock books or magazines might include. Look for these in online stores or libraries. Remember that while Manual E Lock, sharing copyrighted material without permission is not legal. Always ensure youre either creating your own or obtaining them from legitimate sources that allow sharing and downloading. Library Check if your local library offers eBook lending services. Many libraries have digital catalogs where you can borrow Manual E Lock eBooks for free, including popular titles. Online Retailers: Websites like Amazon, Google Books, or Apple Books often sell eBooks. Sometimes, authors or publishers offer promotions or free periods for certain books. Authors Website Occasionally, authors provide excerpts or short stories for free on their websites. While this might not be the Manual E Lock full book , it can give you a taste of the authors writing style. Subscription Services Platforms like Kindle Unlimited or Scribd offer subscription-based access to a wide range of Manual E Lock eBooks, including some popular titles.

FAQs About Manual E Lock Books

1. Where can I buy Manual E Lock books? Bookstores: Physical bookstores like Barnes & Noble, Waterstones, and independent local stores. Online Retailers: Amazon, Book Depository, and various online bookstores offer a wide range of books in physical and digital formats.
2. What are the different book formats available? Hardcover: Sturdy and durable, usually more expensive. Paperback: Cheaper, lighter, and more portable than hardcovers. E-books: Digital books available for e-readers like Kindle or software like Apple Books, Kindle, and Google Play Books.
3. How do I choose a Manual E Lock book to read? Genres: Consider the genre you enjoy (fiction, non-fiction, mystery, sci-fi, etc.). Recommendations: Ask friends, join book clubs, or explore online reviews and recommendations. Author: If you like a particular author, you might enjoy more of their work.
4. How do I take care of Manual E Lock books? Storage: Keep them away from direct sunlight and in a dry environment. Handling: Avoid folding pages, use bookmarks, and handle them with clean hands. Cleaning: Gently dust the covers and pages occasionally.
5. Can I borrow books without buying them? Public Libraries: Local libraries offer a wide range of books for borrowing. Book Swaps: Community book exchanges or online platforms where people exchange books.
6. How can I track my reading progress or manage my book collection? Book Tracking Apps: Goodreads, LibraryThing, and Book Catalogue are popular apps for tracking your reading progress and managing book collections. Spreadsheets: You can create your own spreadsheet to track books read, ratings, and other details.
7. What are Manual E Lock audiobooks, and where can I find them? Audiobooks: Audio recordings of books, perfect for listening while commuting or multitasking. Platforms: Audible, LibriVox, and Google Play Books offer a wide selection of audiobooks.
8. How do I support authors or the book industry? Buy Books: Purchase books from authors or independent bookstores. Reviews: Leave reviews on platforms like Goodreads or Amazon. Promotion: Share your favorite books on social media or recommend them to friends.
9. Are there book clubs or reading communities I can join? Local Clubs: Check for local book clubs in libraries or community centers. Online Communities: Platforms like Goodreads have virtual book clubs and discussion groups.
10. Can I read Manual E Lock books for free? Public Domain Books: Many classic books are available for free as they're in the public domain. Free E-books: Some websites offer free e-books legally, like Project Gutenberg or Open Library.

Find Manual E Lock :

~~manual de crecimiento espiritual 30 dias para entender lo que creen los cristianos paperback~~

~~managerial accounting 14th edition answers~~

~~macroeconomics european edition by mankiw n gregory taylor~~

~~managerial accounting chapter 10 solutions~~

~~managerial accounting concepts and principles solutions~~

mall directory valley view mall

~~maestro de la seduccion rafael cruz libro~~

~~maillard reaction in foods researchgate~~

managerial economics business strategy pdf michael baye

~~maintenance engineering and management venkataraman k pdf~~

~~managerial accounting for managers~~

mahinda chinthana vision for the future

~~malabar manual by william logan~~

maintenance engineering book by vijayaraghavan

~~managerial statistics 9th edition keller hrsys~~

Manual E Lock :

crossdogging hundesport querbeet amazon de - May 11 2023

web may 1 2015 crossdogging ist frech und anders es mischt elemente aus verschiedenen hundesportarten zu einem neuen gesamtconcept das durch abwechslung und

crossdogging hundesport querbeet facebook - Mar 09 2023

web crossdogging hundesport querbeet vollständigen titel anzeigen von melanie fydrich und raphaela niewerth 0

bewertungen Über dieses e book crossdogging ist

crossdogging hundesport querbeet ebook barnes noble - Oct 04 2022

web hundesport querbeet crossdogging ist frech und anders es mischt elemente aus verschiedenen hundesportarten zu einem neuen gesamtconcept das durch

crossdogging hundesport querbeet german edition kindle - Aug 02 2022

web crossdogging fydrich melanie niewerth raphaela crossdogging hundesport querbeet flexicover 208 seiten durchgehend

farbig crossdogging ist frech und

crossdogging hundesport querbeet frech und anders - Jul 13 2023

web crossdogging ist frech und anders es mischt elemente aus verschiedenen hundesportarten zu einem neuen gesamt-konzept das durch abwechslung und

crossdogging hundesport querbeet hund unterwegs - Sep 03 2022

web crossdogging hundesport querbeet von melanie fydrich raphaela nowerth 19 99 verlag veröffentl isbn ean 9783954640591 sprache anzahl seiten in den

raphaela nowerth crossdogging mehr als - Dec 06 2022

web crossdogging hundesport querbeet von fydrich melanie nowerth raphaela crossdogging ist frech und anders es mischt elemente aus verschiedenen

crossdogging hundesport querbeet google books - Jun 12 2023

web crossdogging hundesport querbeet melanie fydrich raphaela nowerth isbn 9783954640386 kostenloser versand für alle bücher mit versand und verkauf duch

crossdogging trainiert körper und geist des hundes so gehts - Nov 24 2021

crossdogging zirkeltraining für hunde dogondo de - Feb 08 2023

web abebooks com crossdogging hundesport querbeet 9783954640386 by fydrich melanie nowerth raphaela and a great selection of similar new used and collectible

crossdogging - Apr 29 2022

web hundeschule stadtfelle der videoblog stadtfelle kursvorstellung crossdogging in der heutigen folge beschä

cross dogging breloer de - Jul 01 2022

web sep 17 2021 crossdogging ist eine hundesportart bei der verschiedene elemente aus anderen hundesportarten kombiniert werden es handelt sich um ein zirkeltraining für

stadtfelle kursvorstellung crossdogging youtube - Jan 27 2022

web 7 bokstaver agility smeller advertisements 8 bokstaver lydighet hinderløp lydighetsdressur dagens kryssord vi trekker ukentlig en vinner av 25 flaxlodd løs

synonym til hundesport i kryssord gratiskryssord no - Oct 24 2021

crossdogging hundesport querbeet amazon de - Apr 10 2023

web beim crossdogging gilt es 5 lustige und knifflige aufgaben gemeinsam mit dem hund zu bewältigen Ähnlich einem

circeltraining arbeiten immer zwei mensch

crossdogging von melanie fydrich und raphaela niewerth - Jan 07 2023

web jun 26 2015 crossdogging ist frech und anders es mischt elemente aus verschiedenen hundesportarten zu einem neuen gesamtconcept das durch abwechslung und

crossdogging alle infos zum hundesport edogs magazin - Mar 29 2022

web das zirkeltraining namens crossdogging ist knifflig sportlich und spaßig für hunde erfahre jetzt mehr über das neue hundetrainingsconcept shop ratgeber magazin

crossdogging isbn 9783954640591 ebook von melanie - May 31 2022

web was ist crossdogging für wen ist crossdogging geeignet schwierighkeitsgrade study aufgaben bachelor aufgaben master aufgaben trainingstipps die gruppenstunde in

crossdogging hey fiffi com - Feb 25 2022

web sep 5 2020 seit einiger zeit ist crossdogging stark im kommen hierbei handelt es sich um eine disziplin welche die elemente aus bekannten freizeitbeschäftigungen

futbolda crossing nedir ne demek tozlu mikrofon - Sep 22 2021

crossdogging hundesport querbeet softcover abebooks - Nov 05 2022

web crossdogging hundesport querbeet german edition kindle edition by fydrich melanie niewerth raphaela download it once and read it on your kindle device pc

startseite crossdogging gbr - Aug 14 2023

web apr 17 2016 crossdogging ist frech und anders crossdogging mischt elemente aus verschiedenen hundesportarten zu einem neuen gesamtconcept das durch

crossdogging zooroyal magazin - Dec 26 2021

web may 16 2020 orta açma orta yapma bir futbol maçında herhangi bir oyuncunun herhangi bir yerden herhangi bir takım arkadaşına yapmış olduğu tüm ortalar crossing olarak

question please answer questions 1 21 question come from the book jig - Apr 11 2023

web expert answer q1 answer a easiest to modify built up tool body b high strength rigidity cast tool body c could warp during fabrication welded tool body d requires a pattern cast tool body e best for vibration dampening built up tool body f epoxy res view the full answer transcribed image text

what is jig fixture design carr lane mfg co - Aug 03 2022

web the two basic styles of fixture keys are the slot mounted and hole mounted types slot mounted fixture keys are made in

two variations the plain fixture key and the step fixture key figure 4 42 the plain fixture key shown at a is the simplest and least expensive of the slot mounted keys

[april may 2014 design of jigs and fixtures answer key](#) - May 12 2023

web me2029 design of jigs fixtures and press tools part a 1 a situation in which a workpiece has more locating points than it actually needs redundant locators increase the chances of errors in manufacturing processes 2 3 a fixture is a work holding device which is used to locate support and

[jigs and fixtures mcq free pdf objective question answer for jigs](#) - Oct 05 2022

web jun 13 2023 get jigs and fixtures multiple choice questions mcq quiz with answers and detailed solutions download these free jigs and fixtures mcq quiz pdf and prepare for your upcoming exams like banking ssc railway upsc state psc commercial cam clamps use the spiral design rather than the eccentric because of its superior

jig and fixture design pages 1 50 flip pdf download - Aug 15 2023

web jul 31 2017 check pages 1 50 of jig and fixture design in the flip pdf version jig and fixture design was published by dr ssureshkumar on 2017 07 31 find more similar flip pdfs like jig and fixture design download jig

[jig and fixture design edward hoffman google books](#) - Sep 04 2022

web aug 1 2012 jig and fixture design edward hoffman cengage learning aug 1 2012 architecture 416 pages by emphasizing similarities among types and styles jig and fixture design 5e speeds readers to a complete understanding of the why s and how s of designing and building a variety of different workholders for manufacturing

[jigs and fixtures mcq free pdf objective question answer for jigs](#) - Apr 30 2022

web jun 14 2023 get jigs and fixtures multiple choice questions mcq quiz with answers and detailed solutions download these free jigs and fixtures mcq quiz pdf and prepare for your upcoming exams like banking ssc railway upsc state psc

[design of jig and fixture mcq free pdf objective question answer](#) - Feb 26 2022

web jun 7 2023 get design of jig and fixture multiple choice questions mcq quiz with answers and detailed solutions download these free design of jig and fixture mcq quiz pdf and prepare for your upcoming exams

[jig and fixture basic interview question and answers](#) - Jan 28 2022

web 1 what is the function of jig bushes drill bushes are used to guide drills reamers and other cutting tools into the proper position on the work piece 2 what are the two types of press fit bushes a plain or headless bushes b flanged or headed bushes 3 distinguish between the channel and box jigs

appendix c jigs and fixtures suggested questions and answers design - Nov 06 2022

web jul 26 2015 it first explains the difference between a drill jig and a fixture the appendix then explains the forc appendix c jigs and fixtures suggested questions and answers design of jigs fixtures and press tools wiley online library

designing jigs and fixtures design guide vention - Jun 01 2022

web aug 10 2021 the following guide covers the basic design principles that vention uses for jigs and fixtures this guide will discuss the various tool body options available how to select the proper locators and locator end tips for a specific application and how to configure clamps and supports

jig fixture design 5th ed studylib net - Jul 14 2023

web fixture a workholding device that holds supports and locates the workpiece while providing a referencing surface or device for the cutting tool fixture key a square or rectangular block attached to the base of a jig or fixture which locates and aligns the workholder in the t slots of the machine tool on which it is used flat cam

jigs and fixtures assignment 1 1 assignment 1 libin john - Mar 10 2023

web jigs and fixtures assignment 1 1 design of engineering mgmt5000 anatomy and physiology 1 what is the 5 step process for tool design 2 what is the most important part of the evaluation process and why 3 why should the designer be present when building the work holder

course on jigs fixture design virtual engineering - Jul 02 2022

web jigs and fixtures for production machining processes are covered specific subjects include methods of gaging work pieces ease and simplicity of operation assembly methods capital evaluation and techniques for locating and holding work pieces time studies tool steels bending allowances and reverse engineering techniques

fixture design sme - Dec 07 2022

web training objective after watching the program and reviewing this printed material the viewer will understand the principles of fixture design and the use of fixtures in manufacturing operations basic fixture design is explained fixture components are shown machine forces on the fixture are demonstrated

solved chapter 4 jigs and fixtures design q1 define a jig chegg - Feb 09 2023

web question chapter 4 jigs and fixtures design q1 define a jig and a fixture q2 state the 3 2 1 principle in the design of jigs and fixtures with the aid of a sketch explain how the principle is applied in locating a component in a jig q3

jig and fixture design 5e textbook solutions chegg com - Jun 13 2023

web jig and fixture design 5e textbook solutions from chegg view all supported editions

jigs and fixtures objective questions fitter set 1 pdf - Jan 08 2023

web home iti fitter fitter set 1 jigs and fixtures jigs and fixtures objective questions fitter set 1 1 which one of the following is used to guide the tool and hold the job in mass production gauge housing jig fixture answer explanation answer is jig

key considerations for making jigs and fixtures - Mar 30 2022

web jun 12 2020 engineers can make sure their jigs and fixtures are strong and well designed by keeping these key

considerations in mind jig and fixture design basics the key to manufacturing jigs and fixtures starts with understanding how degrees of

computer aided design of traditional jigs and fixtures mdpi - Dec 27 2021

web dec 21 2021 abstract conventional design of jigs and fixtures has become unsuitable given the requirements of modern technology and complexity and diversity in the production with the rapid update of products computer aided design cad of jigs and fixtures is an effective solution in this direction

eastern outboard racing club inc 128 199 67 - Jan 28 2022

web racing eastern outboard racing club inc pdf free download here bridgeport seattle outboard association s home page seattleoutboard org pp 05 05 pdf browse and read eastern outboard racing club inc eastern outboard racing club inc now welcome the most inspiring book today from a very professional writer in the world

eastern outboard racing club inc mintxx - Jun 01 2022

web trade eastern canada outboard racing club official web site of the eastern canada outboard racing club eastern outboard racing club fairbanks outboard association formula 1 uim world championship series indiana outboard association toronto outboard racing club

eastern racing club hamina facebook - Mar 30 2022

web eastern racing club hamina 322 likes eastern racing moottoripyöriin keskittynyt yhteisö team

eastern outboard racing club inc new york company - Apr 11 2023

web eastern outboard racing club inc dos id 74462 was incorporated on 03 17 1950 in new york their business is recorded as domestic not for profit corporation

eastern outboard racing club inc tvl parisbytrain com - Dec 07 2022

web eastern outboard racing club winterfest hydroracer net april 9th 2018 the eastern outboard racing club eorc winterfest event was no different than other years a success attendees came from all over including connecticut and massachusetts eastern outboard racing club skicom de april 23rd 2018 eastern outboard racing club

uluslararası tjk - Aug 03 2022

web international races in turkey 2023 the jockey club of turkey has been organizing 8 international races in ankara 75th year racetrack queen elizabeth ii cup and in istanbul veliefendi racetrack 7 int races oceania africa and far east countries 12 000 shall be paid for round trip per horse arriving from europe and

eastern outboard racing club inc in new york company info - Jan 08 2023

web eastern outboard racing club inc is a new york domestic not for profit corporation filed on march 17 1950 the company s filing status is listed as active and its file number is 74462

eastern outboard racing club inc - Sep 04 2022

web aug 20 2023 eastern outboard racing club inc now welcome the most inspiring book today from a very professional writer in the world eastern outboard racing links inboardhydroplanes com april 25th 2018 links race associations nfbra niagara frontier whichissed visionaustralia org 3 12 boat racing association buffalo a club in

voyforums eastern outboard racing club of long island - Mar 10 2023

web welcome to eastern outboard racing club of long island message board feel free to post a message or question you might have about outboard racing

eastern outboard racing club boat racing facts - Jun 13 2023

web jun 12 2005 the first one is of dick scopinich from long island in his boh quincy looper on a i think sid son hydro dick went on to run 500 hydro using konig butts rigs the second picture is a typical view of the pits at a local eastern outboard racing club event the club had a field of 50 boats back then on a typical sunday afternoon

intercity istanbul park upcoming events tickets resident - Nov 06 2022

web intercity istanbul park turkish İstanbul park also known as the istanbul racing circuit or initially as the istanbul otodrom is a motor sports race track in tuzla east of istanbul turkey it was inaugurated on 21 august 2005 it has been called the best race track in the world by formula one chief executive bernie ecclestone 3

eorc eastern outboard racing club in undefined by - Oct 05 2022

web eorc stands for eastern outboard racing club q a how to abbreviate eastern outboard racing club eastern outboard racing club can be abbreviated as eorc q a what is the meaning of eorc abbreviation the meaning of eorc abbreviation is eastern outboard racing club q a what is eorc abbreviation

eastern outboard racing club inc company profile - May 12 2023

web eastern outboard racing club inc overview eastern outboard racing club inc filed as a domestic not for profit corporation in the state of new york on friday march 17 1950 and is approximately seventy three years old according to public records filed with new york department of state

turkish grand prix 2021 f1 race formula 1 - Dec 27 2021

web everything you need to know about the 2021 turkish grand prix find race driver circuit and team information as well as news and results

eastern outboard racing club inc - Apr 30 2022

web april 27th 2018 eastern outboard racing club inc the mother of all maritime links page 30 of 47 motorboat racing aeroquip performance products manufacturer of hoses and fittings the american power history aeroliner race boats april 30th 2018 aeroliner race boats was started in the mid they both

eastern outboard racing club inc survey thecube - Jul 02 2022

web eastern outboard racing club inc the eastern outboard racing club finished its last race of the season on october 13 2008

check out the press that the club received in a local newspaper aston martin owners club usa pdf download automobile

workshop manual from cars pdf complete biology 103 placement test study guide pdf online free in

east bay boat club facebook - Feb 26 2022

web east bay boat club is a northern california affiliate of the american power boat association we conduct races for outboard and inboard competitors in the region we have a long history and are

eastern outboard racing club archive boat racing facts - Jul 14 2023

web the second picture is a typical view of the pits at a local eastern outboard racing club event the club had a field of 50

boats back then on a typical sunday afternoon almost every type of engines boat combinations ran in salt water

eastern outboard racing club gt raceway - Feb 09 2023

web the eastern outboard racing club of long island held its annual race at north sea harbor on sunday where great weather met great racing you may also like bald and fat classic to return later history aeroliner race boats

eastern outboard racing club hydorracer net forums - Aug 15 2023

web oct 16 2008 this is the place for all general discussion about stock mod pro outboard racing the place for all drivers crew members and race fans to hang out and have a good time share race photos etc