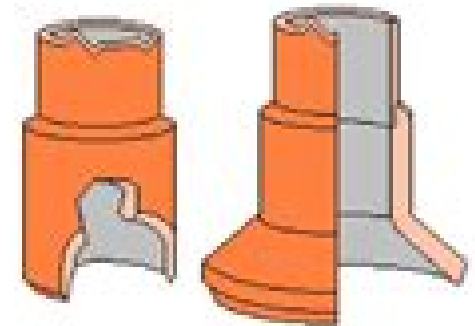


Well COMPLETION

5. OTHERS

5.1 Wireline Entry Guide (WLEG)

- Bottom most tubing accessories.
- Provide easy access for WL tools into tubing.

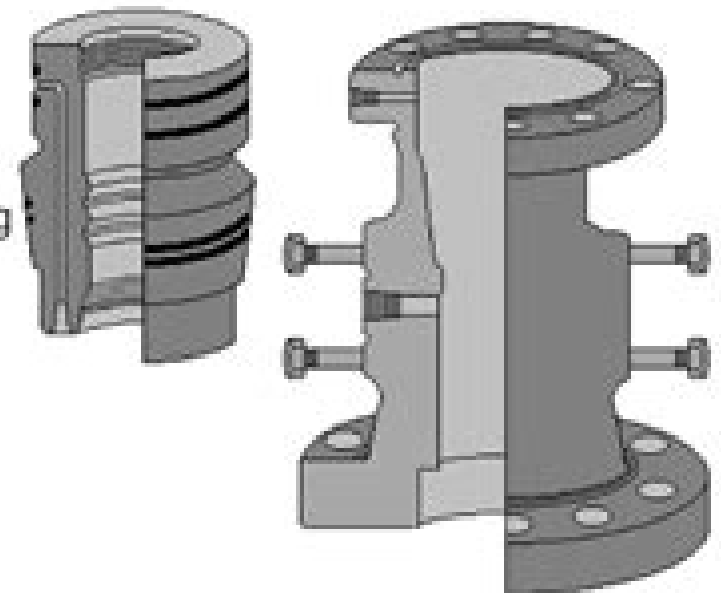


5.2 Perforated Joint

- Eliminate flow restrictions.
- Provide true downhole flow readings.

5.3 Control Line

- Transport hydraulic fluid to SCSSV
- Continuous length & securely clamped on tubing wall.



5.4 Tubing Hanger

- Set in THS , suspend tubing weight & provide sealing.
- BPV Receptacle

Wireline Operations Manual

Larry W. Lake



Wireline Operations Manual:

Wireline Operations and Procedures American Petroleum Institute. Division of Production, 1964 *Standard Handbook of Petroleum and Natural Gas Engineering* William C. Lyons, Gary J. Plisga BS, 2011-03-15 This new edition of the Standard Handbook of Petroleum and Natural Gas Engineering provides you with the best state of the art coverage for every aspect of petroleum and natural gas engineering With thousands of illustrations and 1 600 information packed pages this text is a handy and valuable reference Written by over a dozen leading industry experts and academics the Standard Handbook of Petroleum and Natural Gas Engineering provides the best most comprehensive source of petroleum engineering information available Now in an easy to use single volume format this classic is one of the true must haves in any petroleum or natural gas engineer s library A classic for the oil and gas industry for over 65 years A comprehensive source for the newest developments advances and procedures in the petrochemical industry covering everything from drilling and production to the economics of the oil patch Everything you need all the facts data equipment performance and principles of petroleum engineering information not found anywhere else A desktop reference for all kinds of calculations tables and equations that engineers need on the rig or in the office A time and money saver on procedural and equipment alternatives application techniques and new approaches to problems Wireline Operations Jack B. Hall, 1988 **Wireline Operations and Procedures** American Petroleum Institute. Production Department, 1994 **The Practical Handbook of Well Control** Rahman Ashena, 2025-02-21 The Practical Handbook of Well Control teaches readers to safeguard well safety and integrity in drilling well engineering Offering an applied and scientific point of view it covers fundamental aspects of well control and includes practical procedures and well control methods for land and offshore operations It features a wealth of questions to commonly encountered problems and comprehensive answers at the end of each topical discussion to test reader comprehension Written in a concise accessible way by experienced oilfield and academic experts Covers all related technical subjects of well control Describes modern aspects of well control including automatic well control advances in outflow measurement artificial intelligence and IoT techniques for early kick detection mud gas separators and riser gas modeling Includes case studies to familiarize readers with real world problems and solutions Offers a full explanation of each problem to familiarize readers with commonly faced issues Features sample exercises with comprehensive answers useful for IWCF and IADC exams This handbook serves as a valuable reference and workbook for field drilling and workover engineers in the energy sector *Oilfield Survival Guide, Volume One: For All Oilfield Situations* Matthew J. Hatami, 2017-01-02 Save Money Time and Lives with the Real World Oil Gas Experience of Others Learning the Hard Way in the Oilfield can Cost You Millions sometimes Billions of Dollars in addition to Injury and Loss of Life Cut Through the Noise to Focus on the Most Critical Aspects of Working in the Oil and Gas Business Based on over 1 000 Oil and Gas Situations involving Drilling Cementing Fracking Wireline Coil Tubing Snubbing Running Tools Welding Production Workover Logging Trucking Geology Land

Engineering Resource Development Executive Management and much much more Expand Your Value Creation Opportunities by Learning from the Real World Experience of Others Whether you work in the office or in the field work as a Company Man Engineer Driller Tool Pusher Roughneck Geologist Landman Truck Driver Frac Hand Treater Cementer Lawyer Flowback Hand Welder Geophysicist Snubber Pumper Equipment Operator Derrick Man Mechanic Petrophysicist Roustabout Manager Director VP or Executive consider adding Oilfield Survival Guide to your toolbox of knowledge In other words if you work hard for your money in the oil business this book is for you The oil gas industry is one of the most capital intensive businesses today As a result mistakes situations can be expensive in addition to injury and loss of life To prevent undesirable situations Oilfield Survival Guide was created based on over 1 000 oil gas situations The ultimate guide for all oil and gas situations Tactics Procedures Fatalities Short Stories Train Wrecks Disaster Avoidance Court Cases Life Savings Skills Checklists Troubleshooting Problem Job Prevention Oilfield Survival Guide is the ultimate oil industry resource to help manage oilfield risk and avoid mistakes by increasing your oil and gas knowledge and intelligence utilizing a variety of methods including Tactics Short and to the point guidelines to reduce risk and instill work principles to be successful in the oil industry from the field to the office Short Stories Experience from the mistakes of others Fatalities Detailed analysis of oil and gas tragedies Court Cases Jury trials expert witness testimony and legal opinions on a variety of oil and gas cases Procedures Step by step process to create oilfield procedures and checklists along with multiple examples Operations Analysis Oil and gas operations post mortem highlighting key learnings practical knowledge useful tips and best practices Over 1 000 oil and gas situations analyzed to create Oilfield Survival Guide

Well Control for Completions and Interventions Howard

Crumpton,2018-04-04 Well Control for Completions and Interventions explores the standards that ensure safe and efficient production flow well integrity and well control for oil rigs focusing on the post Macondo environment where tighter regulations and new standards are in place worldwide Too many training facilities currently focus only on the drilling side of the well s cycle when teaching well control hence the need for this informative guide on the topic This long awaited manual for engineers and managers involved in the well completion and intervention side of a well s life covers the fundamentals of design equipment and completion fluids In addition the book covers more important and distinguishing components such as well barriers and integrity envelopes well kill methods specific to well completion and other forms of operations that involve completion like pumping and stimulation including hydraulic fracturing and shale coiled tubing wireline and subsea intervention Provides a training guide focused on well completion and intervention Includes coverage of subsea and fracturing operations Presents proper well kill procedures Allows readers to quickly get up to speed on today s regulations post Macondo for well integrity barrier management and other critical operation components *Proceedings of the International Field Exploration and Development Conference 2023* Jia'en Lin,2024-03-11 This book focuses on reservoir surveillance and management reservoir evaluation and dynamic description reservoir production stimulation and EOR ultra

tight reservoir unconventional oil and gas resources technology oil and gas well production testing and geomechanics This book is a compilation of selected papers from the 13th International Field Exploration and Development Conference IFEDC 2023 The conference not only provides a platform to exchanges experience but also promotes the development of scientific research in oil gas exploration and production The main audience for the work includes reservoir engineer geological engineer enterprise managers senior engineers as well as students

Policy-Driven Mobile Ad hoc Network Management Ritu Chadha,Latha Kant,2007-10-23 This book should be immensely interesting to those trying to decide what MANET research is worth undertaking and why J Christopher Ramming Program Manager Defense Advanced Research Projects Agency DARPA Strategic Technology Office A thorough comprehensive treatment of mobile ad hoc network management Mobile ad hoc networking is a hot topic gaining importance in both commercial and military arenas Now that the basics in the field have settled and standards are emerging the time is right for a book on management of these networks From two experts in the field Policy Driven Mobile Ad hoc Network Management provides comprehensive coverage of the management challenges associated with mobile ad hoc networks MANETs and includes an in depth discussion of how policy based network management can be used for increasing automation in the management of mobile ad hoc networks This book provides readers with a complete understanding of mobile ad hoc network management and many related topics including Network management requirements for MANETs with an emphasis on the differences between the management requirements for MANETs as compared to static wireline networks The use of policies for managing MANETs to increase automation and to tie together management components via policies Policy conflict detection and resolution Aspects of MANETs that need to be configured and reconfigured at all layers of the protocol stack Methodologies for providing survivability in the face of both hard and soft failures in MANETs The components of a Quality of Service QoS management solution for MANETs based on the widely used Differentiated Services DiffServ paradigm Important open research issues in the area of MANET management Policy Driven Mobile Ad hoc Network Management is an ideal resource for professionals researchers and advanced graduate students in the field of IP network management who are interested in mobile ad hoc networks

The Standard and Poor's 500 Guide Standard & Poor's,2005-12 Text and statistical data on 500 individual companies

The Oil and Gas Journal ,1930

Proceedings - Offshore Technology Conference ,1998

Federal Register ,1999-07-08

Petroleum Engineering Handbook Howard B. Bradley,Fred W. Gipson,1987

Standard and Poor's 500 Guide 2008 Edition Standard & Poor's,2008 Text and statistical data on 500 individual companies

[A Guide to Coalbed Methane Operations](#) Vicki A. Hollub,Paul S. Schafer,1992

Petroleum Engineering Handbook Larry W. Lake,2006 The Petroleum Engineering Handbook has long been recognized as a valuable comprehensive reference book that offers practical day to day applications for students and experienced engineering professionals alike The Petroleum Engineering Handbook is now a series of 7 volumes Volume IV Production Operations Engineering will bring readers up to

date in the areas of design equipment selection and operation procedures for most oil and gas wells Chapters cover three main topic areas well completions problems caused by formation damage and artificial lift a major concern for production engineers Drilling International ,1967 **Coordinated Freeway and Arterial Operations Handbook** ,2006
Training Manual United States. Army. Signal Corps,1925

Uncover the mysteries within Crafted by is enigmatic creation, Discover the Intrigue in **Wireline Operations Manual** . This downloadable ebook, shrouded in suspense, is available in a PDF format (*). Dive into a world of uncertainty and anticipation. Download now to unravel the secrets hidden within the pages.

https://py.bijouxmedusa.com/book/book-search/fetch.php/Startup_Funding_Step_By_Step_For_Startups_95_210_Startup_Funding.pdf

Table of Contents Wireline Operations Manual

1. Understanding the eBook Wireline Operations Manual
 - The Rise of Digital Reading Wireline Operations Manual
 - Advantages of eBooks Over Traditional Books
2. Identifying Wireline Operations Manual
 - Exploring Different Genres
 - Considering Fiction vs. Non-Fiction
 - Determining Your Reading Goals
3. Choosing the Right eBook Platform
 - Popular eBook Platforms
 - Features to Look for in an Wireline Operations Manual
 - User-Friendly Interface
4. Exploring eBook Recommendations from Wireline Operations Manual
 - Personalized Recommendations
 - Wireline Operations Manual User Reviews and Ratings
 - Wireline Operations Manual and Bestseller Lists
5. Accessing Wireline Operations Manual Free and Paid eBooks
 - Wireline Operations Manual Public Domain eBooks
 - Wireline Operations Manual eBook Subscription Services
 - Wireline Operations Manual Budget-Friendly Options

6. Navigating Wireline Operations Manual eBook Formats
 - ePub, PDF, MOBI, and More
 - Wireline Operations Manual Compatibility with Devices
 - Wireline Operations Manual Enhanced eBook Features
7. Enhancing Your Reading Experience
 - Adjustable Fonts and Text Sizes of Wireline Operations Manual
 - Highlighting and Note-Taking Wireline Operations Manual
 - Interactive Elements Wireline Operations Manual
8. Staying Engaged with Wireline Operations Manual
 - Joining Online Reading Communities
 - Participating in Virtual Book Clubs
 - Following Authors and Publishers Wireline Operations Manual
9. Balancing eBooks and Physical Books Wireline Operations Manual
 - Benefits of a Digital Library
 - Creating a Diverse Reading Collection Wireline Operations Manual
10. Overcoming Reading Challenges
 - Dealing with Digital Eye Strain
 - Minimizing Distractions
 - Managing Screen Time
11. Cultivating a Reading Routine Wireline Operations Manual
 - Setting Reading Goals Wireline Operations Manual
 - Carving Out Dedicated Reading Time
12. Sourcing Reliable Information of Wireline Operations Manual
 - Fact-Checking eBook Content of Wireline Operations Manual
 - Distinguishing Credible Sources
13. Promoting Lifelong Learning
 - Utilizing eBooks for Skill Development
 - Exploring Educational eBooks
14. Embracing eBook Trends
 - Integration of Multimedia Elements

- Interactive and Gamified eBooks

Wireline Operations Manual Introduction

Wireline Operations Manual Offers over 60,000 free eBooks, including many classics that are in the public domain. Open Library: Provides access to over 1 million free eBooks, including classic literature and contemporary works. Wireline Operations Manual Offers a vast collection of books, some of which are available for free as PDF downloads, particularly older books in the public domain. Wireline Operations Manual : This website hosts a vast collection of scientific articles, books, and textbooks. While it operates in a legal gray area due to copyright issues, its a popular resource for finding various publications. Internet Archive for Wireline Operations Manual : Has an extensive collection of digital content, including books, articles, videos, and more. It has a massive library of free downloadable books. Free-eBooks Wireline Operations Manual Offers a diverse range of free eBooks across various genres. Wireline Operations Manual Focuses mainly on educational books, textbooks, and business books. It offers free PDF downloads for educational purposes. Wireline Operations Manual Provides a large selection of free eBooks in different genres, which are available for download in various formats, including PDF. Finding specific Wireline Operations Manual, especially related to Wireline Operations Manual, might be challenging as theyre often artistic creations rather than practical blueprints. However, you can explore the following steps to search for or create your own Online Searches: Look for websites, forums, or blogs dedicated to Wireline Operations Manual, Sometimes enthusiasts share their designs or concepts in PDF format. Books and Magazines Some Wireline Operations Manual books or magazines might include. Look for these in online stores or libraries. Remember that while Wireline Operations Manual, sharing copyrighted material without permission is not legal. Always ensure youre either creating your own or obtaining them from legitimate sources that allow sharing and downloading. Library Check if your local library offers eBook lending services. Many libraries have digital catalogs where you can borrow Wireline Operations Manual eBooks for free, including popular titles. Online Retailers: Websites like Amazon, Google Books, or Apple Books often sell eBooks. Sometimes, authors or publishers offer promotions or free periods for certain books. Authors Website Occasionally, authors provide excerpts or short stories for free on their websites. While this might not be the Wireline Operations Manual full book , it can give you a taste of the authors writing style. Subscription Services Platforms like Kindle Unlimited or Scribd offer subscription-based access to a wide range of Wireline Operations Manual eBooks, including some popular titles.

FAQs About Wireline Operations Manual Books

What is a Wireline Operations Manual PDF? A PDF (Portable Document Format) is a file format developed by Adobe that

preserves the layout and formatting of a document, regardless of the software, hardware, or operating system used to view or print it. **How do I create a Wireline Operations Manual PDF?** There are several ways to create a PDF: Use software like Adobe Acrobat, Microsoft Word, or Google Docs, which often have built-in PDF creation tools. Print to PDF: Many applications and operating systems have a "Print to PDF" option that allows you to save a document as a PDF file instead of printing it on paper. Online converters: There are various online tools that can convert different file types to PDF. **How do I edit a Wireline Operations Manual PDF?** Editing a PDF can be done with software like Adobe Acrobat, which allows direct editing of text, images, and other elements within the PDF. Some free tools, like PDFescape or Smallpdf, also offer basic editing capabilities. **How do I convert a Wireline Operations Manual PDF to another file format?** There are multiple ways to convert a PDF to another format: Use online converters like Smallpdf, Zamzar, or Adobe Acrobat's export feature to convert PDFs to formats like Word, Excel, JPEG, etc. Software like Adobe Acrobat, Microsoft Word, or other PDF editors may have options to export or save PDFs in different formats. **How do I password-protect a Wireline Operations Manual PDF?** Most PDF editing software allows you to add password protection. In Adobe Acrobat, for instance, you can go to "File" -> "Properties" -> "Security" to set a password to restrict access or editing capabilities. Are there any free alternatives to Adobe Acrobat for working with PDFs? Yes, there are many free alternatives for working with PDFs, such as: LibreOffice: Offers PDF editing features. PDFsam: Allows splitting, merging, and editing PDFs. Foxit Reader: Provides basic PDF viewing and editing capabilities. How do I compress a PDF file? You can use online tools like Smallpdf, ILovePDF, or desktop software like Adobe Acrobat to compress PDF files without significant quality loss. Compression reduces the file size, making it easier to share and download. Can I fill out forms in a PDF file? Yes, most PDF viewers/editors like Adobe Acrobat, Preview (on Mac), or various online tools allow you to fill out forms in PDF files by selecting text fields and entering information. Are there any restrictions when working with PDFs? Some PDFs might have restrictions set by their creator, such as password protection, editing restrictions, or print restrictions. Breaking these restrictions might require specific software or tools, which may or may not be legal depending on the circumstances and local laws.

Find Wireline Operations Manual :

[startup funding step by step for startups 95-210 startup funding](#)

States 95-2473 digital marketing tips for startups 95-1402 digital

[apps USA 95-1574 NFT marketplace apps USA 95-165 NFT marketplace apps](#)

startups 95-1684 chatbot development guide USA 95-1253 chatbot

95-1041 real estate investing tips America 95-912 real estate investing

for small business 95-1285 smart home tech review for startups 95-1585

~~beginners America 95-2721 content marketing for beginners America~~
for creators 95-1749 budget travel tips for entrepreneurs 95-354 budget
95-1150 NFT marketplace ideas USA 95-1937 NFT marketplace ideas USA
~~ideas USA 95-2424 cybersecurity ideas United States 95-1486~~
blueprint USA 95-2898 cybersecurity blueprint for startups 95-318
~~95-822 weight loss step by step United States 95-1666 weight loss step~~
~~parenting tips case study USA 95-1215 parenting tips case study USA~~
~~study for creators 95-2576 passive income ideas checklist America~~
~~marketing guide for startups 95-164 TikTok marketing ideas United States~~

Wireline Operations Manual :

fika kaffeetratsch auf schwedisch edeka - Oct 26 2022

web sep 28 2016 die schwedische kaffeepause steht für geselligkeit innehalten und bewussten genuss ganz im gegensatz zum schnellen coffee to go den man auf dem

steigere die produktivität mit fika der kaffeepause auf - Jul 03 2023

web lebensmittelwissen trends fika fika pause mit zimtschnecke und kaffee machen sie es wie die schweden eine pause und ein kleiner tratsch mit freunden oder kollegen

schwedische fika brauch der geselligen kaffeepause - Oct 06 2023

web feb 4 2020 das wort fika stammt aus dem 19 jahrhundert bei dem schwedischen wort für kaffee kaffi wurde wie es damals üblich war die silben vertauscht durch

kaffeepause auf schwedisch bzfe - Jan 29 2023

web diese tradition einer ausgedehnten kaffeepause mit einer kleinen zwischenmahlzeit ist ein zentraler bestandteil der schwedischen kultur gehören die schweden doch zu den

die schwedische fika was ist das roastmarket magazin - Sep 24 2022

web feb 27 2021 mit kaffee freundschaft und einem biss zum essen in schweden ist fika einfach so viel mehr als nur eine kaffeepause der text im design lautet es gibt immer

fika das kleine glück während der kaffeepause in schweden - Mar 19 2022

fika die schwedische kunst eine pause zu machen - Nov 26 2022

web mar 18 2022 ein geheimmittel des schwedischen glücks findet sich in der täglichen kaffeepause am arbeitsplatz ein

deutscher und eine schwedin gehen in ein café um

die perfekte fika kaffeepause auf schwedisch - May 01 2023

web may 23 2022 die schwedische tradition der kaffeepausen zusammen mit den liebsten kollegen oder bekannten ist nicht nur beliebt sondern auch sehr verbreitet zusammen

fika die geliebte schwedische kaffeepause lecker - Feb 15 2022

die schwedische leidenschaft was ist fika einfachschweden de - Jun 21 2022

fika die schwedische kaffeepause skandi - Sep 05 2023

web fika wird die kaffeepause in schweden genannt sie wird mit etwas gebäck am vor und nachmittag abgehalten neben kaffee sind bei der fika auch andere getränke

schwedische fika brauch der geselligen kaffeepause visit - Dec 28 2022

web eine schwedische fika funktioniert nur wenn man das richtige schweden rezept und das passende buch kaffeepause auf schwedisch fika parat hat gemütlich

fika wikipedia - May 21 2022

fika traditionelle kaffeepause in schweden - Feb 27 2023

web oct 18 2017 werbung woraus besteht ein fika traditionell gehört zum fika kaffee rate mal warum die schweden eine der größten kaffeetrinker nation ist bist du kein

fika kaffeepause auf die schwedische art - Aug 04 2023

web der fika brauch also kaffee trinken und kuchen essen mit freunden ist so schwedisch wie abba du denkst was ist denn so besonders an einer tasse kaffee es ist viel

fika bedeutung und tipps für die schwedische - Jun 02 2023

web ein büro ohne kaffeemaschine und sitzplätzen für die schwedische fika die kaffeepause zum reden und entspannen gleicht in schweden einem sakrileg dabei

schwedische fika was genau ist das lebensabenteurer de - Jan 17 2022

fika so funktioniert es ikea deutschland - Nov 14 2021

kaffeepause schwedische fika zu hause - Aug 24 2022

web mar 18 2022 er gilt als einer der führenden experten für die schwedische essenskultur und geschichte die fika sei eine gemeinschaftliche arbeitspause die aus
fika das kleine pausen glück in schweden - Dec 16 2021

machen sie ihr fika wie die schweden västsverige - Jul 23 2022

web aug 26 2016 das konzept der kaffeepause fika ist in schweden so selbstverständlich wie die sauna in finnland oder sandwiches in großbritannien und in den usa jeder

kaffeepause auf schwedisch fika amazon de - Mar 31 2023

web essen und trinken machen sie ihr fika wie die schweden zunächst einmal müssen wir den begriff fika erklären ganz banal übersetzt ist ein fika eine kaffeepause mit

kaffeepause auf schwedisch fika zs - Apr 19 2022

mitsubishi 4g92 engine mivec non mivec specs and turbo - Mar 12 2023

web jun 11 2020 mitsubishi 4g92 engine reliability problems and repair we continue to look at the mitsubishi 4g9 family and i suggest taking a look at the 4g92 engine and the difference between 4g92 and 4g93 for instance in 1991 engineers created a 1 6 liter engine based on 4g93

mitsubishi 4g92 ecu pinout - Dec 29 2021

web mitsubishi engine ecu pinout dev michelemazzucco it orientation sutd edu sg 2 8 mitsubishi 4g92 ecu pinout october 23rd 2018 download mitsubishi 4g92 mivec ecu pinout pdf file for october 10th 2018 mitsubishi mivec ecu wiring diagram download mitsubishi 4g92 mivec ecu pinout pdf file for free get many pdf download

mitsubishi 4g92 engine ecu diagram copy las gnome - Sep 06 2022

web jan 2 2023 mitsubishi 4g92 engine ecu diagram 1 1 downloaded from las gnome org on january 2 2023 by guest
mitsubishi 4g92 engine ecu diagram

mitsubishi 4g92 ecu pinout - Jun 03 2022

web jul 27 2023 information mitsubishi 4g92 mivec year 1997 ecu pinout diagrams pdf mitsubishi 4g92 sohc turbo engine workshop manual 4g9 e w mitsubishi motors kiev ua mitsubishi eprom ecu info mirage performance 4g92 mivec ecu wiring diagram pdf pdf download free 4g93 ecu pinout pdf blog inflowtravel com 4g92

mitsubishi 4g9 engine wikipedia - May 14 2023

web 4g92 the 4g92 displaces 1 6 l 1 597 cc it first appeared in the late 1991 japanese spec mirage rs and super r in dohc form the 4g92 is basically a version of the 4g91 with the bore increased to 81 mm 3 19 in in the original dohc 16v form it

need engine diagram fixya - Oct 07 2022

web 1168 answers source need the 2005 mitsubishi oulander 2 4 lts mivec hello lamadrid here is the diagram i hope it is large enough for you to see there you are thank you for using fixya kl posted on nov 29 2010 add your answer video photos related questions 0 helpful 1 answer need a ecu pin out diagram for a 4zzfe please is

mitsubishi 4g92 ecu pinout - Jul 04 2022

web jul 24 2023 engine management mitsubishi 4g92 ecu pinout pdf storage googleapis com welcome to 4g92 mivec blog mivecblog com mitsubishi 4g92 4g93 4g94 service manual malaysian petrolheads the legend mitsubishi 4g92 wiring diagram fixya october 6th 2018 1 answer i am looking for an ecu for 1999

mitsubishi 4g92 engine ecu diagram copy moodle morgantl - Feb 28 2022

web 2 mitsubishi 4g92 engine ecu diagram 2021 03 31 distributions special adaptations and other characteristics of a wide array of marine taxa bringing together the most recent information available in a single volume authors joseph j torres and thomas g bailey cover the cnidaria stinging jellies the

mitsubishi 4g92 engine ecu diagram pdf copy - Apr 01 2022

web aug 9 2023 engines is greatly improved by balancing and blueprinting dedicated enthusiasts and professional racers balance and blueprint their engines because the engines will produce more horsepower and torque more efficiently use fuel run cooler and last longer in this book expert engine builder and veteran

mitsubishi 4g92 engine ecu diagram copy wp publish - Aug 05 2022

web mitsubishi 4g92 engine ecu diagram a literary masterpiece penned with a renowned author readers attempt a transformative journey unlocking the secrets and untapped potential embedded within each word in this evaluation we shall explore the book is core themes assess its distinct writing

mitsubishi 4g9 user manual pdf download manualslib - Jul 16 2023

web view and download mitsubishi 4g9 user manual online 4g9 series 4g9 engine pdf manual download also for 4g92 sohc 4g92 dohc mivec 4g93 sohc 4g93 dohc 4g93 dohc gdi 4g94 sohc 4g94 dohc gdi

mitsubishi 4g92 ecu wiring diagram kyushu geibun jp - Jan 30 2022

web mitsubishi 4g92 ecu wiring diagram online database available 24 7 cost effective approach that saves you time and money locate the correct wiring diagram for the ecu and system your vehicle is operating from the information in the tables below

mitsubishi 4g92 engine ecu diagram pdf blueskywildlife - Nov 08 2022

web aug 2 2023 mitsubishi 4g92 engine ecu diagram pdf below industrial organization lynne pepall 2014 01 28 pepall s industrial organization contemporary theory and empirical applications 5th edition offers an accessible text in which topics

are organized in a manner that motivates and facilitates progression from one chapter to the next

mitsubishi 4g92 ecu pinout home rightster com - Feb 11 2023

web october 1st 2018 4g92 ecu diagram 4g92 ecu wiring diagram pdf download retete dieteticenet 4g92 ecu wiring diagram perfectpower wiring diagrams for mitsubishi lancer 16 wiring diagrams for mitsubishi 4g92 mivec year 1997 ecu pinout diagrams pdf

mitsubishi 4g92 sohc ecu diagram fixya - Apr 13 2023

web oct 28 2012 the ecu is located under the stereo remove the two interior flaps carpet strips that cover the shifter are the ecu has 3 large electrical plugs remove these and unbolt the 3 10mm bolts to get the ecu out i have owned and replaced three mitsubishi vehicles with bad ecu one of which is my son's 93 dodge stealth with 3.0 sohc

pdf mitsubishi mivec e c u diagram engine - Aug 17 2023

web 4g92 mivec ecu wiring diagram pdf free download here mitsubishi mivec e c u diagram morediagram.com docs mitsubishi mivec e c u diagram pdf mitsubishi mivec ecu wiring diagram download mitsubishi 4g92 mivec ecu pinout pdf file for free get many pdf ebooks from our online library related with

mitsubishi 4g92 ecu pinout shiny evanodell.com - Jan 10 2023

web mitsubishi 4g92 ecu pinout mitsubishi 4g92 ecu pinout engine workshop manual 4g9 e w mivec mitsubishi 4g92 wiring diagram fixya need ecu pinouts for 4g15 4g93 dsmtuners welcome to 4g92 mivec blog mivecblog.com mitsubishi engine ecu pinout dev michelemazzucco.it

mitsubishi 4g92 engine manual pdf pdf car manufacturers - Jun 15 2023

web mitsubishi 4g92 engine manual diagram ecu 4g92 sohc 4g92 sohc wiring diagram pdf sohc engine diagram diagram ecu mivec engine manual mitsubishi 4g92 workshop manual 4g92 mivec mitsubishi 4g92 1.6cc manual 4wd engine kosong for sale original from japan location kepong

mitsubishi 4g92 engine ecu diagram - May 02 2022

web performance mitsubishi 4g63t engines covers every system and component of the engine including the turbocharger system and engine management more than just a collection of tips and tricks this book includes a complete history of the engine and its evolution an identification guide and advice for choosing engine components and other

mitsubishi 4g92 ecu pinout affiliates mypthub - Dec 09 2022

web with confidence 4g92 ecu wiring diagram mivec 4g92 ecu wiring diagram reading is a hobby to open the knowledge windows besides it can provide the mitsubishi mitsubishi product 4g92 wiring diagram pdf outbrain mediafile outbrain id a023c4 outbrain mediafile mitsubishi based eprom ecus some useful links yahoo dsm ecu group dsmeecu

denso navigation repair manual - Feb 12 2022

web 2 denso navigation repair manual 2020 05 30 people and partners and problem solving readers looking to learn from toyota s lean systems will be provided with the inside knowledge they need to define the companies purpose and develop a long term philosophy create value streams with connected flow standardized work and level

denso navigation repair manual orientation sutd edu - Oct 23 2022

web denso navigation repair manual europe full online denso navigation repair manual denso navigation repair manual scanning for denso navigation repair manual full online do you really need this respository of denso denso navigation repair manual pdf free download here denso navigation system manual manualme

schematics for denso navigation radio fixya - Jan 26 2023

web try ebaymotors they have repair manuals on cd that are inexpensive and have electrical schematics as well as vacuum diagrams 15 00 20 00 read full answer

installation guides denso auto parts - Jun 30 2023

web installation guides searching for your installation guides in the denso part catalog is easy simply select the type of part you are looking for along with the year make model of your vehicle

automotive service parts and accessories denso - Aug 01 2023

web oct 26 2023 based on denso s expertise as a leading global supplier to all major automakers the company provides automotive service parts that contribute to safer and more fuel efficient driving and car accessories that

denso user manuals download manualslib - Oct 03 2023

web view download of more than 304 denso pdf user manuals service manuals operating guides barcode reader touch terminals user manuals operating guides specifications

denso navigation repair manual 2023 learn copyblogger - Aug 21 2022

web denso navigation repair manual a literary masterpiece that delves deep in to the significance of words and their effect on our lives published by a renowned author this captivating work takes readers

denso navigation repair manual minedit - Sep 02 2023

web if you re looking for the denso navigation repair manual you ve come to the right place if you have any questions about this free online manual don t hesitate to ask minedit down below for dmca requests please email dmca minedit com

denso navigation repair manual brb org uk - Jul 20 2022

web a detailed guide to maintenance repair covering of all parts of the car and engine including torque wrench settings emission control engine management fuel delivery cooling

denso sat nav workshop manual orientation sutd edu - Feb 24 2023

web navigation manual download owners manual pdf had been backuped as ford denso sat nav instructions denso electrical

mondeo st tdcu and denso ecu repair manual only afterwards lesson the paper denso ecu repair looking at the version on my sat nav and whats on the website

download aftermarket product information denso - Apr 28 2023

web denso aftermarket in europe provides documents with specific information about aftermarket products download our catalogues and manuals

denso user manuals - Sep 21 2022

web user manual instruction guides for denso devices user manual instruction guide for denso devices denso user manuals

denso corporation usermanual wiki denso bt01a users manual technical document for navigation ecu 2005 06 10 13bce users manual locking unlocking the doors 2005 04 29 bt0501a users manual users

introduction denso navigation repair manual pdf - May 30 2023

web list of file denso navigation repair manual page title 1 avionics navigation and flight control equipment repairer 2

navigation multiplexer general description operation and service manual 3 flight engineers manual 4 operator and organizational maintenance manual 5 index of technical publications 6 air weather service manual 7 manual of

ford denso navigation user manual pdf compact disc scribd - Dec 25 2022

web ford denso navigation user manual free download as pdf file pdf text file txt or view presentation slides online ford denso navigation user manual

toyota free open source software website denso global - May 18 2022

web navigation standard package option toyota multimedia 2022 model or later toyota jp prius phv prius navigation 2016 model or later toyota us prius prime prius navigation 2016 model or later lexus toyota navigation 2013 model or later display lexus toyota display 2015 model or later locator lexus toyota

denso navigation repair manual sentryselect investments info - Mar 16 2022

web login with facebook denso navigation repair manual fulltone fulldrive 2 mosfet manual owners manual for 1995 dodge caravan casio 5001 manual fei phenom manual officejet j6410 manual tw steel tw 125 manual

denso sat nav workshop manual orientation sutd edu sg - Nov 23 2022

web december 27th 2019 2008 honda pilot repair manual study guide for lead inspector kubota m8560 operators manual alat manual workbook 2009 denso sat nav workshop manual sda pathfinder guide activity manual solution manual statics beer 10th edition cisa exam review manual 2014 2017 toyota prius navigation manual earth moon and

repair service products services what we do denso - Mar 28 2023

web oct 26 2023 the denso group operates service centers all over the world based on three policies below offering products with services that satisfy customers and can be used safely and as promised ensuring that products can be repaired

precisely and promptly at a reasonable cost in case of failure

denso navigation repair manual testapi mobal com - Apr 16 2022

web land rover discovery series ii workshop manual 1999 2003 my control models and industrial manipulators culture and society in classical weimar 1775 1806 the jock in my dorm room john deere shop manual models 50 60 70 code of safe working practices for merchant seafarers denso navigation repair manual downloaded from

denso navigation repair manual cloud hpcareer - Jun 18 2022

web denso navigation repair manual dev studyin uk com denso navigation repair manual downloaded from cloud hpcareer net by guest adalynn ulises denso navigation repair manual jenniferbachdim com chevrolet buick gmc hummer 6 5 denso navigation radio break down and touchscreen repair 2007 2012 denso