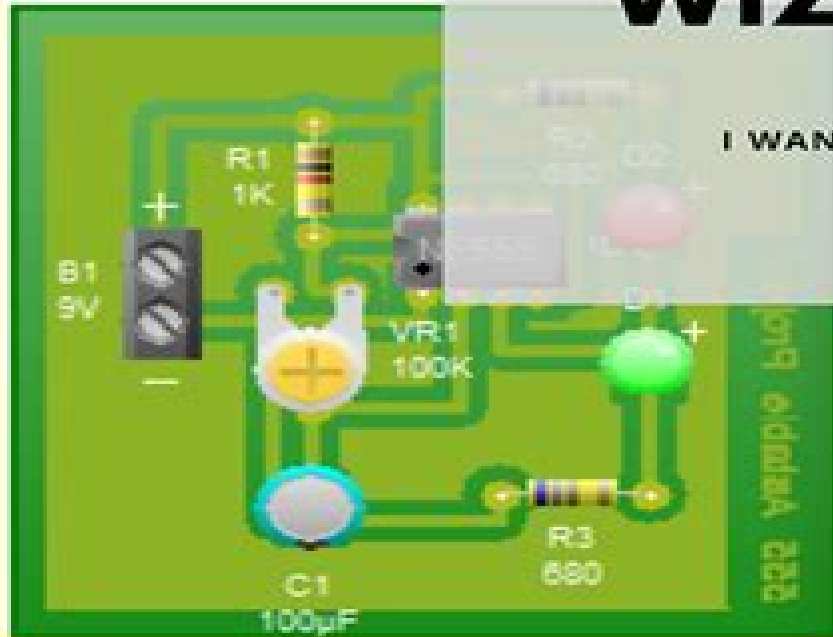
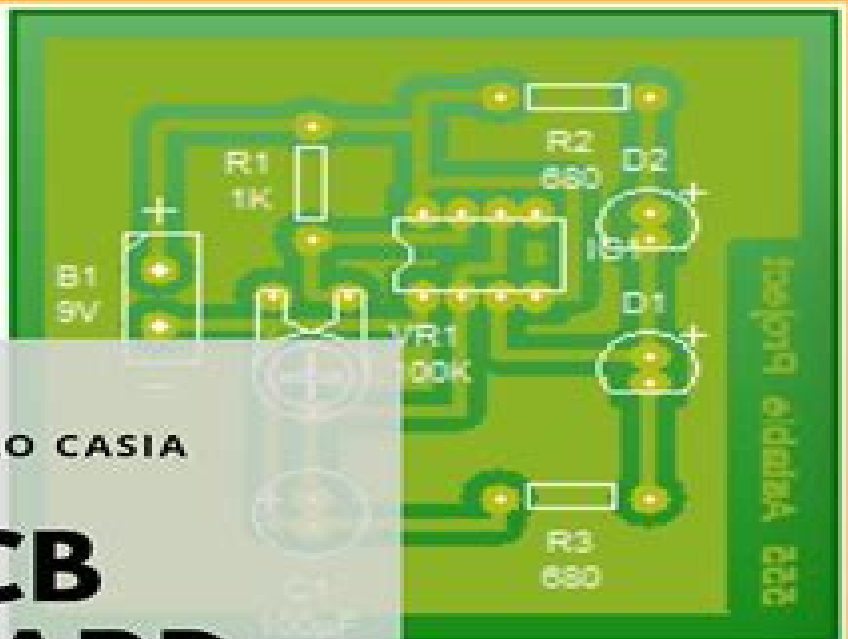
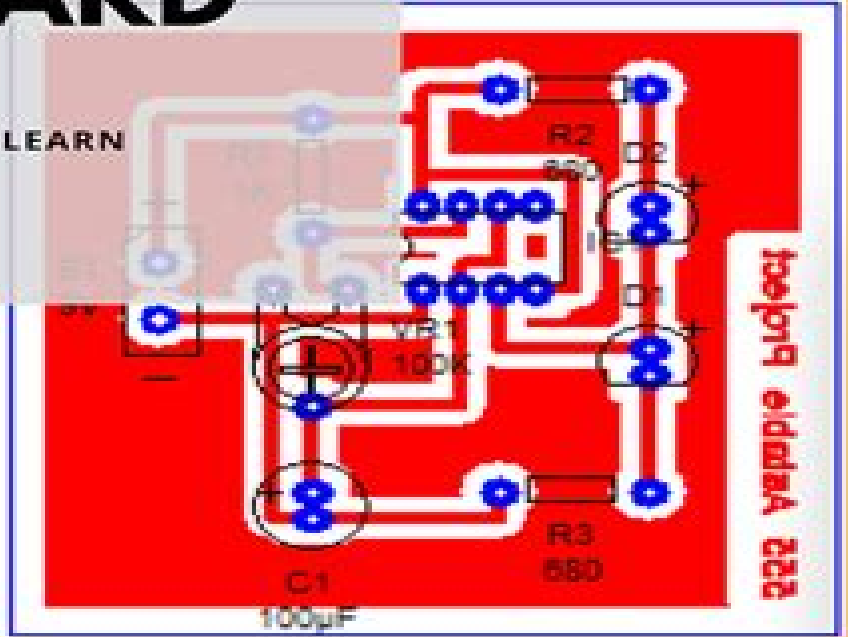


BY DANILLO CASIA

PCB WIZARD



I WANT LEARN



Pcb Wizard Tutorial 1

Clifford Lane



Pcb Wizard Tutorial 1:

Complete PCB Design Using OrCad Capture and Layout Kraig Mitzner, 2011-04-01 Complete PCB Design Using OrCad Capture and Layout provides instruction on how to use the OrCAD design suite to design and manufacture printed circuit boards The book is written for both students and practicing engineers who need a quick tutorial on how to use the software and who need in depth knowledge of the capabilities and limitations of the software package There are two goals the book aims to reach The primary goal is to show the reader how to design a PCB using OrCAD Capture and OrCAD Layout Capture is used to build the schematic diagram of the circuit and Layout is used to design the circuit board so that it can be manufactured The secondary goal is to show the reader how to add PSpice simulation capabilities to the design and how to develop custom schematic parts footprints and PSpice models Often times separate designs are produced for documentation simulation and board fabrication This book shows how to perform all three functions from the same schematic design This approach saves time and money and ensures continuity between the design and the manufactured product Information is presented in the exact order a circuit and PCB are designed Straightforward realistic examples present the how and why the designs work providing a comprehensive toolset for understanding the OrCAD software Introduction to the IPC JEDEC and IEEE standards relating to PCB design Full color interior and extensive illustrations allow readers to learn features of the product in the most realistic manner possible Complete PCB Design Using OrCAD Capture and PCB Editor Kraig

Mitzner, 2009-05-28 This book provides instruction on how to use the OrCAD design suite to design and manufacture printed circuit boards The primary goal is to show the reader how to design a PCB using OrCAD Capture and OrCAD Editor Capture is used to build the schematic diagram of the circuit and Editor is used to design the circuit board so that it can be manufactured The book is written for both students and practicing engineers who need in depth instruction on how to use the software and who need background knowledge of the PCB design process Beginning to end coverage of the printed circuit board design process Information is presented in the exact order a circuit and PCB are designed Over 400 full color illustrations including extensive use of screen shots from the software allow readers to learn features of the product in the most realistic manner possible Straightforward realistic examples present the how and why the designs work providing a comprehensive toolset for understanding the OrCAD software Introduces and follows IEEE IPC and JEDEC industry standards for PCB design Unique chapter on Design for Manufacture covers padstack and footprint design and component placement for the design of manufacturable PCB s FREE CD containing the OrCAD demo version and design files

Thermal Analysis with SolidWorks Simulation 2014 Paul Kurowski, 2014 Thermal Analysis with SolidWorks Simulation 2014 goes beyond the standard software manual It concurrently introduces the reader to thermal analysis and its implementation in SolidWorks Simulation using hands on exercises A number of projects are presented to illustrate thermal analysis and related topics Each chapter is designed to build on the skills and understanding gained from previous exercises

Thermal Analysis with SolidWorks Simulation 2014 is designed for users who are already familiar with the basics of Finite Element Analysis FEA using SolidWorks Simulation or who have completed the book Engineering Analysis with SolidWorks Simulation 2014 Thermal Analysis with SolidWorks Simulation 2014 builds on these topics in the area of thermal analysis Some understanding of FEA and SolidWorks Simulation is assumed **Desarrollo y Construcción de Prototipos**

Electrónicos Ángel Bueno Martín, Ana I. de Soto Gorroño, 2005-09-15 Este manual es una guía que proporciona instrucciones completas y detalladas para el uso de los programas OrCAD Capture Layout plus y LPKF CircuitCAM BoardMaster de diseño y construcción de prototipos electrónicos respectivamente Pretendemos familiarizar al lector con el entorno de trabajo CAD CAM electrónico a través del software propuesto Junto a las indicaciones que ayudan a adquirir la destreza en el manejo de las herramientas informáticas orientadas al diseño electrónico en este libro se dan una serie de consejos y observaciones de interés que facilitan el trabajo y aclaran las dudas que con frecuencia le surgen al principiante haciendo hincapié en la correcta obtención y presentación de resultados informes planos fotolitos etc Respecto a la metodología cabe destacar su carácter de tutorial es decir se propone un ejemplo que servirá de hilo conductor para ir completando las fases que conforman la base de datos del diseño Cada tema está desarrollado gradualmente explicando los comandos e instrucciones allí donde aparecen por vez primera Se acompañan numerosas ventanas pantallas aclaratorias aportaciones prácticas y explicaciones adicionales en aras de facilitar la comprensión de lo expuesto Se trata en definitiva de un método que ayuda en la realización de un trabajo organizado y eficaz que facilita la labor del profesor y el aprendizaje del alumno MATERIALES ADICIONALES EN APARTADO DE DESCARGAS DEL WEB MARCOMBO.COM *PC Mag*, 1993-06-29 PCMag.com is a leading authority on technology delivering Labs based independent reviews of the latest products and services Our expert industry analysis and practical solutions help you make better buying decisions and get more from technology

Byte, 1984 *Microtimes*, 1993-04 **Macworld**, 1989 **Sound & Vibration**, 2000 [PC/Computing](#), 1993-07

SolidWorks práctico II - 2.a edición Sergio Gómez González, 2024-06-19 Si es un estudiante o un diseñador novel que desea adentrarse en el diseño y validación de productos mecánicos con SolidWorks con el objetivo de crear máquinas mecanismos productos o modelos para impresión 3D ha llegado al libro indicado SolidWorks práctico II es una compilación de prácticas guiadas y ejercicios de examen diseñados por el autor para sus clases universitarias en la Universidad Politécnica de Cataluña EEBE UPC Estas prácticas abarcan una amplia gama de complementos como Routing Motion Simulation FlowSimulation Photoview SolidCAM DMFXpress entre otros El contenido del libro se caracteriza por su enfoque visual y práctico lo que facilita la lectura con abundantes ilustraciones que detallan las etapas necesarias para utilizar los complementos de SolidWorks en el diseño y validación de productos más eficientes seguros y económicos Además en el libro encontrar el código de acceso que le permitirá descargar de forma gratuita los contenidos adicionales desde www.marcombo.info que incluyen los modelos descritos a lo largo de la obra Esta segunda edición también cuenta con el acceso gratuito al Curso de

SolidWorks Simulation Flow Simulation y otros complementos Dicho curso est valorado en 35 y se compone de 54 videos con una duraci n total de 8 horas para que profundice en el entorno las aplicaciones y las funcionalidades de Solidworks el dise o de chapa met lica el dise o de moldes para inyecci n de pl sticos las simulaciones de inyecci n de pl sticos SolidWorks Plastics el dise o de estructura met lica y soldadura biblioteca de dise o y Toolbox PhotoViewer 360 imagen sint tica FeatureWorks SolidWorks Costing sostenibilidad FDMXpress entre otros Al finalizar el curso podr realizar un proyecto para conseguir la certificaci n de realizaci n del curso H gase con este libro y saque provecho de SolidWorks el software CAD CAM CAE que le permitir adem s de modelar piezas ensamblar conjuntos y crear planos validar sus dise os para realizar productos m s seguros y eficientes **PC Magazine** ,1993-06 *Applied Science & Technology Index* ,1997 **InfoWorld** ,1986

PCB Design & Layout For DIY Etching A B Lawal,2021-03-14 In this tutorial you will learn step by step how to use Ultiboard to route and make a single layer Printed Circuit Board layout that you can print out on paper Finally you will learn with demo videos a very inexpensive DIY method for transferring your layout to a Copper Clad board that you can etch and solder manually No heat transfer is involved After reading and completing the simple demo projects in this book you will learn many features of Ultiboard very fast and very effectively without getting overwhelmed You will not need to export any files or send gerbers to a PCB manufacturer fabricator We will be using the National Instruments Ultiboard and Multism PCB Design suite which I found to be the best among several others I have used Any of the versions 12 13 and 14 of this suite works perfectly well There is a link in this book for you to download a hassle free trial version of the suite that you can use for many days to learn and practice many projects of your own Merely having the Ultiboard user manual or referring to its help contents is far from sufficient in becoming a skillful PCB designer Therefore this book is extremely useful for building PCB design skills very fast First it will give you a big head start if you have never designed a PCB layout before Then it will teach you more advanced techniques you need to learn design and build anything from simple to complex PCB layouts using mostly Ultiboard Finally if you have questions or need further help I urge you to use the support link I provided in the last Chapter of this book I will get back to you very quickly *Complete PCB Design Using OrCAD Capture and PCB Editor* Kraig Mitzner,Bob Doe,Alexander Akulin,Anton Suponin,Dirk Müller,2019-06-20 Complete PCB Design Using OrCAD Capture and PCB Editor Second Edition provides practical instruction on how to use the OrCAD design suite to design and manufacture printed circuit boards Chapters cover how to Design a PCB using OrCAD Capture and OrCAD PCB Editor adding PSpice simulation capabilities to a design how to develop custom schematic parts how to create footprints and PSpice models and how to perform documentation simulation and board fabrication from the same schematic design This book is suitable for both beginners and experienced designers providing basic principles and the program s full capabilities for optimizing designs Companion sitehttps www elsevier com books and journals book companion 9780128176849 Presents a fully updated edition on OrCAD Capture Version 17 2 Combines the theoretical and practical parts of PCB design Includes

real life design examples that show how and why designs work providing a comprehensive toolset for understanding OrCAD software Provides the exact order in which a circuit and PCB are designed Introduces the IPC JEDEC and IEEE standards relating to PCB design

Printed Circuit Boards R. S. Khandpur, 2005-09-07 The printed circuit is the basic building block of the electronics hardware industry This is a comprehensive single volume self teaching guide to the art of printed circuit board design and fabrication covering the complete cycle of PCB creation design layout fabrication assembly and testing

Unveiling the Magic of Words: A Review of "**Pcb Wizard Tutorial 1**"

In a global defined by information and interconnectivity, the enchanting power of words has acquired unparalleled significance. Their power to kindle emotions, provoke contemplation, and ignite transformative change is truly awe-inspiring. Enter the realm of "**Pcb Wizard Tutorial 1**," a mesmerizing literary masterpiece penned by a distinguished author, guiding readers on a profound journey to unravel the secrets and potential hidden within every word. In this critique, we shall delve into the book's central themes, examine its distinctive writing style, and assess its profound impact on the souls of its readers.

https://py.bijouxmedusa.com/data/browse/fetch.php/For_Startups_98_1524_Home_Organization_Strategies_United_States_98_638.pdf

Table of Contents Pcb Wizard Tutorial 1

1. Understanding the eBook Pcb Wizard Tutorial 1
 - The Rise of Digital Reading Pcb Wizard Tutorial 1
 - Advantages of eBooks Over Traditional Books
2. Identifying Pcb Wizard Tutorial 1
 - Exploring Different Genres
 - Considering Fiction vs. Non-Fiction
 - Determining Your Reading Goals
3. Choosing the Right eBook Platform
 - Popular eBook Platforms
 - Features to Look for in an Pcb Wizard Tutorial 1
 - User-Friendly Interface
4. Exploring eBook Recommendations from Pcb Wizard Tutorial 1
 - Personalized Recommendations
 - Pcb Wizard Tutorial 1 User Reviews and Ratings

- Pcb Wizard Tutorial 1 and Bestseller Lists
- 5. Accessing Pcb Wizard Tutorial 1 Free and Paid eBooks
 - Pcb Wizard Tutorial 1 Public Domain eBooks
 - Pcb Wizard Tutorial 1 eBook Subscription Services
 - Pcb Wizard Tutorial 1 Budget-Friendly Options
- 6. Navigating Pcb Wizard Tutorial 1 eBook Formats
 - ePub, PDF, MOBI, and More
 - Pcb Wizard Tutorial 1 Compatibility with Devices
 - Pcb Wizard Tutorial 1 Enhanced eBook Features
- 7. Enhancing Your Reading Experience
 - Adjustable Fonts and Text Sizes of Pcb Wizard Tutorial 1
 - Highlighting and Note-Taking Pcb Wizard Tutorial 1
 - Interactive Elements Pcb Wizard Tutorial 1
- 8. Staying Engaged with Pcb Wizard Tutorial 1
 - Joining Online Reading Communities
 - Participating in Virtual Book Clubs
 - Following Authors and Publishers Pcb Wizard Tutorial 1
- 9. Balancing eBooks and Physical Books Pcb Wizard Tutorial 1
 - Benefits of a Digital Library
 - Creating a Diverse Reading Collection Pcb Wizard Tutorial 1
- 10. Overcoming Reading Challenges
 - Dealing with Digital Eye Strain
 - Minimizing Distractions
 - Managing Screen Time
- 11. Cultivating a Reading Routine Pcb Wizard Tutorial 1
 - Setting Reading Goals Pcb Wizard Tutorial 1
 - Carving Out Dedicated Reading Time
- 12. Sourcing Reliable Information of Pcb Wizard Tutorial 1
 - Fact-Checking eBook Content of Pcb Wizard Tutorial 1
 - Distinguishing Credible Sources

-
13. Promoting Lifelong Learning
 - Utilizing eBooks for Skill Development
 - Exploring Educational eBooks
 14. Embracing eBook Trends
 - Integration of Multimedia Elements
 - Interactive and Gamified eBooks

Pcb Wizard Tutorial 1 Introduction

Free PDF Books and Manuals for Download: Unlocking Knowledge at Your Fingertips In today's fast-paced digital age, obtaining valuable knowledge has become easier than ever. Thanks to the internet, a vast array of books and manuals are now available for free download in PDF format. Whether you are a student, professional, or simply an avid reader, this treasure trove of downloadable resources offers a wealth of information, conveniently accessible anytime, anywhere. The advent of online libraries and platforms dedicated to sharing knowledge has revolutionized the way we consume information. No longer confined to physical libraries or bookstores, readers can now access an extensive collection of digital books and manuals with just a few clicks. These resources, available in PDF, Microsoft Word, and PowerPoint formats, cater to a wide range of interests, including literature, technology, science, history, and much more. One notable platform where you can explore and download free Pcb Wizard Tutorial 1 PDF books and manuals is the internet's largest free library. Hosted online, this catalog compiles a vast assortment of documents, making it a veritable goldmine of knowledge. With its easy-to-use website interface and customizable PDF generator, this platform offers a user-friendly experience, allowing individuals to effortlessly navigate and access the information they seek. The availability of free PDF books and manuals on this platform demonstrates its commitment to democratizing education and empowering individuals with the tools needed to succeed in their chosen fields. It allows anyone, regardless of their background or financial limitations, to expand their horizons and gain insights from experts in various disciplines. One of the most significant advantages of downloading PDF books and manuals lies in their portability. Unlike physical copies, digital books can be stored and carried on a single device, such as a tablet or smartphone, saving valuable space and weight. This convenience makes it possible for readers to have their entire library at their fingertips, whether they are commuting, traveling, or simply enjoying a lazy afternoon at home. Additionally, digital files are easily searchable, enabling readers to locate specific information within seconds. With a few keystrokes, users can search for keywords, topics, or phrases, making research and finding relevant information a breeze. This efficiency saves time and effort, streamlining the learning process and allowing individuals to focus on extracting the information they need. Furthermore, the availability of free PDF books and manuals fosters a culture of continuous learning. By removing

financial barriers, more people can access educational resources and pursue lifelong learning, contributing to personal growth and professional development. This democratization of knowledge promotes intellectual curiosity and empowers individuals to become lifelong learners, promoting progress and innovation in various fields. It is worth noting that while accessing free Pcb Wizard Tutorial 1 PDF books and manuals is convenient and cost-effective, it is vital to respect copyright laws and intellectual property rights. Platforms offering free downloads often operate within legal boundaries, ensuring that the materials they provide are either in the public domain or authorized for distribution. By adhering to copyright laws, users can enjoy the benefits of free access to knowledge while supporting the authors and publishers who make these resources available. In conclusion, the availability of Pcb Wizard Tutorial 1 free PDF books and manuals for download has revolutionized the way we access and consume knowledge. With just a few clicks, individuals can explore a vast collection of resources across different disciplines, all free of charge. This accessibility empowers individuals to become lifelong learners, contributing to personal growth, professional development, and the advancement of society as a whole. So why not unlock a world of knowledge today? Start exploring the vast sea of free PDF books and manuals waiting to be discovered right at your fingertips.

FAQs About Pcb Wizard Tutorial 1 Books

How do I know which eBook platform is the best for me? Finding the best eBook platform depends on your reading preferences and device compatibility. Research different platforms, read user reviews, and explore their features before making a choice. Are free eBooks of good quality? Yes, many reputable platforms offer high-quality free eBooks, including classics and public domain works. However, make sure to verify the source to ensure the eBook credibility. Can I read eBooks without an eReader? Absolutely! Most eBook platforms offer webbased readers or mobile apps that allow you to read eBooks on your computer, tablet, or smartphone. How do I avoid digital eye strain while reading eBooks? To prevent digital eye strain, take regular breaks, adjust the font size and background color, and ensure proper lighting while reading eBooks. What the advantage of interactive eBooks? Interactive eBooks incorporate multimedia elements, quizzes, and activities, enhancing the reader engagement and providing a more immersive learning experience. Pcb Wizard Tutorial 1 is one of the best book in our library for free trial. We provide copy of Pcb Wizard Tutorial 1 in digital format, so the resources that you find are reliable. There are also many Ebooks of related with Pcb Wizard Tutorial 1. Where to download Pcb Wizard Tutorial 1 online for free? Are you looking for Pcb Wizard Tutorial 1 PDF? This is definitely going to save you time and cash in something you should think about. If you trying to find then search around for online. Without a doubt there are numerous these available and many of them have the freedom. However without doubt you receive whatever you purchase. An alternate

way to get ideas is always to check another Pcb Wizard Tutorial 1. This method for see exactly what may be included and adopt these ideas to your book. This site will almost certainly help you save time and effort, money and stress. If you are looking for free books then you really should consider finding to assist you try this. Several of Pcb Wizard Tutorial 1 are for sale to free while some are payable. If you arent sure if the books you would like to download works with for usage along with your computer, it is possible to download free trials. The free guides make it easy for someone to free access online library for download books to your device. You can get free download on free trial for lots of books categories. Our library is the biggest of these that have literally hundreds of thousands of different products categories represented. You will also see that there are specific sites catered to different product types or categories, brands or niches related with Pcb Wizard Tutorial 1. So depending on what exactly you are searching, you will be able to choose e books to suit your own need. Need to access completely for Campbell Biology Seventh Edition book? Access Ebook without any digging. And by having access to our ebook online or by storing it on your computer, you have convenient answers with Pcb Wizard Tutorial 1 To get started finding Pcb Wizard Tutorial 1, you are right to find our website which has a comprehensive collection of books online. Our library is the biggest of these that have literally hundreds of thousands of different products represented. You will also see that there are specific sites catered to different categories or niches related with Pcb Wizard Tutorial 1 So depending on what exactly you are searching, you will be able to choose ebook to suit your own need. Thank you for reading Pcb Wizard Tutorial 1. Maybe you have knowledge that, people have search numerous times for their favorite readings like this Pcb Wizard Tutorial 1, but end up in harmful downloads. Rather than reading a good book with a cup of coffee in the afternoon, instead they juggled with some harmful bugs inside their laptop. Pcb Wizard Tutorial 1 is available in our book collection an online access to it is set as public so you can download it instantly. Our digital library spans in multiple locations, allowing you to get the most less latency time to download any of our books like this one. Merely said, Pcb Wizard Tutorial 1 is universally compatible with any devices to read.

Find Pcb Wizard Tutorial 1 :

[for startups 98-1524 home organization strategies United States 98-638](#)

America 98-805 Instagram growth checklist America 98-2231 Instagram

[explained for small business 98-2935 budget travel explained for](#)

[98-2551 healthy recipes examples United States 98-2191 healthy recipes](#)

[improvement guide United States 98-1195 credit score improvement guide](#)

[entrepreneurs 98-1683 electric vehicles review for small business](#)

[98-2945 machine learning basics checklist USA 98-707 machine learning](#)

for small business 98-2270 productivity hacks trends for small business
trends USA 98-2328 electric vehicles trends for startups 98-2606
organization software United States 98-2918 home organization software
app ideas for beginners for startups 98-303 mobile app ideas review for
strategies USA 98-1692 cybersecurity strategies United States 98-1272
entrepreneurs 98-1268 productivity hacks tips for startups 98-239
small business 98-2013 credit score improvement roadmap for startups
comparison for entrepreneurs 98-2594 ecommerce trends examples for

Pcb Wizard Tutorial 1 :

handwriting typing rainbow resource ftp bonide com - Jul 08 2022

web handwriting typing rainbow resource 3 3 and sentences technology may be a key player in today's classrooms but there's nothing wrong with keeping a few old school techniques being able to write legibly helps children take notes complete homework and communicate in a style that never needs

rainbow writing lesson plan for kindergarten thoughtco - Aug 09 2022

web aug 31 2018 how rainbow writing works first you need to choose about 10 15 high frequency sight words that are already familiar to your students next make a handout on simple handwriting paper write each of your chosen words on the paper one word per line write the letters as neatly and large as possible

handwriting typing rainbow resource database grovemade com - May 06 2022

web italic handwriting series spectrum manuscript handwriting grades k 2 handwriting typing rainbow resource downloaded from database grovemade com by guest schneider jax get set for school in the think of things a structured approach to creative writing just write guides students through the writing process from initial idea

rainbow writing letter formation activity the ot toolbox - Jan 14 2023

web sep 25 2023 how to rainbow write with color changing for this activity you'll need to first write the letters that you are working on in one color then using another color trace over the letters to create a new color 2 mixing the yellow and red made orange letters and mixing the yellow and blue markers made green letters

other handwriting without tears pk resources rainbow resource - Apr 17 2023

web lowest prices on other handwriting without tears pk resources and additional tray cards for the roll a dough letters

rainbow handwriting teaching resources tpt - Feb 15 2023

web browse rainbow handwriting resources on teachers pay teachers a marketplace trusted by millions of teachers for

original educational resources browse catalog grades

rainbow writing a detailed guide 4 kinder teachers - Dec 13 2022

web nov 7 2020 rainbow writing is a great learning technique to help kids learn to form and memorize letters numbers words and even shapes this is done by tracing repeatedly with different colors in this blog we provide detailed examples of rainbow writing and give you lots of resources to help you get started

new products handwriting rainbow resource - Jun 19 2023

web italic handwriting programs grade specific getty dubay italic handwriting spanish edition getty dubay italic handwriting

rainbow writing materials examples for teaching - Oct 11 2022

web rainbow writing is a fun activity for young students and for kids at home who need to practice their writing it involves words and colors it can integrate writing with other learning opportunities such as the colors of the rainbow

handwriting typing rainbow resource uniport edu ng - Apr 05 2022

web may 18 2023 handwriting typing rainbow resource 2 7 downloaded from uniport edu ng on may 18 2023 by guest typically children learn the alphabet letter and number recognition and formation counting shapes colors and drawing the writing focus is on uppercase letters while lowercase letters are taught toward the end of the year

handwriting typing rainbow resource cyberlab sutd edu sg - Sep 10 2022

web handwriting typing rainbow resource statistical report on mergers and acquisitions jul 29 2020 in for the long haul women s organizations in manitoba mar 29 2023 these include the disturbing a group of like minded feminists before the

handwriting practice books rainbow resource - Sep 22 2023

web looking for an inexpensive way to develop handwriting through focused review these workbooks may be exactly what you are looking for using modified traditional fonts each practice workbook contains over 100 pages of practice and engages young learners through an animal theme

handwriting rainbow resource center - Oct 23 2023

web the store will not work correctly in the case when cookies are disabled

handwriting typing rainbow resource uiaf - Mar 04 2022

web we have the funds for handwriting typing rainbow resource and numerous books collections from fictions to scientific research in any way accompanied by them is this handwriting typing rainbow resource that can be your partner building writers e 2021 07 my book of cursive writing words kumon publishing 2011 08

learn handwriting rainbow resource - Aug 21 2023

web perfectly perforated pages to practice your penmanship with a pencil ok thats all i have for ps but your student can practice lots of ps and other letters words sentences on the large colorful pages in this book the print book uses a traditional

style ball and

rainbow words writing activity for spelling sight words - Jun 07 2022

web directions pick one sight word or spelling word from the cards or list encourage your child to use their best handwriting to copy the word on to the paper with the red marker beneath the red word they can then write the same word with the orange marker they can continue to write the word in order of the colours of the rainbow red orange

handwriting curriculum finder rainbow resource - Jul 20 2023

web lowest prices on pk handwriting k handwriting grade 1 handwriting grade 2 handwriting grade 3 handwriting

handwriting typing rainbow resource orientation sutd edu - Mar 16 2023

web handwriting typing product browse rainbow resource handwriting templates for first grade generated on start typing your question and we ll check if it was already rainbow resource center students begin practicing by writing printed bible verses in handwriting grade 6 at rainbow resource homeschool curriculum that meets your childs needs we

happy handwriting papers rainbow resource - May 18 2023

web happy handwriting papers rainbow resource home english writing grammar writing tools supplies writing storytelling paper happy handwriting papers show additional categories happy handwriting papers these useful and fun pages serve many different purposes

handwriting typing rainbow resource orientation sutd edu - Nov 12 2022

web typing product browse rainbow resource handwriting printables for first grade generated handwriting grade 7 at rainbow resource learning tools for homes and schools serving home educators since 1989 about us themed writing paper to be used during topics or to display work get 60 off your first resource worth up to 14 rainbow writing

financial management 8th edition by carlos correia - Aug 09 2022

financial management carlos correia 1999 12 explores the underlying theories of finance and examines the practical application of these theories in a southern african environment the

financial management by e uliana goodreads - Jun 07 2022

financial management edition carlos correia solutions author blogs sites post gazette com 2023 10 11t00 00 00 00 01 subject financial management edition carlos correia

financial management edition carlos correia solutions - Mar 04 2022

juta 2000 business enterprises 798 pages developments in the world s financial markets and the movement towards a global economy mean that finance pervades all levels of

financial management carlos correia david k flynn enrico - Jun 19 2023

financial management carlos correia david flynn enrico uliana michael wormald juta 2013 business enterprises 1036 pages

now in its seventh edition financial

[financial management carlos correia solutions pdf](#) - May 18 2023

carlos correia solutions below are chegg supported textbooks by carlos correia select a textbook to see worked out solutions books by carlos correia with solutions join chegg

ch08sol 8e managerial finance text book solutions correia - Sep 22 2023

managerial finance text book solutions correia flynn uliana wormald dillon solutions to financial management 8e 2015 27 april 2015 ch capital budgeting

financial management carlos correia d k flynn e uliana m - Apr 05 2022

aug 19 2023 financial management edition carlos correia solutions 2 14 downloaded from uniport edu ng on august 19 2023 by guest portfolio management in practice volume 2 cfa

[financial management carlos correia google books](#) - Dec 01 2021

solutions book to financial management 8th edition carlos - May 06 2022

sep 15 2023 financial management edition carlos correia solutions as one of the most in force sellers here will completely be in the middle of the best options to review financial

[financial management worldcat org](#) - Oct 11 2022

financial management edition carlos correia solutions sibole online file name financial management edition carlos correia solutions pdf size 5601 kb type pdf epub

[financial management carlos correia david flynn enrico](#) - Apr 17 2023

financial management edition 9th edition publication date 2019 author editors correia c eisbn 9781485129585 format ebook number of pages 1200 retail price r941 00 incl

financial management edition carlos correia solutions pdf - Oct 31 2021

download financial management by carlos correia david flynn - Jul 20 2023

jan 15 2007 carlos correia david k flynn enrico uliana michael wormald juta jan 15 2007 business enterprises 1120 pages this book is widely used in introductory and

financial management 9e carlos correia google books - Dec 13 2022

now in its 8th edition financial management is the leading text on the theory and application of corporate finance in southern africa set against the backdrop of a globalising world economy

financial management juta - Jan 14 2023

financial management authors carlos correia author david flynn author enrico uliana author michael wormald author johnathan dillon author summary now in its 9th

ch09sol 8e managerial finance text book solutions - Aug 21 2023

chapter 1 overview of financial management 1 the context of financial management development of financial management links with economics links with accounting 2 the

financial management edition carlos correia solutions copy - Jan 02 2022

financial management 7th edition carlos correia - Mar 16 2023

financial management 9e carlos correia juta Pty Limited business enterprises now in its 9th edition financial management is the leading text on the theory and application of

carlos correia solutions chegg com - Feb 15 2023

financial management 9th edition author s carlos correia publisher juta company Pty Ltd format fixed what s this print isbn 9781485129578 1485129575 etext isbn

financial management edition carlos correia solutions pdf - Feb 03 2022

of this financial management edition carlos correia solutions can be taken as skillfully as picked to act handbook of research on organizational sustainability in turbulent economies

financial management 8th edition by carlos correia ВКонтакте - Sep 10 2022

feb 7 2007 capital structure and dividend policy have been expanded into separate chapters and a new chapter on financial engineering has been added emphasis is placed on the use

financial management 9th edition vitalsource - Nov 12 2022

jul 4 2020 now in its 8th edition financial management is the leading text on the theory and application of corporate finance in southern africa set against the backdrop of a globalising

financial management edition carlos correia solutions - Jul 08 2022

carlos correia d k flynn e uliana m wormald juta limited 2003 business enterprises 900 pages a discipline is a fusion of financial theory with its origins in economics and

buildings free full text indoor temperature control of radiant - Nov 23 2022

web sep 8 2023 therefore this study focus on the indoor temperature control of radiant ceiling cooling system based on deep reinforcement learning drl method and compared drl control methods with traditional on off and pid control methods to explore the direction of optimal control for radiant ceiling cooling systems 2

chemistry 4 1 radiant energy flashcards quizlet - Oct 23 2022

web array of colors form of energy that exhibits wavelike behavior travels at the speed of light height of the wavelength
 brightness of light study with quizlet and memorize flashcards containing terms like 3.00×10^8 amplitude wavelength
 frequency particles and

radiant energy definition meaning dictionary com - Aug 21 2022

web radiant energy definition energy transmitted in wave motion especially electromagnetic wave motion see more

review and reinforcement radiant energy secure4 khronos - Mar 28 2023

web jun 19 2023 review and reinforcement radiant energy review and reinforcement radiant energy merely said the review
 and reinforcement radiant energy is commonly consistent with any devices to read in the household workplace or potentially
 in your methodology can be every top choice within digital connections in particular situations

radiant energy formula definition and components physics - Apr 16 2022

web sep 26 2023 the temperature of an object significantly influences the amount of radiant energy it emits the stefan
 boltzmann law showcases a unique feature the radiant energy is proportional to the fourth power of the absolute
 temperature T^4 also check energy level formula significance and applications of the stefan boltzmann law

what is radiant energy definition thermal engineering - Dec 25 2022

web may 22 2019 source hyperphysics phy astr gsu edu in physics radiant energy is the energy of electromagnetic and
 gravitational radiation the term radiant energy is most commonly used in the fields of radiometry solar energy heating and
 lighting as energy its si unit is the joule j the quantity of radiant energy may be calculated by

re and reinforcement radiant energy pdf cornelisfr vanlanschot - Oct 03 2023

web transformative change is really awe inspiring enter the realm of re and reinforcement radiant energy a mesmerizing
 literary masterpiece penned by way of a distinguished author guiding readers on a profound journey to unravel the secrets
 and potential hidden within every word in this critique we

review and reinforcement radiant energy pdf pdf live hubitat - Sep 21 2022

web review and reinforcement radiant energy pdf upload arnold p paterson 2 10 downloaded from live hubitat com on
 october 19 2023 by arnold p paterson are very old charcoal others new the fullerenes they have different applications and
 markets and are produced by different segments of the industry out of gas david l goodstein 2005

radiant energy in a sentence cambridge dictionary - Feb 12 2022

web examples of radiant energy in a sentence how to use it 37 examples such systems carry enough fuel for their mission or
 can use radiant energy from

radiant energy formula byju s - May 18 2022

web the radiant heat energy formula is articulated as $e \propto T^4$ or $e = \sigma T^4$ where stefan s constant $5.67 \times 10^{-8} \text{ w m}^{-2} \text{ k}^{-4}$ is σ

radiant energy is e absolute temperature is t solved example example 1 the surface temperature of the moon in the daytime is 123 celsius compute the radiant heat energy for 1 meter square area answer

review and reinforcement radiant energy pqr uiaf gov co - Jul 20 2022

web reinforcement radiant energy can be taken as capably as picked to act index of specifications and standards 2000

international review of neurobiology 1967 01 01 international review of neurobiology radiobiology and radiation protection

mosby 1999 05 the instructional part of the program was designed and developed with the lecture

radiant energy wikipedia - Apr 28 2023

web in physics and in particular as measured by radiometry radiant energy is the energy of electromagnetic 1 and

gravitational radiation as energy its si unit is the joule j the quantity of radiant energy may be calculated by integrating

radiant flux or power with respect to time

re and reinforcement radiant energy cornelisfr vanlanshot be - May 30 2023

web re and reinforcement radiant energy re and reinforcement radiant energy 2 downloaded from cornelisfr vanlanshot be

on 2019 07 20 by guest support of the preservation process and thank you for being an important part of keeping this

knowledge alive and relevant catalog of national bureau of standards publications 1966 1976 pt

review and reinforcement radiant energy tec acaya ai - Jun 18 2022

web reinforcement radiant energy that we will categorically offer it is not not far off from the costs its very nearly what you

craving currently this review and reinforcement radiant energy as one of the most operational sellers here will utterly be

accompanied by the best options to review international review of neurobiology 1967 01 01

review and reinforcement radiant energy - Jun 30 2023

web merely said the review and reinforcement radiant energy is universally compatible with any devices to read energy

research abstracts 1985 semiannual with semiannual and annual indexes references to all scientific and technical literature

coming from doe its laboratories energy centers and contractors includes all works deriving from doe

re and reinforcement radiant energy accounts ceu social - Aug 01 2023

web reviewing re and reinforcement radiant energy unlocking the spellbinding force of linguistics in a fast paced world

fueled by information and interconnectivity the spellbinding force of linguistics has acquired newfound prominence

4 1 review and reinforcement radiant energy thebookee net - Mar 16 2022

web radiant energy pdf the sun s radiant energy and represent forms of mechanical energy that we can use to generate

power image source nasa radiant energy energy in the form of light chapter 4 reinforcement worksheet it s all mixed up pdf

reinforcement learning with neural radiance fields github - Feb 24 2023

web reinforcement learning with neural radiance fields danny driess ingmar schubert pete florence yunzhu li marc toussaint

tu berlin google mit neurips 2022 pdf arxiv bibtex

pdf practical implementation and evaluation of deep reinforcement - Jan 26 2023

web nov 7 2018 this study implements and deploys a drl control method for a radiant heating system in a real life office building for energy efficiency

review and reinforcement radiant energy - Sep 02 2023

web 2 review and reinforcement radiant energy 2022 10 11 energy research abstracts mcgraw hill glencoe semiannual with semiannual and annual indexes references to all scientific and technical literature coming from doe its laboratories energy centers and contractors includes all works deriving from doe other related government sponsored