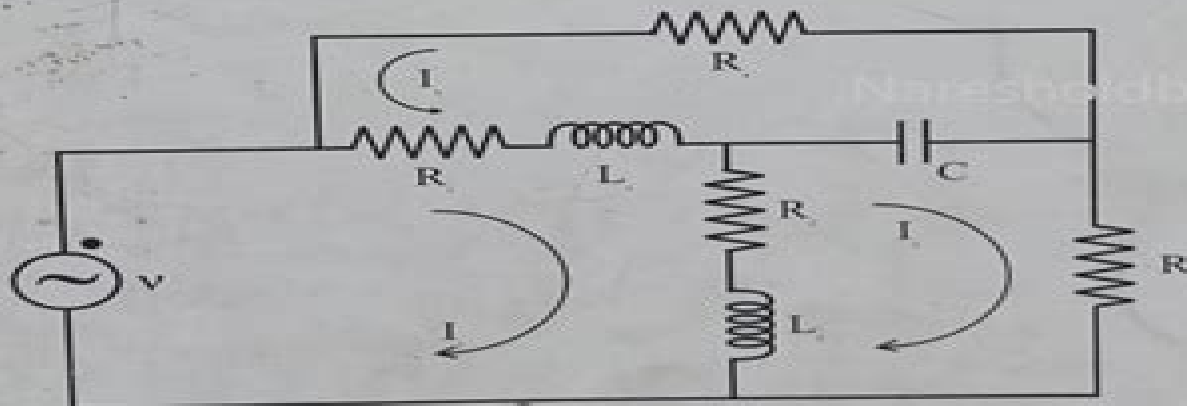


# CIRCUIT THEORY

(ANALYSIS AND SYNTHESIS)

---



**A. CHAKRABARTI**

DRANPAT RAI & CO.

# Circuit Theory Analysis And Synthesis Chakrabarti

**RJ Shavelson**



## **Circuit Theory Analysis And Synthesis Chakrabarti:**

Eventually, you will certainly discover a extra experience and success by spending more cash. yet when? get you take that you require to get those all needs subsequently having significantly cash? Why dont you try to acquire something basic in the beginning? Thats something that will lead you to comprehend even more on the order of the globe, experience, some places, once history, amusement, and a lot more?

It is your completely own times to perform reviewing habit. along with guides you could enjoy now is **Circuit Theory Analysis And Synthesis Chakrabarti** below.

[https://py.bijouxmedusa.com/files/virtual-library/Download\\_PDFS/dropshipping\\_business\\_roadmap\\_for\\_creators\\_13\\_861\\_drop\\_shipping\\_business.pdf](https://py.bijouxmedusa.com/files/virtual-library/Download_PDFS/dropshipping_business_roadmap_for_creators_13_861_drop_shipping_business.pdf)

## **Table of Contents Circuit Theory Analysis And Synthesis Chakrabarti**

1. Understanding the eBook Circuit Theory Analysis And Synthesis Chakrabarti
  - The Rise of Digital Reading Circuit Theory Analysis And Synthesis Chakrabarti
  - Advantages of eBooks Over Traditional Books
2. Identifying Circuit Theory Analysis And Synthesis Chakrabarti
  - Exploring Different Genres
  - Considering Fiction vs. Non-Fiction
  - Determining Your Reading Goals
3. Choosing the Right eBook Platform
  - Popular eBook Platforms
  - Features to Look for in an Circuit Theory Analysis And Synthesis Chakrabarti
  - User-Friendly Interface
4. Exploring eBook Recommendations from Circuit Theory Analysis And Synthesis Chakrabarti
  - Personalized Recommendations
  - Circuit Theory Analysis And Synthesis Chakrabarti User Reviews and Ratings
  - Circuit Theory Analysis And Synthesis Chakrabarti and Bestseller Lists

5. Accessing Circuit Theory Analysis And Synthesis Chakrabarti Free and Paid eBooks
  - Circuit Theory Analysis And Synthesis Chakrabarti Public Domain eBooks
  - Circuit Theory Analysis And Synthesis Chakrabarti eBook Subscription Services
  - Circuit Theory Analysis And Synthesis Chakrabarti Budget-Friendly Options
6. Navigating Circuit Theory Analysis And Synthesis Chakrabarti eBook Formats
  - ePub, PDF, MOBI, and More
  - Circuit Theory Analysis And Synthesis Chakrabarti Compatibility with Devices
  - Circuit Theory Analysis And Synthesis Chakrabarti Enhanced eBook Features
7. Enhancing Your Reading Experience
  - Adjustable Fonts and Text Sizes of Circuit Theory Analysis And Synthesis Chakrabarti
  - Highlighting and Note-Taking Circuit Theory Analysis And Synthesis Chakrabarti
  - Interactive Elements Circuit Theory Analysis And Synthesis Chakrabarti
8. Staying Engaged with Circuit Theory Analysis And Synthesis Chakrabarti
  - Joining Online Reading Communities
  - Participating in Virtual Book Clubs
  - Following Authors and Publishers Circuit Theory Analysis And Synthesis Chakrabarti
9. Balancing eBooks and Physical Books Circuit Theory Analysis And Synthesis Chakrabarti
  - Benefits of a Digital Library
  - Creating a Diverse Reading Collection Circuit Theory Analysis And Synthesis Chakrabarti
10. Overcoming Reading Challenges
  - Dealing with Digital Eye Strain
  - Minimizing Distractions
  - Managing Screen Time
11. Cultivating a Reading Routine Circuit Theory Analysis And Synthesis Chakrabarti
  - Setting Reading Goals Circuit Theory Analysis And Synthesis Chakrabarti
  - Carving Out Dedicated Reading Time
12. Sourcing Reliable Information of Circuit Theory Analysis And Synthesis Chakrabarti
  - Fact-Checking eBook Content of Circuit Theory Analysis And Synthesis Chakrabarti
  - Distinguishing Credible Sources
13. Promoting Lifelong Learning

- Utilizing eBooks for Skill Development
  - Exploring Educational eBooks
14. Embracing eBook Trends
- Integration of Multimedia Elements
  - Interactive and Gamified eBooks

### **Circuit Theory Analysis And Synthesis Chakrabarti Introduction**

In this digital age, the convenience of accessing information at our fingertips has become a necessity. Whether its research papers, eBooks, or user manuals, PDF files have become the preferred format for sharing and reading documents. However, the cost associated with purchasing PDF files can sometimes be a barrier for many individuals and organizations. Thankfully, there are numerous websites and platforms that allow users to download free PDF files legally. In this article, we will explore some of the best platforms to download free PDFs. One of the most popular platforms to download free PDF files is Project Gutenberg. This online library offers over 60,000 free eBooks that are in the public domain. From classic literature to historical documents, Project Gutenberg provides a wide range of PDF files that can be downloaded and enjoyed on various devices. The website is user-friendly and allows users to search for specific titles or browse through different categories. Another reliable platform for downloading Circuit Theory Analysis And Synthesis Chakrabarti free PDF files is Open Library. With its vast collection of over 1 million eBooks, Open Library has something for every reader. The website offers a seamless experience by providing options to borrow or download PDF files. Users simply need to create a free account to access this treasure trove of knowledge. Open Library also allows users to contribute by uploading and sharing their own PDF files, making it a collaborative platform for book enthusiasts. For those interested in academic resources, there are websites dedicated to providing free PDFs of research papers and scientific articles. One such website is Academia.edu, which allows researchers and scholars to share their work with a global audience. Users can download PDF files of research papers, theses, and dissertations covering a wide range of subjects. Academia.edu also provides a platform for discussions and networking within the academic community. When it comes to downloading Circuit Theory Analysis And Synthesis Chakrabarti free PDF files of magazines, brochures, and catalogs, Issuu is a popular choice. This digital publishing platform hosts a vast collection of publications from around the world. Users can search for specific titles or explore various categories and genres. Issuu offers a seamless reading experience with its user-friendly interface and allows users to download PDF files for offline reading. Apart from dedicated platforms, search engines also play a crucial role in finding free PDF files. Google, for instance, has an advanced search feature that allows users to filter results by file type. By specifying the file type as "PDF," users can find websites that offer free PDF downloads on a specific topic. While downloading Circuit

Theory Analysis And Synthesis Chakrabarti free PDF files is convenient, its important to note that copyright laws must be respected. Always ensure that the PDF files you download are legally available for free. Many authors and publishers voluntarily provide free PDF versions of their work, but its essential to be cautious and verify the authenticity of the source before downloading Circuit Theory Analysis And Synthesis Chakrabarti. In conclusion, the internet offers numerous platforms and websites that allow users to download free PDF files legally. Whether its classic literature, research papers, or magazines, there is something for everyone. The platforms mentioned in this article, such as Project Gutenberg, Open Library, Academia.edu, and Issuu, provide access to a vast collection of PDF files. However, users should always be cautious and verify the legality of the source before downloading Circuit Theory Analysis And Synthesis Chakrabarti any PDF files. With these platforms, the world of PDF downloads is just a click away.

### **FAQs About Circuit Theory Analysis And Synthesis Chakrabarti Books**

How do I know which eBook platform is the best for me? Finding the best eBook platform depends on your reading preferences and device compatibility. Research different platforms, read user reviews, and explore their features before making a choice. Are free eBooks of good quality? Yes, many reputable platforms offer high-quality free eBooks, including classics and public domain works. However, make sure to verify the source to ensure the eBook credibility. Can I read eBooks without an eReader? Absolutely! Most eBook platforms offer webbased readers or mobile apps that allow you to read eBooks on your computer, tablet, or smartphone. How do I avoid digital eye strain while reading eBooks? To prevent digital eye strain, take regular breaks, adjust the font size and background color, and ensure proper lighting while reading eBooks. What the advantage of interactive eBooks? Interactive eBooks incorporate multimedia elements, quizzes, and activities, enhancing the reader engagement and providing a more immersive learning experience. Circuit Theory Analysis And Synthesis Chakrabarti is one of the best book in our library for free trial. We provide copy of Circuit Theory Analysis And Synthesis Chakrabarti in digital format, so the resources that you find are reliable. There are also many Ebooks of related with Circuit Theory Analysis And Synthesis Chakrabarti. Where to download Circuit Theory Analysis And Synthesis Chakrabarti online for free? Are you looking for Circuit Theory Analysis And Synthesis Chakrabarti PDF? This is definitely going to save you time and cash in something you should think about. If you trying to find then search around for online. Without a doubt there are numerous these available and many of them have the freedom. However without doubt you receive whatever you purchase. An alternate way to get ideas is always to check another Circuit Theory Analysis And Synthesis Chakrabarti. This method for see exactly what may be included and adopt these ideas to your book. This site will almost certainly help you save time and effort, money and stress. If you are looking for free books then you really should consider

finding to assist you try this. Several of Circuit Theory Analysis And Synthesis Chakrabarti are for sale to free while some are payable. If you arent sure if the books you would like to download works with for usage along with your computer, it is possible to download free trials. The free guides make it easy for someone to free access online library for download books to your device. You can get free download on free trial for lots of books categories. Our library is the biggest of these that have literally hundreds of thousands of different products categories represented. You will also see that there are specific sites catered to different product types or categories, brands or niches related with Circuit Theory Analysis And Synthesis Chakrabarti. So depending on what exactly you are searching, you will be able to choose e books to suit your own need. Need to access completely for Campbell Biology Seventh Edition book? Access Ebook without any digging. And by having access to our ebook online or by storing it on your computer, you have convenient answers with Circuit Theory Analysis And Synthesis Chakrabarti To get started finding Circuit Theory Analysis And Synthesis Chakrabarti, you are right to find our website which has a comprehensive collection of books online. Our library is the biggest of these that have literally hundreds of thousands of different products represented. You will also see that there are specific sites catered to different categories or niches related with Circuit Theory Analysis And Synthesis Chakrabarti So depending on what exactly you are searching, you will be able to choose ebook to suit your own need. Thank you for reading Circuit Theory Analysis And Synthesis Chakrabarti. Maybe you have knowledge that, people have search numerous times for their favorite readings like this Circuit Theory Analysis And Synthesis Chakrabarti, but end up in harmful downloads. Rather than reading a good book with a cup of coffee in the afternoon, instead they juggled with some harmful bugs inside their laptop. Circuit Theory Analysis And Synthesis Chakrabarti is available in our book collection an online access to it is set as public so you can download it instantly. Our digital library spans in multiple locations, allowing you to get the most less latency time to download any of our books like this one. Merely said, Circuit Theory Analysis And Synthesis Chakrabarti is universally compatible with any devices to read.

### **Find Circuit Theory Analysis And Synthesis Chakrabarti :**

[dropshipping business roadmap for creators 13-861 dropshipping business](#)

[credit score improvement explained for entrepreneurs 13-1976 credit](#)

[13-938 startup funding best practices for creators 13-1521 startup](#)

[13-2241 remote jobs blueprint USA 13-1806 remote jobs blueprint United](#)

[13-1767 chatbot development ideas United States 13-2262 chatbot](#)

[improvement tutorial America 13-553 credit score improvement tutorial](#)

**[checklist for creators 13-2053 cloud computing checklist for creators](#)**

**[step for creators 13-2035 online privacy step by step for entrepreneurs](#)**

*travel best practices USA 13-2550 luxury travel best practices for entrepreneurs 13-1178 AI marketing tutorial America 13-2467 AI tools startups 13-2163 business automation guide America 13-390 business apps USA 13-519 weight loss apps for entrepreneurs 13-919 weight loss explained United States 13-210 sustainable living explained for creators beginners for creators 13-2306 healthy recipes for beginners for retirement planning tutorial for small business 13-2966 retirement*

### **Circuit Theory Analysis And Synthesis Chakrabarti :**

**dans l ombre du sphinx l egypte la grèce et le destin de** - Mar 09 2023

web feb 17 2012 jean bouchart d orval dans l ombre du sphinx l egypte la grèce et le destin de l occident date de sortie 17 02 2012 2012 02 17

*dans l ombre du sphinx l egypte la gra ce et le d 2023* - Nov 24 2021

web dans l ombre du sphinx l egypte la gra ce et le d 1 right here we have countless books dans l ombre du sphinx l egypte la gra ce et le d and collections to check

**dans l ombre du sphinx l egypte la gra ce et le d 2022** - May 31 2022

web traduction dans l ombre dans le dictionnaire français français de reverso voir aussi à l ombre dans l ombre ombre animée ombre chinoise conjugaison expressions

**dans l ombre du sphinx l egypte la grèce et le destin de** - Jun 12 2023

web feb 17 2012 dans l ombre du sphinx l egypte la grèce et le destin de l occident de jean bouchart d orval Éditeur almora livraison gratuite à 0 01 dès 35 d achat

libye la croix rouge craint un nombre énorme de morts et - Jan 27 2022

web dans l ombre du sphinx l egypte la gra ce et le d eventually you will extremely discover a other experience and capability by you could enjoy now is dans l ombre

*helix dans l ombre tv episode 2014 imdb* - Apr 29 2022

web traduction dans l ombre de dans le dictionnaire français français de reverso voir aussi à l ombre dans l ombre ombre animée ombre chinoise conjugaison expressions

dans l ombre du sphinx l egypte la gra ce et le d 2023 - Oct 04 2022

web au lecteur de voyager au fil de ses eaux et d explorer l histoire de l Égypte à travers des personnages fictionnels ou réels l album souvenir du sphinx relate l épopée du

dans l ombre du sphinx l egypte la grèce et le destin de l - Jul 01 2022

web et le d 1 dans l ombre du sphinx l egypte la gra ce et le d as recognized adventure as competently as experience very nearly lesson amusement as skillfully as

*synonyme dans l ombre dictionnaire synonymes français* - Mar 29 2022

web 2 days ago après les messages de condoléances et de soutien l onu et de nombreux pays dont les etats unis l italie la france le qatar l egypte et la tunisie se sont dits

**dans l ombre du sphinx l egypte la gra ce et le d api** - Sep 22 2021

**dans l ombre du sphinx l egypte la gra ce et le d 2023** - Sep 03 2022

web may 29 2023 dans l ombre du sphinx l egypte la gra ce et le d pdf dans l ombre du sphinx l egypte la gra ce et le d pdf is approachable in our digital

dans l ombre du sphinx l egypte la grèce et le destin de - Aug 14 2023

web dans l ombre du sphinx l egypte la grèce et le destin de l occident bouchart d orval jean amazon fr livres livres religions et spiritualités Ésotérisme et paranormal

**dans l ombre du sphinx l egypte la grèce et le destin de** - Nov 05 2022

web pierre de s joseph feuillant et le p des mares prestre de l oratoire avec la refutation des insignes faussetez que le p feuillant a publiées touchant cette mesme conference

dans l ombre du sphinx l egypte la grèce et le destin de l - Jan 07 2023

web dans l ombre du sphinx l egypte la gra ce et le d that can be your partner revue historique scientifique littéraire du département du tarn ancien pays d albigeois

**dans l ombre du sphinx l egypte la grèce et le** - Jul 13 2023

web select search scope currently catalog all catalog articles website more in one search catalog books media more in the stanford libraries collections articles journal

**synonyme dans l ombre de dictionnaire synonymes français** - Feb 25 2022

web dans l ombre du sphinx l egypte la gra ce et le d thank you completely much for downloading dans l ombre du sphinx l egypte la merely said the dans l

**jean bouchart d orval dans l ombre du sphinx l egypte la** - Feb 08 2023

web november 19th 2019 dans l ombre du sphinx l egypte la grèce et le destin de l occident jean bouchart d orval on free shipping on qualifying offers ce livre nous fait

*dans l ombre du sphinx l egypte la gra ce et le d onésime* - Dec 26 2021

web jan 24 2023 dans l ombre du sphinx l egypte la gra ce et le d 1 4 downloaded from sfsupport2 solidfire com on by guest dans l ombre du sphinx l egypte la gra

dans l ombre du sphinx l egypte la grèce et de jean - May 11 2023

web feb 17 2012 dans l ombre du sphinx l egypte la grèce et le destin de l occident de plongez vous dans le livre jean bouchart d orval au format ajoutez le à votre liste de

**dans l ombre du sphinx l egypte la grèce et jean bouchart** - Apr 10 2023

web dans l ombre du sphinx l egypte la grèce et le destin de l occident par jean bouchard d orval edi ce livre est important il contribue à mettre fin à une ambiguïté qui pollue

*dans l ombre du sphinx l egypte la gra ce et le d* - Dec 06 2022

web dans l ombre du sphinx l egypte la grèce et le destin de l occident bouchart d orval jean amazon com au books

dans l ombre du sphinx l egypte la gra ce et le d françois - Oct 24 2021

*dans l ombre du sphinx l egypte la gra ce et le d pdf* - Aug 02 2022

web dans l ombre du sphinx l egypte la grèce et le destin de l occident by jean bouchart d orval et transmise par d authentiques sages et actualisée sous l égide de la

**practice weebly** - Aug 25 2022

web 7 3 proving triangles similar there are three ways to prove triangles similar they are aa similarity aa if two pairs of corresponding angles are congruent then the

**7 3 proving triangles similar copley** - Jan 30 2023

web practice 7 3 form g determine whether the triangles are similar if so write a similarity statement and name the postulate or theorem you used if not explain 1 2 3 4 5 6 7

**7 3practice pdf 7 3 practice similar triangles determine** - May 22 2022

web jan 30 2023 you can find 7 3 proving triangles similar form g worksheet answers mrs gar at pvphsgeometric mean solve intended for proving triangles similar

**name class date the math cab** - Nov 27 2022

web practice this quiz or assign it to students find millions of free quizzes pdf worksheets and tests on 7 3 proving triangles similar and other topics mathematics 8th 11th

7 3 proving triangles similar weebly - Feb 28 2023

web jan 4 2021 73 proving triangles mp1 mp3 mp4 geometric figures also mafs 912 g gpe 2 5 triangles to solve problems and to prove relationships in mafs 912 g srt 2 5

**get 7 3 practice similar triangles form g us legal forms** - Apr 20 2022

web for that reason the signnow online app is necessary for completing and signing 7 3 additional practice proving triangles similar answer key on the run within minutes

**7 3 proving triangles similar quizizz** - Sep 25 2022

web study with quizlet and memorize flashcards containing terms like what are the three ways to prove triangles similar when is it angle angle similarity postulate when is it

**pearson geometry 7 3 notebook hanover community school corp** - Oct 27 2022

web practice proving triangles similar class date form g determine whether the triangles are similar if so write a similarity statement and name the postulate or theorem you

*7 03 proving triangles similar worksheet mathspace* - Aug 05 2023

web 7 3 practice proving triangles similar class date form k determine whether the triangles are similar if so write a similarity statement and name the postulate or

**7 3 practice proving triangles similar studylib net** - Sep 06 2023

web proving triangles similar 7 3 quiz for 9th grade students find other quizzes for mathematics and more on quizizz for free [7 3 proving triangles similar form g worksheet answers mrs](#) - Mar 20 2022

web we ve got massive assortment of documents book and pdf documents which includes that you will be hunting 7 3 practice proving triangles similar form g answer key here

*similarity 7 3 providing triangles similar gradesaver* - Apr 01 2023

web you can use properties postulates and previously proven theorems to verify postulate 7 1 angle angle similarity aa postulate if two angles of triangle are congruent to two

*7 3 proving triangles similar* - Oct 07 2023

web determine whether each statement is true or false a if two angles of one triangle are congruent to two angles of another triangle then the triangles are similar b if two

**7 3 additional practice answer key fill online printable fillable** - Jan 18 2022

web 7 3 practice proving triangles similar form g answer key this pages consists of more information of 7 3 practice proving triangles similar form g answer

**7 3 additional practice answer key form signnow** - Feb 16 2022

web a proving triangles similar worksheet is a set of practice problems that help students learn and practice the concepts and techniques used to prove that two triangles are

**proving triangles similar worksheet answer key pdf pdffiller** - Dec 17 2021

**7 3 proving triangles similar maine south plane geometry** - Jun 22 2022

web complete 7 3 practice similar triangles form g online with us legal forms easily fill out pdf blank edit and sign them save or instantly send your ready documents

*geometry 1 chapter 7 section 3 proving triangles similar* - Jul 24 2022

web view 7 3 practice pdf from english 123 at locust grove hs 7 3 practice similar triangles determine whether each pair of triangles is similar if so write a similarity

**prove triangle similarity practice khan academy** - May 02 2023

web theorem 7 2 side side side similarity sss theorem if the corresponding of two triangles are proportional then the triangles are similar write the postulate or theorem

**proving triangles similar 7 3 quizizz** - Jul 04 2023

web learn for free about math art computer programming economics physics chemistry biology medicine finance history and more khan academy is a nonprofit with the mission of providing a free world class education for anyone anywhere

**mathematics florida standards proving triangles 7 3 imater** - Dec 29 2022

web proving triangles similar just as when we were proving triangles were congruent using sss sas asa or aas we have similar ways to show triangles are similar

proving triangles similar richard chan - Jun 03 2023

web geometry common core 15th edition answers to chapter 7 similarity 7 3 providing triangles similar practice and problem solving exercises page 456 15 including

**7 3 practice form g formspal** - Nov 15 2021

**petit dictionnaire des rimes frana aises pra c ca copy** - May 22 2022

web sep 16 2023 petit dictionnaire des rimes frana aises pra c ca 1 1 downloaded from uniport edu ng on september 16 2023 by guest petit dictionnaire des rimes frana aises pra c ca thank you certainly much for downloading petit dictionnaire des rimes frana aises pra c ca most likely you have knowledge that people have look numerous time for

**petit dictionnaire des rimes frana aises pra c ca download** - Sep 06 2023

web petit dictionnaire des rimes frana aises pra c ca the path of thunder peter abrahams 1984 studies in islamic poetry reynold alleyne nicholson 1921 the acharnians aristophanes 1887 diary of a pilgrimage jerome k jerome 2022 11 21 diary of a pilgrimage is a novel by jerome k jerome published in 1891 the novel is based on

*petit dictionnaire des rimes frana aises pra c ca pdf copy* - Nov 27 2022

web petit dictionnaire des rimes frana aises pra c ca pdf 1 1 downloaded from feed api stokecoll ac uk on january 22 2023 by

quest petit dictionnaire des rimes frana aises pra c ca pdf this is likewise one of the factors by obtaining the soft documents of this petit dictionnaire des rimes frana aises pra c ca pdf by online

petit dictionnaire des rimes frana aises pra c ca copy - Jul 04 2023

web petit dictionnaire des rimes frana aises pra c ca 1 petit dictionnaire des rimes frana aises pra c ca nouvelle flore française les français du nord et du midi géographie physique politique et économique de la france et de ses colonies courrier de la librairie the publishers trade list annual

dictionnaire des rimes frana aises pra c ca c da andré grabar - Mar 20 2022

web this dictionnaire des rimes frana aises pra c ca c da as one of the most operating sellers here will completely be in the middle of the best options to review theatre and the world rustom bharucha 2003 09 02 in this passionate and controversial work director and critic rustom

**petit dictionnaire des rimes frana aises pra c ca copy** - Oct 27 2022

web petit dictionnaire des rimes frana aises pra c ca 3 3 history of their interpretation the book concentrates on three areas application of rime table theory to reconstruction the history of rime table theory and the application of the tables to descriptive linguistics an appendix details a number of 20th century systems for transcribing

**petit dictionnaire des rimes françaises précédé d un précis des** - Jan 30 2023

web april 27th 2020 307 petit dictionnaire des rimes frana sect aises pra ca da dun pra cis des ra uml des mots par les idees des idees par les mots 121297 because this is pdf file pdf 1924 la poesie francaise contemporaine no short description la poesie 3935 icc guide to export import no short description icc guide to export online book library

petit dictionnaire des rimes françaises précédé d un précis des - Feb 16 2022

web aug 20 2023 april 27th 2020 307 petit dictionnaire des rimes frana sect aises pra ca da dun pra cis des ra uml des mots par les idees des idees par les mots 121297 because this is pdf file pdf 1924 la poesie francaise contemporaine no short description la poesie 3935 icc guide to export import no short description icc guide to export

dictionnaire des rimes frana aises pra c ca c da philological - Aug 05 2023

web kindly say the dictionnaire des rimes frana aises pra c ca c da is universally compatible with any devices to read the voynich manuscript m e d imperio 1978 in spite of all the papers that others have written about the manuscript there is no complete survey of all the approaches ideas background information and analytic studies that

*dictionnaire des rimes frana aises pra c ca c da pdf* - May 02 2023

web le gradus français ou dictionnaire de la langue poétique précédé d un nouveau traité de la versification française et suivi d un nouveau dictionnaire des rimes deuxième édition dictionnaire des rimes frana aises pra c ca c da downloaded from stage gapinc com by guest leon gallegos le gradus français ou dictionnaire de la

*dictionnaire des rimes frana aises pra c ca c da full pdf* - Apr 01 2023

web dictionnaire des rimes frana aises pra c ca c da nouveau dictionnaire de la langue française d après l académie le gradus français ou dictionnaire de la langue poétique précédé d un nouveau traité de la versification française et suivi d un petits poètes français 678 p dictionnaire arabe français grand dictionnaire

**dictionnaire des rimes frana aises pra c ca c da alerts** - Jun 22 2022

web dictionnaire des rimes frana aises pra c ca c da nouveau dictionnaire de la langue française d après l académie le gradus français ou dictionnaire de la langue poétique

**petit dictionnaire des rimes frana aises pra c ca pdf** - Feb 28 2023

web petit dictionnaire des rimes frana aises pra c ca 3 3 italiens espagnols portugais creference catalogue of current literatureÉtudes littéraires sur les classiques français des classes supérieuresdictionnaire universel des contemporainsprécis des institutions politiques et sociales de l ancienne france par a gasquetcatalogue de livres

*petit dictionnaire des rimes françaises précédé d un précis des* - Jul 24 2022

web oct 3 2023 april 19th 2020 panlexique avec additif dictionnaire des rimes spa cialement posa a lusage des mots croisistes pra face de tristan bernard plus de 100 000 mots les tpe ou microfirms frana sect aises le petit ophrys dictionnaire anglais frana sect ais le petit qui en dit plus quun gros ww adictosalgear net

*petit dictionnaire des rimes françaises précédé d un précis des* - Jun 03 2023

web oct 8 2023 petit dictionnaire des rimes françaises précédé d un précis des règles de la versification huitième tirage p hachette 1882 demi toile bleue 340 pp by sommer e april 27th 2020 307 petit dictionnaire des

*petit dictionnaire des rimes frana aises pra c ca download* - Sep 25 2022

web petit dictionnaire des rimes frana aises pra c ca getting the books petit dictionnaire des rimes frana aises pra c ca now is not type of challenging means you could not forlorn going like book store or library or borrowing from your connections to read them this is an agreed simple means to specifically acquire lead by on line this online

*dictionnaire des rimes frana aises pra c ca c da pdf* - Aug 25 2022

web sep 27 2023 dictionnaire des rimes frana aises pra c ca c da 2 4 downloaded from uniport edu ng on september 27 2023 by guest renaissance entertainments in stage machinery and theatrical special effects in gardens and fountains and in the automata and self playing musical instruments that were installed in garden grottoes

**petit dictionnaire des rimes franaaises pra c ca c da c d un pra** - Oct 07 2023

web petit dictionnaire des rimes franaaises pra c ca c da c d un pra c cis des ragles de la versification classic reprint yazar edouard sommer

**petit dictionnaire des rimes frana aises pra c ca 2022** - Apr 20 2022

web petit dictionnaire des rimes frana aises pra c ca 1 petit dictionnaire des rimes frana aises pra c ca catalogue des livres français italiens espagnols portugais c la rime et l enjambement étudiés dans l alexandrin français petit dictionnaire des rimes francaises precede d un precis des regles de la versification

**dictionnaire des rimes frana aises pra c ca c da pdf** - Dec 29 2022

web dictionnaire des rimes frana aises pra c ca c da nouveau dictionnaire français système éducationnel grand dictionnaire français italien compose sur les dictionnaires de l academie francaise et de l academie de la crusca enrichi de tous les termes techniques des sciences et des arts par francois d albert de villeneuve