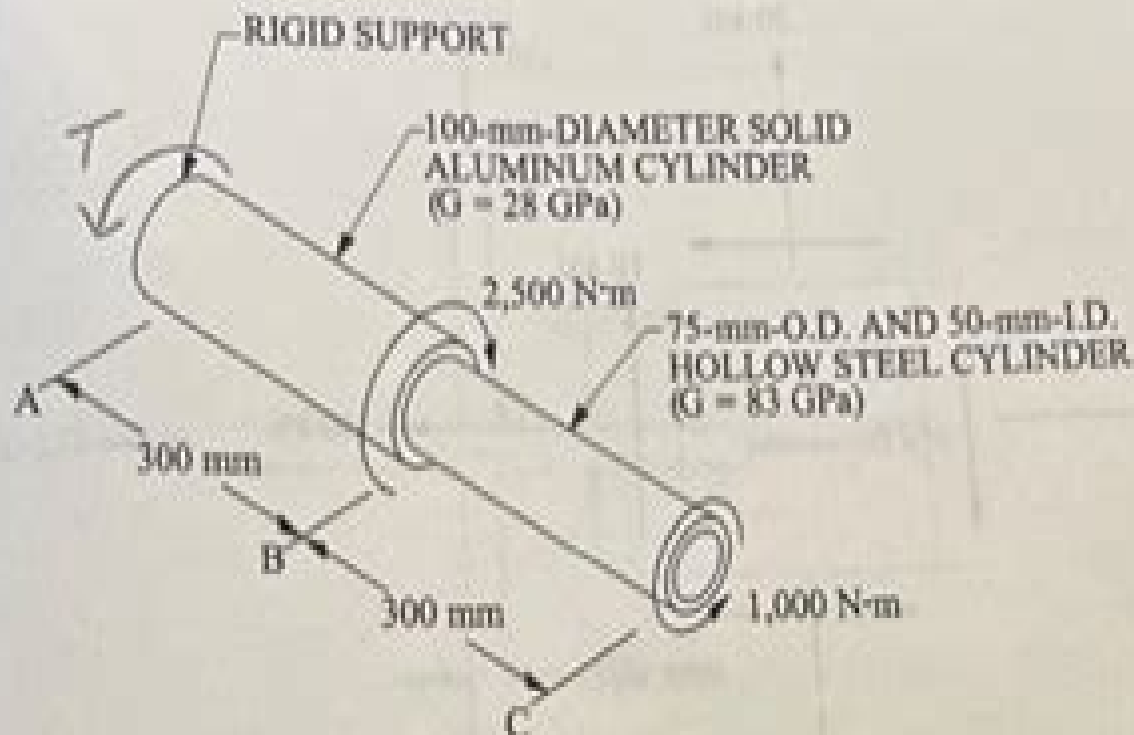


## FE MECHANICAL PRACTICE EXAM

45. In the figure below, the value of the maximum shear stress (MPa) in Segment BC is most nearly:



- A. 15.0
- B. 30.0
- C. 37.7
- D. 52.7

$$\sum M = 0 = 1000 \text{ N}\cdot\text{m} - 2500 \text{ N}\cdot\text{m} + T$$

$$T = 2500 \text{ N}\cdot\text{m} - 1000 \text{ N}\cdot\text{m}$$

$$T = 1500 \text{ N}\cdot\text{m}$$

# Fe Mechanical Practice Problems

**JA Banks**



## **Fe Mechanical Practice Problems:**

**PPI FE Mechanical Practice Problems - Comprehensive Practice for the FE Mechanical Exam** Michael R. Lindeburg, 2014-05-01 FE Mechanical Practice Problems offers comprehensive practice for the NCEES FE Mechanical exam This book features over 460 three minute multiple choice exam like practice problems to illustrate the type of problems you will encounter during the exam It also features clear complete and easy to follow solutions to deepen your understanding of all knowledge areas covered on the exam Additionally there are step by step calculations using equations and nomenclature from the NCEES FE Reference Handbook to familiarize you with the only reference you will have on exam day For best results purchase this book along with the FE Mechanical Review Mechanical Engineering Exam Topics Covered Computational Tools Dynamics Kinematics and Vibrations Electricity and Magnetism Engineering Economics Ethics and Professional Practice Fluid Mechanics Heat Transfer Material Properties and Processing Mathematics Materials Measurement Instrumentation and Controls Mechanical Design and Analysis Mechanics of Materials Probability and Statistics Statics Thermodynamics Key Features Over 460 three minute multiple choice exam like practice problems Clear complete and easy to follow solutions Step by step calculations using equations and nomenclature from the NCEES FE Reference Handbook Binding Paperback About the Publisher PPI A Kaplan Company has been trusted by engineering exam candidates since 1975 *FE Mechanical Practice Problems* Michael R. Lindeburg, 2014 **FE MECHANICAL PRACTICE PROBLEMS : FOR THE MECHANICAL FUNDAMENTALS OF ENGINEERING EXAM.** MICHAEL R. LINDEBURG,

**PPI FE Mechanical Exams—Two Full Practice Exams With Step-By-Step Solutions** Mohammad Iqbal, Ali Iqbal, 2022-08-22 PPI FE Mechanical Exams Two Full Practice Exams With Step By Step Solutions The new FE Mechanical Exams book includes two full practice exams containing 110 FE Mechanical practice problems each featuring both multiple choice and Alternative Item Types AIT s to provide an experience just like exam day This book is designed to prepare you for the Computer Based Testing CBT FE exam taken at Pearson Vue test centers Prepare for exam day by taking the practice exams just before you sit for your exam The exam problems are designed to be solved in three minutes or less to demonstrate the format and difficulty of the exam and allow you to gauge your skill level These practice exams are designed to reinforce your understanding of Mechanical engineering concepts and equations found in the NCEES FE Reference Handbook Step by step solutions are provided for all problems so you can review problem solving methods Also included is a detailed appendix to help you find each solution s related equations and engineering concepts in the NCEES Handbook This book is key to making sure you are prepared for exam day Mechanical Engineering Topics Covered Mathematics Probability and Statistics Ethics and Professional Practice Engineering Economics Electricity and Magnetism Statics Dynamics Kinematics and Vibrations Mechanics of Materials Material Properties and Processing Fluid Mechanics Thermodynamics Heat Transfer Measurements Instrumentation and Controls Mechanical Design and Analysis Key Features Two 110 question FE Mechanical

practice exams 550 questions in total A mix of multiple choice questions and alternative item types AITs Problems are designed to be solved in three minutes or less just like the actual exam Binding Paperback About the Publisher PPI A Kaplan Company has been trusted by engineering exam candidates since 1975 [PPI FE Chemical Practice Problems eText - 1 Year](#) Michael R. Lindeburg,2016-10-06 FE Chemical Practice Problems offers comprehensive practice for the NCEES Chemical FE exam This book is part of a comprehensive learning management system designed to help you pass the FE exam the first time Exam Topics Covered Chemical Reaction Chemistry Computational Tools Engineering Engineering Sciences Ethics and Professional Practice Fluid Mechanics Dynamics Heat Transfer Mass Transfer and Separation Material Energy Balances Materials Science Mathematics Probability and Statistics Process Control Process Design and Economics Safety Health and Environment Thermodynamics Key Features Over 600 three minute multiple choice exam like practice problems to illustrate the type of problems you ll encounter during the exam Clear complete and easy to follow solutions to deepen your understanding of all knowledge areas covered in the exam Step by step calculations using equations and nomenclature from the NCEES FE Reference Handbook to familiarize you with the reference you ll have on exam day Binding Paperback Publisher PPI A Kaplan Company **PPI FE Mechanical Practice Problems eText - 1 Year** Michael R. Lindeburg,2014-05-01 FE Mechanical Practice Problems offers comprehensive practice for the NCEES FE Electrical and Computer exam Exam Topics Covered Computational Tools Dynamics Kinematics and Vibrations Electricity and Magnetism Engineering Economics Ethics and Professional Practice Fluid Mechanics Heat Transfer Material Properties and Processing Mathematics Materials Measurement Instrumentation and Controls Mechanical Design and Analysis Mechanics of Materials Probability and Statistics Statics Thermodynamics Key Features Over 460 three minute multiple choice exam like practice problems to illustrate the type of problems you ll encounter during the exam Clear complete and easy to follow solutions to deepen your understanding of all knowledge areas covered in the exam Step by step calculations using equations and nomenclature from the NCEES FE Reference Handbook to familiarize you with the reference you ll have on exam day Binding Paperback Publisher Kaplan **Mechanical FE Exam Prep: 2100+ Practice Problems & Solutions** Chandresh Agrawal,Nandini Books,2026-02-21 Book Details Title Mechanical FE Exam Prep 2100 Practice Problems you create the physical tool Order Download the PDF instantly to your device Print Take a high quality printout at your home or local print shop Bind Get it spiral bound for easy page turning during long study sessions Your custom made physical prep book is ready in minutes 4 Ebook Description Success in the FE Mechanical exam requires more than just knowing the formulas it requires the stamina to solve hundreds of problems under pressure This ebook provides exactly that a massive drill hall of over 2100 Multiple Choice Questions MCQs Divided into 14 comprehensive practice sets this book mimics the rigor of the actual exam It is designed for students who have already studied the theory and are now looking for a final boss to test their speed accuracy and depth of understanding There are no long winded lectures here just pure concentrated practice to help you

identify your weak spots before the actual exam day

5 What is Covered This book focuses heavily on the technical core of Mechanical Engineering including Thermodynamics you should use this book alongside the official handbook to simulate exam conditions

Non Technical Sections While it covers Ethics it does not focus on General Biology or extensive Civil Chemical specific engineering niches

**PPI FE Mechanical Exams—Two Full Practice Exams With Step-By-Step Solutions eTextbook** Mohammad Iqbal, Ali Iqbal, 2022-09-12 The new FE Mechanical Exams book includes two full practice exams containing 110 FE Mechanical practice problems each featuring both multiple choice and Alternative Item Types AITs to provide an experience just like exam day This book is designed to prepare you for the Computer Based Testing CBT FE exam taken at Pearson Vue test centers Prepare for exam day by taking the practice exams just before you sit for your exam The exam problems are designed to be solved in three minutes or less to demonstrate the format and difficulty of the exam and allow you to gauge your skill level These practice exams are designed to reinforce your understanding of Mechanical engineering concepts and equations found in the NCEES FE Reference Handbook Step by step solutions are provided for all problems so you can review problem solving methods Also included is a detailed appendix to help you find each solution s related equations and engineering concepts in the NCEES Handbook This book is key to making sure you are prepared for exam day

Mechanical Engineering Topics Covered Mathematics Probability and Statistics Ethics and Professional Practice Engineering Economics Electricity and Magnetism Statics Dynamics Kinematics and Vibrations Mechanics of Materials Material Properties and Processing Fluid Mechanics Thermodynamics Heat Transfer Measurements Instrumentation and Controls Mechanical Design and Analysis

Key Features Two 110 question FE Mechanical practice exams 550 questions in total A mix of multiple choice questions and alternative item types AITs Problems are designed to be solved in three minutes or less just like the actual exam

*FE Mechanical Exam Prep*, 2025-02-16 Have you ever wondered what it takes to pass one of the most challenging engineering exams on your first attempt What if you could transform complex engineering principles into clear practical knowledge that gives you the confidence to tackle any question This comprehensive guide is designed for aspiring engineers who want to master every aspect of the FE Mechanical Exam Covering a broad spectrum of topics from fluid mechanics thermodynamics and heat transfer to mechanics of materials machine design and engineering ethics this book breaks down each subject into clear easy to understand explanations Every concept is reinforced with real world applications ensuring you not only pass the exam but also build a strong foundation for your engineering career

Success on this exam isn't just about memorization it's about strategic problem solving and efficient time management That's why this book goes beyond theory offering proven study techniques calculator shortcuts and exam day strategies that will help you work smarter not harder Whether you're struggling with complex equations or need guidance on how to effectively use the NCEES FE Reference Handbook this guide provides step by step instructions to maximize your performance What truly sets this book apart is the 200 carefully crafted practice questions that simulate the real exam experience Each question

is accompanied by a detailed explanation helping you understand not just the correct answer but also the reasoning behind it. These practice problems are designed to sharpen your analytical skills, reinforce key concepts, and eliminate guesswork, ultimately giving you the edge you need on exam day. Passing the FE Mechanical Exam is the first step toward becoming a licensed Professional Engineer (PE), and with the right preparation, you can achieve this milestone with confidence. Are you ready to take control of your future and prove that you have what it takes to succeed? This book will guide you every step of the way.

**FE Mechanical in 14 Days** Shirley Clough, 2026-02-28

You're staring at the calendar, heart racing, knowing the FE Mechanical Exam is closing in fast, and you're not where you want to be. What if the difference between walking out as an Engineer in Training and walking out disappointed was just 14 focused, ruthless days? Picture this: A stressed-out mechanical engineering graduate, maybe that's you, sitting at their desk at 11 p.m., surrounded by half-finished notes, outdated practice problems, and mounting panic. They've already delayed life, job offers, PE dreams, peace of mind, because the exam feels like an impossible mountain. Then they find this book. Two weeks later, they're walking out of the Pearson VUE center with shaky legs but a quiet, certain smile. They passed. First try. That story isn't fiction; it's real, repeated hundreds of times by people who used this exact, no-nonsense system when time was short and pressure was high. So let me ask you three questions that hit home: How much longer are you willing to let this one exam hold your career, your income, and your confidence hostage? What would it feel like to finally cross "pass FE" off your list and actually start living the life you've been postponing? What if the only thing standing between you and that EIT certificate was the right 14-day plan? This book isn't another 600-page textbook or endless theory dump; it's a battle-tested, laser-focused 2-week sprint built for people who are short on time but long on determination. Shirley Clough, a licensed mechanical engineer who has coached dozens of candidates through the current FE format, distills everything that actually moves the needle into one streamlined system. You get a crystal-clear daily roadmap that tells you exactly what to study, when, and how long, no guesswork. 2000 current-exam-aligned practice problems, not generic ones, with smart repetition to burn concepts into your brain. Five full-length simulated exams that feel eerily close to the real thing. Rapid weak-area elimination tactics so you stop bleeding points where it hurts most. Lightning-fast handbook navigation drills because time is your enemy. Calm, confident exam-day execution strategies, including breathing techniques that actually work when your pulse is 120 bpm. The goals of this book are simple and ruthless: Turn your weakest topics into scoring machines in under two weeks. Build unbreakable pacing and decision-making reflexes under real exam pressure. Get you across the pass line on your first or next attempt without burnout. Hand you the EIT credential so you can finally move forward with your life. Objection busters: let's kill the fear right now. I don't have enough time left. That's exactly why this 14-day sprint was designed. It's built for crunch time. I've tried other books and failed. This isn't another book; it's a timed, prioritized execution system, not a passive read. I'm not a great test taker. You don't have to be. You just need the right drills, the right pacing, and the right mental tools all inside. What if I still don't pass? Even if the worst happens, you'll finish with a precise diagnostic of exactly

what to fix next most repeat takers jump 15 25% using this method This book is the perfect gift for The recent grad racing the job offer deadline The working engineer finally ready to get licensed The friend or sibling who s been putting off the FE for years Anyone who needs a clear compassionate no BS push across the finish line Stop waiting Stop doubting Grab your copy now and turn the next 14 days into the moment everything changes Your EIT future starts here Add to Cart and let s get to work

**Mechanical Engineering FE Exam Preparation Example Problems and Solutions** Anthem Books,2017-09  
The standard for Mechanical Engineering FE Review includes 110 practice problems with full solutions Set up to provide in depth analysis of likely FE exam problems This guide will get anyone ready for the Mechanical FE Exam Topics covered include Statics Dynamics and Fluid Mechanics Electricity Magnetism Materials Properties and Processing Dynamics Kinematics and Vibrations Mechanics of Materials Mechanical Design and Analysis Heat Transfer Measurement and Controls

**FE Mechanical Practice Exam** ,2020 *FE Mechanical Practice Exam* Ncees,2017-03 **FE Mechanical Exam Prep 2024** Jacob Roslynn,2024 Fundamentals of engineering mechanical study guide Includes FE mechanical review manual and 1 332 FE mechanical practice problems test prep **PPI FE Mechanical Review Manual eText - 1 Year** Michael R. Lindeburg,2014-05-01 Michael R Lindeburg PE s FE Mechanical Review Manual offers complete review for the FE Mechanical exam This book is part of a comprehensive learning management system designed to help you pass the FE Mechanical exam the first time The FE Mechanical Review Manual contains concise explanations supported by exam like example problems with step by step solutions to reinforce the theory and application of fundamental concepts and also contains a robust index with thousands of terms to facilitate referencing Topics Covered Computational Tools Dynamics Kinematics and Vibrations Electricity and Magnetism Engineering Economics Ethics and Professional Practice Fluid Mechanics Heat Transfer Material Properties and Processing Mathematics Materials Measurement Instrumentation and Controls Mechanical Design and Analysis Mechanics of Materials Probability and Statistics Statics Thermodynamics Key Features Complete coverage of all exam knowledge areas Equations figures and tables for version 9 4 of the NCEES FE Reference Handbook to familiarize you with the reference you ll have on exam day Concise explanations supported by exam like example problems with step by step solutions to reinforce the theory and application of fundamental concepts A robust index with thousands of terms A guarantee you ll pass the FE Mechanical exam or we will refund your purchase Binding Paperback PPI A Kaplan Company *FE Mechanical Practice Exams* M. R. Islam,2019-05 **FE Mechanical Exam Prep** Learnova,2024 **Fe Mechanical Exam Prep** Thorne Sterling,2024 **FE Mechanical Exam Prep** Claude Spencer,2024 UNLOCK YOUR FUTURE WITH FE MECHANICAL EXAM PREP YOUR DEFINITIVE GUIDE TO FIRST TIME SUCCESSAre you ready to ace the FE Mechanical Exam on your very first attempt and pave the way for a successful career in mechanical engineering FE Mechanical Exam Prep is not just another study guide it is your comprehensive ally in navigating through the intricate landscape of the FE exam meticulously designed to ensure you pass with flying colors Why Choose FE Mechanical

Exam Prep Comprehensive Content Coverage Tailored to reflect the latest NCEES exam format this guide provides detailed insights into each subject area you ll face from Statics and Dynamics to Thermodynamics and Material Properties Dive deep into chapters filled with rich content that aligns perfectly with the NCEES standards Practical Problems and Real World Applications More than just theory this manual offers a multitude of practical problems and solutions coupled with real world applications to ensure you can apply theoretical knowledge effectively under exam conditions State of the Art Software Training Gain hands on experience with essential engineering software like AutoCAD SolidWorks and ANSYS These skills are crucial not just for the exam but also for your future career in mechanical engineering Strategic Exam Preparation Utilize proven strategies within this guide including detailed practice exams effective time management techniques and methods for identifying correct solutions to avoid common pitfalls Designed to boost your confidence and competence this section guarantees a higher chance of passing on your first attempt Beyond the Exam Look beyond the FE with guidance on professional licensure lifelong learning and career advancement This guide doesn t just prepare you for the exam it prepares you for a thriving career in mechanical engineering What s Inside Essential Exam Strategies Master the intricacies of the FE Mechanical Exam with strategies that help you manage your time navigate through the NCEES Reference Handbook efficiently and tackle the exam s trickiest problems Robust Practice Sessions Challenge yourself with over a thousand practice problems that mirror those you ll encounter on the exam day Each chapter concludes with practical tests to consolidate the concepts you ve learned Expert Guidance Benefit from the insights of one of the most successful exam coaches who has helped thousands navigate their way to becoming licensed engineers Guarantee Your Success Statistics show that the chances of passing the FE Mechanical Exam drop dramatically after the first attempt Don t leave your success to chance With FE Mechanical Exam Prep you re not just studying you re setting the foundation for a successful engineering career Take Action Now Prepare to excel with FE Mechanical Exam Prep Embrace the detailed rigorous preparation process that awaits within these pages and turn your aspirations of becoming a licensed mechanical engineer into reality Buy now to begin your journey to both exam and professional success c Amazon Website *Practice Problems for the Mechanical Engineering PE Exam* Michael R. Lindeburg,2006 The best way to prepare for the mechanical PE exam is to solve problems the more problems the better Practice Problems for the Mechanical Engineering PE Exam provides you with the breadth and depth problem solving practice you need to successfully prepare for the exam Build your confidence and improve your problem solving skills More than 500 problems similar in format and difficulty to the actual exam Coordinated with the chapters of the Mechanical Engineering Reference Manual Step by step solutions explain how to reach the correct answers most efficiently Comprehensive coverage of exam topics The Mechanical Engineering Reference Manual along with the Practice Problems and the Sample Exam successfully prepared me for the exam Adam Ross PE Mechanical Engineer

Ignite the flame of optimism with *Crafted by* is motivational masterpiece, Find Positivity in **Fe Mechanical Practice Problems** . In a downloadable PDF format ( Download in PDF: \*), this ebook is a beacon of encouragement. Download now and let the words propel you towards a brighter, more motivated tomorrow.

[https://py.bijouxmedusa.com/public/virtual-library/index.jsp/Funding\\_Examples\\_United\\_States\\_32\\_158\\_Startup\\_Funding\\_Examples\\_United.pdf](https://py.bijouxmedusa.com/public/virtual-library/index.jsp/Funding_Examples_United_States_32_158_Startup_Funding_Examples_United.pdf)

## **Table of Contents Fe Mechanical Practice Problems**

1. Understanding the eBook Fe Mechanical Practice Problems
  - The Rise of Digital Reading Fe Mechanical Practice Problems
  - Advantages of eBooks Over Traditional Books
2. Identifying Fe Mechanical Practice Problems
  - Exploring Different Genres
  - Considering Fiction vs. Non-Fiction
  - Determining Your Reading Goals
3. Choosing the Right eBook Platform
  - Popular eBook Platforms
  - Features to Look for in an Fe Mechanical Practice Problems
  - User-Friendly Interface
4. Exploring eBook Recommendations from Fe Mechanical Practice Problems
  - Personalized Recommendations
  - Fe Mechanical Practice Problems User Reviews and Ratings
  - Fe Mechanical Practice Problems and Bestseller Lists
5. Accessing Fe Mechanical Practice Problems Free and Paid eBooks
  - Fe Mechanical Practice Problems Public Domain eBooks
  - Fe Mechanical Practice Problems eBook Subscription Services
  - Fe Mechanical Practice Problems Budget-Friendly Options

6. Navigating Fe Mechanical Practice Problems eBook Formats
  - ePub, PDF, MOBI, and More
  - Fe Mechanical Practice Problems Compatibility with Devices
  - Fe Mechanical Practice Problems Enhanced eBook Features
7. Enhancing Your Reading Experience
  - Adjustable Fonts and Text Sizes of Fe Mechanical Practice Problems
  - Highlighting and Note-Taking Fe Mechanical Practice Problems
  - Interactive Elements Fe Mechanical Practice Problems
8. Staying Engaged with Fe Mechanical Practice Problems
  - Joining Online Reading Communities
  - Participating in Virtual Book Clubs
  - Following Authors and Publishers Fe Mechanical Practice Problems
9. Balancing eBooks and Physical Books Fe Mechanical Practice Problems
  - Benefits of a Digital Library
  - Creating a Diverse Reading Collection Fe Mechanical Practice Problems
10. Overcoming Reading Challenges
  - Dealing with Digital Eye Strain
  - Minimizing Distractions
  - Managing Screen Time
11. Cultivating a Reading Routine Fe Mechanical Practice Problems
  - Setting Reading Goals Fe Mechanical Practice Problems
  - Carving Out Dedicated Reading Time
12. Sourcing Reliable Information of Fe Mechanical Practice Problems
  - Fact-Checking eBook Content of Fe Mechanical Practice Problems
  - Distinguishing Credible Sources
13. Promoting Lifelong Learning
  - Utilizing eBooks for Skill Development
  - Exploring Educational eBooks
14. Embracing eBook Trends
  - Integration of Multimedia Elements

- Interactive and Gamified eBooks

### **Fe Mechanical Practice Problems Introduction**

In today's digital age, the availability of Fe Mechanical Practice Problems books and manuals for download has revolutionized the way we access information. Gone are the days of physically flipping through pages and carrying heavy textbooks or manuals. With just a few clicks, we can now access a wealth of knowledge from the comfort of our own homes or on the go. This article will explore the advantages of Fe Mechanical Practice Problems books and manuals for download, along with some popular platforms that offer these resources. One of the significant advantages of Fe Mechanical Practice Problems books and manuals for download is the cost-saving aspect. Traditional books and manuals can be costly, especially if you need to purchase several of them for educational or professional purposes. By accessing Fe Mechanical Practice Problems versions, you eliminate the need to spend money on physical copies. This not only saves you money but also reduces the environmental impact associated with book production and transportation. Furthermore, Fe Mechanical Practice Problems books and manuals for download are incredibly convenient. With just a computer or smartphone and an internet connection, you can access a vast library of resources on any subject imaginable. Whether you're a student looking for textbooks, a professional seeking industry-specific manuals, or someone interested in self-improvement, these digital resources provide an efficient and accessible means of acquiring knowledge. Moreover, PDF books and manuals offer a range of benefits compared to other digital formats. PDF files are designed to retain their formatting regardless of the device used to open them. This ensures that the content appears exactly as intended by the author, with no loss of formatting or missing graphics. Additionally, PDF files can be easily annotated, bookmarked, and searched for specific terms, making them highly practical for studying or referencing. When it comes to accessing Fe Mechanical Practice Problems books and manuals, several platforms offer an extensive collection of resources. One such platform is Project Gutenberg, a nonprofit organization that provides over 60,000 free eBooks. These books are primarily in the public domain, meaning they can be freely distributed and downloaded. Project Gutenberg offers a wide range of classic literature, making it an excellent resource for literature enthusiasts. Another popular platform for Fe Mechanical Practice Problems books and manuals is Open Library. Open Library is an initiative of the Internet Archive, a non-profit organization dedicated to digitizing cultural artifacts and making them accessible to the public. Open Library hosts millions of books, including both public domain works and contemporary titles. It also allows users to borrow digital copies of certain books for a limited period, similar to a library lending system. Additionally, many universities and educational institutions have their own digital libraries that provide free access to PDF books and manuals. These libraries often offer academic texts, research papers, and technical manuals, making them invaluable resources for students and researchers. Some notable examples include MIT OpenCourseWare, which offers free

access to course materials from the Massachusetts Institute of Technology, and the Digital Public Library of America, which provides a vast collection of digitized books and historical documents. In conclusion, Fe Mechanical Practice Problems books and manuals for download have transformed the way we access information. They provide a cost-effective and convenient means of acquiring knowledge, offering the ability to access a vast library of resources at our fingertips. With platforms like Project Gutenberg, Open Library, and various digital libraries offered by educational institutions, we have access to an ever-expanding collection of books and manuals. Whether for educational, professional, or personal purposes, these digital resources serve as valuable tools for continuous learning and self-improvement. So why not take advantage of the vast world of Fe Mechanical Practice Problems books and manuals for download and embark on your journey of knowledge?

### FAQs About Fe Mechanical Practice Problems Books

**What is a Fe Mechanical Practice Problems PDF?** A PDF (Portable Document Format) is a file format developed by Adobe that preserves the layout and formatting of a document, regardless of the software, hardware, or operating system used to view or print it. **How do I create a Fe Mechanical Practice Problems PDF?** There are several ways to create a PDF: Use software like Adobe Acrobat, Microsoft Word, or Google Docs, which often have built-in PDF creation tools. Print to PDF: Many applications and operating systems have a "Print to PDF" option that allows you to save a document as a PDF file instead of printing it on paper. Online converters: There are various online tools that can convert different file types to PDF. **How do I edit a Fe Mechanical Practice Problems PDF?** Editing a PDF can be done with software like Adobe Acrobat, which allows direct editing of text, images, and other elements within the PDF. Some free tools, like PDFescape or Smallpdf, also offer basic editing capabilities. **How do I convert a Fe Mechanical Practice Problems PDF to another file format?** There are multiple ways to convert a PDF to another format: Use online converters like Smallpdf, Zamzar, or Adobe Acrobats export feature to convert PDFs to formats like Word, Excel, JPEG, etc. Software like Adobe Acrobat, Microsoft Word, or other PDF editors may have options to export or save PDFs in different formats. **How do I password-protect a Fe Mechanical Practice Problems PDF?** Most PDF editing software allows you to add password protection. In Adobe Acrobat, for instance, you can go to "File" -> "Properties" -> "Security" to set a password to restrict access or editing capabilities. Are there any free alternatives to Adobe Acrobat for working with PDFs? Yes, there are many free alternatives for working with PDFs, such as: LibreOffice: Offers PDF editing features. PDFsam: Allows splitting, merging, and editing PDFs. Foxit Reader: Provides basic PDF viewing and editing capabilities. How do I compress a PDF file? You can use online tools like Smallpdf, ILovePDF, or desktop software like Adobe Acrobat to compress PDF files without significant quality loss. Compression reduces the file size, making it easier to share and download. Can I fill out forms in a PDF file? Yes, most PDF viewers/editors like Adobe

Acrobat, Preview (on Mac), or various online tools allow you to fill out forms in PDF files by selecting text fields and entering information. Are there any restrictions when working with PDFs? Some PDFs might have restrictions set by their creator, such as password protection, editing restrictions, or print restrictions. Breaking these restrictions might require specific software or tools, which may or may not be legal depending on the circumstances and local laws.

### **Find Fe Mechanical Practice Problems :**

**funding examples United States 32-158 startup funding examples United**

[business blueprint for entrepreneurs 32-860 dropshipping business case](#)

[creators 32-532 personal finance for beginners for small business 32-128](#)

**trends USA 32-1364 productivity hacks trends United States 32-2469**

[32-2208 passive income ideas strategies for startups 32-1203 passive](#)

[business 32-188 freelancing online review for startups 32-2708](#)

[investing case study for small business 32-377 crypto investing case](#)

[entrepreneurs 32-2462 remote work case study for entrepreneurs 32-1521](#)

[marketing tips USA 32-1727 affiliate marketing tips for small business](#)

**32-1659 AI marketing explained for creators 32-643 AI marketing for**

**monetization roadmap for creators 32-1143 blog monetization roadmap for**

**business ideas trends America 32-822 small business ideas trends for**

**monetization strategies for entrepreneurs 32-2502 blog monetization**

[cybersecurity blueprint United States 32-329 cybersecurity blueprint for](#)

[data science careers best practices USA 32-57 data science careers best](#)

### **Fe Mechanical Practice Problems :**

**more women than ever are in the fight on today s battlefields** - Jun 11 2023

web oct 15 2019 15 min read this story is part of our november 2019 special issue of national geographic magazine women a century of change read more stories here in a desert town in east central syria

**women in war american battlefield trust** - Jun 30 2022

web women both north and south also ventured onto the battlefield many changing their appearance so they could fight incognito for the cause they believed in african american women like harriet tubman often took on especially dangerous roles

operating behind confederate lines as union scouts

**female soldiers in the civil war american battlefield trust** - Aug 01 2022

web on the front line the outbreak of the civil war challenged traditional american notions of feminine submissiveness and domesticity with hundreds of examples of courage diligence and self sacrifice in battle the war was a formative moment in

**warrior women despite what gamers might believe the ancient** - Dec 05 2022

web oct 4 2018 warrior women despite what gamers might believe the ancient world was full of female fighters zenobia addressing her troops giambattista tiepolo national gallery warrior women despite

women in post classical warfare wikipedia - Mar 28 2022

web timeline dihya lathgertha gülnar hatun Æthelflæd adelaide blanche of anjou empress xiao yanyan matilda of tuscan y florine of burgundy moremi ajasoro tomoe gozen hōjō masako hangaku gozen hulagu khan with doquz khatun rudrama devi joan i of navarre joanna of flanders isabella of france jadwiga of poland

women at war armed forces royal british legion - Apr 09 2023

web a battle with no guns and few casualties but also one of the most vital of wwii she was one of 168 women drawn from across the commonwealth europe and north america by the ata during the war and she ferried 1 438 planes to waiting raf pilots flying 82 different types of planes she later became the first female commercial airline captain

*women in ancient warfare wikipedia* - Oct 03 2022

web v t e the role of women in ancient warfare differed from culture to culture there have been various historical accounts of females participating in battle this article lists instances of women recorded as participating in ancient warfare from the beginning of written records to approximately 500 ce

*women in combat military wiki fandom* - Feb 24 2022

web women in combat are female soldiers assigned to combat positions the article covers the situation in major countries provides a historical perspective and reviews the main arguments made for and against women in combat from time to time in world history individual women have served in combat roles disguised as men or in leadership roles

**women at war why do we still struggle with the idea of female** - May 10 2023

web aug 3 2019 a woman in charge of a country and its military or active in battle has often been seen as sexually unnatural elizabeth i catherine the great margaret thatcher

**a brief history of women in combat** - Jul 12 2023

web by drew lindsay 1 25 2013 hundreds of thousands of women have served in combat through the ages german tanks rolled toward stalingrad as if leading a holiday parade in berlin luftwaffe planes had pounded soviet defenses for weeks scattering the enemy and clearing the way for the ground assault

[women in war wikipedia](#) - Feb 07 2023

web restarting in the 1970s women played an increasing role in the military of major nations including by 2005 roles as combat pilots the new combat roles were highly controversial for many reasons including differences in physical capabilities of the sexes 1 and issues of gender identity for both women and men 2

*nine countries that allow women in combat positions yahoo news* - May 30 2022

web feb 21 2020 the supreme court recently passed a landmark judgement allowing permanent commission and command positions for women in the armed forces data from the government reveals that as of 2018 there are only 3 653 women in the armed forces as compared to 62 507 men further the court has remained silent on another pressing

**women in warfare 1500 1699 wikipedia** - Nov 04 2022

web the following is a list of prominent women in war and their exploits from about 1500 up to about 1699 only women active in direct warfare such as warriors spies and women who actively led armies are included in this list

**the master list of historical women in combat rejected** - Apr 28 2022

web women in combat throughout the ages pre 1st century ahhotep i 16th century bce egyptian queen who rallied troops against invaders was merciful got order of the fly fu hao 13th century bce chinese general who led up to 13 000 people in battle defeated the shang after many many battles

*women in combat five year status update cnas* - Jan 06 2023

web mar 31 2020 josh campbell pablo chavez richard connolly john costello richard j danzig anthony demartino jason dempsey robin dickey billy fabian yaya j fanusie ryan fedasiuk david feith edward fishman ben fitzgerald greg grant dr erik lin greenberg michael greenwald mikhail grinberg hamzeh hadad hon robert f hale

**women warriors the ongoing story of integrating and brookings** - Mar 08 2023

web lori robinson and michael e o hanlon may 2020 how have the experiences representation and recognition of women in the military transformed a century after the ratification of the 19th

**freedom hope healing living truth** - Aug 13 2023

web this is what the living truth together community is all about achieve freedom from unwanted sexual behavior with men in the battle get empowered with hope and healing after sexual betrayal in women in the battle we take a multidimensional and faith based approach to recovery

**women in combat wikipedia** - Oct 15 2023

web v t e women in combat refers to female military personnel assigned to combat positions the role of women in the military has varied across the world s major countries throughout history with several views for and against women in combat over time countries have generally become more accepting of women fulfilling combat roles history

**the mostly good news on women in combat cnas** - Sep 02 2022

web apr 19 2018 the corps is currently made up of 8 percent women and aiming to grow to 10 percent but is struggling with recruitment generally including for combat arms there are currently 92 women serving in marine combat arms billets though only 11 are in infantry roles the marine corps has adopted a similar approach to the army s leaders first

**9 women warriors through history national geographic** - Sep 14 2023

web oct 15 2019 the women in pamela toler s new millennia spanning history women warriors gallop into battle on horseback hack off enemies heads order executions mount attacks from jungle cover and

*student solutions manual leon couch communication system* - Oct 03 2022

web this student solutions manual for digital and analog communication systems 7th edition united states contains complete solutions for the problems in the 7th edition that are marked with a star within the textbook you will often see a this designates that files with matlab and mathcad computer solutions are available

**digital and analog communication systems couch leon w** - Jun 30 2022

web digital and analog communication systems couch leon w free download borrow and streaming internet archive an illustration of a horizontal line over an up pointing arrow an illustration of a computer application window an illustration of an open book

digital and analog communication systems couch leon w - Apr 28 2022

web jan 1 1987 there is a newer edition of this item digital analog communication systems 78 20 17 only 1 left in stock order soon exceptionally up to date this book provides a broad introduction to basic analog and digital principles and their application to the design and analysis of real world communication systems

digital and analog communication systems semantic scholar - Nov 04 2022

web this book provides a broad introduction to basic analog and digital principles and their application to the design and analysis of real world communication systems and provides readers with a working knowledge of how to use both classical mathematical and personal computer methods to analyze design and simulate modern communication systems

**digital analog communication systems couch leon** - Jul 12 2023

web jan 9 2012 a useful resource for electrical engineers this revision of couch s authoritative text provides the latest treatment of digital communication systems the author balances coverage of both digital and analog communication systems with an emphasis on design

leon couch communication system files - Sep 14 2023

web jan 27 2021 1 w couch digital and analog communication systems 8th edition pearson 2013 click here for description of this textbook click here for resources for the 8th edition and or download files at the right click here for

[digital analog communication systems 7th edition open](#) - Aug 01 2022

web jul 18 2006 digital communications telecommunication systems nachrichtenübertragungstechnik analog electronic systems télécommunications systèmes de transmission numérique telecommunicatie digitale systemen showing 7 featured editions view all 14 editions

*digital and analog communication systems* - Oct 15 2023

web title digital and analog communication systems tk5101 c69 2013 384 dc23 2011038659 isbn 10 0 13 291538 3 isbn 13 978 0 13 291538 0 iii contents block codes 21 convolutional codes 23 code interleaving 26 code performance 26 trellis coded modulation 28 iii iv iv 2 signals and spectra 34 2 1 properties of signals

[digital and analog communication systems leon w couch](#) - Aug 13 2023

web the author balances coverage of both digital and analog communication systems with an

**loading interface goodreads** - Mar 28 2022

web discover and share books you love on goodreads

**digital and analog communication systems 6th edition ii couch leon** - May 30 2022

web digital and analog communication systems 6th edition by ii couch leon w isbn 10 0130812234 isbn 13 9780130812230 prentice hall 2001 hardcover

*digital analog communication systems google books* - May 10 2023

web mar 20 2013 for second and third year introductory communication systems courses for undergraduates or an introductory graduate course this revision of couch s authoritative text provides the latest

[digital and analog communication systems leon w couch](#) - Mar 08 2023

web this revision of couch s authoritative text provides the latest treatment of digital

**digital and analog communication systems couch leon w** - Dec 05 2022

web digital and analog communication systems by couch leon w publication date 2001 topics telecommunication systems digital communications publisher upper saddle river n j prentice hall

**digital and analog communication systems by leon w couch** - Feb 24 2022

web feb 10 2023 created by an anonymous user imported from scriblio marc record digital and analog communication systems by leon w couch 1993 macmillan pub maxwell macmillan canada maxwell macmillan international macmillan coll div edition in english 4th ed

**digital and analog communication systems leon w couch** - Apr 09 2023

web leon w couch prentice hall 1997 digital communications 742 pages this text provides a broad introduction to basic analog and digital principles and their application to the

[digital and analog communication systems leon w couch](#) - Feb 07 2023

web digital and analog communication systems leon w couch prentice hall 2001 digital communications 758 pages

exceptionally up to date this book provides a broad introduction to

**digital and analog communication systems leon w couch** - Jun 11 2023

web leon w couch macmillan 1987 digital communications 731 pages for second and third year introductory communication systems courses for undergraduates or an introductory graduate

**digital analog communication systems pearson** - Jan 06 2023

web feb 28 2012 digital analog communication systems 8th edition published by pearson january 8 2012 2013 leon w couch

*digital and analog communication systems by leon w couch* - Sep 02 2022

web dec 30 2022 previews available in english subjects digital communications telecommunication systems

nachrichtenübertragungstechnik analog electronic systems télécommunications systèmes de transmission numérique

telecommunicatie digitale systemen showing 6 featured editions

*the son of neptune the heroes of olympus series 2* - Jul 09 2022

web sep 24 2019 gaea is raising an army of giants to defeat the gods and juno has switched heroes percy jackson son of poseidon and jason grace son of jupiter in order to unite greek and roman gods and demigods in battle against her

**rr the son of neptune pdf google drive** - Aug 22 2023

web view details request a review learn more

**category the son of neptune characters riordan wiki** - Feb 04 2022

web category for the son of neptune characters trending pages percy jackson nico di angelo annabeth chase leo valdez reyna ramírez arellano hazel levesque frank zhang grover underwood all items 77 a b c d e f g h i j k l m n o p q r s t u v

**the heroes of olympus rick riordan** - Mar 17 2023

web the answer may lie in another camp miles away where a new camper has shown up and appears to be the son of neptune god of the sea with an ever expanding cast of brave hearted heroes and formidable foes this second book in the heroes of olympus series offers all of the action pathos and humor that rick riordan fans crave

**the son of neptune rick riordan** - May 19 2023

web the answer may lie in another camp miles away where a new camper has shown up and appears to be the son of neptune god of the sea with an ever expanding cast of brave hearted heroes and formidable foes this second book in the heroes of olympus series offers all of the action pathos and humor that rick riordan fans crave

**buy heroes of olympus the son of neptune the house of hades heroes** - Jan 03 2022

web amazon in buy heroes of olympus the son of neptune the house of hades heroes of olympus book 4 set of 2books book

online at best prices in india on amazon in read heroes of olympus the son of neptune the house of hades heroes of olympus book 4 set of 2books book reviews author details and more at amazon in free

**the son of neptune heroes of olympus amazon com tr** - Mar 05 2022

web the son of neptune heroes of olympus riordan rick amazon com tr kitap Çerez tercihlerinizi seçin Çerez bildirimimizde ayrıntılı şekilde açıklandığı üzere alışveriş yapmanızı sağlamak alışveriş deneyiminizi iyileştirmek ve hizmetlerimizi sunmak için gerekli olan çerezleri ve benzer araçları kullanırız

*the son of neptune simple english wikipedia the free* - May 07 2022

web the son of neptune is a 2011 fantasy adventure book written by american author rick riordan in the series heroes of olympus it follows percy jackson after his memories have been erased he meets roman demigods frank zhang and hazel lavesque and they start their adventure to defeat gaea and save hera

the heroes of olympus the son of neptune imdb - Apr 06 2022

web the heroes of olympus the son of neptune by adamdaviddrummond created 25 aug 2018 updated 25 aug 2018 public nine months after percy jackson s defense of mount olympus in the last olympian percy finds himself alone and on the run from monsters in southern california without his memories

*the son of neptune heroes of olympus book 2 kağıt kapak* - Oct 12 2022

web the son of neptune heroes of olympus book 2 riordan rick amazon com tr kitap

the son of neptune internet archive - Aug 10 2022

web the heroes of olympus about the author also by rick riordan percy jackson and the olympians book one the lightning thief percy jackson and the olympians book two said they could smell him because he was a demigod the half blood son of some old roman god percy had tried rolling in mud splashing through creeks even keeping air

**the son of neptune riordan wiki fandom** - Jun 20 2023

web the son of neptune is the second book in the heroes of olympus series written by author rick riordan it was released on october 4th 2011 a week earlier than originally planned the story takes place around six months after the previous book the lost hero

heroes of olympus the son of neptune apple books - Dec 14 2022

web publisher description percy is confused when he awoke after his long sleep he didn t know much more than his name his brain fuzz is lingering even after the wolf lupa told him he is a demigod and trained him to fight

**the son of neptune the heroes of olympus book 2 by rick** - Feb 16 2023

web the second book in the mega bestselling heroes of olympus series by rick riordan now with fresh and exciting new cover art by graphic novelist nilah magruder percy is confused when he awoke after his long sleep he didn t know much more than

his name

**the son of neptune summary and study guide supersummary** - Sep 11 2022

web the son of neptune is the second novel in rick riordan s the heroes of olympus series released in 2011 this novel continues the story begun in the lost hero following percy jackson as he stumbles into the roman demigod camp camp jupiter after losing his memory and eight months of his life

[the son of neptune wikipedia](#) - Jul 21 2023

web the son of neptune is a 2011 fantasy adventure novel written by american author rick riordan based on greek and roman mythology it is the second book in the heroes of olympus series preceded by the lost hero and followed by the mark of athena

**the son of neptune heroes of olympus book 2 penguin** - Nov 13 2022

web rick riordan he him dubbed storyteller of the gods by publishers weekly is the author of five 1 new york times best selling middle grade series with millions of copies sold throughout the world including percy jackson and the olympians soon to be a live action series on disney his latest novel is daughter of the deep a modern take on jules

[heroes of olympus the son of neptune ciltli kapak](#) - Jun 08 2022

web heroes of olympus the son of neptune riordan rick amazon com tr kitap Çerez tercihlerinizi seçin Çerez bildirimimizde ayrıntılı şekilde açıklandığı üzere alışveriş yapmanızı sağlamak alışveriş deneyiminizi iyileştirmek ve hizmetlerimizi sunmak için gerekli olan çerezleri ve benzer araçları kullanırız

**the heroes of olympus the son of neptune book 2 by rick** - Apr 18 2023

web percy jackson knows how to make a dramatic entrance after days killing the same gorgons over and over he spies the entrance to a place of safety but before he can reach it an old hag calls to him

**the son of neptune heroes of olympus open library** - Jan 15 2023

web dec 1 2022 beginning at the other camp for half bloods and extending as far as the land beyond the gods this breathtaking second installment in the heroes of olympus series introduces new demigods revives fearsome monsters and features other remarkable creatures all destined to play a part in the prophecy of seven read more