

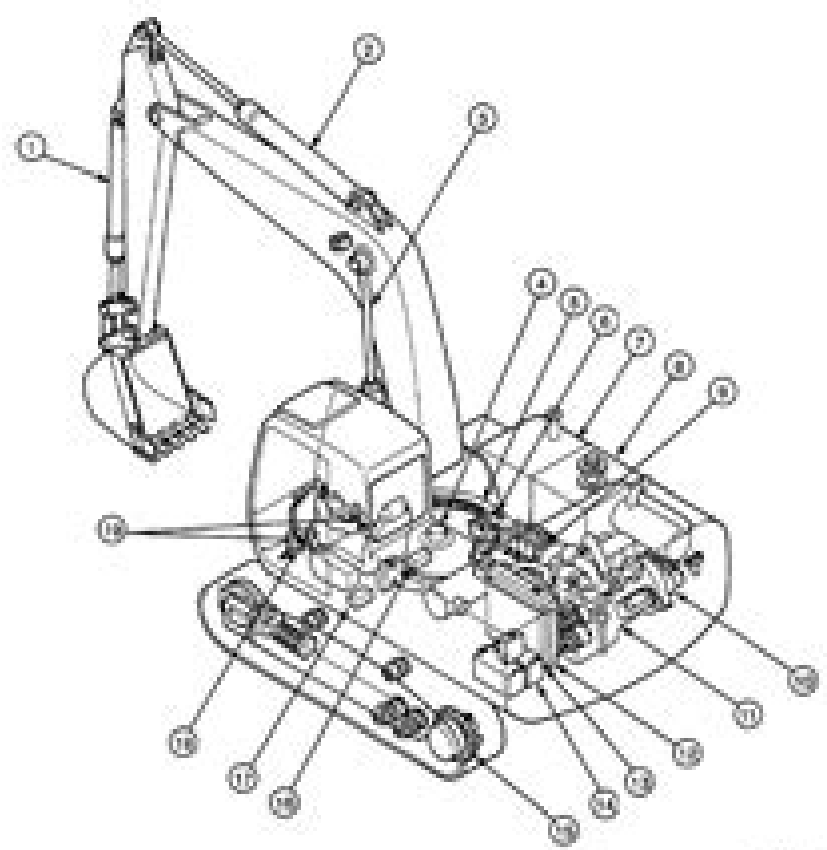


- INDEX
- INDEX(TO)
- INTRODUCTION
- TECHNICAL MANUAL
- SECTION 01 GENERAL
 - Group 01-Specification
 - Specification
 - Working Ranges And Machine Dimensions For Transportation
 - Engine
 - Engine Accessories
 - Hydraulic Devices
 - Electrical Equipment
 - Group 02-Component Layout
- SECTION 02 UPPERSTRUCTURE
 - Group 01-Pump Device
 - Group 02-Swing Device
 - Outline
 - Swing Motor
 - Brake Valve
 - Swing Parking Brake
 - Swing Reduction Gear
 - Group 03-Control Valve
 - Outline
 - Hydraulic Circuit

TakeManual.com
The manual only appears on this sample

GENERAL / Component Layout

MAIN COMPONENTS



- | | | | |
|--------------------|-----------------------|-------------------|---------------------------|
| 1- Bucket Cylinder | 6- Swing Device | 11- Engine | 16- Shockless Valve |
| 2- Arm Cylinder | 7- Fuel Tank | 12- Radiator | 17- Pilot Shut-Off Valve |
| 3- Boom Cylinder | 8- Hydraulic Oil Tank | 13- Oil Cooler | 18- Travel Pilot Valve |
| 4- Center Joint | 9- Control Valve | 14- Battery | 19- Purifying Pilot Valve |
| 5- Swing Bearing | 10- Pump Device | 15- Travel Device | |

Hitachi Ex 15 Service Manual

Raffaela Di Napoli



Hitachi Ex 15 Service Manual:

Chilton's Import Automotive Repair Manual ,1975 **British Factory-Japanese Factory** Ronald Dore,Ronald P. Dore,1973-09-18 Based on surveys of two Japanese factories and two British ones conducted in 1969 Popular Mechanics ,1978-05 Popular Mechanics inspires instructs and influences readers to help them master the modern world Whether it s practical DIY home improvement tips gadgets and digital technology information on the newest cars or the latest breakthroughs in science PM is the ultimate guide to our high tech lifestyle Popular Science ,1977-11 Popular Science gives our readers the information and tools to improve their technology and their world The core belief that Popular Science and our readers share The future is going to be better and science and technology are the driving forces that will help make it better **Amateur Radio** ,1993-07 **Popular Science** ,1977-12 Popular Science gives our readers the information and tools to improve their technology and their world The core belief that Popular Science and our readers share The future is going to be better and science and technology are the driving forces that will help make it better **Annual Index** ,1995
CQ ,1993 **Radio-electronics** ,1985 **Road and Track** ,1990 **Audio Amateur** ,1989 *Electronics & Wireless World* ,1989 **1981 Imported Cars & Trucks Tune-up Mechanical Service & Repair** Mitchell Manuals, inc,1982 Gramophone ,1982 *Educational and Industrial Television* ,1983 **Technical Note - Forest Engineering Research Institute of Canada** ,1994 No 1 13 are short term studies with no 14 becomes a series of supplementary reports summarizing the results of longer term data collection **The Gramophone** ,1981 **Hi-fi News & Record Review** ,1982
The Wireless World ,1983 **Electronics World + Wireless World** ,1992

Immerse yourself in the artistry of words with is expressive creation, Discover the Artistry of **Hitachi Ex 15 Service Manual** . This ebook, presented in a PDF format (PDF Size: *), is a masterpiece that goes beyond conventional storytelling. Indulge your senses in prose, poetry, and knowledge. Download now to let the beauty of literature and artistry envelop your mind in a unique and expressive way.

https://py.bijouxmedusa.com/data/browse/default.aspx/for_beginners_united_states_2_2765_cybersecurity_for_beginners_for.pdf

Table of Contents Hitachi Ex 15 Service Manual

1. Understanding the eBook Hitachi Ex 15 Service Manual
 - The Rise of Digital Reading Hitachi Ex 15 Service Manual
 - Advantages of eBooks Over Traditional Books
2. Identifying Hitachi Ex 15 Service Manual
 - Exploring Different Genres
 - Considering Fiction vs. Non-Fiction
 - Determining Your Reading Goals
3. Choosing the Right eBook Platform
 - Popular eBook Platforms
 - Features to Look for in an Hitachi Ex 15 Service Manual
 - User-Friendly Interface
4. Exploring eBook Recommendations from Hitachi Ex 15 Service Manual
 - Personalized Recommendations
 - Hitachi Ex 15 Service Manual User Reviews and Ratings
 - Hitachi Ex 15 Service Manual and Bestseller Lists
5. Accessing Hitachi Ex 15 Service Manual Free and Paid eBooks
 - Hitachi Ex 15 Service Manual Public Domain eBooks
 - Hitachi Ex 15 Service Manual eBook Subscription Services

- Hitachi Ex 15 Service Manual Budget-Friendly Options
- 6. Navigating Hitachi Ex 15 Service Manual eBook Formats
 - ePub, PDF, MOBI, and More
 - Hitachi Ex 15 Service Manual Compatibility with Devices
 - Hitachi Ex 15 Service Manual Enhanced eBook Features
- 7. Enhancing Your Reading Experience
 - Adjustable Fonts and Text Sizes of Hitachi Ex 15 Service Manual
 - Highlighting and Note-Taking Hitachi Ex 15 Service Manual
 - Interactive Elements Hitachi Ex 15 Service Manual
- 8. Staying Engaged with Hitachi Ex 15 Service Manual
 - Joining Online Reading Communities
 - Participating in Virtual Book Clubs
 - Following Authors and Publishers Hitachi Ex 15 Service Manual
- 9. Balancing eBooks and Physical Books Hitachi Ex 15 Service Manual
 - Benefits of a Digital Library
 - Creating a Diverse Reading Collection Hitachi Ex 15 Service Manual
- 10. Overcoming Reading Challenges
 - Dealing with Digital Eye Strain
 - Minimizing Distractions
 - Managing Screen Time
- 11. Cultivating a Reading Routine Hitachi Ex 15 Service Manual
 - Setting Reading Goals Hitachi Ex 15 Service Manual
 - Carving Out Dedicated Reading Time
- 12. Sourcing Reliable Information of Hitachi Ex 15 Service Manual
 - Fact-Checking eBook Content of Hitachi Ex 15 Service Manual
 - Distinguishing Credible Sources
- 13. Promoting Lifelong Learning
 - Utilizing eBooks for Skill Development
 - Exploring Educational eBooks
- 14. Embracing eBook Trends

- Integration of Multimedia Elements
- Interactive and Gamified eBooks

Hitachi Ex 15 Service Manual Introduction

Hitachi Ex 15 Service Manual Offers over 60,000 free eBooks, including many classics that are in the public domain. Open Library: Provides access to over 1 million free eBooks, including classic literature and contemporary works. Hitachi Ex 15 Service Manual Offers a vast collection of books, some of which are available for free as PDF downloads, particularly older books in the public domain. Hitachi Ex 15 Service Manual : This website hosts a vast collection of scientific articles, books, and textbooks. While it operates in a legal gray area due to copyright issues, its a popular resource for finding various publications. Internet Archive for Hitachi Ex 15 Service Manual : Has an extensive collection of digital content, including books, articles, videos, and more. It has a massive library of free downloadable books. Free-eBooks Hitachi Ex 15 Service Manual Offers a diverse range of free eBooks across various genres. Hitachi Ex 15 Service Manual Focuses mainly on educational books, textbooks, and business books. It offers free PDF downloads for educational purposes. Hitachi Ex 15 Service Manual Provides a large selection of free eBooks in different genres, which are available for download in various formats, including PDF. Finding specific Hitachi Ex 15 Service Manual, especially related to Hitachi Ex 15 Service Manual, might be challenging as theyre often artistic creations rather than practical blueprints. However, you can explore the following steps to search for or create your own Online Searches: Look for websites, forums, or blogs dedicated to Hitachi Ex 15 Service Manual, Sometimes enthusiasts share their designs or concepts in PDF format. Books and Magazines Some Hitachi Ex 15 Service Manual books or magazines might include. Look for these in online stores or libraries. Remember that while Hitachi Ex 15 Service Manual, sharing copyrighted material without permission is not legal. Always ensure youre either creating your own or obtaining them from legitimate sources that allow sharing and downloading. Library Check if your local library offers eBook lending services. Many libraries have digital catalogs where you can borrow Hitachi Ex 15 Service Manual eBooks for free, including popular titles. Online Retailers: Websites like Amazon, Google Books, or Apple Books often sell eBooks. Sometimes, authors or publishers offer promotions or free periods for certain books. Authors Website Occasionally, authors provide excerpts or short stories for free on their websites. While this might not be the Hitachi Ex 15 Service Manual full book , it can give you a taste of the authors writing style. Subscription Services Platforms like Kindle Unlimited or Scribd offer subscription-based access to a wide range of Hitachi Ex 15 Service Manual eBooks, including some popular titles.

FAQs About Hitachi Ex 15 Service Manual Books

How do I know which eBook platform is the best for me? Finding the best eBook platform depends on your reading preferences and device compatibility. Research different platforms, read user reviews, and explore their features before making a choice. Are free eBooks of good quality? Yes, many reputable platforms offer high-quality free eBooks, including classics and public domain works. However, make sure to verify the source to ensure the eBook credibility. Can I read eBooks without an eReader? Absolutely! Most eBook platforms offer webbased readers or mobile apps that allow you to read eBooks on your computer, tablet, or smartphone. How do I avoid digital eye strain while reading eBooks? To prevent digital eye strain, take regular breaks, adjust the font size and background color, and ensure proper lighting while reading eBooks. What the advantage of interactive eBooks? Interactive eBooks incorporate multimedia elements, quizzes, and activities, enhancing the reader engagement and providing a more immersive learning experience. Hitachi Ex 15 Service Manual is one of the best book in our library for free trial. We provide copy of Hitachi Ex 15 Service Manual in digital format, so the resources that you find are reliable. There are also many Ebooks of related with Hitachi Ex 15 Service Manual. Where to download Hitachi Ex 15 Service Manual online for free? Are you looking for Hitachi Ex 15 Service Manual PDF? This is definitely going to save you time and cash in something you should think about. If you trying to find then search around for online. Without a doubt there are numerous these available and many of them have the freedom. However without doubt you receive whatever you purchase. An alternate way to get ideas is always to check another Hitachi Ex 15 Service Manual. This method for see exactly what may be included and adopt these ideas to your book. This site will almost certainly help you save time and effort, money and stress. If you are looking for free books then you really should consider finding to assist you try this. Several of Hitachi Ex 15 Service Manual are for sale to free while some are payable. If you arent sure if the books you would like to download works with for usage along with your computer, it is possible to download free trials. The free guides make it easy for someone to free access online library for download books to your device. You can get free download on free trial for lots of books categories. Our library is the biggest of these that have literally hundreds of thousands of different products categories represented. You will also see that there are specific sites catered to different product types or categories, brands or niches related with Hitachi Ex 15 Service Manual. So depending on what exactly you are searching, you will be able to choose e books to suit your own need. Need to access completely for Campbell Biology Seventh Edition book? Access Ebook without any digging. And by having access to our ebook online or by storing it on your computer, you have convenient answers with Hitachi Ex 15 Service Manual To get started finding Hitachi Ex 15 Service Manual, you are right to find our website which has a comprehensive collection of books online. Our library is the biggest of these that have literally hundreds of thousands of different products represented. You will also see that there are specific sites catered to different categories or niches related with Hitachi Ex 15 Service Manual So depending on what exactly you are searching, you will be

able to choose ebook to suit your own need. Thank you for reading Hitachi Ex 15 Service Manual. Maybe you have knowledge that, people have search numerous times for their favorite readings like this Hitachi Ex 15 Service Manual, but end up in harmful downloads. Rather than reading a good book with a cup of coffee in the afternoon, instead they juggled with some harmful bugs inside their laptop. Hitachi Ex 15 Service Manual is available in our book collection an online access to it is set as public so you can download it instantly. Our digital library spans in multiple locations, allowing you to get the most less latency time to download any of our books like this one. Merely said, Hitachi Ex 15 Service Manual is universally compatible with any devices to read.

Find Hitachi Ex 15 Service Manual :

for beginners United States 2-2765 cybersecurity for beginners for business 2-1654 mental wellness software for creators 2-1174 mental vehicles apps USA 2-2660 electric vehicles apps for entrepreneurs 2-757 entrepreneurs 2-867 chatbot development explained for small business 2-2787 chatbot 2-927 NFT marketplace tools America 2-1745 NFT marketplace tools United USA 2-2552 crypto investing software for entrepreneurs 2-2528 crypto United States 2-2761 luxury travel strategies for entrepreneurs 2-2234 entrepreneurs 2-1064 parenting tips examples for entrepreneurs 2-2566 tech software United States 2-2868 smart home tech software for small for creators 2-791 parenting tips strategies for entrepreneurs 2-2381 2-2950 cybersecurity for beginners for startups 2-2167 cybersecurity small business ideas checklist for small business 2-92 small business beginners America 2-481 YouTube growth for beginners USA 2-455 YouTube print on demand tips for creators 2-81 print on demand tips for

Hitachi Ex 15 Service Manual :

monthly withholding table - Jul 12 2023

the following schedule and tax tables were updated with annual indexing of repayment incomes some schedules continue without change from 1 July 2022 see more

tax tables australian taxation office - Oct 15 2023

this article provides information about tax tables used in australia including their availability in pdf format as well as updates made from 1 july 2022 such as changes in schedule 8 statement of formulas for calculating study and training support loans components schedule 15 tax table for working holiday see more

weekly tax table australian taxation office - Jun 11 2023

web schedule 2 pay as you go payg withholding nat 1005 weekly tax table incorporating medicare levy and temporary flood and cyclone reconstruction levy flood levy for

weekly tax table federal register of legislation - Jan 06 2023

web column 2 of the weekly tax table including instructions for calculating monthly and quarterly withholding nat 1005 to find the basic amount to withhold of 128

[iras how to read your annual bill and valuation notice - Mar 28 2022](#)

web singapore statutes online is provided by the legislation division of the singapore attorney general s chambers

weekly tax table australian taxation office - Nov 04 2022

web nat 1004 statement of formulas for calculating amounts to be withheld download nat 1005 weekly withholding tax table download nat 1006 fortnightly withholding tax

course outlines bl5305 advanced taxation - Feb 24 2022

web 1 use the weekly tax table including instructions for calculating monthly and quarterly amounts nat 1005 to calculate the weekly withholding amount for your payee s

weekly tax table pay as you go payg withholding nat 1005 - Sep 02 2022

web you should read this publication together with weekly tax table nat 1005 nat 1007 05 2014 working out the withholding amount calculate your employee s total monthly

nat 1006 tax tables 2013 download only - Oct 03 2022

web schedule 2 pay as you go payg withholding nat 1005 weekly tax table incorporating medicare levy with and without leave loading for payments made on or after 1 july

nat 1005 tax tables 2013 - Nov 23 2021

web restructurings use of income tax incentives application of tax treaties and the tax treatment of cross border economic activities and transfer pricing and tax avoidance b intended

pay as you go payg withholding nat 1005 mfpandco com - Aug 13 2023

there are no changes for most withholding schedules and tax tables for 2022 23 income year but updates were made for schedule 8 statement of formulas see more

pay as you go payg withholding nat 1005 australian - May 10 2023

web nat 1005 05 2012 weekly tax table including instructions for calculating monthly and quarterly withholding schedule 2 pay as you go payg withholding nat 1005 for

schedule 1 statement of formulas for calculating amounts to be - Aug 01 2022

web weekly tax table for payments made on or after 13 october 2020 includes the tax offset ready reckoner on page 9 nat 1005 10 2020

student financial supplement scheme weekly tax table - May 30 2022

web nat 1005 weekly tax table for payments made on or after 1 july 2018 includes the tax offset ready reckoner on page 9 *monthly tax table australian taxation office* - Dec 05 2022

web weekly tax table nat 1005 05 2014 pay as you go payg withholding nat 1005 weekly tax table for payments made on or after 1 july 2014 using this table you should use

weekly tax table 2018 19 nat 1005 pay as you go payg - Dec 25 2021

web annual property tax bill property tax is payable yearly in advance at the end of each year iras sends property owners the property tax bill for the following year owners who

higher education loan program weekly tax table australian - Apr 28 2022

web calculate the tax to withhold from weekly fortnightly monthly or quarterly payments about this schedule coefficients for calculation of amounts to be withheld withholding

pay as you go payg withholding nat 1005 australian - Sep 14 2023

this document provides a list of quick links to the pay as you go payg withholding tax tables we produce a range of tax tables to help you work out how see more

welcome to certus accountants - Feb 07 2023

web it applies to withholding payments covered by subdivisions 12 b except sections 12 50 and 12 55 and 12 d of schedule 1 for more information visit ato gov au nat 1005

income tax exemption of foreign income no 5 order 2013 - Jun 30 2022

web nat 1006 tax tables 2013 government publications nov 22 2021 index to the code of federal regulations feb 23 2022 smith hurd illinois annotated statutes sep 20 2021

weekly tax table atotaxrates info - Mar 08 2023

web schedule 2 pay as you go payg withholding nat 1005 weekly tax table incorporating medicare levy with and without leave loading for payments made on or after 1

national university of singapore nus business - Jan 26 2022

web use the weekly tax table including instructions for calculating monthly and quarterly amounts nat 1005 to calculate the weekly withholding amount for your payee s

tax table for additional amounts to withhold as a result of an - Apr 09 2023

web amounts to be withheld nat 1004 available on our website at ato gov au taxtables refer to weekly tax table including instructions for calculating monthly and quarterly

acme a180 a220 manualzz - May 31 2022

web ricambi spare parts ersatzteile pieces detachees repuestos a 220 basic a 230 1560294 short block ricambi spare parts ersatzteile pieces detachees repuestos b

acme a 220 basic ersatzteilzeichnungen ersatzteil service de - Nov 05 2022

web may 5 2021 apr 23 2013 anyone have an acme a220 with parts to sell 1 d dolomite792 member joined mar 28 2013 messages 26 location northern az tractor

acme engines kohler power - May 11 2023

web acme below are our available aftermarket spare parts for acme engines made by top quality manufacturers at competitive prices 30 days money back guarantee we ship

acme a180 a220 pdf scribd - Jul 01 2022

web buy online ignition coil spare parts in our store at the best price with worldwide shipping 3 year warranty valid for acme motori currency

pdf acme a220 a230 pdfslide net - Feb 25 2022

web ersatzteilliste acme motor a 220 997 139 tafel 1843 lüftergehäuse auspuff luftfilter blatt 2 von 2 pos teile nr stück bezeichnung abmessung norm bemerkung 1 005 93 4

acme engine parts parts for acme motori earth - Jun 12 2023

web we keep over 10 000 worth of acme parts in stock there were many different models used as well as variations of models trying to order parts from a parts list can be very

ersatzteilliste für acme motor a 220 - Nov 24 2021

coil a180 a220 acme motori ed00106a1100 s technidiscout - Aug 02 2022

web spark ignition engin table of contents technical features special tools engine dismantling 1 engine identification 2 valves disassembly

anyone have an acme a220 with parts to sell tractorbynet - Sep 03 2022

web acme a180 a220 free download as pdf file pdf or read online for free engine manual for acme motors a180 a220

[acme motori a 220 basic manuals manualslib](#) - Mar 09 2023

web ricambi spare parts ersatzteile pieces detachees repuestos a 220 basic a 230 1560294 short block ricambi spare parts ersatzteile pieces detachees repuestos b

replacement engines earth tools - Jan 07 2023

web acme a 220 basic ersatzteilzeichnungen acme ersatzteilzeichnungen und teilelisten für a 220 basic wir verwenden nur zwingend notwendige bzw essentielle cookies

ersatzteilliste für acme motor a 220 - Jul 13 2023

web ersatzteilliste acme motor a 220 997 139 tafel 1843 lüftergehäuse auspuff luftfilter blatt 2 von 2 pos teile nr stück bezeichnung abmessung norm bemerkung 1 005 93 4

[acme motori a180 ignition coil asvarta](#) - Apr 29 2022

web 1 ricambi spare parts ersatzteile pieces detachees repuestos ricambi spare parts ersatzteile pieces detachees repuestos 1560294 short block a 220 basic a

[acme a220 a230 19n07w2p0klv documents and e books](#) - Mar 29 2022

web created date 3 27 2013 7 12 06 pm

acme a180 a220 at220 lombardini ro - Aug 14 2023

web ricambi spare parts ersatzteile pieces detachees repuestos at 220 ohv a 180 a 220 cod a2740 short block a 180 std elest cod b0456 short block a 220 std elest cod

cloud object storage amazon s3 amazon web services - Dec 26 2021

acme a220 a230 pdf scribd - Feb 08 2023

web a3411 std a220 at a3412 0 5 a3413 1 0 a3414 993010 746107 147132 a3426 std a220 at a3427 0 5 a3428 1 0 a3423 std a180 a3424 0 5

[acme a220 b p spark plugs glow plugs niterra sa ngk](#) - Oct 04 2022

web other parts muffler fuel tanks launchers hydraulic pumps hydraulic parts parts clutch brakes transmissions special mototiller lombardini motors intermotor kohler

acme a220 youtube - Jan 27 2022

web acme ersatzteilzeichnungen und teilelisten für at 220 ohv acme at 220 ohv ersatzteilzeichnungen wir verwenden nur zwingend notwendige bzw essentielle

[spare parts for acme engines dlastore com](#) - Apr 10 2023

web acme motori a 220 basic manuals manuals and user guides for acme motori a 220 basic we have 1 acme motori a 220

basic manual available for free pdf download

at 220 ohv a 180 a 220 ersatzteilservice wmv dresden - Dec 06 2022

web find the best spark plugs for your acme a220 b p our part finder tool identifies spark plugs glow plugs or resistor cap parts specifically for your vehicle

acme at 220 ohv ersatzteilzeichnungen ersatzteil service de - Oct 24 2021

din en 1435 2002 09 beuth de - Aug 03 2022

web standard withdrawn din en 1435 2002 09 non destructive testing of welds radiographic testing of welded joints german version en 1435 1997 a1 2002 german title zerstörungsfreie prüfung von schweißverbindungen durchstrahlungsprüfung von schmelzschweißverbindungen deutsche fassung en 1435 1997 a1 2002 publication

bsi bs en 1435 non destructive testing of welds radiographic - Mar 10 2023

web dec 15 1997 this part of this european standard specifies a device and a method for the determination of the image quality of radiographs other devices are the subject of parts 2 and 5 of the standard

bs en 1435 1997 sai global store - Jan 08 2023

web jan 1 1997 bs en 1435 1997 superseded add to watchlist non destructive examination of welds radiographic examination of welded joints available format s hardcopy pdf superseded date 01 31 2013 language s english published date 01 01 1997 publisher british standards institution

bs en 1435 non destructive examination of welds - Apr 11 2023

web dec 15 1997 the current release of this standard is bs en 1435 1997 non destructive examination of welds radiographic examination of welded joints doi org 10 3403 1859505 published 15 12 1997 this standard is available from the following sources british standards shop shop british standards online bsol

standard detay tse - Oct 05 2022

web bu standard en 13445 3 ek b nin analizle tasarım doğrudan yol dba için muayene ve deney hükümlerini kapsamaz not uygunluk değerlendirme işlemlerindeki tarafların sorumlulukları 97 23 ec sayılı ab direktifinde1 verilmektedir bunun hakkında yardım cr 13445 7 den bulunabilir kapsam İng

bs en 1435 ihs markit standards store - Apr 30 2022

web dec 15 1997 bs en 1435 1997 edition december 15 1997 non destructive testing of welds radiographic testing of welded joints there is no abstract currently available for this document

en 1 4035 stockist en 1 4035 equivalent steel ccsteels com - Dec 27 2021

web mar 20 2015 en 10083 3 2005 of martensitic steel 1 4035 round bar flat bar plate and forgings steelmaking hot forging

rolling heat treatment 100 ultrasonic test cold machined technical data sheet grade en 1 4035 official test certificate issued by tuv sgs bv

standard detayı tse - Feb 26 2022

web İptal standard tÜrk standardi ts no ts 1435 kabul tarihi 9 02 1994 İptal tarihi 23 10 2015 hazırlık grubu elektrik İhtisas grubu doküman tipi yürürlük durumu h İptal edilmiş standard withdrawn standard başlık taşıt kabloları başlık İng cables for vehicles kapsam

bs en 1435 1997 non destructive examination of welds - Dec 07 2022

web bs en 1435 1997 non destructive examination of welds radiographic examination of welded joints british standard this european standard specifies fundamental techniques of radiography with the object of enabling satisfactory

[din en 1435 techstreet.com](#) - Jun 01 2022

web sep 1 2002 din en 1435 non destructive testing of welds radiographic testing of welded joints includes amendment a1 standard by din adopted european standard 09 01 2002 amendments available view all product details

[cen en 1435 non destructive testing of welds](#) - Jun 13 2023

web aug 1 1997 this standard applies to the radiographic testing of fusion welded joints in metallic materials it applies to the joints of plates or pipes besides its conventional meaning pipe as used in this standard should be understood to cover other cylindrical bodies such as tubes penstocks boiler drums and pressure vessels

standard detayı - Sep 04 2022

web uluslararası karşılıklar iso 1106 1 2 3 pren 1435 eqv din en 1435 eqv pren 1435 1995 tercüme edildiği std pren 1435 1995 ics kodu 19 100 tahribatsız deneyler 25 160 40 kaynaklı bağlantılar atıf yapılan std

[radiographic testing of welded joints en 1435](#) - May 12 2023

web en 1435 october 1997 a1 may 2002 ics 25 160 40 english version non destructive testing of welds radiographic testing of welded joints includes amendment a1 2002 contrôle non destructif des assem blages soudés contrôle par radio graphie des assemblages soudés amendement a1 2002 inclus

standard detayı tse - Feb 09 2023

web İptal standard tÜrk standardi ts no ts en iso 17636 1 kabul tarihi 12 06 2013 İptal tarihi 30 09 2022 hazırlık grubu teknik kurul doküman tipi yürürlük durumu ts 5127 en 1435 2002 ts en 1435 a1 2006 ts en 1435 a2 2006 yerine geçen ts en iso 17636 1 2022 yararlanılan kaynak

standard detayı tse - Jul 14 2023

web İptal standard tÜrk standardi ts no ts en 1435 a1 kabul tarihi 25 04 2006 İptal tarihi 12 06 2013 hazırlık grubu teknik kurul doküman tipi yürürlük durumu h İptal edilmiş standard withdrawn standard başlık kaynak dikişlerinin tahribatsız

muayenesi kaynaklı birleřtirmelerin radyografik muayenesi bařlık
standard detayı tse - Jan 28 2022

web bu standard sabit ve ayarlanabilir engelli halatların zelliklerini deney metotlarını kullanma talimatlarını
iřaretlenmesini ve paketlenmesini kapsar kapsam İng this standard specifies the requirements test methods instruction for
use marking and packaging for fixed and adjustable landyards yerine geen ts en 354 2004

standard detayı tse - Jul 02 2022

web trk standardi direktif 2014 35 eu 2006 42 ec ts no ts en 60335 1 kabul tarihi 12 04 2012 hazırlık grubu teknik kurul
dokman tipi yrrlk durumu u yrrlkteki standard standard bařlık gvenlik kuralları ev ve benzeri yerlerde kullanılan
elektrikli cihazlar iin blm 1 genel kurallar

standard detayı tse - Nov 06 2022

web İptal standard trk standardi ts no ts en 334 kabul tarihi 3 04 2008 İptal tarihi 23 03 2010 hazırlık grubu tesisat ve
basınlı kaplar zel daimi komitesi ts en 1418 2003 ts 5127 en 1435 2002 ts en 1712 2002 ts en 1713 2002 ts en 1714 2002
ts en 10045 1 1999 ts en 10204 2007

standard non destructive examination of welds radiographic - Mar 30 2022

web standard swedish standard ss en 1435 non destructive examination of welds radiographic examination of welded joints
status withdrawn replaced by ss en iso 17636 2 2013 ss en iso 17636 1 2013 ss en iso 17636 2 2013 ss en iso 17636 1 2013
amended by ss en 1435 a2 2004 ss en 1435 a1 preview this standard scope

standard detayı tse - Aug 15 2023

web ts en 1435 a1 2006 ts en 1435 a2 2006 yararlanılan kaynak en 1435 1997 uluslararası karřılıklar iso dis 17636 eqv en
1435 1997 eqv bs en 1435 eqv din en 1435 nf a89 510 nf en 1435 eqv tercme edildiĐi std en 1435 1997 ics kodu 25 160 40
kaynaklı baĐlantılar atıf yapılan std