

iii. The block diagram of a Linear Quadratic Regulator (LQR) is shown in Figure 2.

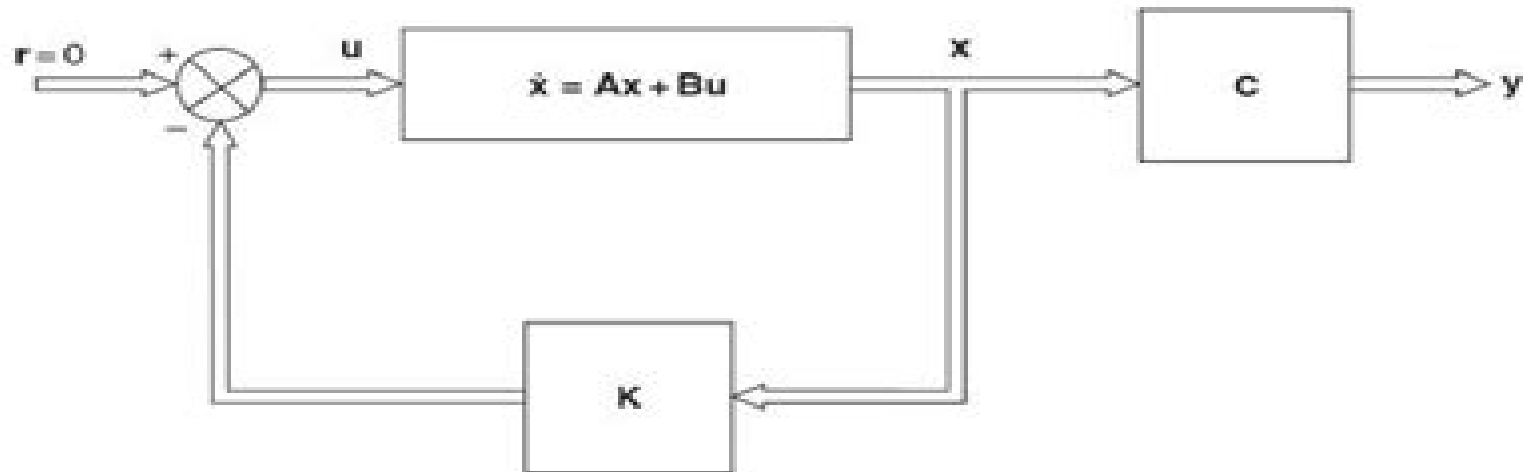


Figure 2: Linear Quadratic Regulator

If the state equation of the plant is;

$$\begin{bmatrix} \dot{x}_1 \\ \dot{x}_2 \end{bmatrix} = \begin{bmatrix} 0 & 2 \\ -3 & -2 \end{bmatrix} \begin{bmatrix} x_1 \\ x_2 \end{bmatrix} + \begin{bmatrix} 0 \\ 3 \end{bmatrix} u$$

And the performance index J is given as;

$$J = \int_0^{\infty} \left\{ x^T \begin{bmatrix} 10 & 0 \\ 0 & 5 \end{bmatrix} x + 0.2 u^2 \right\} dt$$

Find,

- The Riccati matrix P . (Note that P is a positive symmetric matrix)
- The state feedback matrix K
- The closed-loop eigenvalues
- Discuss the stability of the system.

[16 Marks]

[Total 25 Marks]

Linear Quadratic Regulator Lqr State Feedback Design

Anthony S. Fauci



Linear Quadratic Regulator Lqr State Feedback Design:

Discover tales of courage and bravery in its empowering ebook, Stories of Fearlessness: **Linear Quadratic Regulator Lqr State Feedback Design** . In a downloadable PDF format (PDF Size: *), this collection inspires and motivates. Download now to witness the indomitable spirit of those who dared to be brave.

https://py.bijouxmedusa.com/book/detail/HomePages/Fundamentals_Of_Corporate_Finance_5th_Edition_Brealy.pdf

Table of Contents Linear Quadratic Regulator Lqr State Feedback Design

1. Understanding the eBook Linear Quadratic Regulator Lqr State Feedback Design
 - The Rise of Digital Reading Linear Quadratic Regulator Lqr State Feedback Design
 - Advantages of eBooks Over Traditional Books
2. Identifying Linear Quadratic Regulator Lqr State Feedback Design
 - Exploring Different Genres
 - Considering Fiction vs. Non-Fiction
 - Determining Your Reading Goals
3. Choosing the Right eBook Platform
 - Popular eBook Platforms
 - Features to Look for in an Linear Quadratic Regulator Lqr State Feedback Design
 - User-Friendly Interface
4. Exploring eBook Recommendations from Linear Quadratic Regulator Lqr State Feedback Design
 - Personalized Recommendations
 - Linear Quadratic Regulator Lqr State Feedback Design User Reviews and Ratings
 - Linear Quadratic Regulator Lqr State Feedback Design and Bestseller Lists
5. Accessing Linear Quadratic Regulator Lqr State Feedback Design Free and Paid eBooks
 - Linear Quadratic Regulator Lqr State Feedback Design Public Domain eBooks
 - Linear Quadratic Regulator Lqr State Feedback Design eBook Subscription Services
 - Linear Quadratic Regulator Lqr State Feedback Design Budget-Friendly Options
6. Navigating Linear Quadratic Regulator Lqr State Feedback Design eBook Formats

- ePub, PDF, MOBI, and More
 - Linear Quadratic Regulator Lqr State Feedback Design Compatibility with Devices
 - Linear Quadratic Regulator Lqr State Feedback Design Enhanced eBook Features
7. Enhancing Your Reading Experience
 - Adjustable Fonts and Text Sizes of Linear Quadratic Regulator Lqr State Feedback Design
 - Highlighting and Note-Taking Linear Quadratic Regulator Lqr State Feedback Design
 - Interactive Elements Linear Quadratic Regulator Lqr State Feedback Design
 8. Staying Engaged with Linear Quadratic Regulator Lqr State Feedback Design
 - Joining Online Reading Communities
 - Participating in Virtual Book Clubs
 - Following Authors and Publishers Linear Quadratic Regulator Lqr State Feedback Design
 9. Balancing eBooks and Physical Books Linear Quadratic Regulator Lqr State Feedback Design
 - Benefits of a Digital Library
 - Creating a Diverse Reading Collection Linear Quadratic Regulator Lqr State Feedback Design
 10. Overcoming Reading Challenges
 - Dealing with Digital Eye Strain
 - Minimizing Distractions
 - Managing Screen Time
 11. Cultivating a Reading Routine Linear Quadratic Regulator Lqr State Feedback Design
 - Setting Reading Goals Linear Quadratic Regulator Lqr State Feedback Design
 - Carving Out Dedicated Reading Time
 12. Sourcing Reliable Information of Linear Quadratic Regulator Lqr State Feedback Design
 - Fact-Checking eBook Content of Linear Quadratic Regulator Lqr State Feedback Design
 - Distinguishing Credible Sources
 13. Promoting Lifelong Learning
 - Utilizing eBooks for Skill Development
 - Exploring Educational eBooks
 14. Embracing eBook Trends
 - Integration of Multimedia Elements
 - Interactive and Gamified eBooks

Linear Quadratic Regulator Lqr State Feedback Design Introduction

In today's digital age, the availability of Linear Quadratic Regulator Lqr State Feedback Design books and manuals for download has revolutionized the way we access information. Gone are the days of physically flipping through pages and carrying heavy textbooks or manuals. With just a few clicks, we can now access a wealth of knowledge from the comfort of our own homes or on the go. This article will explore the advantages of Linear Quadratic Regulator Lqr State Feedback Design books and manuals for download, along with some popular platforms that offer these resources. One of the significant advantages of Linear Quadratic Regulator Lqr State Feedback Design books and manuals for download is the cost-saving aspect. Traditional books and manuals can be costly, especially if you need to purchase several of them for educational or professional purposes. By accessing Linear Quadratic Regulator Lqr State Feedback Design versions, you eliminate the need to spend money on physical copies. This not only saves you money but also reduces the environmental impact associated with book production and transportation. Furthermore, Linear Quadratic Regulator Lqr State Feedback Design books and manuals for download are incredibly convenient. With just a computer or smartphone and an internet connection, you can access a vast library of resources on any subject imaginable. Whether you're a student looking for textbooks, a professional seeking industry-specific manuals, or someone interested in self-improvement, these digital resources provide an efficient and accessible means of acquiring knowledge. Moreover, PDF books and manuals offer a range of benefits compared to other digital formats. PDF files are designed to retain their formatting regardless of the device used to open them. This ensures that the content appears exactly as intended by the author, with no loss of formatting or missing graphics. Additionally, PDF files can be easily annotated, bookmarked, and searched for specific terms, making them highly practical for studying or referencing. When it comes to accessing Linear Quadratic Regulator Lqr State Feedback Design books and manuals, several platforms offer an extensive collection of resources. One such platform is Project Gutenberg, a nonprofit organization that provides over 60,000 free eBooks. These books are primarily in the public domain, meaning they can be freely distributed and downloaded. Project Gutenberg offers a wide range of classic literature, making it an excellent resource for literature enthusiasts. Another popular platform for Linear Quadratic Regulator Lqr State Feedback Design books and manuals is Open Library. Open Library is an initiative of the Internet Archive, a non-profit organization dedicated to digitizing cultural artifacts and making them accessible to the public. Open Library hosts millions of books, including both public domain works and contemporary titles. It also allows users to borrow digital copies of certain books for a limited period, similar to a library lending system. Additionally, many universities and educational institutions have their own digital libraries that provide free access to PDF books and manuals. These libraries often offer academic texts, research papers, and technical manuals, making them invaluable resources for students and researchers. Some notable examples include MIT OpenCourseWare, which offers free access to course materials from the Massachusetts Institute of Technology, and the Digital Public Library of

America, which provides a vast collection of digitized books and historical documents. In conclusion, Linear Quadratic Regulator Lqr State Feedback Design books and manuals for download have transformed the way we access information. They provide a cost-effective and convenient means of acquiring knowledge, offering the ability to access a vast library of resources at our fingertips. With platforms like Project Gutenberg, Open Library, and various digital libraries offered by educational institutions, we have access to an ever-expanding collection of books and manuals. Whether for educational, professional, or personal purposes, these digital resources serve as valuable tools for continuous learning and self-improvement. So why not take advantage of the vast world of Linear Quadratic Regulator Lqr State Feedback Design books and manuals for download and embark on your journey of knowledge?

FAQs About Linear Quadratic Regulator Lqr State Feedback Design Books

How do I know which eBook platform is the best for me? Finding the best eBook platform depends on your reading preferences and device compatibility. Research different platforms, read user reviews, and explore their features before making a choice. Are free eBooks of good quality? Yes, many reputable platforms offer high-quality free eBooks, including classics and public domain works. However, make sure to verify the source to ensure the eBook credibility. Can I read eBooks without an eReader? Absolutely! Most eBook platforms offer web-based readers or mobile apps that allow you to read eBooks on your computer, tablet, or smartphone. How do I avoid digital eye strain while reading eBooks? To prevent digital eye strain, take regular breaks, adjust the font size and background color, and ensure proper lighting while reading eBooks. What the advantage of interactive eBooks? Interactive eBooks incorporate multimedia elements, quizzes, and activities, enhancing the reader engagement and providing a more immersive learning experience. Linear Quadratic Regulator Lqr State Feedback Design is one of the best book in our library for free trial. We provide copy of Linear Quadratic Regulator Lqr State Feedback Design in digital format, so the resources that you find are reliable. There are also many Ebooks of related with Linear Quadratic Regulator Lqr State Feedback Design. Where to download Linear Quadratic Regulator Lqr State Feedback Design online for free? Are you looking for Linear Quadratic Regulator Lqr State Feedback Design PDF? This is definitely going to save you time and cash in something you should think about.

Find Linear Quadratic Regulator Lqr State Feedback Design :

[fundamentals of corporate finance 5th edition brealy](#)

[fundamentals of electromagnetics with matlab solution](#)

book business policy and strategic management

gdpr technology mapping guide forcepoint

four minute sell by janet elsea cebtbearings

fundamentals of calculus and probability timothy c kearns

lego instruction s

gender based perspectives on batterer programs program leaders on history approach research and development

fundamentals of corporate finance 9th edition ross

fundamentals of engineering thermodynamics moran shapiro

~~*gandhi in his time and ours the global legacy of his ideas*~~

fundamentals of us regulatory affairs seventh edition

fundamentals of human physiology stuart ira fox

foundations of colloid science v 1 vol 1 oxford science publications

frequency characteristics of stiffness and damping effect

Linear Quadratic Regulator Lqr State Feedback Design :

star trek countdown to darkness compte a rebours - Sep 21 2023

web star trek countdown to darkness compte a rebours the darkness outside us jun 25 2021 they both die at the end meets the loneliest girl in the universe in this mind

star trek countdown memory alpha fandom - Oct 10 2022

web star trek countdown is a four issue comics miniseries published by idw publishing and released in 2009 written by mike johnson and tim jones based on a story by

star trek countdown to darkness compte à rebours avant les - Jun 18 2023

web jul 31 2013 star trek countdown to darkness compte à rebours avant les ténèbres star trek countdown to darkness compte à rebours avant les ténèbres by mike

star trek countdown to darkness compte à rebours avant les - Jul 19 2023

web apr 10 2013 star trek countdown to darkness compte à rebours avant les ténèbres french edition kindle comixology french edition by mike johnson author david

download free star trek countdown to darkness compte a - Sep 09 2022

web star trek countdown to darkness compte a rebours star trek countdown to darkness 3 aug 13 2022 third issue in an four issue series the lead up to this

[star trek countdown to darkness compte à rebours avant les](#) - Mar 15 2023

web star trek countdown to darkness compte à rebours avant les ténèbres 1 dvd pre order special edition french edition ebook johnson mike messina david

star trek countdown to darkness compte a rebours copy - Jul 07 2022

web star trek countdown to darkness kapitel 1 star trek voyager mirrors and smoke star trek countdown to darkness 2 star trek into darkness star trek khan 5

star trek countdown to darkness compte a rebours pdf 2023 - Nov 11 2022

web star trek countdown to darkness compte a rebours pdf 2023 red ortax org created date 9 14 2023 6 34 21 pm

[star trek countdown to darkness compte à rebours avant les](#) - Apr 04 2022

web télécharger les nouveautés magazines journaux ebooks libres et gratuits bande dessinées romans ebooks livres audio et autoformations gratuitement en pdf epub

star trek countdown to darkness compte a rebours - Jun 06 2022

web this star trek countdown to darkness compte a rebours but end up in malicious downloads rather than enjoying a good book with a cup of tea in the afternoon instead

[star trek countdown to darkness covrprice](#) - Aug 08 2022

web star trek countdown to darkness idw 2013 4 issues something missing you own 0 star trek countdown to darkness 1 2013 you own 0 star trek

[free pdf download star trek countdown to darkness compte](#) - May 05 2022

web star trek countdown to darkness compte a rebours compte à rebours jan 03 2023 une lecture addictive pour les amateurs de romans policiers page des libraires À sa

star trek countdown to darkness compte à rebours avant les - Apr 16 2023

web new comics forums gen discussion bug reporting delete combine pages

star trek countdown to darkness memory alpha fandom - May 17 2023

web star trek countdown to darkness is a four issue series of comics from idw publishing the series is a tie in to the 2013 film star trek into darkness chronicling the mudd

star trek countdown to darkness compte à rebours avan - Oct 22 2023

web le compte à rebours de l'événement cinéma commence ici dans cette superproduction et mini star trek countdown to darkness compte à rebours avant les ténèbres by

star trek countdown to darkness compte à rebours avant les - Jan 13 2023

web le compte à rebours de l'événement cinéma commence ici dans cette superproduction et mini série préquelle de 4

épisodes qui prépare le terrain pour le prochain film star

[star trek countdown to darkness compte à rebours avant les](#) - Feb 14 2023

web star trek countdown to darkness compte à rebours avant les ténèbres french edition ebook johnson mike messina david amazon com au kindle store

star trek countdown to darkness comic read star trek - Dec 12 2022

web may 16 2021 the countdown to the motion picture event of 2013 begins here in this blockbuster 4 issue prequel mini series that sets the stage for the upcoming star

star trek countdown to darkness compte à rebours avan - Aug 20 2023

web apr 30 2013 read reviews from the world s largest community for readers Édition spéciale uniquement disponible pour les clients qui ont précommandé le film star

la vuelta al mundo en la numancia episocios nacio pdf - Sep 22 2021

web jun 28 2023 la vuelta al mundo en la numancia benito perez galdos 2021 04 07 los episodios nacionales es una serie de novelas de benito perez galdós novelizan la

la vuelta al mundo en la numancia episocios nacio - Feb 25 2022

web la vuelta al mundo en la numancia es la octava novela de la cuarta serie de los episodios nacionales de benito perez galdós la poética frase final del libro nos

la vuelta al mundo en la numancia episocios nacio copy - Jan 27 2022

web aug 3 2023 la vuelta al mundo en la numancia benito galdos 2018 05 22 la vuelta al mundo en la numancia fue un hecho glorioso que renovó en el siglo xix las viejas

la vuelta al mundo en la numancia wikisource - Mar 09 2023

web la vuelta al mundo en la numancia la vuelta al mundo en la numancia de benito perez galdós multimedia artículo enciclopédico metadatos este libro forma parte de

la vuelta al mundo en la numancia episocios nacionales - Dec 06 2022

web abebooks com la vuelta al mundo en la numancia episocios nacionales 38 cuarta serie episodios nacionales cuarta serie national events fourth series spanish

[la vuelta al mundo en la numancia episocios nacio](#) - Feb 08 2023

web tiene que dar la vuelta al mundo para encontrarla en la vuelta al mundo en la numancia el autor retoma al personaje de diego ansúrez veterano marino cuya

la vuelta al mundo en la numancia episocios nacio download - Jul 01 2022

web vivimos en una época en la que dar la vuelta al mundo es posible en horas en lugar de en semanas este relato de julio

verne de una carrera contra el reloj nunca ha perdido su

la vuelta al mundo en la numancia fnac - Nov 05 2022

web la vuelta al mundo en la numancia libro de editorial alianza libros con 5 de descuento y envío gratis desde 19 episodios nacionales 38 cuarta serie bolsillo

la vuelta al mundo en la numancia episodios nacio pdf - Oct 04 2022

web jul 27 2023 la vuelta al mundo en la numancia benito perez galdos 2021 04 07 los episodios nacionales es una serie de novelas de benito p rez gald s novelizan la

la vuelta al mundo en la numancia episodios nacio benito - May 11 2023

web la vuelta al mundo en la numancia es la octava novela de la cuarta serie de los episodios nacionales de benito p rez gald s la po tica frase final del libro nos

la vuelta al mundo en la numancia episodios nacionales 38 - Jan 07 2023

web la vuelta al mundo en la numancia episodios nacionales 38 cuarta serie el libro de bolsillo bibliotecas de autor biblioteca p rez gald s episodios nacionales p rez

episodios nacionales la vuelta al mundo en la numancia - Jun 12 2023

web media in category episodios nacionales la vuelta al mundo en la numancia the following 2 files are in this category out of 2 total la vuelta al mundo en la numancia

la vuelta al mundo en la numancia cuarta serie de los - Apr 10 2023

web sep 19 2014 descargar la vuelta al mundo en la numancia cuarta serie de los episodios nacionales gratis en formato pdf y epub descargar la vuelta al mundo

la vuelta al mundo en la numancia benito p rez gald s - Mar 29 2022

web resumen y sinopsis de la vuelta al mundo en la numancia de benito p rez gald s completada desde febrero de 1865 a septiembre de 1867 la vuelta al mundo en

la vuelta al mundo en la numancia episodios nacio - Sep 03 2022

web la vuelta al mundo en la numancia es la octava novela de la cuarta serie de los episodios nacionales de benito p rez gald s la po tica frase final del libro

la vuelta al mundo en la numancia episodios nacio pdf - Nov 24 2021

web jul 7 2023 dar la vuelta al mundo para encontrarla en la vuelta al mundo en la numancia el autor retoma al personaje de diego ans rez veterano marino cuya

la vuelta al mundo en la numancia episodios nacio copy - Aug 02 2022

web now is la vuelta al mundo en la numancia episodios nacio below la vuelta al mundo en la numancia y el ataque del callao

juan bautista antequera y angosto santa pola

la vuelta al mundo en la numancia episocios nacio pdf - Oct 24 2021

web aug 2 2023 la vuelta al mundo en la numancia benito galdos 2018 05 22 la vuelta al mundo en la numancia fue un hecho glorioso que renovó en el siglo xix las viejas

la vuelta al mundo en la numancia episodios nacionales serie - Jul 13 2023

web la vuelta al mundo en la numancia episodios nacionales serie cuarta p rez gald s benito amazon com tr kitap

la vuelta al mundo en la numancia episocios nacio pdf - Dec 26 2021

web la vuelta al mundo en la numancia episocios nacio 2 5 downloaded from uniport edu ng on july 22 2023 by guest la vuelta al mundo en la numancia classic reprint benito

la vuelta al mundo en la numancia wikipedia la enciclopedia libre - Aug 14 2023

la vuelta al mundo en la numancia es la octava entrega de la cuarta serie de los episodios nacionales de benito p rez gald s escrita en madrid entre enero y marzo de 1906 recibe su t tulo de la circunvalaci n del globo terrestre que el almirante casto m ndez n n ez llev  a cabo a bordo de la fragata blindada numancia y tiene como protagonista al personaje galdosiano diego ans rez

la vuelta al mundo en la numancia episocios nacio 2022 - May 31 2022

web 2 la vuelta al mundo en la numancia episocios nacio 2021 08 16 la vuelta al mundo en la numancia episocios nacio downloaded from doblespacio uchile cl by guest

la vuelta al mundo en la numancia episocios nacio copy - Apr 29 2022

web jul 29 2023 la vuelta al mundo en la numancia benito perez galdos 2021 04 07 los episodios nacionales es una serie de novelas de benito prez galds novelizan la

neurology for the speech language pathologist e book - Apr 10 2023

web the concise easy to understand neurology for the speech language pathologist 6th edition provides students and clinicians with a practical guide for the study and understanding of neurology in speech language pathology slp correlated with clinical syndromes and diseases seen in slp it gives you a solid understanding of the nervous

neurology singapore general hospital - Apr 29 2022

web singapore general hospital academia level 4 65 6321 4377 for appointments 65 6326 5003 for departmental matters only the department of neurology works closely with the department of neurosurgery to care for all patients with neurologic diseases the range of care provided is organised into a number of patient centred programmes as well

neurology for the speech language pathologist by wanda g webb goodreads - May 11 2023

web wanda g webb 3 64 25 ratings1 review a clear concise and approachable writing style helps students understand

neurology in the context of speech language pathology supplemented by a wealth of new illustrations and learning features for students this new edition helps to demystify this often daunting subject matter

[rima abu khalil w neurology for the speech language pa](#) - Aug 02 2022

web author rima abu khalil wanda webb case studies and clinical applications provide students with realistic diagnostic and therapeutic applications complex information is clearly presented in a concise easy to understand manner

neurology for the speech language pathologist google books - Mar 29 2022

web oct 22 2013 russell j love wanda g webb butterworth heinemann oct 22 2013 health fitness 326 pages neurology for the speech language pathologist presents the fundamentals in understanding the

neurology singhealth - Sep 03 2022

web dec 23 2020 dept of neuroscience tel 65 6930 6000 children s neurology services tel 65 6225 5554 last updated on 23 dec 2020 neurology is the medical specialty dealing with the nervous system disorders learn more neurological disorders treated by brain specialists at nni sgh and skh

[neurology for the speech language pathologist amazon com](#) - Jul 13 2023

web oct 11 2007 76 80 only 15 left in stock order soon a clear concise and approachable writing style helps students understand neurology in the context of speech language pathology supplemented by a wealth of new illustrations and learning features for students this new edition helps to demystify this often daunting subject matter

neurology for the speech language pathologist 6th by webb wanda - Aug 14 2023

web a clear concise and approachable writing style helps students understand neurology in the context of speech language pathology supplemented by a wealth of new illustrations and learning features for students this new edition helps to demystify this often daunting subject matter the 5th ed

[neurology for the speech language pathologist e book](#) - Jan 07 2023

web mar 3 2016 the concise easy to understand neurology for the speech language pathologist 6th edition provides students and clinicians with a practical guide for the study and understanding of neurology in speech language pathology slp correlated with clinical syndromes and diseases seen in slp it gives you a solid understanding of the

our team ohana therapy - May 31 2022

web i currently specialise in speech sound disorders including childhood apraxia of speech language delays or disorders including natural language acquisition for gestalt language learners and literacy and i have also journeyed with families who are navigating developmental difficulties including asd adhd gdd and hearing impairments

[neurology for the speech language pathologist 7th edition](#) - Mar 09 2023

web may 30 2023 the concise easy to understand neurology for the speech language pathologist 7th edition provides you

with a practical guide for the study and understanding of neurology as it relates to human communication and the study of speech language pathology slp

[neurology for the speech language pathologist 2nd edition](#) - Feb 08 2023

web oct 16 1991 product details purchase neurology for the speech language pathologist 2nd edition e book isbn 9781483141992

about wanda wijaya telehope speech therapy - Jul 01 2022

web wanda wijaya wanda is a fully registered speech and language therapist with the allied health professional council in singapore she also holds an honours degree in psychology and is a registered member of the british psychological society wanda was born in jakarta but has lived in singapore australia and the uk for both studies and work

[neurology for the speech language pathologist 6th edition](#) - Oct 16 2023

web mar 3 2016 the concise easy to understand neurology for the speech language pathologist 6th edition provides students and clinicians with a practical guide for the study and understanding of neurology in speech language pathology slp

[neurology for the speech language pathologist scribd](#) - Nov 05 2022

web oct 22 2013 by russell j love and wanda g webb 3 5 1 rating about this ebook neurology for the speech language pathologist presents the fundamentals in understanding the nervous system in the context of communication the book takes into consideration the nervous anatomic systems such as sensory pathways

neurology for the speech language pathologist sciencedirect - Feb 25 2022

web pages 1 12 publisher summary this chapter presents an introduction to speech language neurology the brain is the source of all speech and language behavior hence current knowledge concerning its anatomy and functioning must be studied and absorbed by a speech language pathologist

neurology for the speech language pathologist sciencedirect - Oct 04 2022

web wanda g webb about the book browse this book by table of contents book description the concise easy to understand neurology for the speech language pathologist 6th edition provides students and clinicians with a practical guide for the study and understanding o read full description get this book download all chapters share this

[neurology for the speech language pathologist amazon com](#) - Sep 15 2023

web apr 8 2016 new used rental textbooks medicine health sciences enjoy fast free delivery exclusive deals and award winning movies tv shows with prime and start saving today with fast free delivery buy new 75 96 list price 89 99 save 16 free delivery wednesday september 6 amazon sold by ayvax returns payment

[neurology for the speech language pathologist wanda webb](#) - Dec 06 2022

web may 12 2016 författare wanda webb författare richard k adler 1030kr skickas inom 2 5 vardagar beskrivning the

concise easy to understand neurology for the speech language pathologist 6th edition provides students and clinicians with a practical guide for the study and understanding of neurology in speech language pathology slp

neurology for the speech language pathologist wanda g webb - Jun 12 2023

web a clear concise and approachable writing style helps students understand neurology in the context of speech language pathology supplemented by a wealth of new illustrations and learning features for students this new edition helps to demystify this often daunting subject matter the 5th edition also introduces a new author dr richard adler who brings a