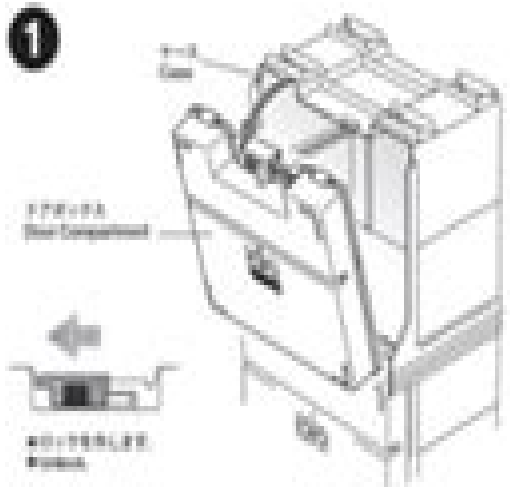


1



2



3



ATTACH THE FRONT COVER TO THE FRONT OF THE CART. MAKE SURE THE FRONT COVER IS PROPERLY ALIGNED WITH THE FRONT OF THE CART.



ATTACH THE FRONT COVER TO THE FRONT OF THE CART. MAKE SURE THE FRONT COVER IS PROPERLY ALIGNED WITH THE FRONT OF THE CART.

DO NOT FORCE THE FRONT COVER ONTO THE FRONT OF THE CART. IF IT DOES NOT FIT, CHECK THE ALIGNMENT OF THE FRONT COVER.

4

ATTACH THE FRONT COVER TO THE FRONT OF THE CART. MAKE SURE THE FRONT COVER IS PROPERLY ALIGNED WITH THE FRONT OF THE CART.

ATTACH THE FRONT COVER TO THE FRONT OF THE CART. MAKE SURE THE FRONT COVER IS PROPERLY ALIGNED WITH THE FRONT OF THE CART.

DO NOT FORCE THE FRONT COVER ONTO THE FRONT OF THE CART. IF IT DOES NOT FIT, CHECK THE ALIGNMENT OF THE FRONT COVER.

Abr202a Technical Manual

Xiang Xie



Abr202a Technical Manual:

Unveiling the Magic of Words: A Overview of "**Abr202a Technical Manual**"

In a global defined by information and interconnectivity, the enchanting power of words has acquired unparalleled significance. Their capability to kindle emotions, provoke contemplation, and ignite transformative change is truly awe-inspiring. Enter the realm of "**Abr202a Technical Manual**," a mesmerizing literary masterpiece penned by a distinguished author, guiding readers on a profound journey to unravel the secrets and potential hidden within every word. In this critique, we shall delve in to the book is central themes, examine its distinctive writing style, and assess its profound impact on the souls of its readers.

<https://py.bijouxmedusa.com/files/Resources/HomePages/complex%20analysis%20for%20mathematics%20and%20engineering.pdf>

Table of Contents Abr202a Technical Manual

1. Understanding the eBook Abr202a Technical Manual
 - The Rise of Digital Reading Abr202a Technical Manual
 - Advantages of eBooks Over Traditional Books
2. Identifying Abr202a Technical Manual
 - Exploring Different Genres
 - Considering Fiction vs. Non-Fiction
 - Determining Your Reading Goals
3. Choosing the Right eBook Platform
 - Popular eBook Platforms
 - Features to Look for in an Abr202a Technical Manual
 - User-Friendly Interface
4. Exploring eBook Recommendations from Abr202a Technical Manual
 - Personalized Recommendations
 - Abr202a Technical Manual User Reviews and Ratings

- Abr202a Technical Manual and Bestseller Lists
- 5. Accessing Abr202a Technical Manual Free and Paid eBooks
 - Abr202a Technical Manual Public Domain eBooks
 - Abr202a Technical Manual eBook Subscription Services
 - Abr202a Technical Manual Budget-Friendly Options
- 6. Navigating Abr202a Technical Manual eBook Formats
 - ePub, PDF, MOBI, and More
 - Abr202a Technical Manual Compatibility with Devices
 - Abr202a Technical Manual Enhanced eBook Features
- 7. Enhancing Your Reading Experience
 - Adjustable Fonts and Text Sizes of Abr202a Technical Manual
 - Highlighting and Note-Taking Abr202a Technical Manual
 - Interactive Elements Abr202a Technical Manual
- 8. Staying Engaged with Abr202a Technical Manual
 - Joining Online Reading Communities
 - Participating in Virtual Book Clubs
 - Following Authors and Publishers Abr202a Technical Manual
- 9. Balancing eBooks and Physical Books Abr202a Technical Manual
 - Benefits of a Digital Library
 - Creating a Diverse Reading Collection Abr202a Technical Manual
- 10. Overcoming Reading Challenges
 - Dealing with Digital Eye Strain
 - Minimizing Distractions
 - Managing Screen Time
- 11. Cultivating a Reading Routine Abr202a Technical Manual
 - Setting Reading Goals Abr202a Technical Manual
 - Carving Out Dedicated Reading Time
- 12. Sourcing Reliable Information of Abr202a Technical Manual
 - Fact-Checking eBook Content of Abr202a Technical Manual
 - Distinguishing Credible Sources

13. Promoting Lifelong Learning
 - Utilizing eBooks for Skill Development
 - Exploring Educational eBooks
14. Embracing eBook Trends
 - Integration of Multimedia Elements
 - Interactive and Gamified eBooks

Abr202a Technical Manual Introduction

In the digital age, access to information has become easier than ever before. The ability to download Abr202a Technical Manual has revolutionized the way we consume written content. Whether you are a student looking for course material, an avid reader searching for your next favorite book, or a professional seeking research papers, the option to download Abr202a Technical Manual has opened up a world of possibilities. Downloading Abr202a Technical Manual provides numerous advantages over physical copies of books and documents. Firstly, it is incredibly convenient. Gone are the days of carrying around heavy textbooks or bulky folders filled with papers. With the click of a button, you can gain immediate access to valuable resources on any device. This convenience allows for efficient studying, researching, and reading on the go. Moreover, the cost-effective nature of downloading Abr202a Technical Manual has democratized knowledge. Traditional books and academic journals can be expensive, making it difficult for individuals with limited financial resources to access information. By offering free PDF downloads, publishers and authors are enabling a wider audience to benefit from their work. This inclusivity promotes equal opportunities for learning and personal growth. There are numerous websites and platforms where individuals can download Abr202a Technical Manual. These websites range from academic databases offering research papers and journals to online libraries with an expansive collection of books from various genres. Many authors and publishers also upload their work to specific websites, granting readers access to their content without any charge. These platforms not only provide access to existing literature but also serve as an excellent platform for undiscovered authors to share their work with the world. However, it is essential to be cautious while downloading Abr202a Technical Manual. Some websites may offer pirated or illegally obtained copies of copyrighted material. Engaging in such activities not only violates copyright laws but also undermines the efforts of authors, publishers, and researchers. To ensure ethical downloading, it is advisable to utilize reputable websites that prioritize the legal distribution of content. When downloading Abr202a Technical Manual, users should also consider the potential security risks associated with online platforms. Malicious actors may exploit vulnerabilities in unprotected websites to distribute malware or steal personal information. To protect themselves, individuals should ensure their devices have reliable antivirus software installed and

validate the legitimacy of the websites they are downloading from. In conclusion, the ability to download Abr202a Technical Manual has transformed the way we access information. With the convenience, cost-effectiveness, and accessibility it offers, free PDF downloads have become a popular choice for students, researchers, and book lovers worldwide. However, it is crucial to engage in ethical downloading practices and prioritize personal security when utilizing online platforms. By doing so, individuals can make the most of the vast array of free PDF resources available and embark on a journey of continuous learning and intellectual growth.

FAQs About Abr202a Technical Manual Books

How do I know which eBook platform is the best for me? Finding the best eBook platform depends on your reading preferences and device compatibility. Research different platforms, read user reviews, and explore their features before making a choice. Are free eBooks of good quality? Yes, many reputable platforms offer high-quality free eBooks, including classics and public domain works. However, make sure to verify the source to ensure the eBook credibility. Can I read eBooks without an eReader? Absolutely! Most eBook platforms offer webbased readers or mobile apps that allow you to read eBooks on your computer, tablet, or smartphone. How do I avoid digital eye strain while reading eBooks? To prevent digital eye strain, take regular breaks, adjust the font size and background color, and ensure proper lighting while reading eBooks. What the advantage of interactive eBooks? Interactive eBooks incorporate multimedia elements, quizzes, and activities, enhancing the reader engagement and providing a more immersive learning experience. Abr202a Technical Manual is one of the best book in our library for free trial. We provide copy of Abr202a Technical Manual in digital format, so the resources that you find are reliable. There are also many Ebooks of related with Abr202a Technical Manual. Where to download Abr202a Technical Manual online for free? Are you looking for Abr202a Technical Manual PDF? This is definitely going to save you time and cash in something you should think about. If you trying to find then search around for online. Without a doubt there are numerous these available and many of them have the freedom. However without doubt you receive whatever you purchase. An alternate way to get ideas is always to check another Abr202a Technical Manual. This method for see exactly what may be included and adopt these ideas to your book. This site will almost certainly help you save time and effort, money and stress. If you are looking for free books then you really should consider finding to assist you try this. Several of Abr202a Technical Manual are for sale to free while some are payable. If you arent sure if the books you would like to download works with for usage along with your computer, it is possible to download free trials. The free guides make it easy for someone to free access online library for download books to your device. You can get free download on free trial for lots of books categories. Our library is the biggest of these that have literally hundreds of thousands of different products

categories represented. You will also see that there are specific sites catered to different product types or categories, brands or niches related with Abr202a Technical Manual. So depending on what exactly you are searching, you will be able to choose e books to suit your own need. Need to access completely for Campbell Biology Seventh Edition book? Access Ebook without any digging. And by having access to our ebook online or by storing it on your computer, you have convenient answers with Abr202a Technical Manual To get started finding Abr202a Technical Manual, you are right to find our website which has a comprehensive collection of books online. Our library is the biggest of these that have literally hundreds of thousands of different products represented. You will also see that there are specific sites catered to different categories or niches related with Abr202a Technical Manual So depending on what exactly you are searching, you will be able to choose ebook to suit your own need. Thank you for reading Abr202a Technical Manual. Maybe you have knowledge that, people have search numerous times for their favorite readings like this Abr202a Technical Manual, but end up in harmful downloads. Rather than reading a good book with a cup of coffee in the afternoon, instead they juggled with some harmful bugs inside their laptop. Abr202a Technical Manual is available in our book collection an online access to it is set as public so you can download it instantly. Our digital library spans in multiple locations, allowing you to get the most less latency time to download any of our books like this one. Merely said, Abr202a Technical Manual is universally compatible with any devices to read.

Find Abr202a Technical Manual :

[complex analysis for mathematics and engineering](#)

companies in midc nagpur address contact

[community medicine suryakantha](#)

~~complete korean beginner to intermediate course book and audio support learn to read write speak and understand a new language with teach yourself teach yourself language~~

conceptual physics chapter 9 energy answers

computer networking a top down approach 4th edition

computer practice n4 previous question papers

concepts of programming languages 9th edition

[como la sombra que se va antonio munoz molina](#)

common entrance past papers maths

company car tax calculator comcar

commercial bank exam past papers

communicating in business a short course for business english students 2nd edition cambridge professional english

conceptual physics 11th edition torrent

~~colored amazons crime violence and black women in the city of brotherly love 1880 1910~~

Abr202a Technical Manual :

Sony Ericsson VH310 User Manual View and Download Sony Ericsson VH310 user manual online. VH310 headsets pdf manual download. User guide This User guide focuses on use with a Sony Ericsson mobile phone. Charging the headset. Before using the VH310 for the first time, you need to charge it with ... DDA-2024 Bluetooth Headset User Manual ... - FCC ID Bluetooth Headset 08 user manual details for FCC ID PY7DDA-2024 made by Sony Mobile Communications Inc. Document Includes User Manual VH310_Gorkim_UG.book. Handsfree VH310 | PDF - Scribd Sony Ericsson VH310 This User guide is published by Sony Ericsson Mobile Communications AB, without any warranty. Improvements and changes to this User ... Sony Ericsson Bluetooth Headset VH310 The Sony Ericsson VH310 is ideal for long conversations or a day full of hands-on tasks. - Sony Ericsson Bluetooth Headset VH310. Sony Ericsson VH310 Bluetooth Headset Black NEW Sony Ericsson VH310 Bluetooth Headset; AC charger; Quick start guide. Specifications. Availability: Usually Ships within 1-2 business days. Condition: New ... VH410 - User guide The VH410 Bluetooth™ Handsfree can be connected to any Bluetooth™ compatible device that supports the headset. This User guide focuses on use with a Sony. Sony Ericsson intros T715 slider, VH310 Bluetooth headset Jun 25, 2009 — The newly announced slider features a 3.2 megapixel camera with "photo light" (don't call it a flash), sunlight-viewable 2.2-inch QVGA display, ... Sony Ericsson Bluetooth Headset VH-310 by Dave Lim ... VH-310. Prentice Hall Literature, Grade 10: Common Core Edition Our resource for Prentice Hall Literature, Grade 10: Common Core Edition includes answers to chapter exercises, as well as detailed information to walk you ... Literature: All-in-One Workbook - Answer Key (Grade 10) ... Buy Literature: All-in-One Workbook - Answer Key (Grade 10) (CA) by Prentice Hall at Barnes & Noble. Pearson Literature Grade 10 - 9780133319859 - Quizlet Our resource for Pearson Literature Grade 10 includes answers to chapter exercises, as well as detailed information to walk you through the process step by step ... Prentice Hall Literature All - In - One - Workbook Answer ... Paperback Grade Ten PRENTICE HALL LITERATURE All-In-One Workbook ANSWER KEY. ... Book reviews, interviews, editors' picks, and more. Prentice Hall literature. [Grade 10] Oct 31, 2020 — Prentice Hall literature. [Grade 10] ; Publisher: Upper Saddle River, N.J. : Pearson/Prentice Hall ; Collection: inlibrary; printdisabled; ... Prentice hall literature grade 10 answers .pdf Oct 10, 2023 — Prentice Hall Literature, Grade 12: Common Core. Edition Prentice Hall Literature Prentice Hall Literature™. Prentice Hall Literature ... Hmh Into Literature™ Grade 10 Answer Key (book) Apr 1, 2013 — Literacy Centers Level 3 Kelly Hackett 2013-04-01 With a focus on early literacy skills, this resource supports third grade teachers in ... Prentice Hall Literature Common Core Edition - Pearson Jan 10, 2015 —

Prentice Hall Literature Common Core Edition - Pearson. Prentice Hall Literature All - In - One - Workbook Answer ...
Prentice Hall Literature All - In - One - Workbook Answer Key Grade 10 National Edition / 9780133668261 / 0133668266 by
Hall, Prentice. by Hall, Prentice. Italy Travel Guide by Rick Steves Explore Italy! Get inspired with Rick Steves' recommended
places to go and things to do, with tips, photos, videos, and travel information on Italy. Italy Tours & Vacations 2023 & 2024
Rick Steves Italy tours provide the best value for your trip to Europe. Our stress-free Italy vacations package together small
groups, great guides, central ... Italy Guidebook for 2024 - Rick Steves Travel Store Rick's picks for sights, eating, sleeping;
In-depth coverage of our favorite Italian destinations; Great self-guided neighborhood walks and museum tours ... One week
in Italy - Rick Steves Travel Forum Jun 14, 2018 — Rome is amazing, but it will be hot. Our absolute favorite place in Italy is
Lake Como---particularly Varenna. We also loved the Amalfi Coast, ... Italy's Amalfi Coast - Video - Rick Steves' Europe
Advice on Italy Travel Plan - Rick Steves Travel Forum Jul 22, 2023 — In planning a trip, it helps to pick the exact specific
museums and monuments you will see and what you will acquiesce to skipping. Then you ... Italy Itinerary Rick's Best Three-
Week Trip to Italy. The big-ticket stops in Italy — Venice, the Cinque Terre, Florence, Rome, and the cluster south of Rome
(Sorrento/Naples/ ... Rick Steves Italy (Travel Guide) This guide gives you an overview together with every little thing you
need for planning a trip. How many days, transportation, hotels, restaurants, sights, ...