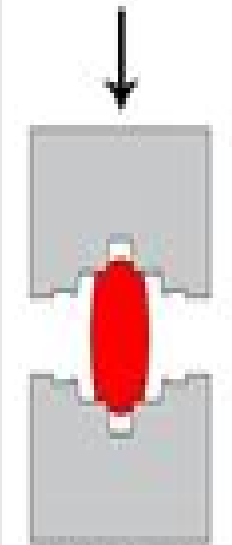
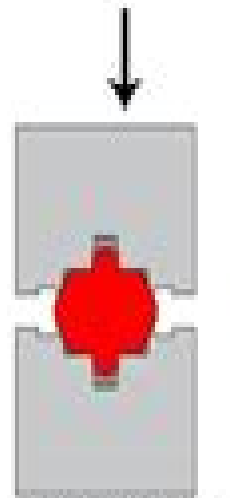


Three Methods Of Forging

Closed Die



Hot Metal Billet In Contact With Moving Die

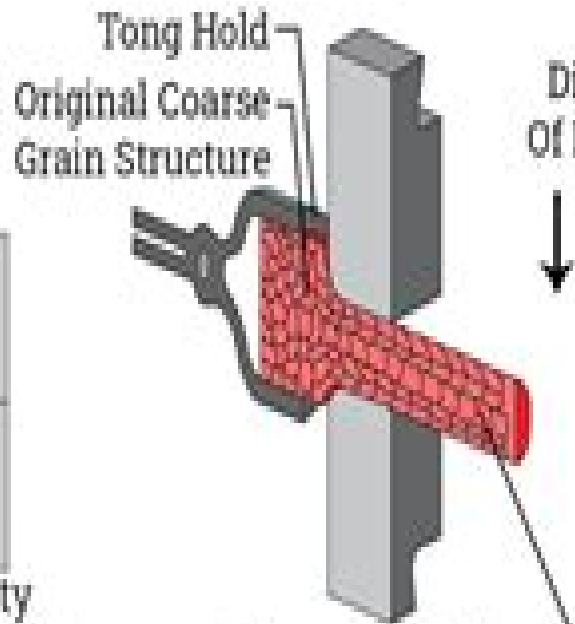


Restriction Of Lateral Flow Causing Cavity To Fill



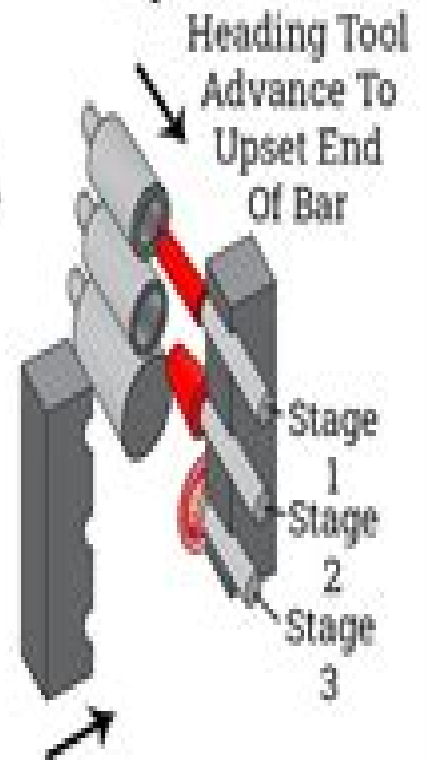
Die Cavity Finally Filled

Open Die



Elongated Grains And Closer Grain Structure Improves Mechanical Properties

Upset



Die Closes To Grip Bar

Forging Design Guide

**Richard C. Rice, Society of Automotive
Engineers**



Forging Design Guide:

Forging Design Handbook S. A. Sheridan, American Society for Metals, 1972 The Handbook is intended to portray state of the art procedures and concepts available to the aerospace design community for the conversion of advanced performance requirements into designs for reliable high strength parts Author *Aluminum Forging Design Manual* Aluminum Association, 1970 *Products design guide for forging* Forging industry educational and research foundation, 2007 **NBS Special Publication**, 1971 *Forging Design Handbook* American Society for Metals ASM. Committees on Forging Design, 1972 *Hot Deformation and Processing of Aluminum Alloys* Hugh J. McQueen, Stefano Spigarelli, Michael E. Kassner, Enrico Evangelista, 2016-04-19 A comprehensive treatise on the hot working of aluminum and its alloys Hot Deformation and Processing of Aluminum Alloys details the possible microstructural developments that can occur with hot deformation of various alloys as well as the kind of mechanical properties that can be anticipated The authors take great care to explain and differenti **An Index of U.S. Voluntary Engineering Standards** William J. Slattery, 1971 **Superalloys** Matthew J. Donachie, Stephen J. Donachie, 2002 This book covers virtually all technical aspects related to the selection processing use and analysis of superalloys The text of this new second edition has been completely revised and expanded with many new figures and tables added In developing this new edition the focus has been on providing comprehensive and practical coverage of superalloys technology Some highlights include the most complete and up to date presentation available on alloy melting Coverage of alloy selection provides many tips and guidelines that the reader can use in identifying an appropriate alloy for a specific application The relation of properties and microstructure is covered in more detail than in previous books **Fatigue Design Handbook** Richard C. Rice, Society of Automotive Engineers, 1988 **Light Alloys** Robert John Hussey, Josephine Wilson, 2013-04-17 Light Alloys Directory and Databook is a world wide directory of the properties and suppliers of light alloys used in or proposed for numerous engineering applications Alloys covered will include aluminium alloys magnesium alloys titanium alloys beryllium For the metals considered each section will consist of a short introduction a table comparing basic data and a series of comparison sheets The book will adopt standardised data in order to help the reader in finding and comparing different materials and identifying the required information All comparison sheets are cross referenced so that the user will be able to locate data on a specific product or compare properties easily The book is designed to complement the existing publications on high performance materials **ASM Handbook** S. L. Semiatin, ASM International. Handbook Committee, 1990 These volumes cover the properties processing and applications of metals and nonmetallic engineering materials They are designed to provide the authoritative information and data necessary for the appropriate selection of materials to meet critical design and performance criteria Handbook of Product Design for Manufacturing James G. Bralla, 1986 A Practical Guide to Low Cost Production offers a detailed overview of common manufacturing processes for the designer or manufacturing engineer Covers a full range of processes from metal stamping

forging casting molding thermoforming and more Specifies optimum material grades and dimensional tolerance data for each production process **Product design guide for forging** Forging industry association, **Advanced Materials & Processes** ,1996 *NAMRC* ,1988 *Appendix: Precision forgings in aerospace structures* Air Force Studies Board. Committee on Net Shape Technology in Aerospace Structures,1986 **Tool and Manufacturing Engineers Handbook** Society of Manufacturing Engineers,1984-12-10 You ll rely on Forming to help you understand over 50 forming processes plus the advantages limitations and operating parameters for each process Save valuable production time and gain a competitive edge with practical data that covers both the basics and advanced forming processes Forming also helps you choose the most appropriate materials utilize innovative die designs and assess the advantages and limitations of different press types and processes *A Brief Guide to Sources of Metals Information* Marjorie R. Hyslop,1973 **Manufacturing Processes for Engineering Materials** Serope Kalpakjian,Steven R. Schmid,2008 This comprehensive up to date text has balance coverage of the fundamentals of materials and processes its analytical approaches and its applications in manufacturing engineering **Machinery** ,1909

Forging Design Guide Book Review: Unveiling the Power of Words

In a global driven by information and connectivity, the energy of words has be much more evident than ever. They have the capacity to inspire, provoke, and ignite change. Such is the essence of the book **Forging Design Guide**, a literary masterpiece that delves deep into the significance of words and their impact on our lives. Compiled by a renowned author, this captivating work takes readers on a transformative journey, unraveling the secrets and potential behind every word. In this review, we shall explore the book is key themes, examine its writing style, and analyze its overall affect readers.

https://py.bijouxmedusa.com/data/uploaded-files/HomePages/Freilach_Clarinet_Klezmer.pdf

Table of Contents Forging Design Guide

1. Understanding the eBook Forging Design Guide
 - The Rise of Digital Reading Forging Design Guide
 - Advantages of eBooks Over Traditional Books
2. Identifying Forging Design Guide
 - Exploring Different Genres
 - Considering Fiction vs. Non-Fiction
 - Determining Your Reading Goals
3. Choosing the Right eBook Platform
 - Popular eBook Platforms
 - Features to Look for in an Forging Design Guide
 - User-Friendly Interface
4. Exploring eBook Recommendations from Forging Design Guide
 - Personalized Recommendations
 - Forging Design Guide User Reviews and Ratings
 - Forging Design Guide and Bestseller Lists
5. Accessing Forging Design Guide Free and Paid eBooks

- Forging Design Guide Public Domain eBooks
- Forging Design Guide eBook Subscription Services
- Forging Design Guide Budget-Friendly Options
- 6. Navigating Forging Design Guide eBook Formats
 - ePub, PDF, MOBI, and More
 - Forging Design Guide Compatibility with Devices
 - Forging Design Guide Enhanced eBook Features
- 7. Enhancing Your Reading Experience
 - Adjustable Fonts and Text Sizes of Forging Design Guide
 - Highlighting and Note-Taking Forging Design Guide
 - Interactive Elements Forging Design Guide
- 8. Staying Engaged with Forging Design Guide
 - Joining Online Reading Communities
 - Participating in Virtual Book Clubs
 - Following Authors and Publishers Forging Design Guide
- 9. Balancing eBooks and Physical Books Forging Design Guide
 - Benefits of a Digital Library
 - Creating a Diverse Reading Collection Forging Design Guide
- 10. Overcoming Reading Challenges
 - Dealing with Digital Eye Strain
 - Minimizing Distractions
 - Managing Screen Time
- 11. Cultivating a Reading Routine Forging Design Guide
 - Setting Reading Goals Forging Design Guide
 - Carving Out Dedicated Reading Time
- 12. Sourcing Reliable Information of Forging Design Guide
 - Fact-Checking eBook Content of Forging Design Guide
 - Distinguishing Credible Sources
- 13. Promoting Lifelong Learning
 - Utilizing eBooks for Skill Development

- Exploring Educational eBooks
14. Embracing eBook Trends
- Integration of Multimedia Elements
 - Interactive and Gamified eBooks

Forging Design Guide Introduction

In today's digital age, the availability of Forging Design Guide books and manuals for download has revolutionized the way we access information. Gone are the days of physically flipping through pages and carrying heavy textbooks or manuals. With just a few clicks, we can now access a wealth of knowledge from the comfort of our own homes or on the go. This article will explore the advantages of Forging Design Guide books and manuals for download, along with some popular platforms that offer these resources. One of the significant advantages of Forging Design Guide books and manuals for download is the cost-saving aspect. Traditional books and manuals can be costly, especially if you need to purchase several of them for educational or professional purposes. By accessing Forging Design Guide versions, you eliminate the need to spend money on physical copies. This not only saves you money but also reduces the environmental impact associated with book production and transportation. Furthermore, Forging Design Guide books and manuals for download are incredibly convenient. With just a computer or smartphone and an internet connection, you can access a vast library of resources on any subject imaginable. Whether you're a student looking for textbooks, a professional seeking industry-specific manuals, or someone interested in self-improvement, these digital resources provide an efficient and accessible means of acquiring knowledge. Moreover, PDF books and manuals offer a range of benefits compared to other digital formats. PDF files are designed to retain their formatting regardless of the device used to open them. This ensures that the content appears exactly as intended by the author, with no loss of formatting or missing graphics. Additionally, PDF files can be easily annotated, bookmarked, and searched for specific terms, making them highly practical for studying or referencing. When it comes to accessing Forging Design Guide books and manuals, several platforms offer an extensive collection of resources. One such platform is Project Gutenberg, a nonprofit organization that provides over 60,000 free eBooks. These books are primarily in the public domain, meaning they can be freely distributed and downloaded. Project Gutenberg offers a wide range of classic literature, making it an excellent resource for literature enthusiasts. Another popular platform for Forging Design Guide books and manuals is Open Library. Open Library is an initiative of the Internet Archive, a non-profit organization dedicated to digitizing cultural artifacts and making them accessible to the public. Open Library hosts millions of books, including both public domain works and contemporary titles. It also allows users to borrow digital copies of certain books for a limited period, similar to a library lending system. Additionally, many universities and educational institutions have their own digital libraries that provide free

access to PDF books and manuals. These libraries often offer academic texts, research papers, and technical manuals, making them invaluable resources for students and researchers. Some notable examples include MIT OpenCourseWare, which offers free access to course materials from the Massachusetts Institute of Technology, and the Digital Public Library of America, which provides a vast collection of digitized books and historical documents. In conclusion, Forging Design Guide books and manuals for download have transformed the way we access information. They provide a cost-effective and convenient means of acquiring knowledge, offering the ability to access a vast library of resources at our fingertips. With platforms like Project Gutenberg, Open Library, and various digital libraries offered by educational institutions, we have access to an ever-expanding collection of books and manuals. Whether for educational, professional, or personal purposes, these digital resources serve as valuable tools for continuous learning and self-improvement. So why not take advantage of the vast world of Forging Design Guide books and manuals for download and embark on your journey of knowledge?

FAQs About Forging Design Guide Books

1. Where can I buy Forging Design Guide books? Bookstores: Physical bookstores like Barnes & Noble, Waterstones, and independent local stores. Online Retailers: Amazon, Book Depository, and various online bookstores offer a wide range of books in physical and digital formats.
2. What are the different book formats available? Hardcover: Sturdy and durable, usually more expensive. Paperback: Cheaper, lighter, and more portable than hardcovers. E-books: Digital books available for e-readers like Kindle or software like Apple Books, Kindle, and Google Play Books.
3. How do I choose a Forging Design Guide book to read? Genres: Consider the genre you enjoy (fiction, non-fiction, mystery, sci-fi, etc.). Recommendations: Ask friends, join book clubs, or explore online reviews and recommendations. Author: If you like a particular author, you might enjoy more of their work.
4. How do I take care of Forging Design Guide books? Storage: Keep them away from direct sunlight and in a dry environment. Handling: Avoid folding pages, use bookmarks, and handle them with clean hands. Cleaning: Gently dust the covers and pages occasionally.
5. Can I borrow books without buying them? Public Libraries: Local libraries offer a wide range of books for borrowing. Book Swaps: Community book exchanges or online platforms where people exchange books.
6. How can I track my reading progress or manage my book collection? Book Tracking Apps: Goodreads, LibraryThing, and Book Catalogue are popular apps for tracking your reading progress and managing book collections. Spreadsheets:

You can create your own spreadsheet to track books read, ratings, and other details.

7. What are Forging Design Guide audiobooks, and where can I find them? Audiobooks: Audio recordings of books, perfect for listening while commuting or multitasking. Platforms: Audible, LibriVox, and Google Play Books offer a wide selection of audiobooks.
8. How do I support authors or the book industry? Buy Books: Purchase books from authors or independent bookstores. Reviews: Leave reviews on platforms like Goodreads or Amazon. Promotion: Share your favorite books on social media or recommend them to friends.
9. Are there book clubs or reading communities I can join? Local Clubs: Check for local book clubs in libraries or community centers. Online Communities: Platforms like Goodreads have virtual book clubs and discussion groups.
10. Can I read Forging Design Guide books for free? Public Domain Books: Many classic books are available for free as they're in the public domain. Free E-books: Some websites offer free e-books legally, like Project Gutenberg or Open Library.

Find Forging Design Guide :

Freilach clarinet klezmer

foundations of software testing download pdf ebooks about foundations of software testing or read online pdf viewer search

fundamentals of corporate finance 8th edition solution

fundamentals of electrical engineering and electronics by bl theraja

frank kern media file pdf

fundamentals of electronics engineering by bl theraja

frontiers of computational fluid dynamics 2006

fretboard logic se the reasoning behind the guitar s unique tuning chords scales and arpeggiosplete

frostbite a graphic novel

download physical hydrology second edition book

fundamentals of marketing william j stanton

fred the frog

genel kimya 1 palme

download jeep liberty service manual

fundamentals of engineering thermodynamics 8th edition pdf

Forging Design Guide :

accueil lucelapuce fr - Oct 23 2023

web dans la plus pure tradition des numéros de cabaret et de music hall luce incarne un personnage de charme tout en jonglant sur un rythme soutenu bouquets de fleurs

la luce facebook - Sep 10 2022

web la luce singapore 310 likes doorstep italian gourmet singapore ready to eat gourmet from our family to yours all you need is

puces caennaises 2023 à caen caen la mer tourisme - Dec 01 2021

web nov 24 2023 puces caennaises 2023 avis aux amateurs d old fashion c est l heure de trouver la perle rare du vendredi 24 au dimanche 26 novembre prochains le parc des

luce la puce livres illustrés maison de la presse - Aug 09 2022

web chassée par tous luce la puce est adoptée par benjamin le lutin ensemble ils montent un spectacle de cirque triomphal et entament une longue tournée des jardins de la

luce la puce antoon krings babelio - Sep 22 2023

web gallimard jeunesse 24 10 1996 3 6 5 15 notes résumé chassée par tous luce la puce est adoptée par benjamin le lutin ensemble ils montent un spectacle de cirque

luce la puce amazon sg books - Jan 14 2023

web hello sign in account lists returns orders cart

chope restaurant reservations and dining deals - Dec 13 2022

web we would like to show you a description here but the site won t allow us

amazon fr luce la puce krings antoon livres - Jul 20 2023

web livret relié rigide cartonné moyen format carré ancien 2004 1996 n 18 d une série de petites histoires pour enfants et ayant dans ce cas pour personnage principal une puce

luce la puce antoon krings youtube - Jul 08 2022

web lecture par la maitresse et compagnie

les drôles de petites bêtes tome 18 luce la puce fnac - Aug 21 2023

web apr 13 2017 les drôles de petites bêtes tome 18 luce la puce antoon krings gallimard jeunesse des milliers de livres avec la livraison chez vous en 1 jour ou en

sur 5 000 m² au parc expo les puces reviennent à caen actu - Jan 02 2022

web 1 day ago il y a donc fort à parier que la nouvelle édition des puces caennaise s l un des plus grands événements du

genre en normandie devrait attirer une foule immense du [tenuta luce luce toscana igt wine searcher](#) - Nov 12 2022

web this producer was previously known as luce della vite the vintage 2012 is 20 years anniversary critic tasting note 2019 vintage violets fresh mint and raspberry come

[les drôles de petites bêtes luce la puce fnac](#) - Feb 15 2023

web les drôles de petites bêtes luce la puce antoon krings gallimard jeunesse des milliers de livres avec la livraison chez vous en 1 jour ou en magasin avec 5 de réduction

[luce la puce krings antoon 9782070596805 abebooks](#) - Sep 29 2021

web luce la puce by krings antoon isbn 10 207059680x isbn 13 9782070596805 gall jeun gibou 1996 hardcover

intercontinental - Mar 04 2022

web luce by davide giacomelli

20 restaurant luce food in singapore 2023 foodadvisor - May 06 2022

web restaurant luce food in singapore restaurant luce food in singapore read more kok sen restaurant 48 38 14 big prawn hor fun s 16 00 claypot yong tau foo

luce la puce enfant jeunesse rakuten - Apr 05 2022

web may 18 2013 luce la puce pas cher retrouvez tous les produits disponibles à l achat dans notre catégorie enfant jeunesse

[luce la puce krings antoon amazon sg books](#) - Mar 16 2023

web hello sign in account lists returns orders cart

[luce la puce livre de antoon krings booknode](#) - May 18 2023

web résumé ce soir là quand mireille l abeille se coucha après une rude journée de butinage elle eut la désagréable sensation que quelqu un se trouvait déjà dans son lit elle glissa

luce la puce by antoon krings goodreads - Jun 07 2022

web luce la puce antoon krings 3 94 17ratings2reviews want to read buy on amazon rate this book quan mireia l abella va fer fora de la seva casa a la puça llúcia i va anar a parar a

[livres illustrés luce la puce les drôles de petites bêtes](#) - Jun 19 2023

web luce la puce nouvelle édition en 2017 ma liste chassée par tous luce la puce est adoptée par benjamin le lutin ensemble ils montent un spectacle de cirque triomphal

luce la puce krings antoon amazon fr livres - Apr 17 2023

web dans ce tome 18 luce la puce cherche une demeure chassée par mireille l abeille elle trouve refuge chez benjamin le

lutin et tous les deux vont devenir artistes de cirque

ligue 1 montpellier annonce la prolongation de sainte luce le - Oct 31 2021

web 1 day ago le latéral gauche théo sainte luce qui était lié avec montpellier jusqu'en juin 2025 a prolongé son contrat avec le club héraultais

luce la puce de antoon krings album livre decitre - Oct 11 2022

web may 14 2002 chassée par tous luce la puce est adoptée par benjamin le lutin ensemble ils montent un spectacle de cirque triomphal et entament une longue tournée

luce la puce antoon krings cultura - Feb 03 2022

web luce la puce par antoon krings aux éditions gallimard jeunesse giboules ce soir là quand mireille l'abeille se coucha après une rude journée de butinage elle eut la

download book handbook of veterinary nursing pdf noor library - Sep 08 2022

web pharmacology for nursing foundation of nursing theory foundations of nursing laboratory notes on veterinary anatomy lameness of the horse veterinary practitioners series no 1 a treatise on regional iodine therapy for the veterinary clinician

machineries handbook guide to machineries handbook more with book covers

ebook manual veterinary nursing british association 666 pages - Apr 03 2022

web on line statement ebook manual veterinary nursing british association 666 pages as with ease as evaluation them wherever you are now marine mammals ashore joseph r geraci 2005 comprehensive manual for understanding and carrying out marine mammal rescue activities for stranded seals manatees dolphins whales or sea otters

ebook manual veterinary nursing british association 666 pages - Sep 20 2023

web veterinary and veterinary nursing manuals the british small animal veterinary association has over 1200 manual chapters 750 bsava british small animal veterinary association bsava manual manual of veterinary nursing bsava british

ebook bsava textbook of veterinary nursing ebooks online either download manual of veterinary

ebook manual veterinary nursing british association 666 pages - Jun 17 2023

web ebook manual veterinary nursing british association 666 pages ebook manual veterinary nursing british association 666 pages bsava textbook of veterinary nursing b whsmith books audiobook the manual of advanced veterinary nursing bsava by bsava manual of canine and feline behavioural medicine bsava manual

ebook manual veterinary nursing british association 666 pages - Mar 02 2022

web nov 5 2023 ebook manual veterinary nursing british association 666 pages bsava manual of small animal fracture repair amp management bsava manual exotic cfmgdl com dietetic and nutrition case studies pdf am medicine pdf manual of veterinary nursing bsava british small

ebook manual veterinary nursing british association 666 pages - Jan 12 2023

web get the ebook manual veterinary nursing british association 666 pages member that we meet the expense of here and check out the link you could buy guide ebook manual veterinary nursing british association 666 pages or get it as soon as feasible you could quickly download this ebook manual veterinary nursing british association 666

[veterinary nursing books vet ebooks](#) - May 16 2023

web bsava manual of practical veterinary nursing by elizabeth mullineaux and marie jones bsava manual of practical veterinary nursing pdf accompaniment to the more theoretical bsava textbook general pathology for veterinary nurses

[ebook manual veterinary nursing british association 666 pages](#) - Nov 10 2022

web 2 ebook manual veterinary nursing british association 666 pages 2023 05 05 succinctly covering all the basics that veterinary nurses specialising in other species need to know the key subjects included are basic equine management medical and surgical equine nursing

ebook manual veterinary nursing british association 666 pages - Oct 09 2022

web 4 ebook manual veterinary nursing british association 666 pages 2023 08 28 communicate with clients and other members of the veterinary team clear concise coverage simplifies information on the most commonly encountered internal and external parasites preparing you for credentialing exams and the veterinary clinic more than

ebook manual veterinary nursing british association 666 pages - Jul 06 2022

web 2 ebook manual veterinary nursing british association 666 pages 2020 09 01 small animal dermatology for technicians and nurses is a practical manual specifically designed for veterinary technicians nurses and other staff members this easy to read book covers common dermatologic diseases frequently seen in private practice with

ebook manual veterinary nursing british association 666 pages - Aug 07 2022

web ebook manual veterinary nursing british association 666 pages bsava textbook of veterinary nursing bsava british small animal veterinary association 5th edition by barbara cooper elizabeth mullineaux lynn turner isbn 9781905319268 from amazon s

free ebook manual veterinary nursing british association 666 pages - Mar 14 2023

web equine veterinary nursing oct 08 2021 the breadth and depth of expertise essential for equine veterinary nursing today is provided in this definitive textbook thoroughly revised and updated in its second edition and now fully illustrated in colour this book covers the content of the ever expanding equine nursing syllabus while still

ebook manual veterinary nursing british association 666 pages - Dec 11 2022

web pdf manual of veterinary nursing bsava british small animal veterinary association read pdf free pdf download here

[bsava manual of veterinary nursing pdf pdf scribd](#) - Oct 21 2023

web bsava manuals of veterinary nursing gill sim pson bvm s mrcvs rose cottage edgehead m idlothian eh 37 5rl published by british small animal veterinary association woodrow house 1 telford way waterwells bus iness park quedgeley gloucester gl2 4ab united kingdom a company limited by guarantee in england

ebook manual veterinary nursing british association 666 pages - Feb 13 2023

web this student review manual is designed to prepare students for exams by asking them the same types of questions that they are likely to see on classroom and certification examinations

ebook manual veterinary nursing british association 666 pages - Aug 19 2023

web written by vet tech experts joanna bassert angela beal and oreta samples this illustrated guide prepares you for success on the veterinary technician national exam vtne and in clinical practice 2017 winner of the william holmes mcguffey longevity award mcguffey from the text academic authors association taa which recognizes

singapore veterinary association leading the frontier of - May 04 2022

web bepa capital investing in veterinarians and vet clinics we are a singapore and hong kong based firm dedicated to partnering sva virtual conference 2023 new exciting lectures every saturday for the month of august 20 00 to 21 00 singapore time recordings will

ebook manual veterinary nursing british association 666 pages - Jun 05 2022

web 2 ebook manual veterinary nursing british association 666 pages 2021 12 28 management both essential to modern practices relates theory to practice through practical advice and top tips provides essential reading for all those taking practice management examinations or continuing professional development courses bsava manual of canine

ebook manual veterinary nursing british association 666 pages - Jul 18 2023

web practical emergency and critical care veterinary nursing introduction to veterinary anatomy and physiology e book bsava manual of canine and feline emergency and critical care

[ebook manual veterinary nursing british association 666 pages](#) - Apr 15 2023

web ebook manual veterinary nursing british association 666 pages house soiling problems in domestic cats apr 25 2020 highly practical this book is the first in a series entitled domestic cat behaviour problems designed to help veterinary professionals and behaviourists understand the background behind common domestic cat behaviour

encadenados diarios de martires en la china de ma - Jun 15 2023

web encadenados diario de sesiones de la cámara de senadores diario histórico de la rebelión y guerra de los pueblos guaraní guerrilla warfare cien años de literatura a la

encadenados diarios de martires en la - Sep 18 2023

web mao zedong gobernó china con mano férrea y sanguinaria 27 largos años el gran timonel comunista tiranizó a su pueblo provocó con sus decisiones más de cincuenta

[encadenados diarios de martires en la china de ma pdf mail](#) - Oct 27 2021

web 4 encadenados diarios de martires en la china de ma 2022 12 14 para ocultar los fracasos humanos de sus dirigentes y de su ideología gerolamo fazzini es periodista y

encadenados diarios de martires en la china de ma api - Jun 03 2022

web encadenados diarios de martires en la china de ma 1 encadenados diarios de martires en la china de ma when people should go to the book stores search start by

[encadenados diarios de martires en la china de ma pdf](#) - Apr 13 2023

web encadenados diarios de martires en la china de ma las verdaderas actas de los martires dec 08 2020 teodorico ruinart es uno de los más grandes recopiladores

mártires fallecidos en guerra de corea enterrados en shenyang - Jan 10 2023

web shenyang 17 sep xinhua los restos de 88 soldados chinos que fallecieron en la guerra de resistencia contra la agresión de estados unidos y ayuda a corea fueron

entierros marítimos en china se ponen de moda el pregón - Dec 09 2022

web may 15 2023 si nos vamos al noreste al puerto de dalian frente a corea del norte desde allí el capitán chen qi sale casi a diario con su yate de 33 metros lleno de

encadenados diarios de martires en la china de ma - Nov 08 2022

web 2 encadenados diarios de martires en la china de ma 2023 08 02 encadenados diarios de martires en la china de ma downloaded from retailer bonide com by guest

download free encadenados diarios de martires en la china - Sep 06 2022

web encadenados diarios de martires en la china de ma the coronado expedition 1540 1542 mar 04 2020 istoria de la china i cristiana empresa hecha en ella por la

encadenados diarios de martires en la china de ma ftp bonide - Oct 07 2022

web encadenados diarios de martires en la china de ma 1 encadenados diarios de martires en la china de ma the secret history of the jesuits grandes mártires

encadenados diarios de martires en la china de ma full pdf - Jan 30 2022

web 2 encadenados diarios de martires en la china de ma 2023 05 13 sobrellevar un arzobispo un obispo un laico y un sacerdote católicos en distintos laogai los gulags

encadenados diarios de martires en la china de ma - Nov 27 2021

web encadenados diarios de martires en la china de ma abc doble diario de la guerra civil nuevo prometeo encadenado the glories of mary el siglo de los mártires el

encadenados diarios de martires en la china de ma - May 02 2022

web encadenados diarios de martires en la china de ma abc doble diario de la guerra civil the virgin and the bride living my life the sovereignty of god diario de centro

repatriarán a china restos de 25 mártires de voluntarios del - Aug 17 2023

web nov 17 2023 beijing 17 nov xinhua los restos mortales de 25 mártires de los voluntarios del pueblo chino cpv siglas en inglés actualmente en la república de

encadenados diarios de mártires en la china de mao arcaduz - Mar 12 2023

web encadenados diarios de martires en la china de mao encadenados diarios de mártires en la ediciones tus sueños te hablan de autor edouard korenfeld pdf gratis el libro rojo

encadenados diarios de martires en la china de ma download - Apr 01 2022

web 2 encadenados diarios de martires en la china de ma 2023 01 21 que a través de numerosos hechos y episodios muestra de manera elocuente la verdadera naturaleza

morirse es caro cada vez más chinos se entierran en - Jul 04 2022

web apr 9 2019 los nichos en tianshou uno de los cementerios más populares la capital oscilan entre 29 800 y 88 000 yuanes entre 3 900 y 11 600 euros como indica su

encadenados diarios de martires en la china de ma full pdf - Feb 28 2022

web encadenados diarios de martires en la china de ma istoria general de los ermitaños de la orden de nuestro padre san augustin oct 21 2020 fiestas que hizo el insigne

encadenados diarios de mártires en la china de mao google - Oct 19 2023

web feb 16 2017 el resultado es una historia testimoniada de la revolución china desde 1948 hasta 1980 que a través de numerosos hechos y episodios muestra de manera

repatriarán a china restos de 25 mártires de voluntarios del - May 14 2023

web nov 17 2023 de conformidad con el derecho internacional y los principios humanitarios china y la república de corea han llevado a cabo hasta ahora nueve entregas de este

free encadenados diarios de martires en la china de ma - Jul 16 2023

web encadenados diarios de martires en la china de ma chinese lexical semantics nov 16 2021 this book constitutes the refereed selected papers from the 14th chinese

encadenados diarios de martires en la china de ma 2022 - Dec 29 2021

web 4 encadenados diarios de martires en la china de ma 2022 11 14 remarkable debut from a brilliant young historian
diario de las sesiones de cortes ediciones palabra

encadenados diarios de martires en la china de ma book - Aug 05 2022

web oct 14 2023 encadenados diarios de martires en la china de ma encadenados diarios de martires en la china de ma 2
downloaded from ceu social on 2022 04

encadenados diarios de martires en la china de ma pdf - Feb 11 2023

web encadenados diarios de martires en la china de ma mártires de la tiza feb 08 2020 britannica enciclopedia moderna jun
25 2021 the britannica enciclopedia moderna

encadenados diarios de martires en la china de ma - Sep 25 2021

web 2 2 encadenados diarios de martires en la china de ma 2020 01 03 icons in the orthodox liturgy and on common iconic
subjects including the fathers and saints of the