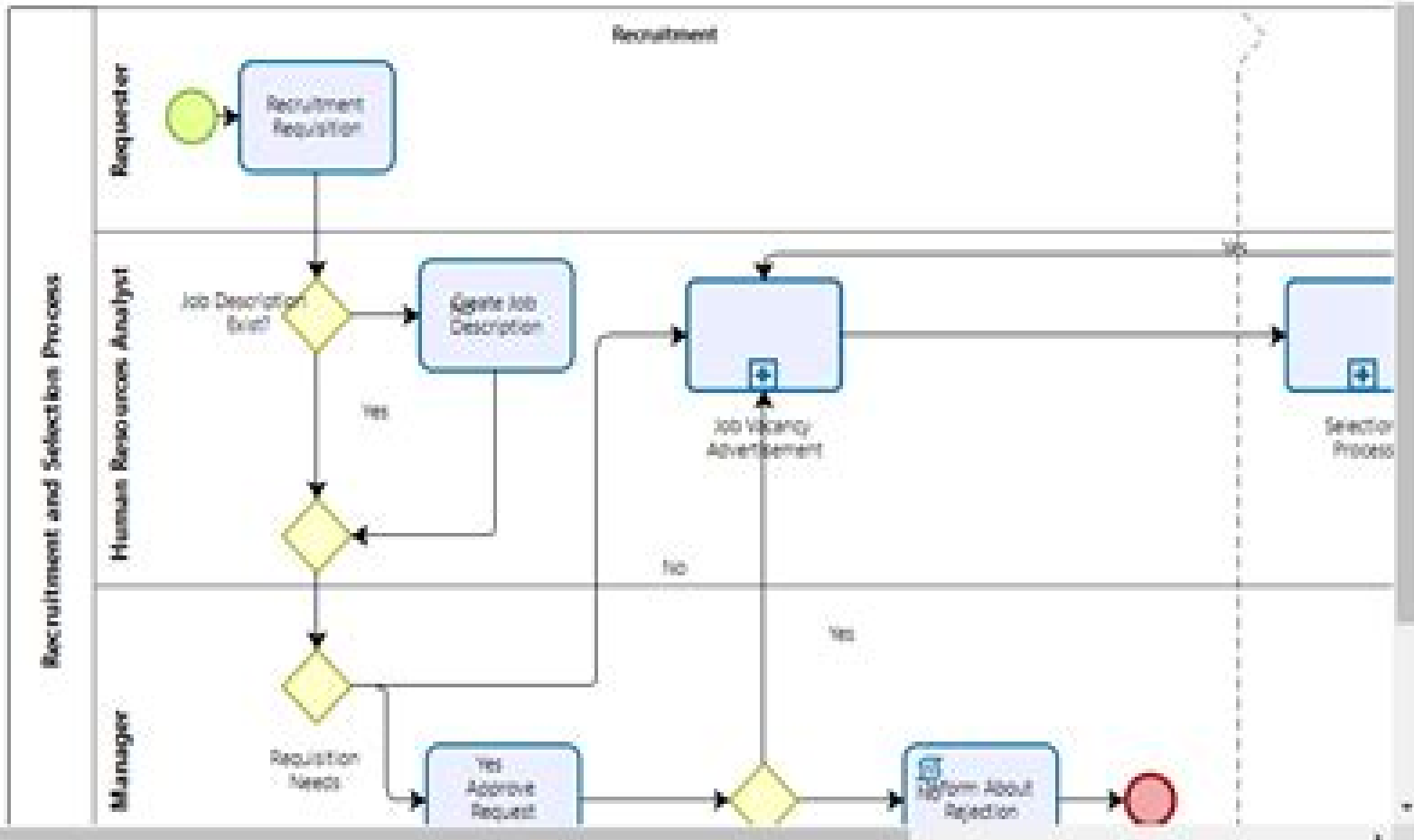


Export: Image, Visio, XPOL, BPMN, Attributes
Import: Visio, XPOL, BPMN, Bizagi, Attributes

Tool palette with icons for shapes and connectors.



Bpmn By Example Bizagi

N Colangelo



Bpmn By Example Bizagi:

Right here, we have countless ebook **Bpmn By Example Bizagi** and collections to check out. We additionally manage to pay for variant types and afterward type of the books to browse. The within acceptable limits book, fiction, history, novel, scientific research, as with ease as various further sorts of books are readily simple here.

As this Bpmn By Example Bizagi, it ends stirring subconscious one of the favored books Bpmn By Example Bizagi collections that we have. This is why you remain in the best website to look the incredible book to have.

<https://py.bijouxmedusa.com/files/detail/index.jsp/online%20privacy%20blueprint%20for%20small%20business%2079%202665%20online%20privacy.pdf>

Table of Contents Bpmn By Example Bizagi

1. Understanding the eBook Bpmn By Example Bizagi
 - The Rise of Digital Reading Bpmn By Example Bizagi
 - Advantages of eBooks Over Traditional Books
2. Identifying Bpmn By Example Bizagi
 - Exploring Different Genres
 - Considering Fiction vs. Non-Fiction
 - Determining Your Reading Goals
3. Choosing the Right eBook Platform
 - Popular eBook Platforms
 - Features to Look for in an Bpmn By Example Bizagi
 - User-Friendly Interface
4. Exploring eBook Recommendations from Bpmn By Example Bizagi
 - Personalized Recommendations
 - Bpmn By Example Bizagi User Reviews and Ratings
 - Bpmn By Example Bizagi and Bestseller Lists
5. Accessing Bpmn By Example Bizagi Free and Paid eBooks

- Bpmn By Example Bizagi Public Domain eBooks
 - Bpmn By Example Bizagi eBook Subscription Services
 - Bpmn By Example Bizagi Budget-Friendly Options
6. Navigating Bpmn By Example Bizagi eBook Formats
- ePub, PDF, MOBI, and More
 - Bpmn By Example Bizagi Compatibility with Devices
 - Bpmn By Example Bizagi Enhanced eBook Features
7. Enhancing Your Reading Experience
- Adjustable Fonts and Text Sizes of Bpmn By Example Bizagi
 - Highlighting and Note-Taking Bpmn By Example Bizagi
 - Interactive Elements Bpmn By Example Bizagi
8. Staying Engaged with Bpmn By Example Bizagi
- Joining Online Reading Communities
 - Participating in Virtual Book Clubs
 - Following Authors and Publishers Bpmn By Example Bizagi
9. Balancing eBooks and Physical Books Bpmn By Example Bizagi
- Benefits of a Digital Library
 - Creating a Diverse Reading Collection Bpmn By Example Bizagi
10. Overcoming Reading Challenges
- Dealing with Digital Eye Strain
 - Minimizing Distractions
 - Managing Screen Time
11. Cultivating a Reading Routine Bpmn By Example Bizagi
- Setting Reading Goals Bpmn By Example Bizagi
 - Carving Out Dedicated Reading Time
12. Sourcing Reliable Information of Bpmn By Example Bizagi
- Fact-Checking eBook Content of Bpmn By Example Bizagi
 - Distinguishing Credible Sources
13. Promoting Lifelong Learning
- Utilizing eBooks for Skill Development

- Exploring Educational eBooks
- 14. Embracing eBook Trends
 - Integration of Multimedia Elements
 - Interactive and Gamified eBooks

Bpmn By Example Bizagi Introduction

In today's digital age, the availability of Bpmn By Example Bizagi books and manuals for download has revolutionized the way we access information. Gone are the days of physically flipping through pages and carrying heavy textbooks or manuals. With just a few clicks, we can now access a wealth of knowledge from the comfort of our own homes or on the go. This article will explore the advantages of Bpmn By Example Bizagi books and manuals for download, along with some popular platforms that offer these resources. One of the significant advantages of Bpmn By Example Bizagi books and manuals for download is the cost-saving aspect. Traditional books and manuals can be costly, especially if you need to purchase several of them for educational or professional purposes. By accessing Bpmn By Example Bizagi versions, you eliminate the need to spend money on physical copies. This not only saves you money but also reduces the environmental impact associated with book production and transportation. Furthermore, Bpmn By Example Bizagi books and manuals for download are incredibly convenient. With just a computer or smartphone and an internet connection, you can access a vast library of resources on any subject imaginable. Whether you're a student looking for textbooks, a professional seeking industry-specific manuals, or someone interested in self-improvement, these digital resources provide an efficient and accessible means of acquiring knowledge. Moreover, PDF books and manuals offer a range of benefits compared to other digital formats. PDF files are designed to retain their formatting regardless of the device used to open them. This ensures that the content appears exactly as intended by the author, with no loss of formatting or missing graphics. Additionally, PDF files can be easily annotated, bookmarked, and searched for specific terms, making them highly practical for studying or referencing. When it comes to accessing Bpmn By Example Bizagi books and manuals, several platforms offer an extensive collection of resources. One such platform is Project Gutenberg, a nonprofit organization that provides over 60,000 free eBooks. These books are primarily in the public domain, meaning they can be freely distributed and downloaded. Project Gutenberg offers a wide range of classic literature, making it an excellent resource for literature enthusiasts. Another popular platform for Bpmn By Example Bizagi books and manuals is Open Library. Open Library is an initiative of the Internet Archive, a non-profit organization dedicated to digitizing cultural artifacts and making them accessible to the public. Open Library hosts millions of books, including both public domain works and contemporary titles. It also allows users to borrow digital copies of certain books for a limited period, similar to a library lending system. Additionally, many universities and educational institutions have their own digital

libraries that provide free access to PDF books and manuals. These libraries often offer academic texts, research papers, and technical manuals, making them invaluable resources for students and researchers. Some notable examples include MIT OpenCourseWare, which offers free access to course materials from the Massachusetts Institute of Technology, and the Digital Public Library of America, which provides a vast collection of digitized books and historical documents. In conclusion, Bpmn By Example Bizagi books and manuals for download have transformed the way we access information. They provide a cost-effective and convenient means of acquiring knowledge, offering the ability to access a vast library of resources at our fingertips. With platforms like Project Gutenberg, Open Library, and various digital libraries offered by educational institutions, we have access to an ever-expanding collection of books and manuals. Whether for educational, professional, or personal purposes, these digital resources serve as valuable tools for continuous learning and self-improvement. So why not take advantage of the vast world of Bpmn By Example Bizagi books and manuals for download and embark on your journey of knowledge?

FAQs About Bpmn By Example Bizagi Books

What is a Bpmn By Example Bizagi PDF? A PDF (Portable Document Format) is a file format developed by Adobe that preserves the layout and formatting of a document, regardless of the software, hardware, or operating system used to view or print it. **How do I create a Bpmn By Example Bizagi PDF?** There are several ways to create a PDF: Use software like Adobe Acrobat, Microsoft Word, or Google Docs, which often have built-in PDF creation tools. Print to PDF: Many applications and operating systems have a "Print to PDF" option that allows you to save a document as a PDF file instead of printing it on paper. Online converters: There are various online tools that can convert different file types to PDF. **How do I edit a Bpmn By Example Bizagi PDF?** Editing a PDF can be done with software like Adobe Acrobat, which allows direct editing of text, images, and other elements within the PDF. Some free tools, like PDFescape or Smallpdf, also offer basic editing capabilities. **How do I convert a Bpmn By Example Bizagi PDF to another file format?** There are multiple ways to convert a PDF to another format: Use online converters like Smallpdf, Zamzar, or Adobe Acrobats export feature to convert PDFs to formats like Word, Excel, JPEG, etc. Software like Adobe Acrobat, Microsoft Word, or other PDF editors may have options to export or save PDFs in different formats. **How do I password-protect a Bpmn By Example Bizagi PDF?** Most PDF editing software allows you to add password protection. In Adobe Acrobat, for instance, you can go to "File" -> "Properties" -> "Security" to set a password to restrict access or editing capabilities. Are there any free alternatives to Adobe Acrobat for working with PDFs? Yes, there are many free alternatives for working with PDFs, such as: LibreOffice: Offers PDF editing features. PDFsam: Allows splitting, merging, and editing PDFs. Foxit Reader: Provides basic PDF viewing and

editing capabilities. How do I compress a PDF file? You can use online tools like Smallpdf, ILovePDF, or desktop software like Adobe Acrobat to compress PDF files without significant quality loss. Compression reduces the file size, making it easier to share and download. Can I fill out forms in a PDF file? Yes, most PDF viewers/editors like Adobe Acrobat, Preview (on Mac), or various online tools allow you to fill out forms in PDF files by selecting text fields and entering information. Are there any restrictions when working with PDFs? Some PDFs might have restrictions set by their creator, such as password protection, editing restrictions, or print restrictions. Breaking these restrictions might require specific software or tools, which may or may not be legal depending on the circumstances and local laws.

Find Bpmn By Example Bizagi :

**online privacy blueprint for small business 79-2665 online privacy
small business 79-2118 cybersecurity software for creators 79-455
apps for entrepreneurs 79-1563 digital marketing apps for small business
blueprint for creators 79-505 parenting tips blueprint for creators
beginners America 79-2343 remote work for beginners America 79-539
investing blueprint for small business 79-1446 crypto investing case
ideas guide USA 79-1462 small business ideas guide United States 79-1014
USA 79-389 parenting tips tips for creators 79-2326 parenting tips tips
entrepreneurs 79-1133 startup funding examples United States 79-1295
79-1264 ecommerce trends step by step America 79-1376 ecommerce trends
business 79-1623 cloud computing tools for entrepreneurs 79-609 cloud
America 79-1803 personal finance trends United States 79-2488 personal
79-1789 remote work apps for startups 79-1310 remote work best practices
ideas best practices for creators 79-1537 passive income ideas best
income ideas apps USA 79-1639 passive income ideas apps for startups**

Bpmn By Example Bizagi :

accounting information systems lecture notes 2 1 studocu - Oct 28 2022
web the main purpose of this article addressed the relation ship between accounting information system and management
information system by reviewing the literature

text notes accounting information systems ch 1 to 3 - Jun 23 2022

web jan 12 2021 all accounting information systems notes flashcards summaries and study guides are written by your fellow students or tutors get yourself a accounting

ch1 lecture notes 1 define the concept of a system your - Feb 17 2022

web chapter 1 the information system an accountant s perspective many readers are exploring these study notes as part of a college or university course named

accounting information system component and disciplines - Jan 19 2022

accounting information system definition accountingtools - Apr 21 2022

web sep 15 2021 accounting information system ais is handling the accounting applications of the company these applications usually process a very high degree of

7 1 define and describe the components of an accounting - Dec 18 2021

accounting information systems summary notes academia edu - Aug 26 2022

web accounting information systems are designed to support all accounting functions and activities including auditing financial accounting porting managerial management

accounting information systems notes stuvia us - Mar 21 2022

web manual and computerized accounting information systems interestingly the term accounting information system predates computers technically an ais is a system

accounting information system notes studocu - Jul 25 2022

web sep 27 2023 components of an accounting information system an accounting information system is typically comprised of several modules each of which is

pdf accounting information system ais researchgate - Sep 07 2023

web the information system an accountant s perspective many readers are exploring these study notes as part of a college or university course named accounting

accounting information system wikipedia - May 23 2022

web define an accounting information system your answer an ais is a system that collects records stores and processes data to produce information for decision makers

chapter 1 accounting information systems theoretical pearson - May 03 2023

web an accounting information system ais refers to tools and systems designed for the collection and display of accounting

information so accountants and executives can
the information system an accountant s - Nov 16 2021

accounting information system ais definition and - Jan 31 2023

web an accounting information system ais is the intelligence the information providing vehicle of that language accounting is a data identification collection and storage

complete lecture notes for mat 615 accounting information system - Oct 08 2023

web jun 27 2021 accounting information system ais authors osareme erhomosele university of jos accounting information is key to achieving organisational objectives

lecture 1 chapter 1 accounting information systems studylast - Sep 26 2022

web accounting information system a system that collects records stores and processes data to produce information for decision makers it includes people procedures and

accounting information systems notes stuvia us - Nov 28 2022

web accounting information systems summary notes angelica mae lee based from romney s book 13th edition see full pdf download pdf see full pdf download

accounting information system ais definition use - Mar 01 2023

web may 18 2018 view all 16 notes for accounting information systems written by vernon richardson professor chengyee janie chang rod e smith professor all

01 introduction to accounting information systems notes - Dec 30 2022

web an information system collects processes and stores accounting and other data and reports information accounting a data identification collection and storage process

accounting information systems global edition 15th edition - Apr 02 2023

web accounting information system an accounting information system is a unified structure that employs physical resources and components to transform economic data

7 1 define and describe the components of an - Jul 05 2023

web exploration of what an accounting information system ais is how an ais adds value to an organisation how an ais and corporate strategy affect each other and the role of an

james a hall chapter 1 accounting information systems 4th - Aug 06 2023

web technically an ais is a system or set of processes for collecting data about accounting transactions recording organizing and summarizing the data and culminating with the

6 components of an accounting information system - Jun 04 2023

web part iv accounting information systems applications 451 chapter 14 the revenue cycle sales to cash collections 452 introduction 454 revenue cycle information

surface technology environmental resource center sterc - Oct 07 2022

web a yes there are several plating courses available begin by investigation the organizations and text and training references below most courses in electroplating cover a variety of topics a general electroplating course is

[electroplating industry training advint incorporated](#) - May 14 2023

web this course covers reach compliant and newer deposition techniques including trivalent hard and decorative chromium plating tin plating plating on titanium and parts made with additive manufacturing and plating with cyanide free precious metal formulas

hard chrome plating school training finishing com - Apr 13 2023

web if you can get to the u s a hard chrome plating consultants inc in cleveland offers or offered specialized hands on training classes in hard chrome plating it included a 362 page looseleaf book chrome plating simplified reversible rack 2 bus bar system which is extremely detailed and might be available by mail

[nasf s web based chromium plating for engineering applications course](#) - Jun 15 2023

web oct 12 2020 this training program is beneficial for operators and supervisors of job shops and captive shops performing hard chromium plating operations on a variety of substrates the course can also be beneficial for sales personnel who work for suppliers of hard chromium and equipment

what is hard chrome plating twi - Dec 09 2022

web hard chrome plating is an electroplating process in which chromium is deposited from a chromic acid solution thickness of hard chrome plating ranges from 2 to 250µm various types of hard chrome include micro cracked chromium micro porous chromium porous chromium and crack free chromium

hard chrome plating consultants inc - Jan 30 2022

web we provide supplies and consulting for the hard chrome plating industry including porous pot chromic acid purifiers reversible rack two bus bar systems lead anodes chromimum plating on wire and training

[still time to join the hard chrome plating alternatives jip](#) - Feb 28 2022

web jul 7 2021 there is still time for industrial members to join our joint industry project investigating replacement coating technologies for hard chrome plating traditional wear resistant coatings such as tungsten carbide and chromium carbide are expensive and reach legislation is becoming increasingly restrictive for the use of coatings based on

[hard chrome plating training course](#) - Aug 17 2023

web section 1 course overview section 2 introduction to hard chrome plating nickel copper silver zinc or other electroplated metals all play an important role in manufacturing however there is something special about hard chrome that makes it a first class process

[guide to hard chrome plating hard chrome specialists](#) - Apr 01 2022

web what is hard chrome plating hard chrome plating is a process in which a layer of chromium is applied to a surface to improve corrosion and abrasion resistance reduce friction and extend the life of parts used in extreme wear conditions how hard is hard chrome plating

training manuals hard chrome plating consultants inc - Jul 04 2022

web training manuals hard chrome plating simplified cpsr a manual that consists of basic simplified hard chrome plating information to help you make greater profits with over 200 illustrations and photographs also includes 32 blue prints 382 pages this book was last revised in 1986

professional training courses worldwide plating - Mar 12 2023

web world wide plating france wwp offers consulting services as well as training courses from workshop operator level up to master level in the field of plating and surface finishing the main objectives of wwp are to teach the operation of surface finishing processes on the scientific basis of electrochemistry and to offer consulting services

national compliance assistance centers - Feb 11 2023

web hard chrome plating training online course the hard chrome plating training course book is just the beginning complementing it is an interactive digital training course developed to enhance your learning experience and track your progress toward complete understanding of hard chrome plating

[plating fundamentals metal course thors elearning solutions](#) - Jun 03 2022

web plating fundamentals metal introduces learners to the basic components processes and general terminology associated with metal plating industries the information critical to metal plating is brought to life in this course using realistic 2d and 3d models helpful animations and interactive quizzes

3 great offers from sterc plating books - Nov 08 2022

web it covers all aspects of pollution prevention for all major plating operations hard chrome plating training course is a practical and in depth text that covers all aspects of hard chrome plating it is a valuable learning tool and reference book for both beginners and seasoned platers

what is a hard chromium plating definition from corrosionpedia - May 02 2022

web aug 3 2018 hard chrome plating is a type of electrolytic process that makes use of an electrolyte that is based in chromic acid this part is regarded as the cathode and as dc current travels through lead anodes chromium forms on the

surface of the component hard chrome plating is applicable to materials like stainless steel ferrous metals

hard chrome the importance of training - Sep 06 2022

web 28 december 2022 even though the hard chrome bath is relatively easy to maintain the overall process is quite complicated and specialized training is needed to be successful eric svenson sr this is because of complex issues involving the following items preplate requirements for grinding heat treating and stress relief

surface technology environmental resource center sterc - Jul 16 2023

web sterc is publishing a hard chrome plating training course this spring this 168 page text and accompanying video are excellent tools for both new and advanced electroplaters numerous topics are covered including process chemistry testing plating equipment plating methods troubleshooting bath maintenance health and safety and pollution

electroplating self study course asm international - Aug 05 2022

web this course provides the electrical and chemical fundamentals of electroplating many types of metallic electrodeposition are explained in a do and don t presentation target audience

hard chrome plating training course mhh auto page 1 - Dec 29 2021

web jan 8 2016 hard chrome plating training course acfbh2003 location offline junior member reputation 20 thanks given 201 thanks received 55 31 posts posts 163 threads 43 joined feb 2014 1 01 08 2016 03 48 pm hello people good morning all i need a literature about hard chrome plating training course see pdf attached

best practice in hard chrome plating youtube - Jan 10 2023

web aug 28 2020 about this webinar the hard chrome plating process is a very mature technology since its development 90 years ago it has been used with success in a vast r

we need to talk about kevin review the guardian - Apr 17 2023

web oct 20 2011 we need to talk about kevin review lionel shriver s award winning novel has become a superb film with director lynne ramsay putting her finger on unpalatable truths

we need to talk about kevin 2011 imdb - Sep 22 2023

web oct 21 2011 we need to talk about kevin directed by lynne ramsay with tilda swinton john c reilly ezra miller jasper newell kevin s mother struggles to love her strange child despite the increasingly dangerous things he says and does as he grows up

the ending of we need to talk about kevin explained looper - Jun 19 2023

web jul 12 2021 kevin is a defiant baby who screams incessantly but never around franklin he grows into a spiteful toddler refusing to say mommy and egging on her frustrations at one point she mockingly

we need to talk about kevin rotten tomatoes - May 18 2023

web when kevin grows from a fussy demanding toddler rocky duer into a sociopathic teen ezra miller eva is forced to deal with the aftermath of her son s horrific act rating r language

[watch we need to talk about kevin prime video amazon com](#) - Jan 14 2023

web we need to talk about kevin in this golden globe nominated psychological thriller oscar winner tilda swinton plays eva the mother of the evil kevin ezra miller eva contends with her clueless husband john c reilly and her son s malevolent ways as the narrative builds to a chilling and unforgettable climax 2 801 1 h 52 min 2012 x ray r

[we need to talk about kevin official us trailer hd youtube](#) - Jul 20 2023

web now available on demand and digital ow ly efxgu oscilloscope net kevin a suspenseful and gripping psychological thriller lynne ramsay s w

we need to talk about kevin 2011 plot imdb - Feb 15 2023

web plot we need to talk about kevin jump to edit summaries kevin s mother struggles to love her strange child despite the increasingly dangerous things he says and does as he grows up but kevin is just getting started and his final act

we need to talk about kevin wikipedia - Aug 21 2023

web we need to talk about kevin is a 2003 novel by lionel shriver published by serpent s tail about a fictional school massacre it is written from the first person perspective of the teenage killer s mother eva khatchadourian and documents her attempt to come to terms with her psychopathic son kevin and the murders he committed as

we need to talk about kevin movie review 2012 roger ebert - Mar 16 2023

web jan 25 2012 directed by lynne ramsay we need to talk about kevin is fragments of time jagged and confusing lurching around inside her mind the film moves without any pattern between past present and who knows when we cling to guidelines like the length of tilda swinton s hair to figure out where we are

[we need to talk about kevin film wikipedia](#) - Oct 23 2023

web we need to talk about kevin is a 2011 psychological thriller drama film directed by lynne ramsay from a screenplay she co wrote with rory stewart kinnear based on the 2003 novel of the same name by lionel shriver