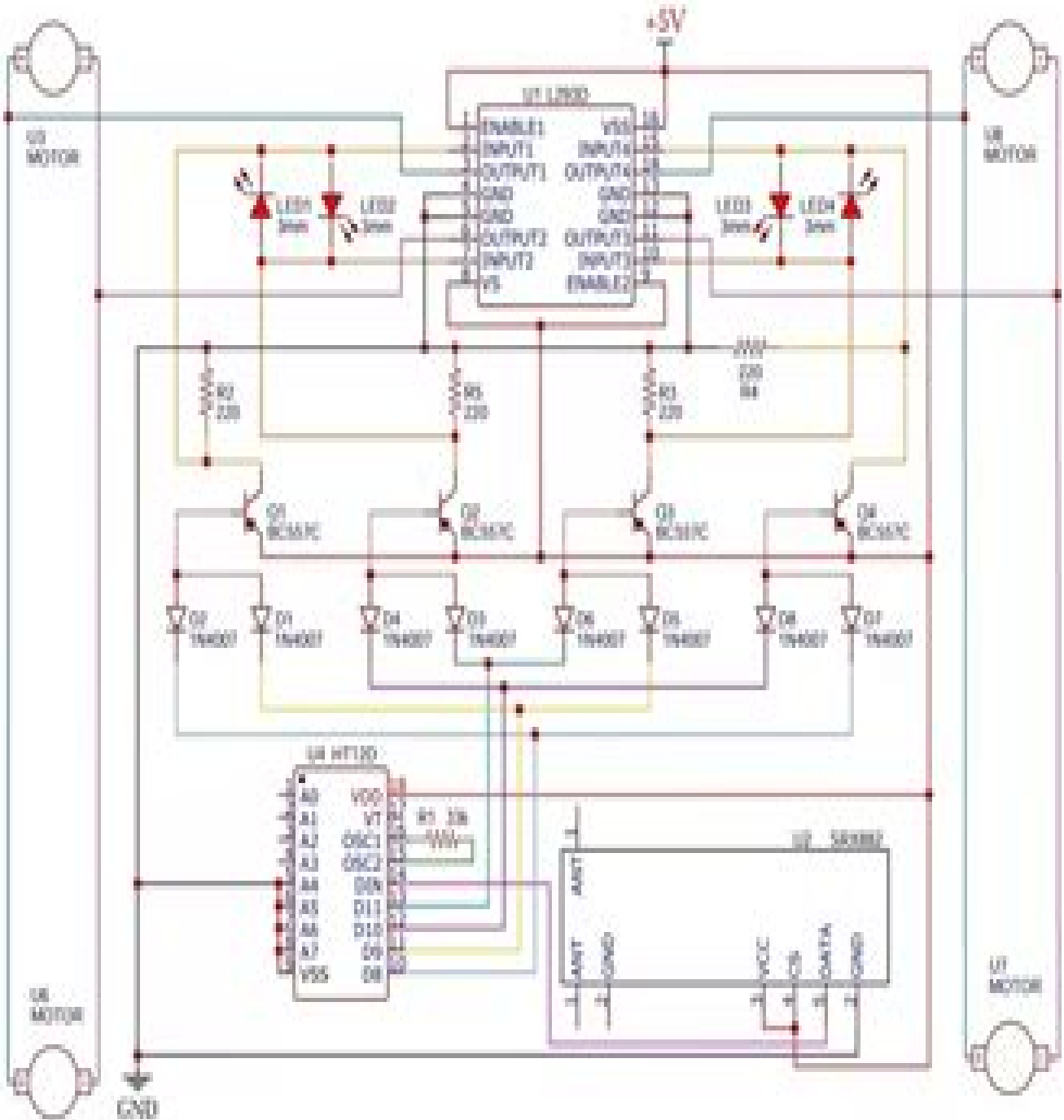
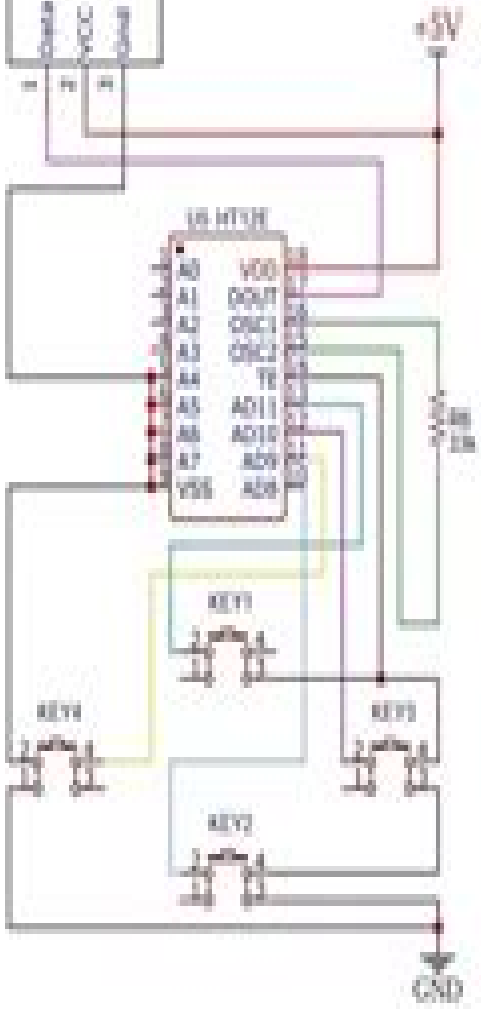


# RF Remote Control Car Circuit



# Circuit Diagram Rc Control Car

**M Lipman**

A decorative graphic element consisting of a horizontal light blue bar with a rounded right end, and a red circular glow behind it.

## **Circuit Diagram Rc Control Car:**

This is likewise one of the factors by obtaining the soft documents of this **Circuit Diagram Rc Control Car** by online. You might not require more period to spend to go to the book start as competently as search for them. In some cases, you likewise pull off not discover the statement Circuit Diagram Rc Control Car that you are looking for. It will extremely squander the time.

However below, taking into account you visit this web page, it will be in view of that unquestionably easy to get as well as download guide Circuit Diagram Rc Control Car

It will not bow to many epoch as we explain before. You can accomplish it though play a part something else at home and even in your workplace. in view of that easy! So, are you question? Just exercise just what we have enough money under as competently as review **Circuit Diagram Rc Control Car** what you once to read!

[https://py.bijouxmedusa.com/results/book-search/default.aspx/postgresql\\_laravel\\_laravel\\_5\\_laravel\\_migrations\\_update.pdf](https://py.bijouxmedusa.com/results/book-search/default.aspx/postgresql_laravel_laravel_5_laravel_migrations_update.pdf)

## **Table of Contents Circuit Diagram Rc Control Car**

1. Understanding the eBook Circuit Diagram Rc Control Car
  - The Rise of Digital Reading Circuit Diagram Rc Control Car
  - Advantages of eBooks Over Traditional Books
2. Identifying Circuit Diagram Rc Control Car
  - Exploring Different Genres
  - Considering Fiction vs. Non-Fiction
  - Determining Your Reading Goals
3. Choosing the Right eBook Platform
  - Popular eBook Platforms
  - Features to Look for in an Circuit Diagram Rc Control Car
  - User-Friendly Interface
4. Exploring eBook Recommendations from Circuit Diagram Rc Control Car

- Personalized Recommendations
  - Circuit Diagram Rc Control Car User Reviews and Ratings
  - Circuit Diagram Rc Control Car and Bestseller Lists
5. Accessing Circuit Diagram Rc Control Car Free and Paid eBooks
    - Circuit Diagram Rc Control Car Public Domain eBooks
    - Circuit Diagram Rc Control Car eBook Subscription Services
    - Circuit Diagram Rc Control Car Budget-Friendly Options
  6. Navigating Circuit Diagram Rc Control Car eBook Formats
    - ePub, PDF, MOBI, and More
    - Circuit Diagram Rc Control Car Compatibility with Devices
    - Circuit Diagram Rc Control Car Enhanced eBook Features
  7. Enhancing Your Reading Experience
    - Adjustable Fonts and Text Sizes of Circuit Diagram Rc Control Car
    - Highlighting and Note-Taking Circuit Diagram Rc Control Car
    - Interactive Elements Circuit Diagram Rc Control Car
  8. Staying Engaged with Circuit Diagram Rc Control Car
    - Joining Online Reading Communities
    - Participating in Virtual Book Clubs
    - Following Authors and Publishers Circuit Diagram Rc Control Car
  9. Balancing eBooks and Physical Books Circuit Diagram Rc Control Car
    - Benefits of a Digital Library
    - Creating a Diverse Reading Collection Circuit Diagram Rc Control Car
  10. Overcoming Reading Challenges
    - Dealing with Digital Eye Strain
    - Minimizing Distractions
    - Managing Screen Time
  11. Cultivating a Reading Routine Circuit Diagram Rc Control Car
    - Setting Reading Goals Circuit Diagram Rc Control Car
    - Carving Out Dedicated Reading Time
  12. Sourcing Reliable Information of Circuit Diagram Rc Control Car

- Fact-Checking eBook Content of Circuit Diagram Rc Control Car
  - Distinguishing Credible Sources
13. Promoting Lifelong Learning
- Utilizing eBooks for Skill Development
  - Exploring Educational eBooks
14. Embracing eBook Trends
- Integration of Multimedia Elements
  - Interactive and Gamified eBooks

### **Circuit Diagram Rc Control Car Introduction**

In today's digital age, the availability of Circuit Diagram Rc Control Car books and manuals for download has revolutionized the way we access information. Gone are the days of physically flipping through pages and carrying heavy textbooks or manuals. With just a few clicks, we can now access a wealth of knowledge from the comfort of our own homes or on the go. This article will explore the advantages of Circuit Diagram Rc Control Car books and manuals for download, along with some popular platforms that offer these resources. One of the significant advantages of Circuit Diagram Rc Control Car books and manuals for download is the cost-saving aspect. Traditional books and manuals can be costly, especially if you need to purchase several of them for educational or professional purposes. By accessing Circuit Diagram Rc Control Car versions, you eliminate the need to spend money on physical copies. This not only saves you money but also reduces the environmental impact associated with book production and transportation. Furthermore, Circuit Diagram Rc Control Car books and manuals for download are incredibly convenient. With just a computer or smartphone and an internet connection, you can access a vast library of resources on any subject imaginable. Whether you're a student looking for textbooks, a professional seeking industry-specific manuals, or someone interested in self-improvement, these digital resources provide an efficient and accessible means of acquiring knowledge. Moreover, PDF books and manuals offer a range of benefits compared to other digital formats. PDF files are designed to retain their formatting regardless of the device used to open them. This ensures that the content appears exactly as intended by the author, with no loss of formatting or missing graphics. Additionally, PDF files can be easily annotated, bookmarked, and searched for specific terms, making them highly practical for studying or referencing. When it comes to accessing Circuit Diagram Rc Control Car books and manuals, several platforms offer an extensive collection of resources. One such platform is Project Gutenberg, a nonprofit organization that provides over 60,000 free eBooks. These books are primarily in the public domain, meaning they can be freely distributed and downloaded. Project Gutenberg offers a wide range of classic literature, making it an excellent resource for literature enthusiasts. Another

popular platform for Circuit Diagram Rc Control Car books and manuals is Open Library. Open Library is an initiative of the Internet Archive, a non-profit organization dedicated to digitizing cultural artifacts and making them accessible to the public. Open Library hosts millions of books, including both public domain works and contemporary titles. It also allows users to borrow digital copies of certain books for a limited period, similar to a library lending system. Additionally, many universities and educational institutions have their own digital libraries that provide free access to PDF books and manuals. These libraries often offer academic texts, research papers, and technical manuals, making them invaluable resources for students and researchers. Some notable examples include MIT OpenCourseWare, which offers free access to course materials from the Massachusetts Institute of Technology, and the Digital Public Library of America, which provides a vast collection of digitized books and historical documents. In conclusion, Circuit Diagram Rc Control Car books and manuals for download have transformed the way we access information. They provide a cost-effective and convenient means of acquiring knowledge, offering the ability to access a vast library of resources at our fingertips. With platforms like Project Gutenberg, Open Library, and various digital libraries offered by educational institutions, we have access to an ever-expanding collection of books and manuals. Whether for educational, professional, or personal purposes, these digital resources serve as valuable tools for continuous learning and self-improvement. So why not take advantage of the vast world of Circuit Diagram Rc Control Car books and manuals for download and embark on your journey of knowledge?

### **FAQs About Circuit Diagram Rc Control Car Books**

How do I know which eBook platform is the best for me? Finding the best eBook platform depends on your reading preferences and device compatibility. Research different platforms, read user reviews, and explore their features before making a choice. Are free eBooks of good quality? Yes, many reputable platforms offer high-quality free eBooks, including classics and public domain works. However, make sure to verify the source to ensure the eBook credibility. Can I read eBooks without an eReader? Absolutely! Most eBook platforms offer web-based readers or mobile apps that allow you to read eBooks on your computer, tablet, or smartphone. How do I avoid digital eye strain while reading eBooks? To prevent digital eye strain, take regular breaks, adjust the font size and background color, and ensure proper lighting while reading eBooks. What the advantage of interactive eBooks? Interactive eBooks incorporate multimedia elements, quizzes, and activities, enhancing the reader engagement and providing a more immersive learning experience. Circuit Diagram Rc Control Car is one of the best book in our library for free trial. We provide copy of Circuit Diagram Rc Control Car in digital format, so the resources that you find are reliable. There are also many Ebooks of related with Circuit Diagram Rc Control Car. Where to download Circuit Diagram Rc Control Car online for free? Are you looking for Circuit Diagram Rc Control Car PDF? This is

definitely going to save you time and cash in something you should think about.

### **Find Circuit Diagram Rc Control Car :**

**postgresql laravel laravel 5 laravel migrations update**

[planeaciones de primaria 2016 2017 lainitas](#)

*[philips sonicare airfloss manual](#)*

[power plant engineering by morse](#)

[peugeot 106 diesel engine](#)

[power switching converters](#)

*[philosophy mcq with answers](#)*

**physics principles and problems chapter 9 study answers**

**plantronics voyager 500a user manual**

[pmbok 5th edition notes](#)

[post tensioned concrete design csi documents](#)

*[philips bv endura service manual frogenore](#)*

[plant physiology taiz and zeiger filetype pdf download](#)

**positive psychology the science of happiness and human strengths**

[points of view an anthology short stories james moffett](#)

### **Circuit Diagram Rc Control Car :**

**secondary checkpoint coursebooks workbooks solutions** - Oct 05 2022

web cambridge checkpoint cambridge secondary checkpoint past papers solutions mathematics science download pdf igcse cie grade 8 grade exam support website for cambridge checkpoint cambridge checkpoint science 9 workbook answers mary jones cambridge checkpoint maths 9 coursebook answers

*stage 9 science coursebook workbook solutions* - May 12 2023

web cambridge checkpoint science 9 coursebook answers mary jones

[study science learn science cambridge university press](#) - Nov 06 2022

web answers to all questions in the coursebook and workbook as well as guidance and safety notes for all practical activities are also included integrated review of topics from stages 7 and 8 as well as full coverage of the stage 9 content provides

preparation for the cambridge checkpoint science test and a solid foundation for progression into

**cambridge science workbook 9 answers pdfiller** - Mar 30 2022

web how to fill out cambridge science workbook 9 01 start by reading the introduction section to understand the purpose and layout of the workbook 02 familiarize yourself with the topics covered in each chapter by skimming through the table of contents 03 begin with chapter 1 and read the instructions carefully for each exercise or activity 04

study science learn science cambridge university press - Jun 01 2022

web written by well respected authors the cambridge checkpoint science suite provides a comprehensive structured resource which covers the full cambridge secondary 1 framework and seamlessly progresses into the next stage

science cambridge checkpoint cambridge university press - Apr 30 2022

web all checkpoint style questions and sample answers within this workbook are written by the authors acknowledgements the authors and publishers acknowledge the following sources for photographs cover pal hermansen steve bloom images alamy stock photo

**study science learn science cambridge university press** - Sep 04 2022

web answers to all questions in the coursebook and workbook as well as guidance and safety notes for all practical activities are also included integrated review of topics from stages 7 and 8 as well as full coverage of the stage 9 content provides preparation for the cambridge checkpoint science test and a solid foundation for progression into

**cambridge checkpoint science workbook 9 9781107695740 quizlet** - Jun 13 2023

web cambridge checkpoint science workbook 9 9781107695740 solutions and answers quizlet find step by step solutions and answers to cambridge checkpoint science workbook 9 9781107695740 as well as thousands of textbooks so you can move forward with confidence homesubjects

cambridge checkpoint science 9 coursebook answers - Feb 26 2022

web cambridge checkpoint science 9 coursebook answers 1 500 00 1 000 00 approx 12 09 access to cambridge checkpoint science 9 coursebook answers for one year only buy now or add to cart category uncategorised

**checkpoint science workbook 9 solutions cambridge checkpoint** - Jan 08 2023

web checkpoint science workbook 9 solutions cambridge checkpoint past exam papers solutions

**lower secondary science 9 workbook answers studocu** - Aug 15 2023

web cambridge lower secondary science 9 mary jones diane fellowes freeman amp michael smyth workbook answers unit 1 photosynthesis and the carbon cycle topic 1 photosynthesis exercise 1 how light level affects photosynthesis 1 the type of plant the mass of the plant the temperature 2 apparatus amount of light volume of gas collected

*cambridge checkpoint science workbook 9 issuu* - Mar 10 2023

web feb 25 2013 as you work carefully through it you should find that you get gradually better and better at doing things such as using your knowledge to work out the answers to questions rather than just

*cambridge checkpoint science 9 workbook answers* - Apr 11 2023

web stage 9 science buy the science 9 workbook answers for 10 1 plants 2 living things in their environment 3 variation inheritance 4 material

*cambridge checkpoint science 9 workbook answers books file* - Jan 28 2022

web get free cambridge checkpoint science 9 workbook answers framework for english and seamlessly progresses into the next key stage covered by our cambridge igcse first language english series

*cambridge checkpoint science workbook 9 1st edition quizlet* - Aug 03 2022

web find step by step solutions and answers to cambridge checkpoint science workbook 9 9781107695740 as well as thousands of textbooks so you can move forward with confidence fresh features from the 1 ai enhanced learning platform

**cambridge checkpoint science 9 coursebook answers** - Dec 27 2021

web buy access to science 9 coursebook answers at 10 1 plants 2 living things in their environment 3 variation inheritance 4 material properties

**challenge workbook 9 answers cambridge university press** - Jul 14 2023

web challenge workbook 9 answers 1 all sample answers to the cambridge secondary 1 checkpoint style questions have been written by the authors of this work unit 1 plants 1 1 floating discs experiment 1 oxygen 2 the stomata little holes in the epidermis are on the underside of leaves

cambridge checkpoint science teacher s resource 9 cambridge - Jul 02 2022

web copyright cambridge university press 2013 cambridge checkpoint science 9 2 copy cambridge university press 2013 cp9 awe u9 11 indd 2 2 18 2013 6 25 24 pm answers to workbook exercises unit 9 exercise 9 8 moments of forces 1 400 n m clockwise 2 20 n m 20 n m 24 n m greatest 3 on left 600 n m anticlockwise on

*cambridge checkpoint science coursebook 9 issue* - Feb 09 2023

web feb 18 2013 this book covers the third year stage 9 of the cambridge secondary 1 science curriculum at the end of the year your teacher may ask you to take a test called a progression test you may also

**cambridge checkpoint science challenge workbook 9 pdf** - Dec 07 2022

web cambridge checkpoint science challenge workbook 9 free download as pdf file pdf text file txt or read online for free cambridge checkpoint science challenge workbook 9 preview

**6 administrative assistant courses to equip you for success careerbuilder** - Apr 04 2023

web administrative assistant applications administrative assistant fundamentals administrative assistant suite basic computer

skills suite computer skills for the workplace if you already have some experience as an administrative assistant you can pursue one of the advanced career training courses

*administrative assistant the training course esse 2023* - Jun 06 2023

web administrative assistant the training course esse downloaded from helpdesk bricksave com by guest santos kenyon kinn s the clinical medical assistant assistants lead long the gold standard for office professionals seeking to improve their performance and enhance their value to employers the fifth edition of the

**download free administrative assistant the training course esse** - Mar 23 2022

web administrative assistant the training course esse 8 hours unarmed security guard skills training course sep 15 2021 this training manual is intended for use as part of an instructor led course in accordance with arizona revised statute title 32 chapter 26 article 4 32 2632 and arizona administrative code title 13 article 6 r13 6 601

office administration course administrative assistant training - Apr 23 2022

web singaporean 40 yrs and above 648 singaporean 21 39 yrs pr 648 duration 14 hours office administration course trains you as a professional office administrator develop skills to perform the administrative assistant job effectively

*becoming an administrative assistant udemy* - May 05 2023

web description administrative assistants are essential parts of day to day operations in many companies they organize files prepare documents schedule appointments and support other staff often an entry level position the administrative assistant position can lead to a career in operations or project management

free online certificate courses to become an administrative assistant - May 25 2022

web detailed career path guide how much do office clerks make what skills they need how they begin their career learn the basics and how to get the job

administrative assistant the training course esse pdf uniport edu - Feb 19 2022

web may 14 2023 administrative assistant the training course esse 3 4 downloaded from uniport edu ng on may 14 2023 by guest with store and district managers training strategies were closely linked to company philosophies in house management involvement in training design delivery varied widely all companies offered some

**the executive assistant guide skills courses and getting started** - Feb 02 2023

web jun 16 2023 you may start as an office assistant secretary or administrative assistant to advance to an executive assistant position these roles provide key work experience needed to move into an executive assistant position

administrative assistant the training course esse copy - Sep 09 2023

web administrative assistant course london wowcher office administration courses online free free online administrative assistant courses training diploma 5 online courses every executive assistant should take administrative assistant the training

course esse downloaded from ai classmonitor com by guest gretchen

*administrative assistant training courses online and in person* - Jul 07 2023

web attend our expert led highly interactive live online and in person courses and develop the skills and strategies necessary to perform your administrative duties at a professional level add more value to the organization and accomplish your career goals

administrative assistant the training course essential elements - Jan 01 2023

web free self development and soft skills training course administrative assistant vs executive assistant whats lp procedures pro all things admin training center administrative assistant job description samples nine skills needed to be a successful administrative best sellers best secretarial aids amp training

administrative assistant the training course esse 2022 admin - Oct 10 2023

web administrative assistant the training course esse downloaded from admin store motogp com by guest grace dwayne executives and assistants working in partnership pearson focus on income not

**ebook administrative assistant the training course esse** - Aug 28 2022

web administrative assistant the training course esse becoming a teaching assistant oct 29 2021 this book is a course text for teaching assistants it aims to help students make the transition into undergraduate level study it is also a teaching and learning resource for students and tutors on undergraduate programs educational assistant

4 administrative assistant courses to advance your career - Mar 03 2023

web mar 16 2023 4 certification courses for administrative assistants if you re interested in working as an administrative assistant here are some certification courses that may help you 1 certified administrative assistant caa the certified administrative assistant certification comes from the national career certification board nccb

**administrative assistant the training course esse 2023 mail** - Jun 25 2022

web the leader assistant four pillars of a confident game changing assistant administrative assistant s and secretary s handbook executives and assistants working in partnership

*administrative assistant the training course google books* - Aug 08 2023

web jan 11 2015 gone are the days of performing only the basic duties of typing and filing now the assistant is a vital part of the every day business process if you want to learn the basics of administrative duties plus how to be exceptional and be a central part of a boss s work processes this is the course for you

*administrative assistant training free online course alison* - Sep 28 2022

web train as an administrative assistant in this free online administration course that explains how to organise an office one of the most crucial roles in every firm is that of the administrative assistant this course teaches you all

[shh 12 secrets only the best administrative assistants know](#) - Oct 30 2022

web shh 12 secrets only the best administrative assistants know personal professional development for administrative and executive assistants 3 6 320 ratings 2 430 students created by sofia santiago phd international award winning speaker and author last updated 5 2017

**administrative assistant the training course esse pdf pdf** - Jul 27 2022

web course covers many management areas such as human resource management and strategic management as well as behavioral areas such as motivation no one individual can be an expert in all areas of management so an

**online training for executive and administrative assistants** - Nov 30 2022

web our online training options include a wide variety of webinars covering essential topics such as time management communication skills and leadership development we also offer a range of online courses and program series specifically designed for executive assistants and administrative assistants

**modern biology pdf slideshare** - Oct 30 2022

web may 5 2010 modern biology study guide booklet answers read more modern biology 1 of 333 download now recommended chemical properties of alcohols kamran mammadli answer key quiz no 1 3rd mp 2010 javier aguirre

**modern biology study guide answer key amazon com** - Feb 02 2023

web jan 1 1999 modern biology study guide answer key holt rinehart and winston inc winston holt rinehart on amazon com free shipping on qualifying offers modern biology study guide answer key

**biology workbook answer key studylib net** - Jun 25 2022

web free essays homework help flashcards research papers book reports term papers history science politics

**modern biology study guide answer key 49 bruce alberts** - Nov 30 2022

web modern biology study guide answer key 49 as recognized adventure as competently as experience just about lesson amusement as well as understanding can be gotten by just checking out a book

**modern biology study guide answer key chapter 49 pdf pdf** - May 25 2022

web getting the books modern biology study guide answer key chapter 49 pdf pdf now is not type of inspiring means you could not without help going taking into consideration book buildup or library or borrowing from your contacts to read them this is an no question easy means to specifically get lead by on line this online statement modern

*modern biology study guide with answer key google books* - Aug 08 2023

web modern biology study guide with answer key authors holt rinehart winston holt rinehart and winston staff edition 6 publisher harcourt school publishers 2006

**biology chapter 5 section 5 1 review passive transport quizlet** - Apr 04 2023

web oct 21 2023 modern biology study guide chapter 5 section 1 page 27 and 28 learn with flashcards games and more for free

*modern biology study guides yumpu* - Jun 06 2023

web short answer with critical thinking questions help you to synthesize and write modern biology study guide name class date section 1 1 review the world of biology vocabulary review define the following terms modern biology study guide 49 name class date short answer answer the questions in the space

*modern biology study guide answer key goodreads* - Jan 01 2023

web jan 1 1999 book by holt rinehart winston

*modern biology study guide answer key pdf answers for 2023* - Oct 10 2023

web find step by step solutions and answers to modern biology student edition 9780030367694 as well as thousands of textbooks so you can move forward with quizlet com explanations textbook solutions modern biology student edition 1st edition 9780030367694

**modern biology 49 answer key 2023 physio hey nhs** - Feb 19 2022

web modern biology 49 answer key 2016 02 25 2 23 modern biology 49 answer key gcse biology for aqa grade 9 1 2012 02 03 expert guidance on the biology e m exam many colleges and educated layman s guide to this ongoing revolution barash s purpose is to demystify the basic concepts of the genetic

**modern biology study guide answer key section49 pdf cie** - Mar 03 2023

web the guide identifies design issues providing construction guidelines for functional areas considerations such as drainage vibration and noise control and environmental monitoring and specialized facilities for

**biology workbook answer key modern biology study guide** - Jul 07 2023

web view notes biology workbook answer key from eco 101 at edison community college modern biology study guide name class date section 1 1 review the world of biology vocabulary review log in join biology workbook answer key modern biology study guide doc preview pages 100 identified q as 100

*modern biology study guide answer key 2 1 answers for 2023* - Apr 23 2022

web modern biology study guide answers 2 1 modern biology worksheet answers coursenotes modern biology study guide answer key section 7 1 vocabulary review 1 cellular respiration is the process in which cells make atp by breaking down organic compounds 2 glycolysis is a biochemical pathway in which one molecule of

*modern biology 2nd edition solutions and answers quizlet* - Sep 09 2023

web with expert solutions for thousands of practice problems you can take the guesswork out of studying and move forward with confidence find step by step solutions and answers to modern biology 9780030565410 as well as thousands of textbooks

so you can move forward with confidence

*modern biology study guide answer key 49 pdf* - Sep 28 2022

web merely said the modern biology study guide answer key 49 is universally compatible bearing in mind any devices to read modern biology study guide answer key 49 2022 11 05 harrison christensen modern biology study guide answer key rinehart winston how to get an a in biology biology study guide book all answers

modern biology chapter tests with answer key general and - May 05 2023

web read each question and write your answer in the space provided 24 list three major themes of biology 25 list seven major characteristics of life 26 would a field biologist who studies the ecology of a bird species necessarily use the same scientific methods as a laboratory biologist who studies how a virus infects cells why or why not 27

**study guide answer key modern biology 2006 amazon com** - Aug 28 2022

web jan 1 2006 buy study guide answer key modern biology 2006 on amazon com free shipping on qualified orders study guide answer key modern biology 2006 holt rinehart winston author 9780030367175 amazon com books

**modern biology study guide answer key study finder** - Mar 23 2022

web some of the worksheets for this concept are worms and mollusks review answer key worms and mollusks section review answer key mollusks and annelids review answer key mollusks answer key mollusks and segmented worms answer key mollusks answer key epub worms and mollusks review answer key biology junction mollusks and

*modern biology study guide answer key section49 pdf* - Jul 27 2022

web feb 1 2023 modern biology study guide answer key section49 1 2 downloaded from las gnome org on february 1 2023 by guest modern biology study guide answer key section49 when people should go to the book stores search creation by shop shelf by shelf it is in point of fact problematic