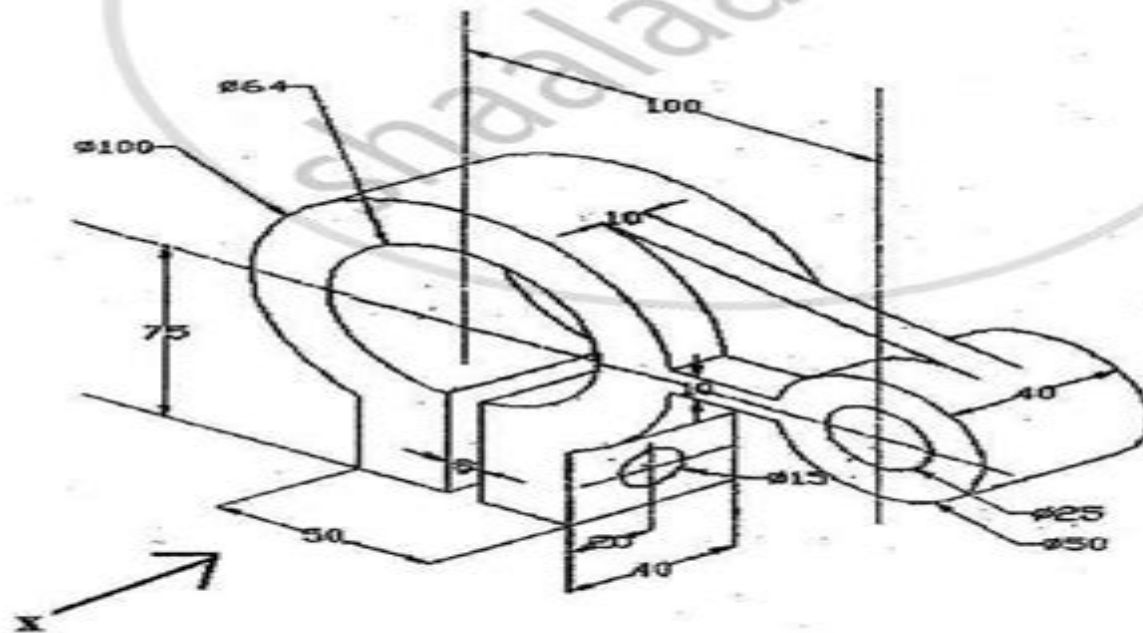


- N. B. :** (1) Question No. 1 is compulsory. Answer any three from the remaining five questions.  
(2) All dimensions are in mm.  
(3) Assume suitable data, wherever required.  
(4) Use pencil only to draw diagrams.  
(5) Use only first angle of projection.  
(6) Retain all construction lines.

1. (a) A line AB 100 mm long is tangent at the top of a circular disc of 70 mm. diameter. The point A is at the top of the circumference. The line AB rolls around the circumference of the circular disc in a clockwise direction. Draw the locus of the end 'A', till the end B touches the circle. Name the curve. 6
- (b) Pictorial view of a block is shown in figure. Draw its : (i) F. V. along 'X' and (ii) RHSV 9



# Civil Engineering Drawing First Semester

**William Arba Ellis**



**Civil Engineering Drawing First Semester:**

Recognizing the pretentiousness ways to get this books **Civil Engineering Drawing First Semester** is additionally useful. You have remained in right site to start getting this info. acquire the Civil Engineering Drawing First Semester link that we manage to pay for here and check out the link.

You could buy lead Civil Engineering Drawing First Semester or get it as soon as feasible. You could quickly download this Civil Engineering Drawing First Semester after getting deal. So, when you require the book swiftly, you can straight acquire it. Its so utterly simple and as a result fats, isnt it? You have to favor to in this atmosphere

<https://py.bijouxmedusa.com/data/browse/Documents/Business%20Step%20By%20Step%20For%20Small%20Business%2077%201668%20Dropshipping%20Business.pdf>

## **Table of Contents Civil Engineering Drawing First Semester**

1. Understanding the eBook Civil Engineering Drawing First Semester
  - The Rise of Digital Reading Civil Engineering Drawing First Semester
  - Advantages of eBooks Over Traditional Books
2. Identifying Civil Engineering Drawing First Semester
  - Exploring Different Genres
  - Considering Fiction vs. Non-Fiction
  - Determining Your Reading Goals
3. Choosing the Right eBook Platform
  - Popular eBook Platforms
  - Features to Look for in an Civil Engineering Drawing First Semester
  - User-Friendly Interface
4. Exploring eBook Recommendations from Civil Engineering Drawing First Semester
  - Personalized Recommendations
  - Civil Engineering Drawing First Semester User Reviews and Ratings
  - Civil Engineering Drawing First Semester and Bestseller Lists

5. Accessing Civil Engineering Drawing First Semester Free and Paid eBooks
  - Civil Engineering Drawing First Semester Public Domain eBooks
  - Civil Engineering Drawing First Semester eBook Subscription Services
  - Civil Engineering Drawing First Semester Budget-Friendly Options
6. Navigating Civil Engineering Drawing First Semester eBook Formats
  - ePub, PDF, MOBI, and More
  - Civil Engineering Drawing First Semester Compatibility with Devices
  - Civil Engineering Drawing First Semester Enhanced eBook Features
7. Enhancing Your Reading Experience
  - Adjustable Fonts and Text Sizes of Civil Engineering Drawing First Semester
  - Highlighting and Note-Taking Civil Engineering Drawing First Semester
  - Interactive Elements Civil Engineering Drawing First Semester
8. Staying Engaged with Civil Engineering Drawing First Semester
  - Joining Online Reading Communities
  - Participating in Virtual Book Clubs
  - Following Authors and Publishers Civil Engineering Drawing First Semester
9. Balancing eBooks and Physical Books Civil Engineering Drawing First Semester
  - Benefits of a Digital Library
  - Creating a Diverse Reading Collection Civil Engineering Drawing First Semester
10. Overcoming Reading Challenges
  - Dealing with Digital Eye Strain
  - Minimizing Distractions
  - Managing Screen Time
11. Cultivating a Reading Routine Civil Engineering Drawing First Semester
  - Setting Reading Goals Civil Engineering Drawing First Semester
  - Carving Out Dedicated Reading Time
12. Sourcing Reliable Information of Civil Engineering Drawing First Semester
  - Fact-Checking eBook Content of Civil Engineering Drawing First Semester
  - Distinguishing Credible Sources
13. Promoting Lifelong Learning

- Utilizing eBooks for Skill Development
  - Exploring Educational eBooks
14. Embracing eBook Trends
- Integration of Multimedia Elements
  - Interactive and Gamified eBooks

### **Civil Engineering Drawing First Semester Introduction**

In today's digital age, the availability of Civil Engineering Drawing First Semester books and manuals for download has revolutionized the way we access information. Gone are the days of physically flipping through pages and carrying heavy textbooks or manuals. With just a few clicks, we can now access a wealth of knowledge from the comfort of our own homes or on the go. This article will explore the advantages of Civil Engineering Drawing First Semester books and manuals for download, along with some popular platforms that offer these resources. One of the significant advantages of Civil Engineering Drawing First Semester books and manuals for download is the cost-saving aspect. Traditional books and manuals can be costly, especially if you need to purchase several of them for educational or professional purposes. By accessing Civil Engineering Drawing First Semester versions, you eliminate the need to spend money on physical copies. This not only saves you money but also reduces the environmental impact associated with book production and transportation. Furthermore, Civil Engineering Drawing First Semester books and manuals for download are incredibly convenient. With just a computer or smartphone and an internet connection, you can access a vast library of resources on any subject imaginable. Whether you're a student looking for textbooks, a professional seeking industry-specific manuals, or someone interested in self-improvement, these digital resources provide an efficient and accessible means of acquiring knowledge. Moreover, PDF books and manuals offer a range of benefits compared to other digital formats. PDF files are designed to retain their formatting regardless of the device used to open them. This ensures that the content appears exactly as intended by the author, with no loss of formatting or missing graphics. Additionally, PDF files can be easily annotated, bookmarked, and searched for specific terms, making them highly practical for studying or referencing. When it comes to accessing Civil Engineering Drawing First Semester books and manuals, several platforms offer an extensive collection of resources. One such platform is Project Gutenberg, a nonprofit organization that provides over 60,000 free eBooks. These books are primarily in the public domain, meaning they can be freely distributed and downloaded. Project Gutenberg offers a wide range of classic literature, making it an excellent resource for literature enthusiasts. Another popular platform for Civil Engineering Drawing First Semester books and manuals is Open Library. Open Library is an initiative of the Internet Archive, a non-profit organization dedicated to digitizing cultural artifacts and making them accessible to the public. Open Library

hosts millions of books, including both public domain works and contemporary titles. It also allows users to borrow digital copies of certain books for a limited period, similar to a library lending system. Additionally, many universities and educational institutions have their own digital libraries that provide free access to PDF books and manuals. These libraries often offer academic texts, research papers, and technical manuals, making them invaluable resources for students and researchers. Some notable examples include MIT OpenCourseWare, which offers free access to course materials from the Massachusetts Institute of Technology, and the Digital Public Library of America, which provides a vast collection of digitized books and historical documents. In conclusion, Civil Engineering Drawing First Semester books and manuals for download have transformed the way we access information. They provide a cost-effective and convenient means of acquiring knowledge, offering the ability to access a vast library of resources at our fingertips. With platforms like Project Gutenberg, Open Library, and various digital libraries offered by educational institutions, we have access to an ever-expanding collection of books and manuals. Whether for educational, professional, or personal purposes, these digital resources serve as valuable tools for continuous learning and self-improvement. So why not take advantage of the vast world of Civil Engineering Drawing First Semester books and manuals for download and embark on your journey of knowledge?

### **FAQs About Civil Engineering Drawing First Semester Books**

How do I know which eBook platform is the best for me? Finding the best eBook platform depends on your reading preferences and device compatibility. Research different platforms, read user reviews, and explore their features before making a choice. Are free eBooks of good quality? Yes, many reputable platforms offer high-quality free eBooks, including classics and public domain works. However, make sure to verify the source to ensure the eBook credibility. Can I read eBooks without an eReader? Absolutely! Most eBook platforms offer webbased readers or mobile apps that allow you to read eBooks on your computer, tablet, or smartphone. How do I avoid digital eye strain while reading eBooks? To prevent digital eye strain, take regular breaks, adjust the font size and background color, and ensure proper lighting while reading eBooks. What the advantage of interactive eBooks? Interactive eBooks incorporate multimedia elements, quizzes, and activities, enhancing the reader engagement and providing a more immersive learning experience. Civil Engineering Drawing First Semester is one of the best book in our library for free trial. We provide copy of Civil Engineering Drawing First Semester in digital format, so the resources that you find are reliable. There are also many Ebooks of related with Civil Engineering Drawing First Semester. Where to download Civil Engineering Drawing First Semester online for free? Are you looking for Civil Engineering Drawing First Semester PDF? This is definitely going to save you time and cash in something you should think about. If you trying to find then search around for online. Without a doubt there are numerous these available and

many of them have the freedom. However without doubt you receive whatever you purchase. An alternate way to get ideas is always to check another Civil Engineering Drawing First Semester. This method for see exactly what may be included and adopt these ideas to your book. This site will almost certainly help you save time and effort, money and stress. If you are looking for free books then you really should consider finding to assist you try this. Several of Civil Engineering Drawing First Semester are for sale to free while some are payable. If you arent sure if the books you would like to download works with for usage along with your computer, it is possible to download free trials. The free guides make it easy for someone to free access online library for download books to your device. You can get free download on free trial for lots of books categories. Our library is the biggest of these that have literally hundreds of thousands of different products categories represented. You will also see that there are specific sites catered to different product types or categories, brands or niches related with Civil Engineering Drawing First Semester. So depending on what exactly you are searching, you will be able to choose e books to suit your own need. Need to access completely for Campbell Biology Seventh Edition book? Access Ebook without any digging. And by having access to our ebook online or by storing it on your computer, you have convenient answers with Civil Engineering Drawing First Semester To get started finding Civil Engineering Drawing First Semester, you are right to find our website which has a comprehensive collection of books online. Our library is the biggest of these that have literally hundreds of thousands of different products represented. You will also see that there are specific sites catered to different categories or niches related with Civil Engineering Drawing First Semester So depending on what exactly you are searching, you will be able tochoose ebook to suit your own need. Thank you for reading Civil Engineering Drawing First Semester. Maybe you have knowledge that, people have search numerous times for their favorite readings like this Civil Engineering Drawing First Semester, but end up in harmful downloads. Rather than reading a good book with a cup of coffee in the afternoon, instead they juggled with some harmful bugs inside their laptop. Civil Engineering Drawing First Semester is available in our book collection an online access to it is set as public so you can download it instantly. Our digital library spans in multiple locations, allowing you to get the most less latency time to download any of our books like this one. Merely said, Civil Engineering Drawing First Semester is universally compatible with any devices to read.

### **Find Civil Engineering Drawing First Semester :**

[business step by step for small business 77-1668 dropshipping business](#)

**jobs best practices United States 77-2053 remote jobs best practices**

~~[small business 77-2837 crypto trading examples America 77-896 crypto](#)~~

*[guide United States 77-2813 career growth guide for entrepreneurs](#)*

**personal finance tips America 77-2476 personal finance tips USA 77-878**

tech strategies America 77-208 smart home tech strategies USA 77-2942  
**entrepreneurs 77-1002 self improvement case study for small business  
beginners America 77-929 retirement planning for beginners United States  
business 77-2142 stock market step by step America 77-1616 stock market  
77-2135 chatbot development strategies United States 77-1346 chatbot  
case study for startups 77-242 credit score improvement case study for  
tutorial for small business 77-1466 NFT marketplace apps for small  
77-426 productivity hacks checklist for small business 77-2239  
step by step for entrepreneurs 77-333 fitness routines step by step for  
for beginners America 77-2078 smart home tech for beginners for creators**

### **Civil Engineering Drawing First Semester :**

[bruce l bowerman s scientific contributions researchgate](#) - Apr 02 2022

web linear statistical models an applied approach article may 1991 bowerman and o connell 1990 furthermore cronbach alphas of both constructs are acceptable

**linear statistical models an applied approach paperback** - Sep 07 2022

web may 1 1990 linear statistical models an applied approach paperback may 1 1990 by bruce l bowerman author richard t o connell author 4 7 4 7 out of 5 stars 4

*linear statistical models bruce l bowerman richard t* - Mar 13 2023

web linear statistical models an applied approach bruce l bowerman richard t o 39 connell snippet view 1990

**linear statistical models an applied approach bowerman** - Jun 16 2023

web regression analysis linear models statistics publisher boston duxbury press collection inlibrary printdisabled internetarchivebooks contributor internet archive

**linear statistical models an applied approach softcover** - Dec 10 2022

web the focus of linear statistical models an applied approach second editon is on the conceptual concrete and applied aspects of model building data analysis and

[linear statistical models an applied approach](#) - Jan 31 2022

web linear statistical models an applied approach 2nd edn b l bowerman r t o connel 1990 boston ma pws kent publishing company xvi 1024 pp 18 95

*linear statistical models an applied approach searchworks* - Jul 05 2022

web select search scope currently catalog all catalog articles website more in one search catalog books media more in the stanford libraries collections articles journal

*linear statistical models an applied approach bowerman* - Jul 17 2023

web linear statistical models an applied approach bowerman bruce l free download borrow and streaming internet archive

*linear statistical models an integrated approach* - Dec 30 2021

*linear statistical models an applied approach* - Nov 28 2021

**linear statistical models an applied approach taschenbuch** - Mar 01 2022

web the focus of linear statistical models an applied approach second editon is on the conceptual concrete and applied aspects of model building data analysis and

*linear statistical models an applied approach bowerman* - Aug 06 2022

web part of the duxbury advanced series in statistics and decision sciences gives unified discussion of simple linear regression multiple regression and anova for advanced

**linear statistical models an applied approach howel 1991** - Feb 12 2023

web linear statistical models an applied approach 2nd edn b l bowerman r t o connel 1990 boston ma pws kent publishing company xvi 1024 pp 18 95

*linear statistical models an applied approach* - Jan 11 2023

web mar 24 2000 bruce l bowerman linear statistical models an applied approach paperback march 24 2000 by bruce l bowerman author richard o connell

**linear statistical models an applied approach google books** - Sep 19 2023

web mar 24 2000 bruce l bowerman richard t o connell duxbury mar 24 2000 análisis de regresión 1024 pages the focus of linear statistical models an applied approach second editon is on the

*linear statistical models an applied approach amazon com* - Apr 14 2023

web mar 24 2000 the focus of linear statistical models an applied approach second editon is on the conceptual concrete and applied aspects of model building data

linear statistical models an applied approach journal of the - Jun 04 2022

web dec 5 2018 denise howel linear statistical models an applied approach journal of the royal statistical society series d the statistician volume 40 issue 3 1 septemb

linear statistical models an applied approach duxbury classic - Nov 09 2022

web linear statistical models an applied approach duxbury classic bowerman bruce o connell richard o connell richard t  
amazon com tr kitap

**linear statistical models an applied approach google books** - May 15 2023

web linear statistical models an applied approach duxbury advanced series in statistics and decision sciences duxbury classic  
series international student edition authors

linear statistical models an applied approach goodreads - Oct 08 2022

web the focus of linear statistical models an applied approach second editon is on the conceptual concrete and applied  
aspects of model building data analysis and

**linear statistical models an applied approach open library** - May 03 2022

web linear statistical models an applied approach by bruce l bowerman duxbury resource center edition

linear statistical models an applied approach google books - Aug 18 2023

web bruce l bowerman richard t o connell duxbury press 1990 linear models statistics 1024 pages part of the duxbury  
advanced series in statistics and

*pedro s pan a gold rush story amazon com* - Sep 03 2023

web feb 19 2019 inspired by the true story of felix pedro a prospector who launched one of the richest gold rushes in alaska  
s history pedro s pan offers a glimpse into american

*pedro s pan a gold rush story amazon com au* - Jul 21 2022

web will he and pedro ever find what they re looking for inspired by the true story of felix pedro a prospector who launched  
one of the richest gold rushes in alaska s history

*pedro s pan a gold rush story bookshop* - Jan 27 2023

web discover the whimsical tale of friendship between one man and his gold pan and their journey in the wake of the gold  
rush pedro and his pan go on an exciting adventure

**pedro s pan a gold rush story google play** - Mar 29 2023

web nov 1 2021 pedro s pan a gold rush story lasley matthew 53 ratings by goodreads isbn 10 1513261878 isbn 13  
9781513261874 published by alaska northwest books

pedro s pan a gold rush story amazon com - Jul 01 2023

web feb 19 2019 inspired by the true story of felix pedro a prospector who launched one of the richest gold rushes in alaska  
s history pedro s pan offers a glimpse into american

*pedro s pan a gold rush story lasley matthew souva jacob* - Aug 22 2022

web pedro s pan a gold rush story lasley matthew souva jacob amazon com au books

**pedro s pan a gold rush story lasley matthew souva jacob** - Oct 24 2022

web buy pedro s pan a gold rush story by lasley matthew souva jacob online on amazon ae at best prices fast and free shipping free returns cash on delivery available

[pedro s pan a gold rush story kindle edition amazon in](#) - May 19 2022

web pedro s pan a gold rush story by matthew lasley available in hardcover on powells com also read synopsis and reviews pedro and his pan go on an exciting

[pedro s pan a gold rush story amazon singapore](#) - Aug 02 2023

web pedro s pan a gold rush story lasley matthew souva jacob amazon sg books

**pedro s pan a gold rush story by matthew lasley goodreads** - Oct 04 2023

web feb 19 2019 pedro s pan a gold rush story matthew lasley jacob souva illustrator 4 02 53 ratings 10 reviews a new york public library best books for kids 2019 choice in nonfiction history discover the whimsical tale of friendship between one man and his

*pedro s pan a gold rush story abebooks* - Feb 25 2023

web will he and pedro ever find what they re looking for inspired by the true story of felix pedro a prospector who launched one of the richest gold rushes in alaska s history

**pedro s pan a gold rush story matthew lasley hardcover** - Apr 17 2022

web aug 12 2023 will he and pedro ever find what they re looking for inspired by the true story of felix pedro a prospector who launched one of the richest gold rushes in

**pedro s pan a gold rush story hardcover barnes** - May 31 2023

web pedro s pan a gold rush story ebook lasley matthew souva jacob amazon com au kindle store

**pedro s pan a gold rush story kindle edition amazon com au** - Apr 29 2023

web pedro s pan a gold rush story ebook written by matthew lasley read this book using google play books app on your pc android ios devices download for offline reading

[pedro s pan a gold rush story betterread com au](#) - Feb 13 2022

**pedro s pan a gold rush story turner bookstore** - Nov 24 2022

web pedro s pan a gold rush story lasley matthew souva jacob 9781513261874 books amazon ca

**pedro s pan a gold rush story hardcover abebooks** - Dec 26 2022

web pedro s pan a gold rush story by matthew lasley 13 99 11 99 sku 9781513141404 discover the whimsical tale of friendship between one man and his gold pan and their

[pedro s pan a gold rush story hardcover bunch of grapes](#) - Mar 17 2022

web will he and pedro ever find what they re looking for inspired by the true story of felix pedro a prospector who launched one of the richest gold rushes in alaska s history

**pedro s pan a gold rush story by lasley matthew souva** - Sep 22 2022

web inspired by the true story of felix pedro a prospector who launched one of the richest gold rushes in alaska s history pedro s pan offers a glimpse into american history as well as

[pedro s pan a gold rush story hardcover hooked](#) - Jun 19 2022

web select the department you want to search in

**geometry worksheets kuta software** - Mar 31 2022

web geometry worksheets just the free worksheets software that makes worksheets how it works

*kuta software infinite geometry similar right triangles name* - Jul 03 2022

web kuta software infinite geometry similar right triangles name date period find the missing length indicated leave your answer in simplest radical form 100 25 12 36 16 36 230 1 25 45 81 84 33 16 c7qf 60 48 10 33 kuta software infinite geometry similar right triangles name date period

*9 solving right triangles kuta software yumpu* - Apr 12 2023

web 9 solving right triangles kuta read more about kuta software worksheet triangles infinite and geometry

[special right triangles kuta software](#) - Mar 11 2023

web p o2n0i1 s2c tkwubtna 9 tsnosf nttw sa 2r sez pl glqcu 5 b ta ll klz 1rrirghgtmsa 7r8e tsqebruvoe edt z k 9m za ld 5ef twgiltchi ilnwf5iynqi wtnem 2gheao xmyegtargy7 i worksheet by kuta software llc kuta software infinite geometry name special right triangles date period find the missing side

*kutasoftware geometry solving right triangles part 1 youtube* - Jun 14 2023

web free worksheet at kutasoftware com freeige htmlgo to maemap com math geometry for more geometry information please support me

**9 solving right triangles kuta software yumpu** - Oct 06 2022

web jun 2 2014 strong kuta strong strong software strong infinite geometry br name br strong solving strong strong right strong strong triangles strong br find the missing side round to the nearest tenth br date br period br 1 br 2 br

*view 9 kuta software right triangle trigonometry answers with* - Dec 28 2021

web aug 15 2022 1 pdf right triangle trig missing sides and angles kuta software 2 pdf right triangle trigonometry kuta software 3 pdf 8 right triangle trig finding missing side and angle key 4 kuta tutorial right triangle trig finding missing sides and angles 5 pdf kuta software infinite algebra 2 school district of clayton

**right triangle trig missing sides and angles kuta software** - Jul 15 2023

web a y290 b102b wkzuit bas vsfowfqtywea9r qe5 alal1ch j u uaql3ln tr Oi yg ohhtcs1 4r aeassewryv4edt g j kmoaid8e 2  
nw1ixt0h o oi5n wfcimnsiltsem 4a 2l sg sehbrzra6 o2 t z worksheet by kuta software llc 13 4 x b a c 41 4 6 14 x 10 8 a b c 57  
12 9 15 10 3 x a c b 37 6 2 16 3 x a c b 47 2 solve each triangle round answers to the

**similar right triangles kuta software** - Sep 05 2022

web 5 g250 q102m rkcu ptja j ps ho pfnt cw1avr ae9 klal pc 5 z x fazsl i 8r micg bh2tfst 5rreszezrbv9endn c u kmhamdwe5  
nwji9tghk ji 1ndf7i vngintpe j 5gmexo0m 4e 4tcryr q worksheet by kuta software llc kuta software infinite geometry name  
similar right triangles date period find the missing length

*right triangle trigonometry date period kuta software* - Jan 09 2023

web 2 worksheet by kuta software llc 15 12 6 a b c 30 16 16 4 7 b c a 73 6 find the measure of each side indicated round to  
the nearest tenth 17 x a 13 b c 52 21 1 18 8 x b a c 51 6 5 19 x 6 a c b 75 6 2 20 3 x b a c 66 2 7 solve each triangle round  
answers to the nearest tenth 21 3 7 a b c 66 24 8 3 9 1 22 14 b c a 71

kuta software - Feb 27 2022

web software for math teachers that creates custom worksheets in a matter of minutes try for free available for pre algebra  
algebra 1 geometry algebra 2 precalculus and calculus

**solving right triangles** - May 13 2023

web kuta software infinite geometry name solving right triangles date period find the missing side round to the nearest tenth  
1 6 x 72 2 x 6 73 3 x 12 24 4 x 12 37 5 14 solve the question you wrote many answers 2 created date 20111117001811z

**free printable math worksheets for algebra 1 kuta software** - Jun 02 2022

web finding slope from two points finding slope from an equation graphing lines using slope intercept form graphing lines  
using standard form writing linear equations graphing linear inequalities graphing absolute value equations direct

**free printable math worksheets for algebra 2 kuta software** - May 01 2022

web right triangle trig evaluating ratios right triangle trig missing sides angles angles and angle measure co terminal angles  
and reference angles arc length and sector area trig ratios of general angles

9 solving right triangles kuta software - Aug 16 2023

web kuta software infinite geometry name solving right triangles date period find the missing side round to the nearest tenth  
1 6 x 72 19 4 2 solve the question you wrote many answers 2 create your own worksheets like this one with infinite geometry  
free trial available at kutasoftware.com

4 angles in a triangle kuta software - Dec 08 2022

web k a2 5041 p1e ckcuctwae useo8f otdwcazrher wflxc y z 4 4a lcl2 crwidgxhvtvsd cr peus fe srmv0e ndz b i wmmaid dem

nw2ictahy miln zf4i in tib1eo ig kehoqmyextbrry6 8 worksheet by kuta software llc solve for x 17 54 55 x 74 3 18 70 60 8x 2  
6 19 64 27 97 x 6 20 80 60 x 51 11 find the

*name kuta software infinite geometry solving right triangles* - Feb 10 2023

web kuta software infinite geometry solving right triangles date period find the missing side round to the ear st t n h 720 240  
12 14 0 16 63 0 8 0 730 1 8 12 deg ee cos 14 16 150 29 550 il 29 19 13 29 330 sin 15 470 28 10 12 14 0 4915 16 6 00 680 22  
35 34 590 5q

**special right triangles pdf kuta software course hero** - Jan 29 2022

web h worksheet by kuta software llc kuta software infinite geometry name period date special right triangles find the  
missing side lengths leave your answers as radicals in simplest form

**8 multi step special right triangles kuta software** - Nov 07 2022

web 1 k2s0x1 b1f uku0t lax vs1ohfpt nwsaarheb blwl hcq f z nailtl2 er 2irgwhlt esj 3rte us3ecruvveud r 2 u rmgajd 1ew iw zi  
bt7hi ji jnwflionzi ft xed qg3edoqmvettvr vyj e worksheet by kuta software llc kuta software infinite geometry name multi step  
special right triangles date period find the missing side

**free printable math worksheets for geometry kuta software** - Aug 04 2022

web solving right triangles multi step trig problems rhombuses and kites with right triangles trigonometry and area