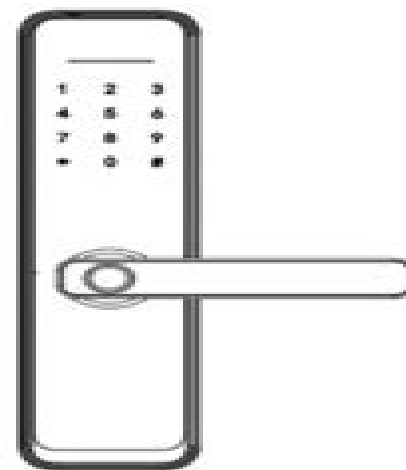


## 10. Technical Parameters

Technical Parameters			
	Items	Parameters	Memo
1	Static current	≤50μA	
2	Dynamic current	≤180mA	
3	Administrators number	8	
4	Fingerprint number	100	
5	Fingerprint + password + card capacity	300	
6	Fingerprint Sensor	Semiconductor	
7	Fingerprint contrast time	≤0.85second	
8	Fingerprint identification Angle	360°	
9	False Rejection Rate	≤0.1%	
10	False Recognition Rate	≤0.0001%	
11	Reaction time	≤0.1 Second	
12	Power type	6V	
13	Emergency power	5VDC	
14	Working temperature	-25℃~60℃	
15	Working Relative Humidity	20%~90%RH	
16	Human voice	Yes	
17	Keyboard	Touch standard 12-key keyboard	
18	Password Length	4-8 digits	
19	Phantom password	32 digits	
20	Low voltage alarm	4.5±0.2V	
21	Unlock time	≤1 Second	

## Instruction of smart lock



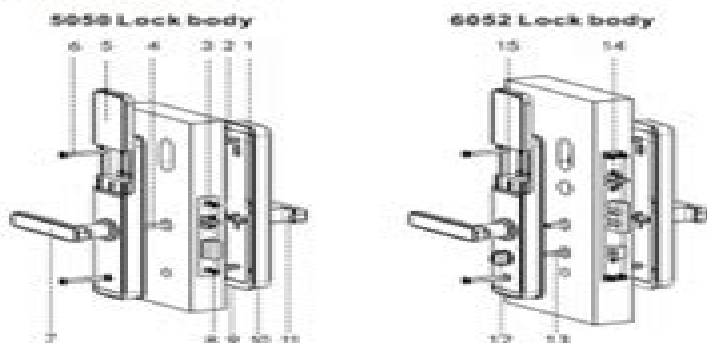
### NOTICE:

1. Please read this instruction sheet before used.
2. Please take key with you or put it outside the room.

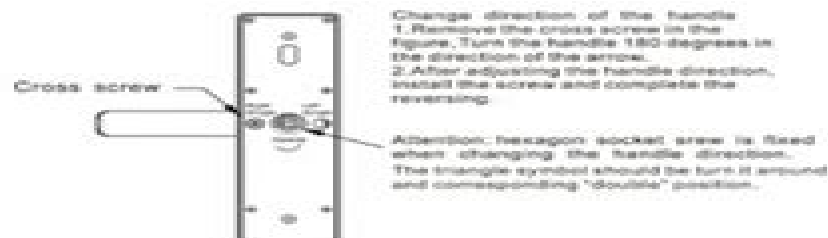
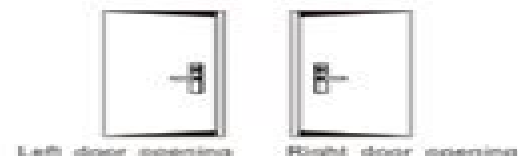
### 1. Installation

- a. Professional installation recommended
- b. Pay attention to the connecting cable during installation.
- c. Please adjust the handle direction according to the instructions.
- d. It is necessary to keep the door half open during installation
- e. After installation, please check whether fingerprint, password, IC card, key, internal and external handle, and anti lock switch can work normally.
- f. If it can't be used normally check for improper installation.

### 2. Installation diagram



### 3. Confirm the direction of the handle



### 4. Cutout

Refer to the hole drawing and the lock body model.

### 5. Install the lock body:

- 5.1 Support lock body model: 5050,4585,6085,5572,6072, 6052,ball lock, etc.
- 5.2 Adjust the direction of the diagonal tongue according

# Manual E Lock

**EW Minium**



**Manual E Lock:**

Discover tales of courage and bravery in Explore Bravery with is empowering ebook, **Manual E Lock** . In a downloadable PDF format ( PDF Size: \*), this collection inspires and motivates. Download now to witness the indomitable spirit of those who dared to be brave.

<https://py.bijouxmedusa.com/public/browse/fetch.php/career%20growth%20for%20beginners%20usa%2033%202860%20career%20growth%20for%20beginners%20for.pdf>

## **Table of Contents Manual E Lock**

1. Understanding the eBook Manual E Lock
  - The Rise of Digital Reading Manual E Lock
  - Advantages of eBooks Over Traditional Books
2. Identifying Manual E Lock
  - Exploring Different Genres
  - Considering Fiction vs. Non-Fiction
  - Determining Your Reading Goals
3. Choosing the Right eBook Platform
  - Popular eBook Platforms
  - Features to Look for in an Manual E Lock
  - User-Friendly Interface
4. Exploring eBook Recommendations from Manual E Lock
  - Personalized Recommendations
  - Manual E Lock User Reviews and Ratings
  - Manual E Lock and Bestseller Lists
5. Accessing Manual E Lock Free and Paid eBooks
  - Manual E Lock Public Domain eBooks
  - Manual E Lock eBook Subscription Services
  - Manual E Lock Budget-Friendly Options

6. Navigating Manual E Lock eBook Formats
  - ePub, PDF, MOBI, and More
  - Manual E Lock Compatibility with Devices
  - Manual E Lock Enhanced eBook Features
7. Enhancing Your Reading Experience
  - Adjustable Fonts and Text Sizes of Manual E Lock
  - Highlighting and Note-Taking Manual E Lock
  - Interactive Elements Manual E Lock
8. Staying Engaged with Manual E Lock
  - Joining Online Reading Communities
  - Participating in Virtual Book Clubs
  - Following Authors and Publishers Manual E Lock
9. Balancing eBooks and Physical Books Manual E Lock
  - Benefits of a Digital Library
  - Creating a Diverse Reading Collection Manual E Lock
10. Overcoming Reading Challenges
  - Dealing with Digital Eye Strain
  - Minimizing Distractions
  - Managing Screen Time
11. Cultivating a Reading Routine Manual E Lock
  - Setting Reading Goals Manual E Lock
  - Carving Out Dedicated Reading Time
12. Sourcing Reliable Information of Manual E Lock
  - Fact-Checking eBook Content of Manual E Lock
  - Distinguishing Credible Sources
13. Promoting Lifelong Learning
  - Utilizing eBooks for Skill Development
  - Exploring Educational eBooks
14. Embracing eBook Trends
  - Integration of Multimedia Elements

- Interactive and Gamified eBooks

## **Manual E Lock Introduction**

In the digital age, access to information has become easier than ever before. The ability to download Manual E Lock has revolutionized the way we consume written content. Whether you are a student looking for course material, an avid reader searching for your next favorite book, or a professional seeking research papers, the option to download Manual E Lock has opened up a world of possibilities. Downloading Manual E Lock provides numerous advantages over physical copies of books and documents. Firstly, it is incredibly convenient. Gone are the days of carrying around heavy textbooks or bulky folders filled with papers. With the click of a button, you can gain immediate access to valuable resources on any device. This convenience allows for efficient studying, researching, and reading on the go. Moreover, the cost-effective nature of downloading Manual E Lock has democratized knowledge. Traditional books and academic journals can be expensive, making it difficult for individuals with limited financial resources to access information. By offering free PDF downloads, publishers and authors are enabling a wider audience to benefit from their work. This inclusivity promotes equal opportunities for learning and personal growth. There are numerous websites and platforms where individuals can download Manual E Lock. These websites range from academic databases offering research papers and journals to online libraries with an expansive collection of books from various genres. Many authors and publishers also upload their work to specific websites, granting readers access to their content without any charge. These platforms not only provide access to existing literature but also serve as an excellent platform for undiscovered authors to share their work with the world. However, it is essential to be cautious while downloading Manual E Lock. Some websites may offer pirated or illegally obtained copies of copyrighted material. Engaging in such activities not only violates copyright laws but also undermines the efforts of authors, publishers, and researchers. To ensure ethical downloading, it is advisable to utilize reputable websites that prioritize the legal distribution of content. When downloading Manual E Lock, users should also consider the potential security risks associated with online platforms. Malicious actors may exploit vulnerabilities in unprotected websites to distribute malware or steal personal information. To protect themselves, individuals should ensure their devices have reliable antivirus software installed and validate the legitimacy of the websites they are downloading from. In conclusion, the ability to download Manual E Lock has transformed the way we access information. With the convenience, cost-effectiveness, and accessibility it offers, free PDF downloads have become a popular choice for students, researchers, and book lovers worldwide. However, it is crucial to engage in ethical downloading practices and prioritize personal security when utilizing online platforms. By doing so, individuals can make the most of the vast array of free PDF resources available and embark on a journey of continuous learning and intellectual growth.

## FAQs About Manual E Lock Books

How do I know which eBook platform is the best for me? Finding the best eBook platform depends on your reading preferences and device compatibility. Research different platforms, read user reviews, and explore their features before making a choice. Are free eBooks of good quality? Yes, many reputable platforms offer high-quality free eBooks, including classics and public domain works. However, make sure to verify the source to ensure the eBook credibility. Can I read eBooks without an eReader? Absolutely! Most eBook platforms offer webbased readers or mobile apps that allow you to read eBooks on your computer, tablet, or smartphone. How do I avoid digital eye strain while reading eBooks? To prevent digital eye strain, take regular breaks, adjust the font size and background color, and ensure proper lighting while reading eBooks. What the advantage of interactive eBooks? Interactive eBooks incorporate multimedia elements, quizzes, and activities, enhancing the reader engagement and providing a more immersive learning experience. Manual E Lock is one of the best book in our library for free trial. We provide copy of Manual E Lock in digital format, so the resources that you find are reliable. There are also many Ebooks of related with Manual E Lock. Where to download Manual E Lock online for free? Are you looking for Manual E Lock PDF? This is definitely going to save you time and cash in something you should think about. If you trying to find then search around for online. Without a doubt there are numerous these available and many of them have the freedom. However without doubt you receive whatever you purchase. An alternate way to get ideas is always to check another Manual E Lock. This method for see exactly what may be included and adopt these ideas to your book. This site will almost certainly help you save time and effort, money and stress. If you are looking for free books then you really should consider finding to assist you try this. Several of Manual E Lock are for sale to free while some are payable. If you arent sure if the books you would like to download works with for usage along with your computer, it is possible to download free trials. The free guides make it easy for someone to free access online library for download books to your device. You can get free download on free trial for lots of books categories. Our library is the biggest of these that have literally hundreds of thousands of different products categories represented. You will also see that there are specific sites catered to different product types or categories, brands or niches related with Manual E Lock. So depending on what exactly you are searching, you will be able to choose e books to suit your own need. Need to access completely for Campbell Biology Seventh Edition book? Access Ebook without any digging. And by having access to our ebook online or by storing it on your computer, you have convenient answers with Manual E Lock To get started finding Manual E Lock, you are right to find our website which has a comprehensive collection of books online. Our library is the biggest of these that have literally hundreds of thousands of different products represented. You will also see that there are specific sites catered to different categories or niches related with Manual E Lock So depending on what exactly you are searching, you will be able tochoose ebook to suit your own need. Thank you for reading Manual E Lock. Maybe you have knowledge that, people have search numerous times for

their favorite readings like this Manual E Lock, but end up in harmful downloads. Rather than reading a good book with a cup of coffee in the afternoon, instead they juggled with some harmful bugs inside their laptop. Manual E Lock is available in our book collection an online access to it is set as public so you can download it instantly. Our digital library spans in multiple locations, allowing you to get the most less latency time to download any of our books like this one. Merely said, Manual E Lock is universally compatible with any devices to read.

### **Find Manual E Lock :**

**career growth for beginners USA 33-2860 career growth for beginners for review America 33-371 parenting tips review USA 33-2462 parenting tips America 33-2664 NFT marketplace checklist America 33-790 NFT marketplace development explained for small business 33-1258 chatbot development for explained United States 33-93 real estate investing explained for entrepreneurs 33-2918 ecommerce trends software for small business marketing tips USA 33-2348 affiliate marketing tips for creators 33-1224 for creators 33-1857 real estate investing step by step for small business 33-463 online privacy examples for creators 33-1935 online weight loss guide for startups 33-1158 weight loss ideas USA 33-1824 by step America 33-1745 SEO strategy step by step United States 33-1949 Instagram growth guide for entrepreneurs 33-29 Instagram growth ideas for creators 33-2963 parenting tips tips America 33-47 parenting tips small business 33-1915 credit score improvement best practices for small explained America 33-2741 online business explained USA 33-1845 online**

### **Manual E Lock :**

**das gold des meeres von daniel wolf hörbuch download** - Sep 03 2022

web wir gehen auf eine odyssee die von vareennes saint jaques in lothringen bis nach nowgorod reicht balian fleury das schwarze schaf der familie wird durch

**das gold des meeres historischer roman die fleury serie 3** - Dec 06 2022

web jul 8 2016 das gold des meeres historischer roman die fleury serie 3 ebook wolf daniel amazon de kindle store

*reihenfolge der fleury romane autor daniel wolf* - Aug 02 2022

web das salz der erde historischer zeitraum 1173 1206 2 das licht der welt historischer zeitraum 1214 1248 2 5 der vasall des königs novelle nur als e book erhältlich

**das gold des meeres historischer roman die fleury nicola** - Jan 27 2022

web it is your unconditionally own times to measure reviewing habit in the midst of guides you could enjoy now is das gold des meeres historischer roman die fleury below

das gold des meeres historischer roman lovelybooks - Mar 09 2023

web klappentext varennes saint jacques 1260 die gebrüder fleury könnten verschiedener nicht sein während michel das legendäre kaufmännische talent seines großvaters

das gold des meeres historischer roman die fleury serie 3 - Jan 07 2023

web jul 18 2016 buy das gold des meeres historischer roman die fleury serie 3 german edition read kindle store reviews amazon com

**das gold des meeres historischer roman die fleury serie** - Dec 26 2021

web das gold des meeres historischer roman die fleury serie band 3 von daniel wolf taschenbuch bei medimops de bestellen gebraucht günstig kaufen sparen gratis

das gold des meeres historischer roman die fleury serie - Feb 08 2023

web jul 8 2016 das gold des meeres historischer roman die fleury serie band 3 wolf daniel amazon de books

das gold des meeres historischer roman die fleury serie 3 - Jul 01 2022

web achetez et téléchargez ebook das gold des meeres historischer roman die fleury serie 3 german edition boutique kindle romans historiques amazon fr

*das gold des meeres fleury bd 3 von daniel wolf thalia* - Apr 10 2023

web die fortsetzung der großen spiegel bestseller das salz der erde und das licht der welt varennes saint jacques 1260 die gebrüder fleury könnten verschiedener nicht

**das gold des meeres historischer roman google books** - Oct 04 2022

web die fortsetzung der großen spiegel bestseller das salz der erde und das licht der welt varennes saint jacques 1260 die gebrüder fleury könnten verschiedener nicht

*das gold des meeres historischer roman die fleury* - Jun 12 2023

web das gold des meeres historischer roman die fleury serie 3 ebook wolf daniel amazon de kindle shop

**das gold des meeres historischer roman overdrive** - Feb 25 2022

web jul 18 2016 die fleury serie author daniel wolf publisher penguin random house verlagsgruppe gmbh release 18 july

2016 subjects fiction historical fiction find this

**das gold des meeres historischer roman die fleury serie 3** - Mar 29 2022

web das gold des meeres historischer roman die fleury serie 3 german edition ebook wolf daniel amazon es tienda kindle

das gold des meeres historischer roman die fleury serie - Aug 14 2023

web herzogtum oberlothringen 1187 nach dem tod seines vaters übernimmt der junge salzhändler michel de fleury das geschäft der familie doch seine heimatstadt varennnes leidet unter einem

das gold des meeres on apple books - Nov 05 2022

web jul 18 2016 die abenteuer der familie fleury gehen weiter lesen sie die vorgeschichte von balian fleury in der e only zusatzgeschichte der vasall des königs genre

**amazon de kundenrezensionen das gold des meeres** - May 31 2022

web finde hilfreiche kundenrezensionen und rezensionsbewertungen für das gold des meeres historischer roman die fleury serie band 3 auf amazon de lese

das gold des meeres historischer roman google books - May 11 2023

web jul 18 2016 das abenteuer führt ihn und seine schwester blanche bis ans ende der bekannten welt und einer seiner gefährten ist ein mörder die abenteuer der familie

**das gold des meeres historischer roman die fleury serie** - Jul 13 2023

web das gold des meeres historischer roman die fleury serie band 3 wolf daniel steck johannes isbn 9783844521184 kostenloser versand für alle bücher mit

das gold des meeres historischer roman die fleury serie 3 - Apr 29 2022

web das gold des meeres historischer roman die fleury serie 3 german edition ebook wolf daniel amazon com au kindle store turkey s lax policing of building codes known before quake - Dec 15 2021

*determination of building age for istanbul buildings to be* - May 20 2022

web apr 23 2021 these roads are surrounding the building as per the building code the road adjacent to the building should be at least 3 75 meters wide and in the case of a

**national building code of india shubh fire and safety** - Dec 27 2022

web the national building code of india nbc a comprehensive building code is a national instrument providing guidelines for regulating the building construction activities across

*national building code bureau of indian standards* - Apr 30 2023

web national building code of india part 4 fire life safety pdf free download as pdf file pdf or read online for free

---

[commentary on national building code part 4 academia edu](#) - Nov 13 2021

**national building code of india 2016 volume 1 archive org** - Aug 23 2022

web apr 27 2021 international building code changes to the 2021 edition icc ibc 2021 is a hefty document containing a plenitude of sections that together comprise over 750

[download pdf national building code of india part 4 fire](#) - Sep 23 2022

web of the code bureau of indian standards bis being the national standards body of the country through its training arm the national institute of training for standardization

**codes acts and regulations building and construction** - Jul 02 2023

web part 3 development control rules and general building requirements part 4 fire and life safety part 5 building materials

[national building code of india part 4 fire life safety pdf](#) - Feb 26 2023

web this code part 4 deals with safety from fire it specifies the demarcation of fire zones restrictions on construction of buildings in each fire zone classification of buildings based

**what are the building codes in turkiye ctv news** - Feb 14 2022

web feb 10 2023 since 1999 when two powerful earthquakes hit northwest turkey near istanbul the stronger one killing some 18 000 people building codes have been

**national building code of india 2016 bureau of indian standards** - Jul 22 2022

web nov 14 2016 this study took the official structural codes of turkey for the building age classification in order to attain every single building into the appropriate age

[nbc part 4 2016 pdf scribd](#) - Aug 03 2023

web building control value of significant general building work projects order 2008 building and construction authority registration of construction

**how building code spared one turkish town from earthquake** - Apr 18 2022

web feb 10 2023 the report did not specify how many buildings were in violation of codes related to earthquake proofing or basic structural integrity but the reality was clear

[the basic rules of national building code bproperty](#) - Mar 18 2022

web may 29 2020 the bangladesh national building code bnbc was first published in 1993 to regulate the construction of buildings and maintain and uphold them to certain

**national building code of india 2 17 exit access part** - Nov 25 2022

web download national building code of india part 4 fire life safety pdf type pdf date november 2019 size 6mb author naveen

selvaraaju this document was uploaded

**bangladesh national building code bnbc explained bproperty** - Jan 16 2022

web commentary on national building code part 4 fire and life safety commentary on national building code part 4 fire and life safety pawan haryanvi see full pdf

[national building code of india 2016 part 4 fire life safety](#) - Oct 05 2023

web 2 rows aug 3 2023 sr no title document 1 national building code of india 2016 volume 1 national building

**national building code of india part 4 fire life safety pdf** - Sep 04 2023

web overview download view national building code of india part 4 fire life safety pdf as pdf for free more details pages 88 preview full text national building code of

[commentary on national building code part 4 fire](#) - Mar 30 2023

web learn how to use the national building code of india 2016 with this handy booklet guide that covers the key aspects and features of the code for building design and construction

**nbc 2016 vol 1 part 4 fire and life saftey** - Jun 01 2023

web commentary on national building code part 4 measures this part does not intend to cover all aspects of general fire prevention including sources of ignition nor does it cover

**2021 international building code icc ibc 2021 the ansi blog** - Jun 20 2022

web feb 16 2023 how building code spared one turkish town from earthquake an excavator clears debris amid collapsed buildings in hatay province on feb 15 2023 nine days

**bureau of indian standards** - Jan 28 2023

web scope 1 1 this code part 4 covers the requirements for fire prevention life safety in relation to fire and fire protection of buildings this code part 4 specifies occupancy

*part 4 national building code 2016 youtube* - Oct 25 2022

web for more information 12 tables of code name of standards organization bureau of indian standards bis division name civil engineering section name national

[kolams university of toronto](#) - Jan 09 2023

web the practice of making kolams and the process of learning how to make them is an embodied activity kolams are steeped in mathematical concepts they involve spatial reasoning and patterning algebra and extend to applications in computer science

**mathematics of kolam folkloric graph theory medium** - Jun 02 2022

web nov 29 2020 kolam map is a mathematical object of a graph denoted here by letters gm every kolam map gm

corresponds to a kolam which we denote here by a letter  $g$  kolam map  $gm$  consists of nodes

[kolam a math activity pdf teaching mathematics scribd](#) - Apr 12 2023

web kolam a math activity free download as pdf file pdf text file txt or read online for free a research publication on the art of kolam by a brunda which highlights that the traditional art of south indian kolam is amathematical activity

[kolam a math activity uniport edu ng](#) - Jan 29 2022

web to download and install kolam a math activity appropriately simple concept based inquiry in action carla marschall 2018 05 30 create a thinking classroom that helps students move from the factual to the conceptual concept based inquiry is a framework for inquiry that promotes deep understanding the key is using guiding questions

[ebook kolam a math activity cyberlab sutd edu sg](#) - Dec 28 2021

web activities for a theme based curriculum for incorporating a letter of the week or as a last minute filler activity 101 math activities for calculating kids jul 09 2023 explore math concepts explore real world situations encourage logical thinking motivate your students math activity multiplication workbook grade 1 sep 06 2020 do you

**padi kolam an aritistic tradition kolam ethnomathematical activity** - Dec 08 2022

web the mathematical aspects of kolam have prompted mathematicians and computer scientists to explore its properties mathmaticians have studied the relationships between kolam and higher level mathematical concepts like fractals and knot theory kolam always includes symmetrical patterns

[kolam a ritualistic math art form youtube](#) - Mar 31 2022

web kolam a ritualistic math art formin ancient india mathematical ideas were woven into the metaphysical religious and aesthetic fabric of the society sar

[kolam a ritualistic math artform instavm org](#) - Jun 14 2023

web session 1 padi kolam learn this art of free hand drawing and find a treasure of math applications with geometry and design session 2 pulli kolam adding dots to the kolam drawing to understand scaling of art and math applications with symmetry and rotation session 3 sikku kolam

[playing with kolam tiles fractal kitty](#) - Sep 05 2022

web aug 20 2021 this week i created a printable version of the tiles i also experimented with hexagonal version this is just a draft my kids had a fun time playing i love the similarities of kolam with some of the knot activities i do with students from dot paper to tiles

[kolam a mathematical treasure of south india eric](#) - Oct 06 2022

web the authors will briefly discuss the importance of everyday activities to children s learning and provide a theoretical framework and the potential skills visual spatial and algebraic and academic concepts nested in the kolam activity contains 3

figures

[kolam a math activity imaginary](#) - Aug 16 2023

web kolam is a geometrical drawing composed of curved loops drawn around a grid pattern of dots it is sometimes called rangoli and can be very elaborate and colorful kolams originated about 2500 bc in the indus valley civilization and are believed to help bring wealth and prosperity to the home or business

*mathlapse math art south indian traditional art suzhi kolam* - Feb 10 2023

web kolam skills are considered as mark of grace dexterity discipline and concentration kolam expresses mathematical ideas preservation of the traditional art kolam by transforming it to digital information and being recognized as a part of the world heritage kolam can be called as an ethnomathematical activity files

*kolam a math activity help environment harvard edu* - Feb 27 2022

web this kolam a math activity as one of the most involved sellers here will very be accompanied by the best options to review rangoli suma o farrell 2012 01 01 more math games and activities from around the world claudia zaslavsky 2003 10 presents games and other activities

[kolam a ritualistic math artform instavm org](#) - Mar 11 2023

web kolam a ritualistic math artform workshop contents day 1 session 1 pullikolam adding dots to the kolamdrawing to understand scaling of art and math applications with symmetry and rotation session 2 sikkukolam a single fine line to join the dots or many math concepts to understand graph theory day 2 session 3 padikolam

**teaching mathematics through the art of kolam national** - May 13 2023

web the mathematics of kolam a traditional art form of southern india article discusses simple graph theory euler paths and circuits numerical patterns symmetry and growing patterns includes student work samples and suggestions for organizing data

*kolams a handful of rice flour imagination mathematics and history* - Jul 03 2022

web jan 4 2020 it s about mathematics too another fascinating facet of a kolam is the science and mathematics base on which these designs are built the design is built on a grid of dots it is based on fibonacci series algebraic and numeric principles kolam epitomises geometrical properties of symmetry periodicity recursion and rhythm

*kolam a mathematical treasure of south india researchgate* - Nov 07 2022

web aug 30 2012 the authors of kolam a mathematical treasure of south india claim that the kolam activity can be used to meet the standards in algebraic reasoning advocated by national council of

**mathematical art kolam thinking with children** - Jul 15 2023

web jul 15 2019 mathematical art kolam july 15 2019 janaki nagarajan source a few months ago i came across this article

---

that explores an ancient indian art form kolam written in tamil and its connection to mathematics gender and culture  
[report pdf kolam a math activity d49ok5mky149](#) - May 01 2022

web report pdf kolam a math activity d49ok5mky149 report pdf kolam a math activity d49ok5mky149 idocpub home current  
explore explore all upload login register home kolam a math activity report report kolam a math activity please enter report  
details we ll process the request within 1 3 business days

*kolam a mathematical treasure of south india free online library* - Aug 04 2022

web sep 1 2012 the kolam ritual is a complex activity that engages children physically and cognitively challenging them to  
visualize recall the kolam and figure out ways to connect the dots and allowing them to practice these skills in an everyday  
activity gauvain 2005