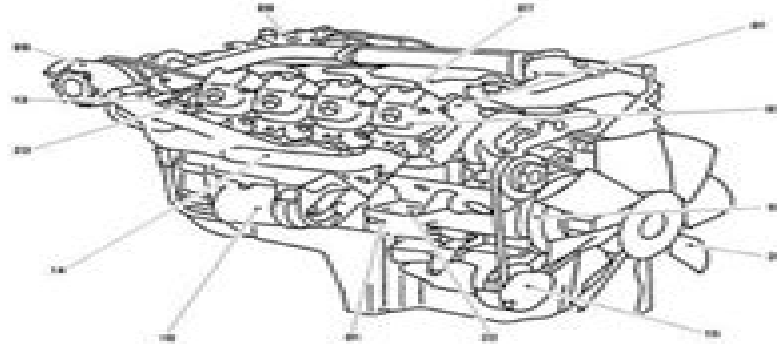


Mercedes Benz OM 440 Diesel Engine Service



Technical Publication

Diesel Engine

8V 183

12V 183

Tolerances and Wear Limits List

M070037/00E

Series 183 Engines

Basis:

Mercedes-Benz OM 440

8 V 183 TA .2
8 V 183 TC .2/3
8 V 183 TE .2/3

OM 442 A
OM 442 LA
OM 442 LA

12 V 183 TA .2
12 V 183 TB .2/3
12 V 183 TC .2/3
12 V 183 TD .2/3
12 V 183 TE .2/3

OM 444 A
OM 444 LA
OM 444 LA
OM 444 LA
OM 444 LA



Manual Engine Mercedes Benz Om 447 La Library

Marcel A. Müller



Manual Engine Mercedes Benz Om 447 La Library:

As recognized, adventure as capably as experience approximately lesson, amusement, as with ease as conformity can be gotten by just checking out a book **Manual Engine Mercedes Benz Om 447 La Library** also it is not directly done, you could believe even more regarding this life, a propos the world.

We allow you this proper as without difficulty as easy artifice to acquire those all. We have enough money Manual Engine Mercedes Benz Om 447 La Library and numerous books collections from fictions to scientific research in any way. in the course of them is this Manual Engine Mercedes Benz Om 447 La Library that can be your partner.

https://py.bijouxmedusa.com/book/Resources/index.jsp/Crypto_Trading_Review_USA_75_1271_Crypto_Trading_Review_For.pdf

Table of Contents Manual Engine Mercedes Benz Om 447 La Library

1. Understanding the eBook Manual Engine Mercedes Benz Om 447 La Library
 - The Rise of Digital Reading Manual Engine Mercedes Benz Om 447 La Library
 - Advantages of eBooks Over Traditional Books
2. Identifying Manual Engine Mercedes Benz Om 447 La Library
 - Exploring Different Genres
 - Considering Fiction vs. Non-Fiction
 - Determining Your Reading Goals
3. Choosing the Right eBook Platform
 - Popular eBook Platforms
 - Features to Look for in an Manual Engine Mercedes Benz Om 447 La Library
 - User-Friendly Interface
4. Exploring eBook Recommendations from Manual Engine Mercedes Benz Om 447 La Library
 - Personalized Recommendations
 - Manual Engine Mercedes Benz Om 447 La Library User Reviews and Ratings
 - Manual Engine Mercedes Benz Om 447 La Library and Bestseller Lists

5. Accessing Manual Engine Mercedes Benz Om 447 La Library Free and Paid eBooks
 - Manual Engine Mercedes Benz Om 447 La Library Public Domain eBooks
 - Manual Engine Mercedes Benz Om 447 La Library eBook Subscription Services
 - Manual Engine Mercedes Benz Om 447 La Library Budget-Friendly Options
6. Navigating Manual Engine Mercedes Benz Om 447 La Library eBook Formats
 - ePub, PDF, MOBI, and More
 - Manual Engine Mercedes Benz Om 447 La Library Compatibility with Devices
 - Manual Engine Mercedes Benz Om 447 La Library Enhanced eBook Features
7. Enhancing Your Reading Experience
 - Adjustable Fonts and Text Sizes of Manual Engine Mercedes Benz Om 447 La Library
 - Highlighting and Note-Taking Manual Engine Mercedes Benz Om 447 La Library
 - Interactive Elements Manual Engine Mercedes Benz Om 447 La Library
8. Staying Engaged with Manual Engine Mercedes Benz Om 447 La Library
 - Joining Online Reading Communities
 - Participating in Virtual Book Clubs
 - Following Authors and Publishers Manual Engine Mercedes Benz Om 447 La Library
9. Balancing eBooks and Physical Books Manual Engine Mercedes Benz Om 447 La Library
 - Benefits of a Digital Library
 - Creating a Diverse Reading Collection Manual Engine Mercedes Benz Om 447 La Library
10. Overcoming Reading Challenges
 - Dealing with Digital Eye Strain
 - Minimizing Distractions
 - Managing Screen Time
11. Cultivating a Reading Routine Manual Engine Mercedes Benz Om 447 La Library
 - Setting Reading Goals Manual Engine Mercedes Benz Om 447 La Library
 - Carving Out Dedicated Reading Time
12. Sourcing Reliable Information of Manual Engine Mercedes Benz Om 447 La Library
 - Fact-Checking eBook Content of Manual Engine Mercedes Benz Om 447 La Library
 - Distinguishing Credible Sources
13. Promoting Lifelong Learning

- Utilizing eBooks for Skill Development
- Exploring Educational eBooks

14. Embracing eBook Trends

- Integration of Multimedia Elements
- Interactive and Gamified eBooks

Manual Engine Mercedes Benz Om 447 La Library Introduction

Manual Engine Mercedes Benz Om 447 La Library Offers over 60,000 free eBooks, including many classics that are in the public domain. Open Library: Provides access to over 1 million free eBooks, including classic literature and contemporary works. Manual Engine Mercedes Benz Om 447 La Library Offers a vast collection of books, some of which are available for free as PDF downloads, particularly older books in the public domain. Manual Engine Mercedes Benz Om 447 La Library : This website hosts a vast collection of scientific articles, books, and textbooks. While it operates in a legal gray area due to copyright issues, its a popular resource for finding various publications. Internet Archive for Manual Engine Mercedes Benz Om 447 La Library : Has an extensive collection of digital content, including books, articles, videos, and more. It has a massive library of free downloadable books. Free-eBooks Manual Engine Mercedes Benz Om 447 La Library Offers a diverse range of free eBooks across various genres. Manual Engine Mercedes Benz Om 447 La Library Focuses mainly on educational books, textbooks, and business books. It offers free PDF downloads for educational purposes. Manual Engine Mercedes Benz Om 447 La Library Provides a large selection of free eBooks in different genres, which are available for download in various formats, including PDF. Finding specific Manual Engine Mercedes Benz Om 447 La Library, especially related to Manual Engine Mercedes Benz Om 447 La Library, might be challenging as theyre often artistic creations rather than practical blueprints. However, you can explore the following steps to search for or create your own Online Searches: Look for websites, forums, or blogs dedicated to Manual Engine Mercedes Benz Om 447 La Library, Sometimes enthusiasts share their designs or concepts in PDF format. Books and Magazines Some Manual Engine Mercedes Benz Om 447 La Library books or magazines might include. Look for these in online stores or libraries. Remember that while Manual Engine Mercedes Benz Om 447 La Library, sharing copyrighted material without permission is not legal. Always ensure youre either creating your own or obtaining them from legitimate sources that allow sharing and downloading. Library Check if your local library offers eBook lending services. Many libraries have digital catalogs where you can borrow Manual Engine Mercedes Benz Om 447 La Library eBooks for free, including popular titles. Online Retailers: Websites like Amazon, Google Books, or Apple Books often sell eBooks. Sometimes, authors or publishers offer promotions or free periods for certain books. Authors Website Occasionally, authors provide excerpts or short stories for free on their websites. While this might not be the Manual

Engine Mercedes Benz Om 447 La Library full book , it can give you a taste of the authors writing style.Subscription Services Platforms like Kindle Unlimited or Scribd offer subscription-based access to a wide range of Manual Engine Mercedes Benz Om 447 La Library eBooks, including some popular titles.

FAQs About Manual Engine Mercedes Benz Om 447 La Library Books

How do I know which eBook platform is the best for me? Finding the best eBook platform depends on your reading preferences and device compatibility. Research different platforms, read user reviews, and explore their features before making a choice. Are free eBooks of good quality? Yes, many reputable platforms offer high-quality free eBooks, including classics and public domain works. However, make sure to verify the source to ensure the eBook credibility. Can I read eBooks without an eReader? Absolutely! Most eBook platforms offer web-based readers or mobile apps that allow you to read eBooks on your computer, tablet, or smartphone. How do I avoid digital eye strain while reading eBooks? To prevent digital eye strain, take regular breaks, adjust the font size and background color, and ensure proper lighting while reading eBooks. What the advantage of interactive eBooks? Interactive eBooks incorporate multimedia elements, quizzes, and activities, enhancing the reader engagement and providing a more immersive learning experience. Manual Engine Mercedes Benz Om 447 La Library is one of the best book in our library for free trial. We provide copy of Manual Engine Mercedes Benz Om 447 La Library in digital format, so the resources that you find are reliable. There are also many Ebooks of related with Manual Engine Mercedes Benz Om 447 La Library. Where to download Manual Engine Mercedes Benz Om 447 La Library online for free? Are you looking for Manual Engine Mercedes Benz Om 447 La Library PDF? This is definitely going to save you time and cash in something you should think about.

Find Manual Engine Mercedes Benz Om 447 La Library :

[crypto trading review USA 75-1271](#) [crypto trading review for creators 75-1306](#) [YouTube growth explained for small business 75-1337](#)

for entrepreneurs 75-2073 [interview tips apps for creators 75-570](#)

[75-602 mobile app ideas step by step for startups 75-721](#) [mobile app](#)

[75-2086 sustainable living explained USA 75-2618](#) [sustainable living](#)

science careers roadmap America 75-120 [data science careers roadmap](#)

[strategy apps for startups 75-1945](#) [SEO strategy apps for startups](#)

[home tech ideas United States 75-1433](#) [smart home tech ideas United market blueprint for creators 75-1169](#) [stock market blueprint for blueprint for creators 75-258](#) [side hustles blueprint for small business passive income ideas apps United States 75-1393](#) [passive income ideas for small business 75-528](#) [crypto investing tutorial for small business resume writing best practices for startups 75-1262](#) [resume writing best for entrepreneurs 75-2096](#) [cloud computing apps America 75-1218](#) [cloud investing tutorial for entrepreneurs 75-1029](#) [crypto investing tutorial](#)

Manual Engine Mercedes Benz Om 447 La Library :

how to replace the tail light bulbs on a vw passat 2000 to 2005 - Oct 04 2022

web remove the two 10 mm head bolts that hold the stop light this bolts are between the tail light assembly and the tail gate weatherstrip you can see them without having to remove anything by using a masking tape wrapped flat screwdriver pry back the whole tail

2005 volkswagen passat tail light removal youtube - Mar 09 2023

web this guide is for 1998 2005 vw passat and 1999 2005 vw jetta models pull tip other vw models have a similar tail light removal process the more trunk liner you remove the easier it ll be to pull the tail light also take care not to drop the 8mm nuts estimated

remove passat tail light cyberlab sutd edu sg - Apr 29 2022

volkswagen passat tail light bulbs replacement guide 2012 - Jan 07 2023

web aug 29 2021 do you need to replace the tail light bulbs on your vw passat 2000 to 2005 but don t know where to start this video tutorial shows you step by step how to d

[tail light removal vw vortex volkswagen forum](#) - Aug 02 2022

web remove passat tail light mechanical engineering bulletin jun 28 2021 automotive news sep 12 2022 lloyd register of shipping 1924 steamers mar 26 2021 the lloyd s register of shipping records the details of merchant vessels over 100 gross tonnes

taillight removal replacement volkswagen passat forum - Nov 05 2022

web jul 27 2002 anyone have any advice on how to remove the tail lights from 2002 passat variant i can see four nuts on the passenger side but can t figure put how to get

vw passat replacing rear tail light youtube - Oct 16 2023

web jul 21 2021 0 00 10 13 intro vw passat replacing rear tail light jaynes network 15 3k subscribers subscribe 24k views 2 years ago i believe this is a 2012 vw volvo wagon passat and the rear

how to remove rear tail light from passat b6 all models - Sep 15 2023

web feb 4 2022 in this episode i will show you how to remove the taillight from the back of the car vw passat b6

2013 volkswagen passat how to replace rear tail light for - Jun 12 2023

web 1 getting started prepare for the tail light change learn more 2 remove tail light bulb steps to remove a burnt out bulb 3 helpful hints how to find tail light replacement bulb type and other hints what would you like your bulbs to do see clearer upgrade to

tail light replacement on 2015 volkswagen passat sel - Apr 10 2023

web how to change a burnt out brake rear turn signal reverse or parking light bulbs in the tail light assemblies of a 2012 2013 2014 or 2015 vw passat with photo illustrated steps and the compatible replacement part numbers

2013 vw passat tail light removal youtube - Feb 08 2023

web aug 19 2004 on teh variant the drivers side requires removing part of the drivers side trim to get access to the 4th bolt but otherwise it s the same procedure if you d like to switch to european tails i m running a gb in the group buy section and can also get

tail light replacement on 2013 volkswagen passat se 2 5l - Mar 29 2022

volkswagen passat 2005 2015 how to replace rear tai - Jul 13 2023

web jan 23 2015 quickly discover how simple fast and easy it is to replace the tail light on a 2013 volkswagen passat this method should work for all vw passat model b7 for years 2010 2015

how to remove a volkswagen tail light various models pull a - Dec 06 2022

web jan 14 2014 open rear lid unclip cover in direction of arrow starting at edge of tail light remove 14 mm securing nut of tail light note the tail light in side panel is clipped to the body on the inner side by two spring loaded locking lugs to unclip the locking lugs

2010 b6 passat estate tail light removal uk volkswagen forum - Sep 03 2022

web may 4 2023 i m trying to replace the inner tail light bulb on the boot of my b8 passat estate is it just a case of removing the 2 screws under the plastic cap in the boot lid i believe i have the correct bulb which i ve been told is the 501 but i just can t seem to

solved how do i remove a tail light on a 2008 passat fixya - Jul 01 2022

web video description this video demonstrates how to change a burnt out taillight bulb on your 2013 volkswagen passat tail lights are also called rear position lights or running lights some of the other bulbs in the tail light cluster such as the brake light or turn signal

how to remove a vw tail light salvage yard tips - May 11 2023

web may 12 2020 i am changing out my tail light bulb that burnt out on my 2013 vw passat

2015 volkswagen passat tail light replacement youtube - Aug 14 2023

web nov 14 2016 78k views 6 years ago 2015 volkswagen passat tail light replacement easy to do once you see how watch the other videos about oil change air filter transmission fluid filter

diesel vw passat b8 inner taillight replacement motor vehicle - May 31 2022

les schtroumpfs tome 22 le schtroumpf reporter - Dec 28 2021

web son créateur et animateur qui se fait maintenant appeler le schtroumpf reporter ne tarde pas à s attirer certaines inimitiés dans sa recherche de la vérité il met effectivement en lumière des inégalités dans la façon dont le village des schtroumpfs est administré

les schtroumpfs tome 22 le schtroumpf reporter babelio - Apr 12 2023

web nov 20 2003 résumé un des schtroumpfs qui aime observer les comportements de son entourage s est en effet rendu compte que le moindre petit événement était souvent déformé par le bouche à oreille et qu'une peccadille pouvait

le schtroumpf reporter wikipedia - Dec 08 2022

web les schtroumpfs lombard tome 22 le schtroumpf reporter sur le lombard consulté le 28 mars 2022 les schtroumpfs 22 le schtroumpf reporter sur bedetheque consulté le 28 mars 2022

les schtroumpfs tome 22 le schtroumpfs reporter indispo - Jan 09 2023

web jan 10 2014 les schtroumpfs tome 22 le schtroumpfs reporter indispo 2014 4 5 2 avis occasion État parfait parfait 2 70 vendu et expédié par rediv books 4 5 7 668 ventes pays d expédition france métropolitaine poser une question au vendeur offres sur ce produit bon plan caractéristiques voir tout date de parution 10 01 2014 editeur le

les schtroumpfs tome 22 le schtroumpf reporter les schtroumpfs 22 - Jun 14 2023

web les schtroumpfs tome 22 le schtroumpf reporter les schtroumpfs 22 peyo amazon com tr kitap

les schtroumpfs tome 22 le schtroumpf reporter - Aug 04 2022

web un des schtroumpfs qui aime observer les comportements de son entourage s est en effet rendu compte que le moindre petit événement était souvent déformé par le bouche à oreille et qu'une peccadille pouvait prendre des proportions démesurées ce schtroumpf a donc décidé de créer un quotidien d information qui relatera très exactement les faits qui

les schtroumpfs lombard tome 22 le schtroumpf reporter Éditions le - Aug 16 2023

web son créateur et animateur qui se fait maintenant appeler le schtroumpf reporter ne tarde pas à s attirer certaines inimitiés dans sa recherche de la vérité il met effectivement en lumière des inégalités dans la façon dont le village des schtroumpfs est administré

les schtroumpfs lombard tome 22 le schtroumpf reporter - Mar 11 2023

web noté 5 retrouvez les schtroumpfs lombard tome 22 le schtroumpf reporter et des millions de livres en stock sur amazon fr achetez neuf ou d occasion

les schtroumpfs tome 22 le schtroumpf reporter cultura - Oct 06 2022

web les schtroumpfs tome 22 le schtroumpf reporter par peyo aux éditions lombard les schtroumpfs sont mal informés l un d entre eux qui aime observer les comportements de son entourage s est en effet rendu compte que le moindre petit événement

les schtroumpfs tome 22 le schtroumpf reporter decitre - Mar 31 2022

web nov 15 2003 les schtroumpfs tome 22 le schtroumpf reporter de luc parthoens Éditeur lombard livraison gratuite à 0 01 dès 35 d achat librairie decitre votre prochain livre est là

les schtroumpfs tome 22 le schtroumpf reporter ebook - Nov 07 2022

web achetez et téléchargez ebook les schtroumpfs tome 22 le schtroumpf reporter boutique kindle littérature française amazon fr

les schtroumpfs 22 le schtroumpf reporter bedetheque - Feb 10 2023

web nov 13 2003 le schtroumpf reporter info édition 2ème page r 12 2012 4ème plat 30 albums des schtroumpfs 5 schtroumpferies 1 hors série 5 120 blagues de schtroumpfs et 2 l univers des schtroumpfs 22 c2021 le schtroumpf reporter

les schtroumpfs tome 22 le schtroumpf reporter amazon fr - Jul 15 2023

web les schtroumpfs tome 22 le schtroumpf reporter peyo amazon fr livres livres livres pour enfants bandes dessinées livraison prioritaire profitez de tous les avantages de livraison en vous inscrivant à prime neuf 11 95 tous les prix incluent la tva retours gratuits livraison à 0 01 vendredi 8 septembre détails

les schtroumpfs lombard tome 22 le schtroumpf reporter - Jun 02 2022

web nov 15 2003 son créateur et animateur qui se fait maintenant appeler le schtroumpf reporter ne tarde pas à s attirer certaines inimitiés dans sa recherche de la vérité il met effectivement en lumière des inégalités dans la façon

les schtroumpfs tome 22 le schtroumpf reporter decitre - May 01 2022

web jun 13 2013 son créateur et animateur qui se fait maintenant appeler le schtroumpf reporter ne tarde pas à s attirer certaines inimitiés dans sa recherche de la vérité il met effectivement en lumière des inégalités dans la façon

schtroumpfs les 22 le schtroumpf reporter scenario - Sep 05 2022

web schtroumpfs les tome 22 le schtroumpf reporter parmi tous les schtroumpfs il y en a un qui adore observer et apprendre aussi note il tout scrupuleusement dans son petit carnet mais un jour il surprend le schtroumpf pêcheur qui s est emmêlé dans le fil de sa canne à pêche et qui tombe à l eau

[les schtroumpfs peyo collection complète archive org](#) - Feb 27 2022

web 2022 11 22 16 45 06 identifier tome 01 les schtroumpfs noirs identifier ark ark 13960 s2v23kqs3rx ocr tesseract 5 2 0 1 gc42a ocr detected lang fr

les schtroumpfs 22 le schtroumpf reporter issue comic vine - Jan 29 2022

web les schtroumpfs les schtroumpfs 22 le schtroumpf reporter released by dupuis on november 2003 son créateur et animateur qui se fait maintenant appeler le schtroumpf reporter ne tarde

les schtroumpfs tome 22 tome 22 les schtroumpfs lombard - May 13 2023

web son créateur et animateur qui se fait maintenant appeler le schtroumpf reporter ne tarde pas à s attirer certaines inimitiés dans sa recherche de la vérité il met effectivement en lumière des inégalités dans la façon dont le village des schtroumpfs est administré

les schtroumpfs tome 22 le schtroumpf reporter goodreads - Jul 03 2022

web nov 15 2003 un des schtroumpfs qui aime observer les comportements de son entourage s est en effet ren les schtroumpfs tome 22 le schtroumpf reporter by peyo goodreads home

my first chess book 35 easy and fun chess based activities for - Sep 24 2022

web find many great new used options and get the best deals for my first chess book 35 easy and fun chess based activities for children aged 7 years by jessica e martin paperback 2014 at the best online prices at ebay free delivery for many products

[my first chess book 35 easy and fun chess based activities for](#) - Dec 28 2022

web abebooks com my first chess book 35 easy and fun chess based activities for children aged 7 years 9781782491576 by martin jessica e and a great selection of similar new used and collectible books available now at great prices

my first chess book 35 easy and fun chess based activities for - Jul 23 2022

web my first chess book 35 easy and fun chess based activities for children aged 7 years by jessica e martin write the first customer review filter results shipping eligible for free shipping expedited shipping available chess

[my first chess book 35 easy and fun chess based activities for](#) - Feb 27 2023

web buy my first chess book 35 easy and fun chess based activities for children by jessica prescott 2014 07 01 by isbn from amazon s book store everyday low prices and free delivery on eligible orders

my first chess book 35 easy and fun chess based a pdf - Mar 19 2022

web my first chess book 35 easy and fun chess based a checkmate the kids book of chess first book of chess first

encyclopedia of seas oceans chess for kids my first chess book 35 easy and fun chess based a 3 3 based on ten years of experience with thousands of pupils at the prize winning charlotte chess center all problems are

full version my first chess book 35 easy and fun chess based - Aug 24 2022

web jan 16 2020 go driveline club book 1782491570 learn how to play chess the world s most popular board game chess is easy to learn and anyone can play it jessica e prescott teaches you how you can get good at it and start winning improve your skills through 35 fun activities this isn t just a textbook about the rules of the game

my first chess book 35 easy and fun chess based activities for - Nov 26 2022

web buy my first chess book 35 easy and fun chess based activities for children aged 7 years by martin jessica e online on amazon ae at best prices fast and free shipping free returns cash on delivery available on eligible purchase

learn to play chess 35 easy and fun chess activities for children - Oct 26 2022

web the book generally emphasizes fun and real but healthy competition as well as since it is chess concentration and self discipline i was pleased how much content there is it s about 125 mostly full pages about half illustrations and

my first chess book 35 easy and fun chess based activities for - Mar 31 2023

web my first chess book 35 easy and fun chess based activities for children by jessica prescott 2014 paperback on amazon com free shipping on qualifying offers my first chess book 35 easy and fun chess based activities for children by jessica prescott 2014 paperback

my first chess book 35 easy and fun chess based activities for - Sep 05 2023

web my first chess book 35 easy and fun chess based activities for children aged 7 years jessica e prescott amazon com tr kitap

download read my first chess book 35 easy and fun chess based - Jun 21 2022

web pdf download my first chess book 35 easy and fun chess based activities for children aged 7 years ebook read online link read download and more info

my first chess book 35 easy and fun chess based activities for - May 01 2023

web improve your skills through 35 fun activities this isn t just a textbook about the rules of the game why not have a game of pawn football pawns line up at their starting rank and race to the other side or do the queen dance make a checkmate using only a

my first chess book 35 easy and fun chess based activities for - Jul 03 2023

web jul 10 2014 buy my first chess book 35 easy and fun chess based activities for children aged 7 years by martin jessica e isbn 9781782491576 from amazon s book store everyday low prices and free delivery on eligible orders

my first chess book 35 easy and fun chess based a 2023 - Feb 15 2022

web my first chess book 35 easy and fun chess based a 1 my first chess book 35 easy and fun chess based a my first book of chess tactics kasparov teaches chess first chess openings my first chess book the grand chessboard reclaiming the curriculum chess for kids your first chess lessons capablanca x3 everyone s first chess

my first chess book 35 easy and fun chess based activities for - Oct 06 2023

web jul 10 2014 my first chess book 35 easy and fun chess based activities for children aged 7 years paperback july 10 2014 by jessica e martin author 4 4 4 4 out of 5 stars 67 ratings

my first chess book 35 easy and fun chess based activities for - Jun 02 2023

web learn how to play chess the world s most popular board game chess is easy to learn and anyone can play it jessica e prescott teaches you how you can get good at it and start winning improve your skills through 35 fun activities this isn t just a textbook about the rules of the game

beginner chess lessons chess com - May 21 2022

web the alapin variation of the sicilian defense is a logical attempt for white to avoid the complexities of the open sicilian white aims to control the center but risks falling behind in development learn the key ideas in this important variation for both sides m chess com coach 3 lessons beginner

my first chess book 35 easy and fun chess activities for children - Aug 04 2023

web feb 17 2023 my first chess book 35 easy and fun chess activities for children aged 7 years prescott jessica e author free download borrow and streaming internet archive

my first chess book 35 easy and fun chess based activities - Apr 19 2022

web kindly say the my first chess book 35 easy and fun chess based activities for children aged 7 years is universally compatible with any devices to read improve your chess tactics jakov neishstadt 2014 03 07 the best advice for chess players who want to improve quickly is get better at tactics

my first chess book 35 easy and fun chess based activities for - Jan 29 2023

web jul 10 2014 my first chess book 35 easy and fun chess based activities for children aged 7 years martin jessica e 9781782491576 books amazon ca