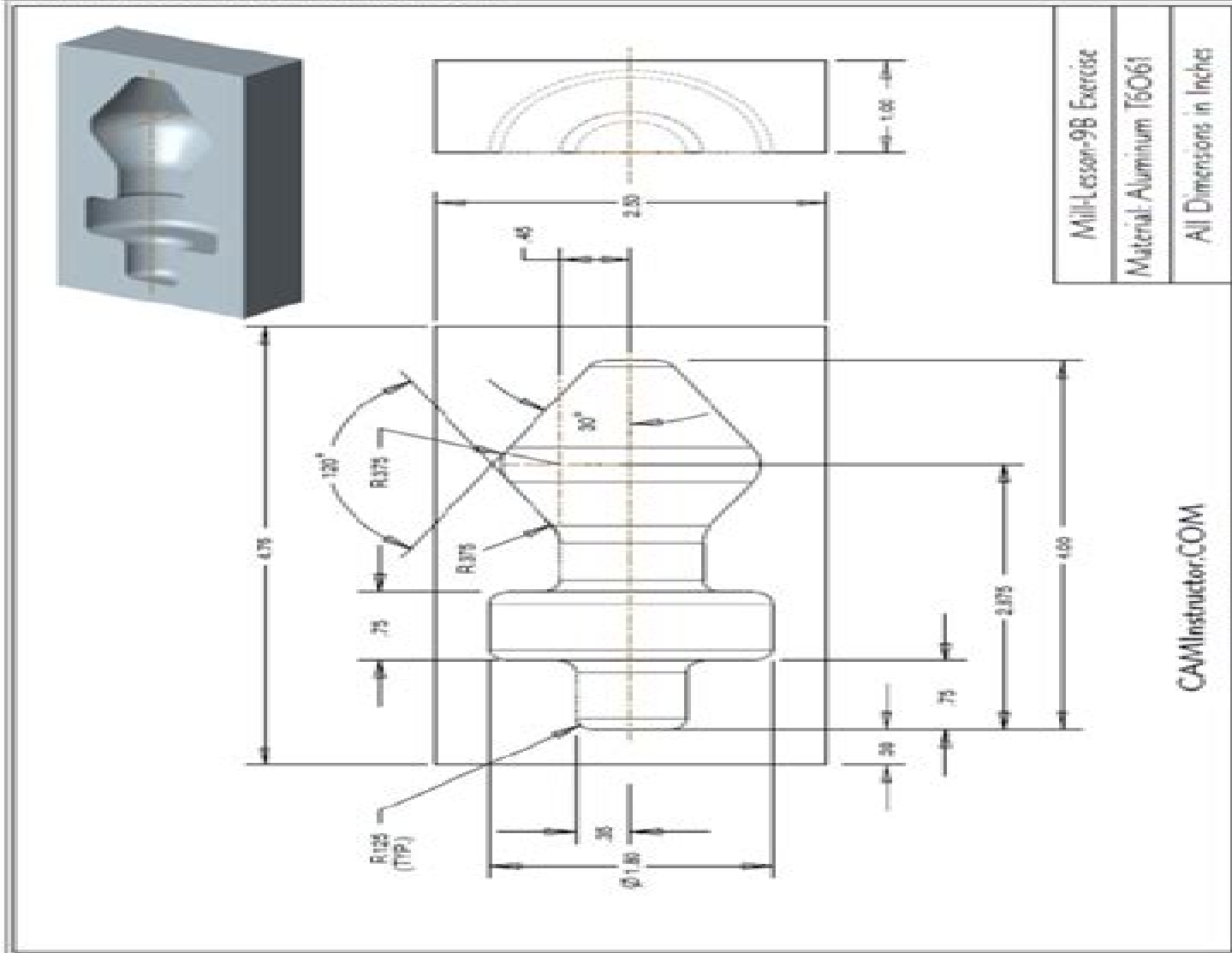


MILL-LESSON-9-EXERCISE-B



[Mastercam Training Guide Wire Pdf Download](#)

PT Brinkman



Mastercam Training Guide Wire Pdf Download:

Mastercam 2020 Training Guide ,2020 *Mastercam X5 Training Guide - Mill 2D&3D* ,2010 **Mastercam Wire Training Tutorial X** Mariana Lendel, Mastercam Wire Training Tutorial X2 Mariana Lendel,2006 Mastercam Mariana Lendel,Duane Weidinger,2002 Mastercam X2 Training Guide Mill Matthew Manton,Duane Weidinger,2007 *Mastercam X5 Training Guide - Lathe* ,2010 *Mastercam X2 Training Guide Lathe* Matthew Manton,Duane Weidinger,2007 *Mastercam Wire Training Tutorial X7* Mariana Lendel,2013 Mastercam Training Guide Teacher Kit ,2007 Mastercam X2 Training Guide Mill 2D Matthew Manton,Duane Weidinger,2007 **Mastercam Training Guide** Matthew Manton,Duane Weidinger, **Mastercam 2022** Matthew Manton,Duane Weidinger,Mike Wearne,2022 *Mastercam X2* Mariana Lendel,2007 *Mastercam X2 Training Guide* Matthew Manton,Duane Weidinger,2007 **Mastercam X Training Guide, Mill 2D&3D/Lathe Combo** Matthew Manton,Duane Weidinger,2008 **Mastercam X7** Matthew Manton,2013 Mastercam 2026 Duane Weidinger,Mike Wearne,2026 *Mastercam 2026* Mike Wearne,Duane Weidinger,2026 Mastercam 2025 Mike Wearne,Duane Weidinger,2025

Embark on a breathtaking journey through nature and adventure with Crafted by is mesmerizing ebook, Natureis Adventure: **Mastercam Training Guide Wire Pdf Download** . This immersive experience, available for download in a PDF format (PDF Size: *), transports you to the heart of natural marvels and thrilling escapades. Download now and let the adventure begin!

https://py.bijouxmedusa.com/data/uploaded-files/Documents/arduino_progetti_e_soluzioni.pdf

Table of Contents Mastercam Training Guide Wire Pdf Download

1. Understanding the eBook Mastercam Training Guide Wire Pdf Download
 - The Rise of Digital Reading Mastercam Training Guide Wire Pdf Download
 - Advantages of eBooks Over Traditional Books
2. Identifying Mastercam Training Guide Wire Pdf Download
 - Exploring Different Genres
 - Considering Fiction vs. Non-Fiction
 - Determining Your Reading Goals
3. Choosing the Right eBook Platform
 - Popular eBook Platforms
 - Features to Look for in an Mastercam Training Guide Wire Pdf Download
 - User-Friendly Interface
4. Exploring eBook Recommendations from Mastercam Training Guide Wire Pdf Download
 - Personalized Recommendations
 - Mastercam Training Guide Wire Pdf Download User Reviews and Ratings
 - Mastercam Training Guide Wire Pdf Download and Bestseller Lists
5. Accessing Mastercam Training Guide Wire Pdf Download Free and Paid eBooks
 - Mastercam Training Guide Wire Pdf Download Public Domain eBooks
 - Mastercam Training Guide Wire Pdf Download eBook Subscription Services
 - Mastercam Training Guide Wire Pdf Download Budget-Friendly Options

6. Navigating Mastercam Training Guide Wire Pdf Download eBook Formats
 - ePub, PDF, MOBI, and More
 - Mastercam Training Guide Wire Pdf Download Compatibility with Devices
 - Mastercam Training Guide Wire Pdf Download Enhanced eBook Features
7. Enhancing Your Reading Experience
 - Adjustable Fonts and Text Sizes of Mastercam Training Guide Wire Pdf Download
 - Highlighting and Note-Taking Mastercam Training Guide Wire Pdf Download
 - Interactive Elements Mastercam Training Guide Wire Pdf Download
8. Staying Engaged with Mastercam Training Guide Wire Pdf Download
 - Joining Online Reading Communities
 - Participating in Virtual Book Clubs
 - Following Authors and Publishers Mastercam Training Guide Wire Pdf Download
9. Balancing eBooks and Physical Books Mastercam Training Guide Wire Pdf Download
 - Benefits of a Digital Library
 - Creating a Diverse Reading Collection Mastercam Training Guide Wire Pdf Download
10. Overcoming Reading Challenges
 - Dealing with Digital Eye Strain
 - Minimizing Distractions
 - Managing Screen Time
11. Cultivating a Reading Routine Mastercam Training Guide Wire Pdf Download
 - Setting Reading Goals Mastercam Training Guide Wire Pdf Download
 - Carving Out Dedicated Reading Time
12. Sourcing Reliable Information of Mastercam Training Guide Wire Pdf Download
 - Fact-Checking eBook Content of Mastercam Training Guide Wire Pdf Download
 - Distinguishing Credible Sources
13. Promoting Lifelong Learning
 - Utilizing eBooks for Skill Development
 - Exploring Educational eBooks
14. Embracing eBook Trends
 - Integration of Multimedia Elements

- Interactive and Gamified eBooks

Mastercam Training Guide Wire Pdf Download Introduction

Free PDF Books and Manuals for Download: Unlocking Knowledge at Your Fingertips In today's fast-paced digital age, obtaining valuable knowledge has become easier than ever. Thanks to the internet, a vast array of books and manuals are now available for free download in PDF format. Whether you are a student, professional, or simply an avid reader, this treasure trove of downloadable resources offers a wealth of information, conveniently accessible anytime, anywhere. The advent of online libraries and platforms dedicated to sharing knowledge has revolutionized the way we consume information. No longer confined to physical libraries or bookstores, readers can now access an extensive collection of digital books and manuals with just a few clicks. These resources, available in PDF, Microsoft Word, and PowerPoint formats, cater to a wide range of interests, including literature, technology, science, history, and much more. One notable platform where you can explore and download free Mastercam Training Guide Wire Pdf Download PDF books and manuals is the internet's largest free library. Hosted online, this catalog compiles a vast assortment of documents, making it a veritable goldmine of knowledge. With its easy-to-use website interface and customizable PDF generator, this platform offers a user-friendly experience, allowing individuals to effortlessly navigate and access the information they seek. The availability of free PDF books and manuals on this platform demonstrates its commitment to democratizing education and empowering individuals with the tools needed to succeed in their chosen fields. It allows anyone, regardless of their background or financial limitations, to expand their horizons and gain insights from experts in various disciplines. One of the most significant advantages of downloading PDF books and manuals lies in their portability. Unlike physical copies, digital books can be stored and carried on a single device, such as a tablet or smartphone, saving valuable space and weight. This convenience makes it possible for readers to have their entire library at their fingertips, whether they are commuting, traveling, or simply enjoying a lazy afternoon at home. Additionally, digital files are easily searchable, enabling readers to locate specific information within seconds. With a few keystrokes, users can search for keywords, topics, or phrases, making research and finding relevant information a breeze. This efficiency saves time and effort, streamlining the learning process and allowing individuals to focus on extracting the information they need. Furthermore, the availability of free PDF books and manuals fosters a culture of continuous learning. By removing financial barriers, more people can access educational resources and pursue lifelong learning, contributing to personal growth and professional development. This democratization of knowledge promotes intellectual curiosity and empowers individuals to become lifelong learners, promoting progress and innovation in various fields. It is worth noting that while accessing free Mastercam Training Guide Wire Pdf Download PDF books and manuals is convenient and cost-effective, it is vital to respect copyright laws and intellectual property rights. Platforms

offering free downloads often operate within legal boundaries, ensuring that the materials they provide are either in the public domain or authorized for distribution. By adhering to copyright laws, users can enjoy the benefits of free access to knowledge while supporting the authors and publishers who make these resources available. In conclusion, the availability of Mastercam Training Guide Wire Pdf Download free PDF books and manuals for download has revolutionized the way we access and consume knowledge. With just a few clicks, individuals can explore a vast collection of resources across different disciplines, all free of charge. This accessibility empowers individuals to become lifelong learners, contributing to personal growth, professional development, and the advancement of society as a whole. So why not unlock a world of knowledge today? Start exploring the vast sea of free PDF books and manuals waiting to be discovered right at your fingertips.

FAQs About Mastercam Training Guide Wire Pdf Download Books

How do I know which eBook platform is the best for me? Finding the best eBook platform depends on your reading preferences and device compatibility. Research different platforms, read user reviews, and explore their features before making a choice. Are free eBooks of good quality? Yes, many reputable platforms offer high-quality free eBooks, including classics and public domain works. However, make sure to verify the source to ensure the eBook credibility. Can I read eBooks without an eReader? Absolutely! Most eBook platforms offer webbased readers or mobile apps that allow you to read eBooks on your computer, tablet, or smartphone. How do I avoid digital eye strain while reading eBooks? To prevent digital eye strain, take regular breaks, adjust the font size and background color, and ensure proper lighting while reading eBooks. What the advantage of interactive eBooks? Interactive eBooks incorporate multimedia elements, quizzes, and activities, enhancing the reader engagement and providing a more immersive learning experience. Mastercam Training Guide Wire Pdf Download is one of the best book in our library for free trial. We provide copy of Mastercam Training Guide Wire Pdf Download in digital format, so the resources that you find are reliable. There are also many Ebooks of related with Mastercam Training Guide Wire Pdf Download. Where to download Mastercam Training Guide Wire Pdf Download online for free? Are you looking for Mastercam Training Guide Wire Pdf Download PDF? This is definitely going to save you time and cash in something you should think about. If you trying to find then search around for online. Without a doubt there are numerous these available and many of them have the freedom. However without doubt you receive whatever you purchase. An alternate way to get ideas is always to check another Mastercam Training Guide Wire Pdf Download. This method for see exactly what may be included and adopt these ideas to your book. This site will almost certainly help you save time and effort, money and stress. If you are looking for free books then you really should consider finding to assist you try this. Several of Mastercam Training Guide Wire Pdf Download are for sale to free while some are payable. If you arent sure if the

books you would like to download works with for usage along with your computer, it is possible to download free trials. The free guides make it easy for someone to free access online library for download books to your device. You can get free download on free trial for lots of books categories. Our library is the biggest of these that have literally hundreds of thousands of different products categories represented. You will also see that there are specific sites catered to different product types or categories, brands or niches related with Mastercam Training Guide Wire Pdf Download. So depending on what exactly you are searching, you will be able to choose e books to suit your own need. Need to access completely for Campbell Biology Seventh Edition book? Access Ebook without any digging. And by having access to our ebook online or by storing it on your computer, you have convenient answers with Mastercam Training Guide Wire Pdf Download To get started finding Mastercam Training Guide Wire Pdf Download, you are right to find our website which has a comprehensive collection of books online. Our library is the biggest of these that have literally hundreds of thousands of different products represented. You will also see that there are specific sites catered to different categories or niches related with Mastercam Training Guide Wire Pdf Download So depending on what exactly you are searching, you will be able to choose ebook to suit your own need. Thank you for reading Mastercam Training Guide Wire Pdf Download. Maybe you have knowledge that, people have search numerous times for their favorite readings like this Mastercam Training Guide Wire Pdf Download, but end up in harmful downloads. Rather than reading a good book with a cup of coffee in the afternoon, instead they juggled with some harmful bugs inside their laptop. Mastercam Training Guide Wire Pdf Download is available in our book collection an online access to it is set as public so you can download it instantly. Our digital library spans in multiple locations, allowing you to get the most less latency time to download any of our books like this one. Merely said, Mastercam Training Guide Wire Pdf Download is universally compatible with any devices to read.

Find Mastercam Training Guide Wire Pdf Download :

[arduino progetti e soluzioni](#)

[api 607 american petroleum institute](#)

[apa guide 7th edition](#)

[apple support iphone 6 plus manual wordpress](#)

[aoac 1995](#)

arduino programming in 24 hours sams teach yourself sams teach yourself in 24 hours

applications of nanotechnology and nanomaterials in

[applied thermodynamics by rs khurmi](#)

applied therapeutics the clinical use of drugs

arrivederci video 1 edizioni edilingua

~~applied statistics and probability for engineers solution free~~

~~arti makna dan hikmah maulid nabi besar muhammad saw~~

~~apush amsc multiple choice answers 1-17 course here~~

~~ap biology reading answers chapter 15~~

~~applied linguistics guy cook~~

Mastercam Training Guide Wire Pdf Download :

test bank maternity and pediatric nursing 4th edition - Dec 27 2022

web feb 13 2022 test bank maternity and pediatric nursing 4th edition practice questions to help you better test and understand the material for your nursing exams and homework includes every chapter with questions answers and rationales immediate download

maternal child study guide test bank safe maternity amp pediatric - Jun 01 2023

web the development if they wish chapter number and title 1 introduction to maternity and pediatric nursing chapter learning objective compare the roles of the licensed practical vocational nurse lpn lvn registered nurse rn nurse practitioner np clinical nurse specialist cns and

maternity nursing nclex practice quiz and test bank 500 - Oct 05 2023

web oct 5 2023 welcome to your nursing test bank and nclex practice questions for maternity and newborn nursing this nursing test bank includes 500 practice questions to test your competence on the concepts behind maternal and child health nursing maternity nursing and obstetric nursing

test bank introduction to maternity and pediatric nursing 9th - Aug 03 2023

web test bank introduction to maternity and pediatric nursing 9th edition leifer 2023 university joseph f mccloskey school of nursing course fundamentals of nursing nursing 100

test bank for introduction to maternity and pediatric nursing - Jan 28 2023

web jul 25 2022 introduction to maternity and pediatric nursing 8th edition leifer test bank contains chapters 1 to 34 questions with explanations content unit i an overview of maternity and pediatric nursing 1 the past present and future unit ii maternal newborn nursing and women s health 2 human repro

test bank maternity and pediatric nursing 4th edition studocu - Sep 04 2023

web test bank maternity and pediatric nursing 4th edition ricci 2021 joseph f mccloskey school of nursing fundamentals of nursing nursing 100 students shared 227 documents in this course when integrating the principles of family

test bank for maternity pediatric nursing 4th edition by ricci - Aug 23 2022

web sep 25 2021 complete test bank for maternity pediatric nursing 4th edition ricci reference p 12 3 a nurse is conducting an orientation program for a group of newly hired nurses as part of the program

safe maternity pediatric nursing care 2nd ed test bank - Jun 20 2022

web the test bank safe maternity pediatric nursing care 2nd ed test bank online resources and davis edge work together to create an interactive learning experience that teaches students to think critically and make the best

test bank for introduction to maternity and pediatric nursing 9th - Feb 14 2022

web sep 8 2023 exams certification test bank for introduction to maternity and pediatric nursing 9th edition leifer chapter 1 34 complete guide this is not a book this is a test bank study questions to help you study for your tests no delay the download is quick and instantaneous right after you checkout

test bank complete for maternity and pediatric nursing 3rd - Mar 18 2022

web sep 3 2023 1 test bank complete maternity and pediatric nursing 3rd edition test bank maternity and pediatric nursing 3rd edition 2 contents chapter 1 perspectives on maternal newborn and women s health care 4 chapter 2 family centered

introduction to maternity and pediatric nursing 8th edition test bank - Oct 25 2022

web focus on nursing pharmacology 8th edition test bank is 979 pages long these test bank questions cover all there is to know about the book include answers references and feedback davis advantage for medical surgical nursing 1st edition test bank is 1223 pages long these test bank questions include answers references and feedback

test bank for introduction to maternity and pediatric nursing 8th - Apr 18 2022

web a maternal and infant deaths per 100 000 live births per year b deaths of fetuses weighing more than 500 g per 10 000 births per year c deaths of infants up to 1 year of age per 1000 live births per year d fetal and neonatal deaths per 1000 live births per year ans d the perinatal mortality rate includes fetal and neonatal deaths per 1000

maternity testbank pdf test bank introduction to - Sep 23 2022

web view maternity testbank pdf from nursing 102 at okanagan college test bank introduction to maternity and pediatric nursing 7e leifer 2015 1 table of contents table of contents 1 chapter 01 the ai homework help

test bank for maternity and pediatric nursing 4th edition stuvia - Nov 25 2022

web aug 17 2022 test bank for maternity and pediatric nursing 4th edition ricci kyle carman table of content unit 1 introduction to maternity and pediatric nursing chapter 1 perspectives on maternal and child health care chapter 2 family centered community based care unit 2 women s health throughout the

testbank ricci essentials maternity newborn womens nursing 4 - Feb 26 2023

web d heart attacks in women are more easily diagnosed test bank essentials of maternity newborn and women s health

nursing 4th edition 21 a nurse is working to develop a health education program for a local community to
maternity and pediatric nursing 4th edition ricci kyle carman test bank - Apr 30 2023

web maternity and pediatric nursing 4th edition ricci kyle carman test bank table of contents unit 1 introduction to maternity and pediatric nursing chapter 1 perspectives on maternal and child health care chapter 2 family centered community based care unit 2 women s health throughout the life span chapter 3

test bank maternity and pediatric nursing 4th edition - May 20 2022

web test bank maternity and pediatric nursing 4th edition when integrating the principles of family centered care into the birthing process the nurse would base care upon which belief a birth is viewed as a medical event b families are unable to make informed choices due to stress c birth results in changes in relationships d

maternal child nursing test bank studocu - Jul 22 2022

web maternal child nursing test bank chapter 01 foundations of maternity women s health and child studocu maternal child nursing test bank mckinney 5th edition chapter 01 foundations of maternity health and child health nursing mckinney evolve resources for skip to document

test bank for maternity and pediatric nursing 3rd edition - Mar 30 2023

web test bank for maternity and pediatric nursing 3rd edition test bank maternity and pediatric studocu chapter 18 nursing management of the newborn

maternity and pediatric nursing 4th edition ricci kyle carman test bank - Jul 02 2023

web maternity and pediatric nursing 4th edition ricci kyle carman test bank chapter 1 perspectives on maternal and child health care 1 the united states ranks 50th in the world for maternal mortality and 41st among industrialized nations for infant mortality rate

made by raffi a story for kids who don t fit in babynames com - Jul 02 2022

web mar 12 2021 made by raffi written by craig pomranz and illustrated by margaret chamberlain made by raffi is the story of a little boy named raffi who feels different from the other kids at school compared to his classmates his hair is longer his clothes are brighter and he doesn t like the noisy crowded playground

made by raffi bookreview vidya sury collecting smiles - Mar 30 2022

web apr 20 2018 r is for raffi made by raffi is an original children s book written by craig pomranz illustrated by margaret chamberlain and published by frances lincoln publishers made by raffi book blurb raffi is a shy boy who doesn t like noisy games and is often teased at school

made by raffi a children s story about embracing our differences - Dec 07 2022

web may 31 2021 made by raffi is shortlisted for the little rebel children s book award craig pomranz is an internationally

known singer song stylist actor and author made by raffi is his first children

made by raffi our q a with craig pomranz newswhistle - Feb 26 2022

web dec 8 2016 date december 8 2016 hometown st louis current town new york city occupation saloon singer actor song stylist author so you have a successful career as a cabaret singer performing frequently in nyc and london what made you decide to write a children s book what was your inspiration looking back i realize i always wrote

geneen roth posts about made by raffi facebook - Dec 27 2021

web see more of made by raffi on facebook log in or

made by raffi one of the best children s books i ve facebook - Nov 06 2022

web one of the best children s books i ve read in recent times thank you vidya sury goo gl eze7jd

made by raffi youtube - Sep 04 2022

web mar 26 2020 by craig pomranz and margaret chamberlain

made by raffi booktrust - Aug 03 2022

web made by raffi author craig pomranz illustrator margaret chamberlain publisher frances lincoln children s books raffi is a small shy boy who happens to like bright colours and quiet activities unlike most of his peers he prefers not to spend his lunch break playing football yelling fighting or throwing things so he generally finds

book review made by raffi happysensitivekids com - Oct 05 2022

web ade by raffi is a superb children s book about tearing down gender stereotypes this book highlights the beauty and talents of sensitive quiet children the story raffi doesn t like the hustle and bustle of the school playground at break time instead he seeks out a quiet place to sit sound like anyone you know

made by raffi pomranz craig author free download borrow - Apr 11 2023

web language english 1 volume unpagged 29 cm as a shy boy raffi is a loner and teased at school until one day he discovers knitting and decides to make a scarf for his father and a cape for the prince in the school play

made by raffi posts facebook - Mar 10 2023

web made by raffi posts facebook

made by raffi facebook - Aug 15 2023

web made by raffi 247 likes raffi feels different from other kids but when he discovers knitting and sewing everything changes made by raffi

made by raffi challenging gender stereotypes at an early age - Jun 13 2023

web jun 15 2021 written by craig pomranz illustrated by margaret chamberlain raffi feels different from the other children at school he doesn t like noise and rowdy play when he discovers the delights of knitting and sewing he stands out even more

made by raffi amazon com - Jul 14 2023

web jul 29 2014 so move over ralph lauren christian dior armani versace and even donna karan and coco chanel and make way for everything made by raffi a story that shows embracing your differences acceptance understanding and talents just might make you noticed as someone special and unique

made by raffi paperback 5 feb 2015 amazon co uk - Apr 30 2022

web raffi is a shy boy who doesn't like noisy games and is often teased at school but when he gets the idea of making a scarf for his dad's birthday he is full of enthusiasm even though the other children think it is girly to knit then the day draws near for the school pageant and there is one big problem no costume for the prince

made by raffi discussion guide merge for equality - Jun 01 2022

web made by raffi by craig pomranz illustrated by margaret chamberlain book summary raffi is a shy boy who doesn't like noisy games and is often teased at school but when he gets the idea of making a scarf for his dad's birthday he is full of enthusiasm even though the other children think it is girly to knit

made by raffi craig pomranz - Feb 09 2023

web made by raffi is an original children's book written by craig pomranz illustrated by margaret chamberlain and published by frances lincoln publishers you can find it in local bookstores or order it online raffi is a shy boy who doesn't like noisy games and is often teased at school

made by raffi a story of a kid who's different - May 12 2023

web apr 23 2015 made by raffi is based on a true life incident involving my godson when he was eight or nine he asked his mother why he was different was he a tomgirl a little boy made up a term that was not really in use and yet had significant meaning and his question was very layered with other thoughts about the world in which he was being raised

raffi youtube - Jan 28 2022

web raffi raffi 65 8k subscribers 114 videos a renowned singer known by his first name alone raffi was a pioneer in quality recordings for children on his independent label troubadour for

rafya İle tepsi yapımı raffia tray making kendin yap diy - Jan 08 2023

web rafyatepsiyapımı rafya kendinyap diymerhabalar bu gün rafya ile dekoratif bir tepsi yaptık dışarda çok yüksek fiyatlara satılan bu tepsiyi çok uygun

boss of the plains pdf scribd - Jun 13 2023

web boss of the plains free download as word doc doc pdf file pdf text file txt or read online for free

horseracing board boss defends three year ban on trainer luke - Dec 27 2021

web we found 1 solutions for boss of the plains tops the top solutions are determined by popularity ratings and frequency of

searches the most likely answer for the clue is

vocabulary tests available for boss of the plains vocabtest com - Apr 30 2022

web as this boss of the plains test it ends up mammal one of the favored book boss of the plains test collections that we have this is why you remain in the best website to see

boss of the plains test pdf uniport edu - Oct 25 2021

houghton mifflin reading grade 4 theme 2 boss of - Feb 09 2023

web may 19 1983 d a n jones 3325 words the boy scout handbook and other observations by paul fussell oxford 284 pp 9 95 january 1983 0 19 503102 4

vocabulary boss of the plains flashcards quizlet - Aug 03 2022

web pk d²ð content types xml ĚjĂ0 e bfÑ Øj^o ĂÉ e hú Š5Žeõbš¼p¾ã81 qiâ až¹ i m6f q9 ³a6 ØÂie 9û ½ ÚyÈÛ Ć f³ ÚÆœu[^]p óxt dĭœ k Ò

boss of the plains questions id 4751 reviewgamezone com - Jun 01 2022

web 5 hours ago the irish horseracing regulatory board ihrb has defended the three year licence withdrawal handed out to billionaire businessman trainer luke comer after 12 of

boss of the plains the hat that won the west homeschool share - Jan 08 2023

web vocabulary boss of the plains term 1 15 adventurers click the card to flip definition 1 15 travelers in search of unusual or exciting experiences click the card to flip

boss of the plains test zuzutop com - Nov 25 2021

boss of the plains hat guide - Mar 30 2022

web jun 18 2023 boss of the plains test 1 6 downloaded from uniport edu ng on june 18 2023 by guest boss of the plains test right here we have countless ebook boss of

selection test boss of the plains pdf clothing fashion scribd - Jul 14 2023

web selection test boss of the plains free download as pdf file pdf text file txt or read online for free selection test boss of the plains

4th reading vocab boss of the plains flashcards quizlet - Mar 10 2023

web this is a test given to students on fridays after reading and studying boss of the plains file is in microsoft word so that you can change it if needed

results for boss of the plains tpt - Oct 05 2022

web vocabulary tests available for boss of the plains which vocabulary test would you like to take

achieve the core - Feb 26 2022

web boss of the plains test pdf introduction boss of the plains test pdf pdf encyclopedia of library and information sciences

john d mcdonald 2017 03 15 the

d a n jones boss of the plains lrb 19 may 1983 - Sep 04 2022

web the boss of the plains hat is a lightweight all weather hat designed by john b stetson to endure the demands of the american west and it s durable waterproof and elegant this

the boss of the plains still reigns the history of the cowboy - Jul 02 2022

web a boss who uses a coffee cup test to filter candidates in job interviews is being accused by some social media users of playing mind games a cup of espresso coffee at

boss of the plains comprehension foldable tes - Apr 11 2023

web the title of our book is boss of the plains the subtitle is the hat that won the west a subtitle is often used to give a bit more description of the story if you did not know that

boss of the plains comprehension questions by jessica cassely - Aug 15 2023

web nov 28 2010 pages 200 221 why do you think the author only shows the tops of people s heads in the illustrations on pages 220 and 221 pages 222 223 why do you think john daydreams about moving west page 224 why does the author say that if john wanted

4th language arts hm 2 3 boss of the plains story - Dec 07 2022

web jun 30 2021 by 1865 stetson was manufacturing the cowboy hat and calling it the boss of the plains the boss of the plains is an iteration of the wide brimmed straw sombrero

boss using coffee cup test in job interviews criticised for - Jan 28 2022

web nov 30 2022 wow dragonflight clans of the plains questions and answers question 1 which clan upholds our ancestors traditions and guides the maruuk according to their

boss of the plains wikipedia - Nov 06 2022

web test review with questions from boss of the plains vocabulary list for boss of the plains match the word with its definitoin 4751

boss of the plains end of story test tpt - May 12 2023

web start studying 4th reading vocab boss of the plains learn vocabulary terms and more with flashcards games and other study tools

boss of the plains test pdf pdf devy ortax - Sep 23 2021

boss of the plains tops crossword clue - Jul 22 2021

wow clans of the plains answers gosunoob com - Aug 23 2021