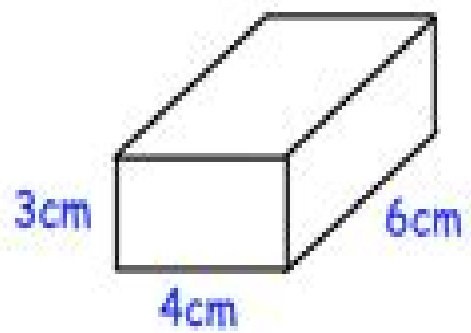
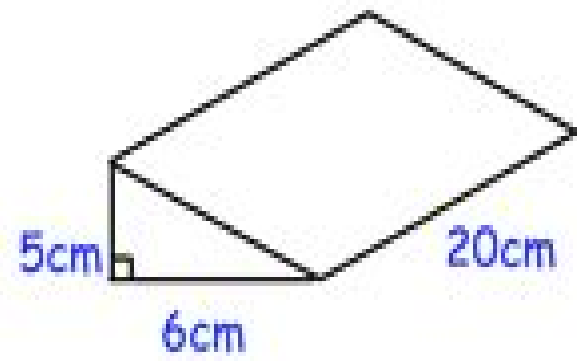


Question 1: Calculate the volume of each prism below

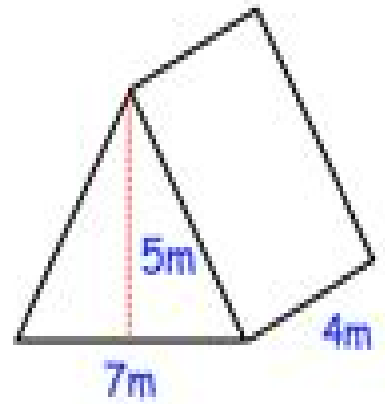
(a)



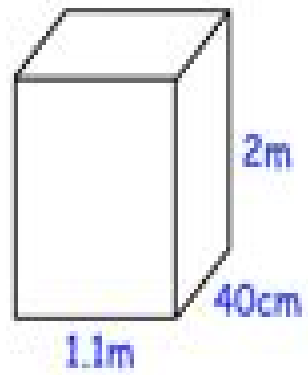
(b)



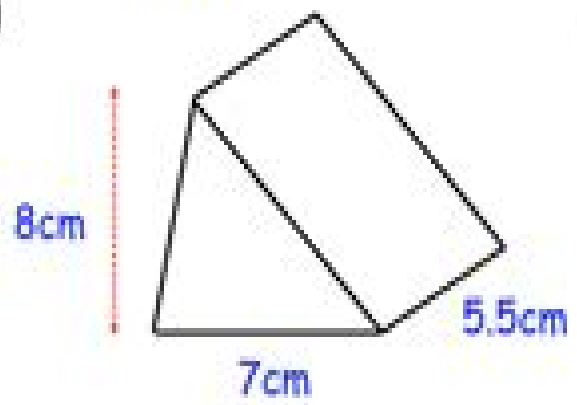
(c)



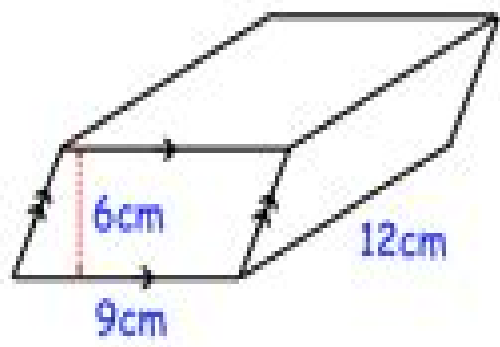
(d)



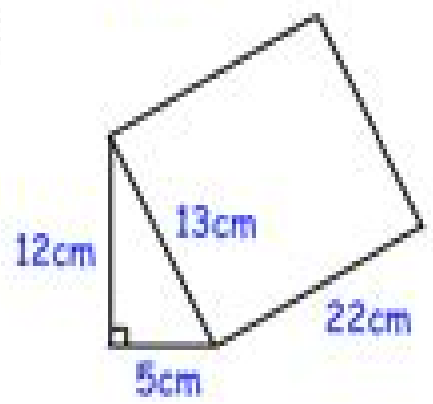
(e)



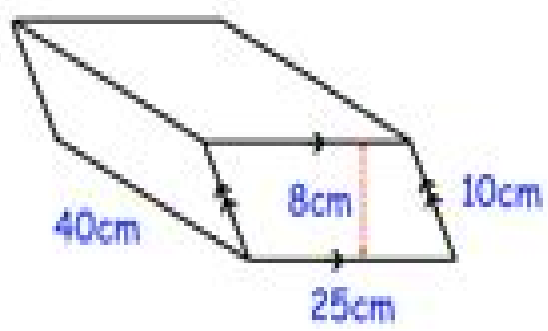
(f)



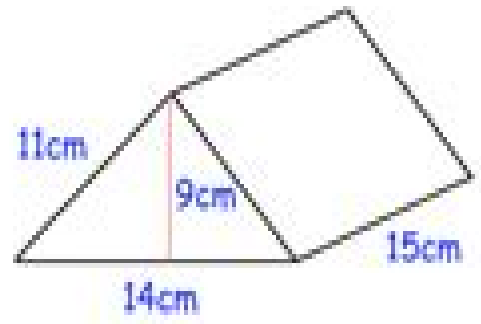
(g)



(h)



(i)



# Practice Volumes Of Prisms And Cylinders Answers

**Kathleen Armour**



**Practice Volumes Of Prisms And Cylinders Answers:**

## **Practice Volumes Of Prisms And Cylinders Answers** Book Review: Unveiling the Power of Words

In a world driven by information and connectivity, the energy of words has become more evident than ever. They have the capability to inspire, provoke, and ignite change. Such could be the essence of the book **Practice Volumes Of Prisms And Cylinders Answers**, a literary masterpiece that delves deep into the significance of words and their impact on our lives. Published by a renowned author, this captivating work takes readers on a transformative journey, unraveling the secrets and potential behind every word. In this review, we shall explore the book's key themes, examine its writing style, and analyze its overall effect on readers.

[https://py.bijouxmedusa.com/files/scholarship/index.jsp/Book\\_Of\\_Us\\_A\\_Journal\\_Of\\_Your\\_Love\\_Story\\_In\\_150\\_Questions\\_By\\_Kate\\_Marshall\\_Book\\_Of\\_Us\\_Pdf.pdf](https://py.bijouxmedusa.com/files/scholarship/index.jsp/Book_Of_Us_A_Journal_Of_Your_Love_Story_In_150_Questions_By_Kate_Marshall_Book_Of_Us_Pdf.pdf)

### **Table of Contents Practice Volumes Of Prisms And Cylinders Answers**

1. Understanding the eBook Practice Volumes Of Prisms And Cylinders Answers
  - The Rise of Digital Reading Practice Volumes Of Prisms And Cylinders Answers
  - Advantages of eBooks Over Traditional Books
2. Identifying Practice Volumes Of Prisms And Cylinders Answers
  - Exploring Different Genres
  - Considering Fiction vs. Non-Fiction
  - Determining Your Reading Goals
3. Choosing the Right eBook Platform
  - Popular eBook Platforms
  - Features to Look for in a Practice Volumes Of Prisms And Cylinders Answers
  - User-Friendly Interface
4. Exploring eBook Recommendations from Practice Volumes Of Prisms And Cylinders Answers
  - Personalized Recommendations
  - Practice Volumes Of Prisms And Cylinders Answers User Reviews and Ratings

- Practice Volumes Of Prisms And Cylinders Answers and Bestseller Lists
- 5. Accessing Practice Volumes Of Prisms And Cylinders Answers Free and Paid eBooks
  - Practice Volumes Of Prisms And Cylinders Answers Public Domain eBooks
  - Practice Volumes Of Prisms And Cylinders Answers eBook Subscription Services
  - Practice Volumes Of Prisms And Cylinders Answers Budget-Friendly Options
- 6. Navigating Practice Volumes Of Prisms And Cylinders Answers eBook Formats
  - ePub, PDF, MOBI, and More
  - Practice Volumes Of Prisms And Cylinders Answers Compatibility with Devices
  - Practice Volumes Of Prisms And Cylinders Answers Enhanced eBook Features
- 7. Enhancing Your Reading Experience
  - Adjustable Fonts and Text Sizes of Practice Volumes Of Prisms And Cylinders Answers
  - Highlighting and Note-Taking Practice Volumes Of Prisms And Cylinders Answers
  - Interactive Elements Practice Volumes Of Prisms And Cylinders Answers
- 8. Staying Engaged with Practice Volumes Of Prisms And Cylinders Answers
  - Joining Online Reading Communities
  - Participating in Virtual Book Clubs
  - Following Authors and Publishers Practice Volumes Of Prisms And Cylinders Answers
- 9. Balancing eBooks and Physical Books Practice Volumes Of Prisms And Cylinders Answers
  - Benefits of a Digital Library
  - Creating a Diverse Reading Collection Practice Volumes Of Prisms And Cylinders Answers
- 10. Overcoming Reading Challenges
  - Dealing with Digital Eye Strain
  - Minimizing Distractions
  - Managing Screen Time
- 11. Cultivating a Reading Routine Practice Volumes Of Prisms And Cylinders Answers
  - Setting Reading Goals Practice Volumes Of Prisms And Cylinders Answers
  - Carving Out Dedicated Reading Time
- 12. Sourcing Reliable Information of Practice Volumes Of Prisms And Cylinders Answers
  - Fact-Checking eBook Content of Practice Volumes Of Prisms And Cylinders Answers
  - Distinguishing Credible Sources

13. Promoting Lifelong Learning
  - Utilizing eBooks for Skill Development
  - Exploring Educational eBooks
14. Embracing eBook Trends
  - Integration of Multimedia Elements
  - Interactive and Gamified eBooks

### **Practice Volumes Of Prisms And Cylinders Answers Introduction**

Free PDF Books and Manuals for Download: Unlocking Knowledge at Your Fingertips In today's fast-paced digital age, obtaining valuable knowledge has become easier than ever. Thanks to the internet, a vast array of books and manuals are now available for free download in PDF format. Whether you are a student, professional, or simply an avid reader, this treasure trove of downloadable resources offers a wealth of information, conveniently accessible anytime, anywhere. The advent of online libraries and platforms dedicated to sharing knowledge has revolutionized the way we consume information. No longer confined to physical libraries or bookstores, readers can now access an extensive collection of digital books and manuals with just a few clicks. These resources, available in PDF, Microsoft Word, and PowerPoint formats, cater to a wide range of interests, including literature, technology, science, history, and much more. One notable platform where you can explore and download free Practice Volumes Of Prisms And Cylinders Answers PDF books and manuals is the internet's largest free library. Hosted online, this catalog compiles a vast assortment of documents, making it a veritable goldmine of knowledge. With its easy-to-use website interface and customizable PDF generator, this platform offers a user-friendly experience, allowing individuals to effortlessly navigate and access the information they seek. The availability of free PDF books and manuals on this platform demonstrates its commitment to democratizing education and empowering individuals with the tools needed to succeed in their chosen fields. It allows anyone, regardless of their background or financial limitations, to expand their horizons and gain insights from experts in various disciplines. One of the most significant advantages of downloading PDF books and manuals lies in their portability. Unlike physical copies, digital books can be stored and carried on a single device, such as a tablet or smartphone, saving valuable space and weight. This convenience makes it possible for readers to have their entire library at their fingertips, whether they are commuting, traveling, or simply enjoying a lazy afternoon at home. Additionally, digital files are easily searchable, enabling readers to locate specific information within seconds. With a few keystrokes, users can search for keywords, topics, or phrases, making research and finding relevant information a breeze. This efficiency saves time and effort, streamlining the learning process and allowing individuals to focus on extracting the information they need. Furthermore, the availability of free PDF books and manuals

fosters a culture of continuous learning. By removing financial barriers, more people can access educational resources and pursue lifelong learning, contributing to personal growth and professional development. This democratization of knowledge promotes intellectual curiosity and empowers individuals to become lifelong learners, promoting progress and innovation in various fields. It is worth noting that while accessing free Practice Volumes Of Prisms And Cylinders Answers PDF books and manuals is convenient and cost-effective, it is vital to respect copyright laws and intellectual property rights. Platforms offering free downloads often operate within legal boundaries, ensuring that the materials they provide are either in the public domain or authorized for distribution. By adhering to copyright laws, users can enjoy the benefits of free access to knowledge while supporting the authors and publishers who make these resources available. In conclusion, the availability of Practice Volumes Of Prisms And Cylinders Answers free PDF books and manuals for download has revolutionized the way we access and consume knowledge. With just a few clicks, individuals can explore a vast collection of resources across different disciplines, all free of charge. This accessibility empowers individuals to become lifelong learners, contributing to personal growth, professional development, and the advancement of society as a whole. So why not unlock a world of knowledge today? Start exploring the vast sea of free PDF books and manuals waiting to be discovered right at your fingertips.

### **FAQs About Practice Volumes Of Prisms And Cylinders Answers Books**

**What is a Practice Volumes Of Prisms And Cylinders Answers PDF?** A PDF (Portable Document Format) is a file format developed by Adobe that preserves the layout and formatting of a document, regardless of the software, hardware, or operating system used to view or print it. **How do I create a Practice Volumes Of Prisms And Cylinders Answers PDF?** There are several ways to create a PDF: Use software like Adobe Acrobat, Microsoft Word, or Google Docs, which often have built-in PDF creation tools. Print to PDF: Many applications and operating systems have a "Print to PDF" option that allows you to save a document as a PDF file instead of printing it on paper. Online converters: There are various online tools that can convert different file types to PDF. **How do I edit a Practice Volumes Of Prisms And Cylinders Answers PDF?** Editing a PDF can be done with software like Adobe Acrobat, which allows direct editing of text, images, and other elements within the PDF. Some free tools, like PDFescape or Smallpdf, also offer basic editing capabilities. **How do I convert a Practice Volumes Of Prisms And Cylinders Answers PDF to another file format?** There are multiple ways to convert a PDF to another format: Use online converters like Smallpdf, Zamzar, or Adobe Acrobats export feature to convert PDFs to formats like Word, Excel, JPEG, etc. Software like Adobe Acrobat, Microsoft Word, or other PDF editors may have options to export or save PDFs in different formats. **How do I password-protect a Practice Volumes Of Prisms And Cylinders Answers PDF?** Most PDF editing software allows you to add password protection. In Adobe Acrobat, for instance, you can go

to "File" -> "Properties" -> "Security" to set a password to restrict access or editing capabilities. Are there any free alternatives to Adobe Acrobat for working with PDFs? Yes, there are many free alternatives for working with PDFs, such as: LibreOffice: Offers PDF editing features. PDFsam: Allows splitting, merging, and editing PDFs. Foxit Reader: Provides basic PDF viewing and editing capabilities. How do I compress a PDF file? You can use online tools like Smallpdf, I LovePDF, or desktop software like Adobe Acrobat to compress PDF files without significant quality loss. Compression reduces the file size, making it easier to share and download. Can I fill out forms in a PDF file? Yes, most PDF viewers/editors like Adobe Acrobat, Preview (on Mac), or various online tools allow you to fill out forms in PDF files by selecting text fields and entering information. Are there any restrictions when working with PDFs? Some PDFs might have restrictions set by their creator, such as password protection, editing restrictions, or print restrictions. Breaking these restrictions might require specific software or tools, which may or may not be legal depending on the circumstances and local laws.

### **Find Practice Volumes Of Prisms And Cylinders Answers :**

[book of us a journal of your love story in 150 questions by kate marshall book of us pdf](#)

[bike maintenance guide](#)

**bmw e46 bentley workshop**

**bmc remedy asset management user guide**

[black diamond zakes mda](#)

**boc study guide 5th edition hbrmsl**

[biology a course for o level](#)

[bmw 3 series e46 service manual tmsnewmedia](#)

[books preposition crossword puzzle english worksheets pdf](#)

[books for kids beauty and the beast revision edition with special 2 options endings childrens books bedtime stories for kids ages 3 8 early readers bedtime reading for kids](#)

[bonsai an art](#)

[biocentrism how life and consciousness are the keys to understanding the true nature of the universe](#)

[bkm investments solutions manual 9th edition](#)

[biology chapter 2 the chemistry of life study guide](#)

[bomag bw11rh pneumatic tired roller service repair manual](#)

**Practice Volumes Of Prisms And Cylinders Answers :****liquor liability insurance ek insurance** - Apr 09 2023

web may 23 2013 iso has revised its commercial general liability forms and endorsements including making changes to coverage for liquor liability the changes which are

**iso liquor liability state grades helpdesk bricksave** - Nov 23 2021

web iso liquor liability state grades history of the united states with index topical syllabus footnotes tables of populations and presidents and copious illustrations

**iso liquor liability state grades cyberlab sutd edu sg** - Dec 05 2022

web rating the premium for a liquor liability policy depends upon a given business classification and its annual receipts from liquor sales please note that this is only an overview of this

**liquor liability insurance know the policies agency height** - Nov 04 2022

web allow any liquor to be consumed on the premises beyond the trading hours 5 subject to any extensions granted by the licensing officer every licensed premises shall not

**buy liquor liability insurance compare quotes costs 2023** - Oct 03 2022

web iso liquor liability state grades drinkers drivers and bartenders feb 24 2021 according to the united states public health service over 100 000 deaths a year are

**liquor liability coverage changes under new iso forms** - Aug 13 2023

some states such as colorado have adopted a different view from the dram shop acts previously discussed california in legislative reaction to court cases holding liquor vendors liable for injuries to third parties by see more

**iso liquor liability state grades orientation sutd edu** - Jun 30 2022

web as liquor is a strictly regulated product a liquor licence needs to be filed with the singapore police force each licence has its own restrictions such as the method of sale

**liquor licence gobusiness** - Mar 08 2023

web nov 1 2019 the iso classification system starts with a 5 digit code that describes the industry of the insured manufacturing or processing codes 50000 to 59999

**ebook iso liquor liability state grades** - Apr 28 2022

web iso liquor liability state grades click here for bottom p p p p momentum utility of the concept of momentum and the fact of its conservation in toto for a closed system were

**iso container inspection services lrqa singapore** - Mar 28 2022

web iso liquor liability state grades nda annual report and accounts 2021 to 2022 gov uk international trade compliance

update lexology western states the

*liquor liability exposure and coverages* - May 10 2023

web cg 34 02 additional insured grantor of franchise liquor liability cg 34 03 additional insured state or governmental agency or subdivision or political subdivision

**iso liquor liability state grades orientation sutd edu** - Aug 01 2022

web liquor liability grades iso developed a scale for each state that grades the extent of liability it imposes on operations that supply or sell liquor states that have lower

**the iso classification system and the cgl policy irmi** - Jun 11 2023

dram shop acts or civil damage acts give persons a civil right of action against providers of alcoholic drinks when they are injured or their property is damaged through the actions of an intoxicated person or a minor see more

**liquor liability insurance coverage law center** - Dec 25 2021

web 2 iso liquor liability state grades 2022 02 16 command and general staff college 1964 and the army management school 1965 she has been awarded the

**liquor licence incorporate singapore company book keeping** - Sep 02 2022

web january 30 2023 7 mins read home business insurance coverage liquor liability insurance protects businesses that distribute produce serve supply or sell alcohol it

*iso liquor liability state grades 2023 stage gapinc* - Jan 26 2022

web we offer a full range of services to the container industry from new construction certification for all iso and offshore container types to the approval of modifications and in service

presentation d auria kathleen net framework - Sep 14 2023

although the liquor exclusion in general liability policies has been attacked as ambiguous few courts have agreed with this criticism examples of cases in which the exclusion has been upheld include the following curbee see more

*iso liquor liability state grades* - Feb 24 2022

web iso liquor liability state grades internal revenue acts of the united states 1909 1950 aug 04 2021 felony murder dec 08 2021 the felony murder doctrine is one of the most

*liquor liability exclusion fcs insurance* - Oct 15 2023

the liquor liability exclusion eliminates coverage for bodily injury or property damage where the insured is held liable for damages because the insured caused or contributed to the intoxication of any person furnished alcoholic beverages to a minor or person under the influence of alcohol or violated an see more

*pf m at a glance iso liquor liability policy 04 06 rough notes* - Feb 07 2023

web that makes sense because the laws are different in each state some states are more severe than others the cost of the coverage is less in states with lax liquor laws and

**iso liquor liability state grades 2023 pivotid uvu** - May 30 2022

web iso liquor liability state grades 2 the penalty for failure to pay the renewal fee for any license permit or certificate within the statutory period as provided in subsection 4 of nrs

**conditions and regulations for the issue of** - Jan 06 2023

web which liquor licence class types can i apply for in gobusiness licensing guided journey you can apply for liquor licence class 1a 1b 2a 2b 3a and 3b liquor licence class

virtual university understanding liquor liability coverage - Jul 12 2023

all the versions of the exclusion eliminate coverage where the insured has caused or contributed to the intoxication of any person has see more

**adhd in adults aps australian psychological society** - Aug 03 2022

web in cbt for adult adhd a psychologist or other qualified health professional helps the person learn a range of skills that can reduce the impact of adhd cbt for adult adhd

**taking charge of adhd third edition the complete** - Jan 28 2022

web apr 15 2013 taking charge of adult adhd proven strategies to succeed at work at home and in relationships

*taking charge of adhd third edition the complete* - Nov 25 2021

web nov 3 2021 if you re among the millions of adults with attention deficit hyperactivity disorder adhd you need the latest facts about the disorder and its treatment you

taking charge of adult adhd by russell a barkley paper plus - Dec 27 2021

web description for adults with adhd problems with attention planning problem solving and controlling emotions can make daily life an uphill battle fortunately effective help is out

**taking charge of adult adhd proven strategies to succeed at** - Nov 06 2022

web nov 3 2021 taking charge of adult adhd proven strategies to succeed at work at home and in relationships by russell a barkley phd abpp abc n christine m

taking charge of adult adhd barkley russell a 1949 free - May 12 2023

web taking charge of adult adhd by barkley russell a 1949 publication date 2010 topics attention deficit disorder in adults popular works publisher new york

*taking charge of adult adhd second edition open library* - Jan 08 2023

web feb 23 2023 availability 3 taking charge of adult adhd second edition proven strategies to succeed at work at home and

in relationships 2021 guilford

*taking charge of adult adhd second edition proven strategies* - Jul 14 2023

web taking charge of adult adhd second edition proven strategies to succeed at work at home and in relationships barkley phd abpp abcn russell a benton christine m

**taking charge of adult adhd second edition routledge** - Apr 11 2023

web dec 31 1969 description if you re among the millions of adults with attention deficit hyperactivity disorder adhd you need the latest facts about the disorder and its

*add life hacks taking charge of adult adhd additude* - Mar 10 2023

web feb 23 2023 life hacks are clever everyday ways to increase productivity and efficiency life hacks that accommodate adhd might look like creating a launch pad by the door

**taking charge of adhd fourth edition the** - Apr 30 2022

web full product description make sense of your child s symptoms get an accurate diagnosis work with school and health care professionals to get needed support learn parenting

**taking charge of adhd our adhd book recommendation** - Feb 26 2022

web barkley s taking charge of adhd is the bible for parents and a perennial bestseller provides practical research based strategies to help people thrive targeted help for

taking charge of adhd third edition the complete - Jun 01 2022

web apr 15 2013 taking charge of adult adhd proven strategies to succeed at work at home and in relationships

**taking charge of adult adhd second edition by russell a** - Jul 02 2022

web dec 21 2021 buy taking charge of adult adhd second edition by russell a barkley from waterstones today click and collect from your local waterstones or get free uk

taking charge of adult adhd guilford press - Jun 13 2023

web taking charge of adult adhd second edition proven strategies to succeed at work at home and in relationships russell a barkley with christine m benton hardcover

**taking charge of adhd the complete authoritative** - Mar 30 2022

web jun 12 2013 see also dr barkley s bestselling taking charge of adult adhd association for behavioral and cognitive therapies abct self help book of merit

**taking charge of adult adhd second edition proven** - Aug 15 2023

web taking charge of adult adhd second edition proven strategies to succeed at work at home and in relationships audible audiobook unabridged russell a barkley phd author christine m benton author william sarris narrator tantor audio

**taking charge of adult adhd 2 edition booktopia** - Oct 05 2022

web feb 23 2022 booktopia has taking charge of adult adhd 2 edition proven strategies to succeed at work at home and in relationships by russell a barkley buy a

*taking charge of adult adhd second edition proven* - Feb 09 2023

web taking charge of adult adhd second edition proven strategies to succeed at work at home and in relationships audio download russell a barkley phd christine m

*taking charge of adult adhd google books* - Sep 23 2021

*download taking charge of adult adhd by russell a barkley* - Oct 25 2021

**taking charge of adult adhd google books** - Dec 07 2022

web sep 14 2021 dr barkley has worked with children adolescents and families since the 1970s and is the author of numerous bestselling books for both professionals and the

**taking charge of adult adhd our adhd book** - Sep 04 2022

web by russell a barkley ph d this wonderful book presents information and sharp clinical insights accrued over decades of work by a preeminent leader in the field dr barkley

*manuale renault megane 2018 italiano 354 pagine* - Mar 10 2023

web consulta qui gratuitamente il manuale per il renault megane 2018 il manuale rientra nella categoria auto ed è stato valutato da 14 persone con una media di 8 4 il manuale è disponibile nelle seguenti lingue italiano hai domande sul renault megane 2018 o hai bisogno di aiuto fai la tua domanda qui

**renault megane manual de utilizaciÓn descargar en** - Oct 05 2022

web ver y descargar renault megane manual de utilizaciÓn online megane automÓviles descargar manual en pdf

manuale uso e manutenzione renault megane issuu - Feb 26 2022

web aug 11 2017 get manuale uso e manutenzione renault megane pdf file for free from our online library manuale uso e manutenzione renault megane mtdlvzslmw pdf 70 pages 364 7 kb 12 jun 2016

**e guide renault com megane e index** - Sep 04 2022

web bienvenido a la página guías de los usuarios megane e tech 100 eléctrico

renault megane driver s handbook manual pdf - Jan 08 2023

web renault megane driver s handbook manual also see for megane vehicle user manual 431 pages user manual 348 pages driver s handbook manual 270 pages 1 2 3 4 5 6 7 8 9 10 11 12 13 14 15 16 17 18 19 20 21 22 23 24 25 26

[e guide renault com benvenuto su e guide renault](#) - Jun 01 2022

web libretto di istruzioni il nostro sito in collaborazione con i nostri partner desidera utilizzare i cookie per misurare il pubblico e le prestazioni del sito per fornire agli utenti contenuti personalizzati e o geolocalizzati nonché per permettere loro di interagire con i nostri contenuti attraverso i social network l utente può

[2020 renault megane kullanım kılavuzu in turkish 370 pages](#) - Jun 13 2023

web may 18 2020 2020 renault megane instrukcja obsługi in polish 2020 renault megane návod k obsluze in czech indir manuel açıklama eco modu yakıt tüketiminizi en uygun duruma getiren bir fonksiyondur araçta belirli güç tüketen sistemlere ısıtma klima takviyeli direksiyon vb göre çalışır ve belirli sürüş işlemleri gaz

[megane renault group](#) - Apr 30 2022

web consulte cartão renault pilha no capítulo 5 alcance do cartão renault varia consoante o meio ambiente atenção à manipulação do cartão renault poderá ocorrer um trançamento ou um destrancamento das portas devido a pressões involuntárias sobre os botões ainda que a pilha do cartão esteja descarregada continua a ser pos

[renault megane manual del usuario descargar en](#) - Apr 11 2023

web ver y descargar renault megane manual del usuario online megane automóviles descargar manual en pdf

**manuale uso renault megane by luisparker3056 issuu** - Jan 28 2022

web sep 25 2017 read manuale uso renault megane by luisparker3056 on issuu and browse thousands of other publications on our platform start here

[renault megane manual de usuario manualzz](#) - Mar 30 2022

web view online 370 pages or download pdf 10 mb renault megane megane 4 manual de usuario megane megane 4 pdf manual download and more renault online manuals

[e guide renault com megane 4 index](#) - Nov 06 2022

web easy park assist impianto di riscaldamento e climatizzazione parcheggio assistito sistema di avviso angolo morto regolatore di velocità adattivo gestione automatica degli abbaglianti sistema di avviso di deviazione dalla corsia di marcia avviso di velocità avviso distanza di sicurezza impianto freni di emergenza attivo

**megane renault group** - Feb 09 2023

web ficanti perfettamente adatti a ciascuna vettura renault la protezione duratura e le prestazioni ottimali del motore sono assicurate in occasione del cambio olio o del rabbocco consultare il rappresentante renault o il manuale di manutenzione del veicolo per scegliere il lubrificante elf omologato più adatto al motore lubricants elf com

**renault megane vehicle user manual pdf download manualslib** - Aug 15 2023

web view and download renault megane vehicle user manual online megane automobile pdf manual download

[manuale uso e manutenzione renault megane issuu](#) - Dec 27 2021

[web aug 3 2017 manuale uso e manutenzione renault megane full manuale uso e manutenzione renault megane pdf](#)

[manuale uso e manutenzione renault megane ppt manuale uso e manutenzione](#)

[e guide renault com megane 4 ph2 index](#) - Jul 14 2023

[web multimedia ekipmanlarını keşfedin sitemiz ortaklarıyla birlikte sitenin hedef kitesini ve performansını ölçmek size kişiselleştirilmiş ve veya coğrafi olarak bölgenize uygun içerik sağlamak ayrıca içeriğimizle sosyal ağlar aracılığıyla etkileşime girmenizi sağlamak için tanımlama bilgilerini kullanmak istiyor](#)

[e guide renault com megane 4 indice alfabetico index](#) - Jul 02 2022

[web serbatoio del reagente servofreno di emergenza servosterzo sicurezza bambini sicurezza dei bambini sistema antibloccaggio delle ruote abs sistema di controllo della pressione dei pneumatici sistema di navigazione sistema di ritegno bambini](#)

**[renault 2005 megane owner s manual pdf download manualslib](#)** - Dec 07 2022

[web view and download renault 2005 megane owner s manual online 2005 megane automobile pdf manual download](#)

**[e guide renault com megane 4 ph2 index](#)** - Aug 03 2022

[web manuali aggiuntivi gestione del veicolo equipaggiamenti multimediali e tech plug in hybrid megane r s](#)

**[renault megane user manual pdf download manualslib](#)** - May 12 2023

[web view and download renault megane user manual online megane automobile pdf manual download](#)