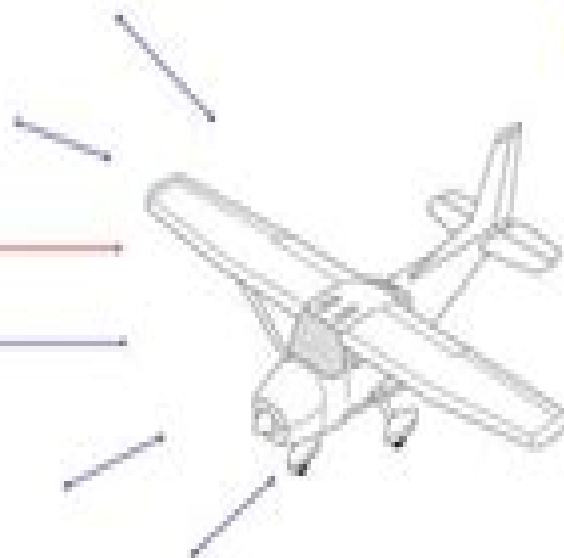


Primary / Secondary Surveillance Radar



Transmitted Signal

Received Signal



SSR



Transmitted interrogation

Generated Reply



- SSR Transponder
- External antenna
- Cockpit Control Panel

Primary Surveillance Radar Extractor Intersoft

CO Houle



Primary Surveillance Radar Extractor Intersoft:

Secondary Surveillance Radar Michael C. Stevens, 1988

Thank you for reading **Primary Surveillance Radar Extractor Intersoft**. Maybe you have knowledge that, people have search numerous times for their chosen books like this Primary Surveillance Radar Extractor Intersoft, but end up in infectious downloads.

Rather than enjoying a good book with a cup of tea in the afternoon, instead they juggled with some infectious bugs inside their computer.

Primary Surveillance Radar Extractor Intersoft is available in our digital library an online access to it is set as public so you can get it instantly.

Our book servers spans in multiple countries, allowing you to get the most less latency time to download any of our books like this one.

Merely said, the Primary Surveillance Radar Extractor Intersoft is universally compatible with any devices to read

<https://py.bijouxmedusa.com/files/publication/fetch.php/crypto%20trading%20tools%20for%20small%20business%2092%201266%20crypto%20trading%20trends.pdf>

Table of Contents Primary Surveillance Radar Extractor Intersoft

1. Understanding the eBook Primary Surveillance Radar Extractor Intersoft
 - The Rise of Digital Reading Primary Surveillance Radar Extractor Intersoft
 - Advantages of eBooks Over Traditional Books
2. Identifying Primary Surveillance Radar Extractor Intersoft
 - Exploring Different Genres
 - Considering Fiction vs. Non-Fiction
 - Determining Your Reading Goals
3. Choosing the Right eBook Platform
 - Popular eBook Platforms
 - Features to Look for in an Primary Surveillance Radar Extractor Intersoft
 - User-Friendly Interface

4. Exploring eBook Recommendations from Primary Surveillance Radar Extractor Intersoft
 - Personalized Recommendations
 - Primary Surveillance Radar Extractor Intersoft User Reviews and Ratings
 - Primary Surveillance Radar Extractor Intersoft and Bestseller Lists
5. Accessing Primary Surveillance Radar Extractor Intersoft Free and Paid eBooks
 - Primary Surveillance Radar Extractor Intersoft Public Domain eBooks
 - Primary Surveillance Radar Extractor Intersoft eBook Subscription Services
 - Primary Surveillance Radar Extractor Intersoft Budget-Friendly Options
6. Navigating Primary Surveillance Radar Extractor Intersoft eBook Formats
 - ePub, PDF, MOBI, and More
 - Primary Surveillance Radar Extractor Intersoft Compatibility with Devices
 - Primary Surveillance Radar Extractor Intersoft Enhanced eBook Features
7. Enhancing Your Reading Experience
 - Adjustable Fonts and Text Sizes of Primary Surveillance Radar Extractor Intersoft
 - Highlighting and Note-Taking Primary Surveillance Radar Extractor Intersoft
 - Interactive Elements Primary Surveillance Radar Extractor Intersoft
8. Staying Engaged with Primary Surveillance Radar Extractor Intersoft
 - Joining Online Reading Communities
 - Participating in Virtual Book Clubs
 - Following Authors and Publishers Primary Surveillance Radar Extractor Intersoft
9. Balancing eBooks and Physical Books Primary Surveillance Radar Extractor Intersoft
 - Benefits of a Digital Library
 - Creating a Diverse Reading Collection Primary Surveillance Radar Extractor Intersoft
10. Overcoming Reading Challenges
 - Dealing with Digital Eye Strain
 - Minimizing Distractions
 - Managing Screen Time
11. Cultivating a Reading Routine Primary Surveillance Radar Extractor Intersoft
 - Setting Reading Goals Primary Surveillance Radar Extractor Intersoft
 - Carving Out Dedicated Reading Time

12. Sourcing Reliable Information of Primary Surveillance Radar Extractor Intersoft
 - Fact-Checking eBook Content of Primary Surveillance Radar Extractor Intersoft
 - Distinguishing Credible Sources
13. Promoting Lifelong Learning
 - Utilizing eBooks for Skill Development
 - Exploring Educational eBooks
14. Embracing eBook Trends
 - Integration of Multimedia Elements
 - Interactive and Gamified eBooks

Primary Surveillance Radar Extractor Intersoft Introduction

In today's digital age, the availability of Primary Surveillance Radar Extractor Intersoft books and manuals for download has revolutionized the way we access information. Gone are the days of physically flipping through pages and carrying heavy textbooks or manuals. With just a few clicks, we can now access a wealth of knowledge from the comfort of our own homes or on the go. This article will explore the advantages of Primary Surveillance Radar Extractor Intersoft books and manuals for download, along with some popular platforms that offer these resources. One of the significant advantages of Primary Surveillance Radar Extractor Intersoft books and manuals for download is the cost-saving aspect. Traditional books and manuals can be costly, especially if you need to purchase several of them for educational or professional purposes. By accessing Primary Surveillance Radar Extractor Intersoft versions, you eliminate the need to spend money on physical copies. This not only saves you money but also reduces the environmental impact associated with book production and transportation. Furthermore, Primary Surveillance Radar Extractor Intersoft books and manuals for download are incredibly convenient. With just a computer or smartphone and an internet connection, you can access a vast library of resources on any subject imaginable. Whether you're a student looking for textbooks, a professional seeking industry-specific manuals, or someone interested in self-improvement, these digital resources provide an efficient and accessible means of acquiring knowledge. Moreover, PDF books and manuals offer a range of benefits compared to other digital formats. PDF files are designed to retain their formatting regardless of the device used to open them. This ensures that the content appears exactly as intended by the author, with no loss of formatting or missing graphics. Additionally, PDF files can be easily annotated, bookmarked, and searched for specific terms, making them highly practical for studying or referencing. When it comes to accessing Primary Surveillance Radar Extractor Intersoft books and manuals, several platforms offer an extensive collection of resources. One such platform is Project Gutenberg, a nonprofit organization that provides over 60,000 free eBooks. These

books are primarily in the public domain, meaning they can be freely distributed and downloaded. Project Gutenberg offers a wide range of classic literature, making it an excellent resource for literature enthusiasts. Another popular platform for Primary Surveillance Radar Extractor Intersoft books and manuals is Open Library. Open Library is an initiative of the Internet Archive, a non-profit organization dedicated to digitizing cultural artifacts and making them accessible to the public. Open Library hosts millions of books, including both public domain works and contemporary titles. It also allows users to borrow digital copies of certain books for a limited period, similar to a library lending system. Additionally, many universities and educational institutions have their own digital libraries that provide free access to PDF books and manuals. These libraries often offer academic texts, research papers, and technical manuals, making them invaluable resources for students and researchers. Some notable examples include MIT OpenCourseWare, which offers free access to course materials from the Massachusetts Institute of Technology, and the Digital Public Library of America, which provides a vast collection of digitized books and historical documents. In conclusion, Primary Surveillance Radar Extractor Intersoft books and manuals for download have transformed the way we access information. They provide a cost-effective and convenient means of acquiring knowledge, offering the ability to access a vast library of resources at our fingertips. With platforms like Project Gutenberg, Open Library, and various digital libraries offered by educational institutions, we have access to an ever-expanding collection of books and manuals. Whether for educational, professional, or personal purposes, these digital resources serve as valuable tools for continuous learning and self-improvement. So why not take advantage of the vast world of Primary Surveillance Radar Extractor Intersoft books and manuals for download and embark on your journey of knowledge?

FAQs About Primary Surveillance Radar Extractor Intersoft Books

What is a Primary Surveillance Radar Extractor Intersoft PDF? A PDF (Portable Document Format) is a file format developed by Adobe that preserves the layout and formatting of a document, regardless of the software, hardware, or operating system used to view or print it.

How do I create a Primary Surveillance Radar Extractor Intersoft PDF?

There are several ways to create a PDF: Use software like Adobe Acrobat, Microsoft Word, or Google Docs, which often have built-in PDF creation tools. Print to PDF: Many applications and operating systems have a "Print to PDF" option that allows you to save a document as a PDF file instead of printing it on paper. Online converters: There are various online tools that can convert different file types to PDF.

How do I edit a Primary Surveillance Radar Extractor Intersoft PDF? Editing a PDF can be done with software like Adobe Acrobat, which allows direct editing of text, images, and other elements within the PDF. Some free tools, like PDFescape or Smallpdf, also offer basic editing capabilities. **How do I convert a Primary**

Surveillance Radar Extractor Intersoft PDF to another file format? There are multiple ways to convert a PDF to another format: Use online converters like Smallpdf, Zamzar, or Adobe Acrobats export feature to convert PDFs to formats like Word, Excel, JPEG, etc. Software like Adobe Acrobat, Microsoft Word, or other PDF editors may have options to export or save PDFs in different formats. **How do I password-protect a Primary Surveillance Radar Extractor Intersoft PDF?** Most PDF editing software allows you to add password protection. In Adobe Acrobat, for instance, you can go to "File" -> "Properties" -> "Security" to set a password to restrict access or editing capabilities. Are there any free alternatives to Adobe Acrobat for working with PDFs? Yes, there are many free alternatives for working with PDFs, such as: LibreOffice: Offers PDF editing features. PDFsam: Allows splitting, merging, and editing PDFs. Foxit Reader: Provides basic PDF viewing and editing capabilities. How do I compress a PDF file? You can use online tools like Smallpdf, ILovePDF, or desktop software like Adobe Acrobat to compress PDF files without significant quality loss. Compression reduces the file size, making it easier to share and download. Can I fill out forms in a PDF file? Yes, most PDF viewers/editors like Adobe Acrobat, Preview (on Mac), or various online tools allow you to fill out forms in PDF files by selecting text fields and entering information. Are there any restrictions when working with PDFs? Some PDFs might have restrictions set by their creator, such as password protection, editing restrictions, or print restrictions. Breaking these restrictions might require specific software or tools, which may or may not be legal depending on the circumstances and local laws.

Find Primary Surveillance Radar Extractor Intersoft :

crypto trading tools for small business 92-1266 crypto trading trends
[ideas for entrepreneurs 92-2499 fitness routines ideas for startups](#)
entrepreneurs 92-1708 fitness routines tools for small business 92-1477
growth tools for startups 92-802 career growth trends America 92-2077
ideas trends for startups 92-1248 passive income ideas tutorial America
online business best practices for small business 92-2466 online
[marketing comparison United States 92-1658 AI marketing comparison for](#)
[92-344 AI marketing for beginners for startups 92-1381 AI marketing](#)
interview tips guide United States 92-1810 interview tips ideas USA
United States 92-103 digital marketing best practices for entrepreneurs
small business ideas best practices for creators 92-1486 small business
market case study for startups 92-152 stock market case study for
science careers ideas for entrepreneurs 92-2351 data science careers

[review United States 92-2556 VPN services roadmap USA 92-2169 VPN monetization best practices for entrepreneurs 92-765 blog monetization](#)

Primary Surveillance Radar Extractor Intersoft :

leading minds an anatomy of leadership google books - Mar 17 2023

web dec 6 2011 from a pioneering psychologist and education expert a sweeping examination of how great leaders harness the power of stories in leading minds howard e

leading minds an anatomy of leadership google books - Apr 18 2023

web jul 14 1995 leading minds an anatomy of leadership howard e gardner emma laskin basic books jul 14 1995 psychology 400 pages while much has been

leading minds an anatomy of leadership kindle edition - Feb 04 2022

[leading minds an anatomy of leadership paperback](#) - Dec 14 2022

web leading minds an anatomy of leadership leadershippsychologybusinessnonfictioneducationmanagementbiography 619 pages

[leading minds an anatomy of leadership amazon com](#) - Aug 22 2023

web leading minds an anatomy of leadership citation gardner h 1995 leading minds an anatomy of leadership basic books abstract while much has been written on the

leading minds an anatomy of leadership apa psycnet - Jun 20 2023

web jun 14 1996 leading minds an anatomy of leadership howard e gardner basic books jun 14 1996 psychology 416 pages leading minds addresses a crucial

[leading minds an anatomy of leadership gardner howard e](#) - Jul 21 2023

web dec 6 2011 he identifies six constant features of leadership as well as paradoxes that must be resolved for leadership to be effective using portraits of leaders from j robert

[leading minds an anatomy of leadership](#) - Mar 05 2022

book reviews leading minds an anatomy of leadership - May 07 2022

web jun 14 1996 he identifies six constant features of leadership as well as paradoxes that must be resolved for leadership to be effective using portraits of leaders from j robert

[leading minds an anatomy of leadership paperback](#) - Jul 09 2022

web leading minds an anatomy of leadership pdf authors howard gardner emma laskin pdf business add to wishlist share 12850 views download embed this

[leading minds an anatomy of leadership goodreads](#) - Sep 11 2022

web leading minds an anatomy of leadership gardner howard despite a rapidly changing world leadership remains crucially important in institutions ranging from schools to

leading minds an anatomy of leadership amazon com - Jan 03 2022

[leading minds an anatomy of leadership google books](#) - Feb 16 2023

web jul 14 1995 leading minds an anatomy of leadership howard gardner emma laskin harpercollins 1996 leadership 400 pages in any society only very few human

leading minds an anatomy of leadership project - Jan 15 2023

web buy leading minds an anatomy of leadership illustrated by gardner howard e isbn 9780465027736 from amazon s book store everyday low prices and free delivery on

[leading minds an anatomy of leadership paperback](#) - Oct 12 2022

web in leading minds gardner and his research associate at harvard project zero emma laskin apply a cognitive lens to leadership drawing on gardner s groundbreaking work

[leading minds an anatomy of leadership gardner](#) - Sep 23 2023

web jul 14 1995 drawing on his groundbreaking work on intelligence and creativity harvard psychologist howard gardner developer of the theory of multiple intelligences offers

leading minds gardner howard e laskin emma - Aug 10 2022

web book reviews leading minds an anatomy of leadership howard gardner new york basic books pp 400 27 50 cloth michael a genovese view all authors and affiliations

[leading minds an anatomy of leadership google books](#) - Nov 13 2022

web in leading minds gardner and his research associate at harvard project zero emma laskin apply a cognitive lens to leadership drawing on gardner s groundbreaking work

eric ed418471 leading minds an anatomy of leadership - Jun 08 2022

web dec 6 2011 leading minds an anatomy of leadership kindle edition by gardner howard e download it once and read it on your kindle device pc phones or tablets

[leading minds an anatomy of leadership google books](#) - May 19 2023

web dec 6 2011 he identifies six constant features of leadership as well as paradoxes that must be resolved for leadership to

be effective using portraits of leaders from j robert

leading minds an anatomy of leadership pdf dqt8og0qs8i0 - Apr 06 2022

understanding jurisprudence penner 2023 domainlookup org - Mar 30 2022

web mar 30 2023 understanding jurisprudence penner is available in our book collection an online access to it is set as public so you can get it instantly our digital library spans in multiple countries allowing you to get the most less latency time to download

understanding jurisprudence penner liululu net - Jan 28 2022

web understanding jurisprudence penner april 4th 2018 684 2015 40 2 queen s lj threatening to reduce property to mere nominalism 16 and its disaggregation of property 17 james penner squarely linked the dephysicalization of property with jurisprudence amp philosophy of law law trove

tureng jurisprudence türkçe İngilizce sözlük - Oct 05 2022

web comparative jurisprudence i mukayeseli hukuk bilimi law 2 hukuk medical jurisprudence i adli tıp 3 hukuk analytical jurisprudence i analitik hukuk bilimi 4 hukuk feminist jurisprudence i feminist hukuk bilimi 5 hukuk sociological jurisprudence i sosyal içerikli içtihatlar 6 hukuk sociological jurisprudence i sosyolojik

jurisprudence and its principles al islam org - Sep 04 2022

web the word jurisprudence fiqh in the terminology of the ulema two types of law types of obligation brief history of jurisprudence and jurisprudents the shi ite jurisprudents brief history of jurisprudence and jurisprudents 2 summary and review the sections and chapters of the issues of jurisprudence worship

apa itu jurisprudence business law - Aug 03 2022

web mar 11 2016 jurisprudence is a particular method of study not of the law of one country but of the general notion of law itself suri ratnapala dari universitas queensland jurisprudence 2009 mengatakan jurisprudence is about the nature of law and justice it embraces studies and theories from a range of disciplines such as history sociology

jurisprudence simple english wikipedia the free encyclopedia - Jan 08 2023

web jurisprudence is the theory and philosophy of law scholars of jurisprudence or legal philosophers hope to obtain a deeper understanding of the nature of law of legal reasoning legal systems and of legal institutions as jurisprudence has developed there are three main aspects with which scholarly writing engages natural law is the idea that

understanding jurisprudence penner crm worldmerit org - Apr 30 2022

web understanding jurisprudence penner april 30th 2018 the law of trusts by j e penner the law of trusts possible explaining from first principles what trusts is about and providing the student with an understanding hart s concept of law positivist

legal theory or

[understanding jurisprudence penner](#) - Jun 01 2022

web it is your entirely own period to do its stuff reviewing habit in the middle of guides you could enjoy now is understanding jurisprudence penner below islamic finance david eisenberg 2012 03 22 this work is a practical and commercial guide to the fundamental principles of islamic finance and their application to islamic finance transactions

[understanding jurisprudence penner](#) - Aug 15 2023

web the idea of property in law james e penner 1997 in the idea of property in law penner considers the concept of property and its place in the legal environment penner proposes that the idea of property as a bundle of rights the right to possess the right to use the right to destroy etc is deficient

[understanding jurisprudence penner orientation sutd edu sg](#) - Mar 10 2023

web understanding jurisprudence penner understanding jurisprudence an introduction to legal lloyd s introduction to jurisprudence michael freeman may 8th 2018 lloyd s introduction to jurisprudence is the leading textbook on

ebook understanding jurisprudence penner - Jul 14 2023

web legal system sociological jurisprudence may 28 2021 this book presents a unified set of arguments about the nature of jurisprudence and its relation to the jurist s role it explores contemporary challenges that create a need for social scientific perspectives in jurisprudence and it shows how sociological resources can and

understanding jurisprudence penner harvard university - Jul 02 2022

web understanding jurisprudence penner when people should go to the ebook stores search commencement by shop shelf by shelf it is truly problematic this is why we allow the ebook compilations in this website it will extremely ease you to see guide understanding jurisprudence penner as you such as

understanding jurisprudence penner lia erc gov - Apr 11 2023

web understanding jurisprudence provides an illuminating and engaging introduction to the central questions of legal theory object moved to here 184cls nature of law view bibliography recent changes mccoubrey amp white s textbook on jurisprudence j e penner understanding law jurisprudence amp philosophy of law 3 james penner

[jurisprudence wikipedia](#) - Feb 09 2023

web e jurisprudence is the philosophy and theory of law it is concerned primarily with what the law is and what it ought to be that includes questions of how persons and social relations are understood in legal terms and of the values in and of law

[understanding jurisprudence penner pdf support ortax org](#) - Jun 13 2023

web bellagio harvard guidelines on the legal parameters of slavery reproduced here for the first time takes their shared understanding of both the past and present to project a consistent interpretation of the legal definition of slavery for the

future

understanding jurisprudence penner tug do nlnetlabs nl - Dec 27 2021

web aug 7 2023 may 7th 2018 myerson denise understanding jurisprudence 2007 penner and ors jurisprudence amp legal theory commentary and materials butterworths lexis nexis 2002 drug recall lawyers penner law april 24th 2018 at penner law firm the viewer s understanding of the information on this

understanding jurisprudence penner help discoveram - Dec 07 2022

web may 23 2023 law student reader on jurisprudence penner harts theory part a this essay quoted in penner schiff and nobles jurisprudence and legal theory understanding jurisprudence an introduction to legal understanding jurisprudence penner pdf free download here mccoubrey amp white s textbook on

understanding jurisprudence penner uniport edu ng - Feb 26 2022

web jun 18 2023 mccoubrey white s textbook on jurisprudence james penner 2012 08 30 this textbook provides an introduction to and analysis of the major theories and controversies of jurisprudence

understanding jurisprudence penner book - May 12 2023

web understanding jurisprudence penner textbook on jurisprudence jul 11 2022 the law science chasm jun 29 2021 the law science chasm is a socio legal study that takes seriously the varying approaches to science that physicians and scientists use as compared to legal actors such as judges and lawyers

[understanding jurisprudence penner uniport edu ng](#) - Nov 06 2022

web jun 13 2023 perspicacity of this understanding jurisprudence penner can be taken as capably as picked to act textbook on land law judith anne mackenzie 2012 07 26 relied upon by students for over 25 years this book continues to bring an innovative practical focus to modern land law guiding the reader through real life situations to

manual 737 200 pdf aviation aircraft scribd - Aug 04 2022

web version 1 rev 0 01 03 2014 3 f for x plane aircraft reference guide the aircraft the model the aircraft modelled is a erlier 1970 s boeing 737 200 original this aircraft is equipped with pratt whitney jt8d 9 engines and original sperry sp77 autopilot there is no fmc and no gps

[boeing 737 quick reference handbook pdf download manualslib](#) - Apr 12 2023

web view and download boeing 737 quick reference handbook online 737 aircrafts pdf manual download

boeing 737 pilots notes the boeing 737 technical site - Jan 09 2023

web nov 24 2022 originals 100 200 200adv power attitude table comprehensive 737 200 maintenance notes from m ferreira all compiled from line experience maintenance manuals part 1 engine apu specs troubleshooting maintenance tips part 2 f d a p yaw damper mach trim csd fire detection electric

easa safety publications tool - Jun 02 2022

web feb 26 2009 task 28 22 00 720 805 of the boeing 737 600 700 800 900 aircraft maintenance manual amm document d633a101 revision 37 dated october 15 2008 chapter 28 section 28 22 of the boeing 737 600 700 800 900 fault isolation manual fim document

aircraft maintenance manual boeing 737 pdf course hero - Jul 03 2022

web download or read aircraft maintenance manual boeing 737 pdf ebook epub mobi page 1 page 2 aircraft maintenance manual boeing 737 aircraft maintenance manual boeing pdf aircraft maintenance manual boeing 737 c move the selector switch on the engine start module to the ign r position

boeing b 737 200 training manual le comptoir de l aviation - Dec 28 2021

web boeing b 737 200 training manual 400 00 tax included original flight manual in the form of approximately 1 800 slides published by boeing c 1970 the set which is in excellent condition consists of 13 boxes containing an average of 140 slides each more detail in the dedicated focus note quantity add to cart

boeing 737 maintenance training manual google books - Oct 06 2022

web boeing 737 maintenance training manual panel description component locator and field trip checklist author boeing company commercial airplane group maintenance training

boeing 737 200 maintenance manual pdf free pdf manuals dl manual - May 13 2023

web boeing 737 200 maintenance manual the preview only show first 10 pages of manuals please download to view the full documents loading preview please wait submitted by antonio rodriguez file size 2 2 mb file type application pdf report dmca this file

boeing 737 200 maintenance manual pdf aerospace scribd - Mar 11 2023

web boeing 737 200 maintenance manual free download as pdf file pdf text file txt or read online for free documento desarrollado para el beneficio de intelecto aeronáutico en un modelo específico

boeing 737 200 t 43a flight manuals - Sep 05 2022

web 19 examples of the 737 200 were used by the usaf as navigation trainers under the designation t 43a entering service in 1973 and finally being retired in 2010 after 37 years of service this title contains two flight manuals for the boeing 737 200 one civil and one for the military t 43a version

737 200 aircraft maintenance manual harvard university - Dec 08 2022

web 737 200 aircraft maintenance manual this is likewise one of the factors by obtaining the soft documents of this 737 200 aircraft boeing 737 graham m simons 2021 02 28 the boeing 737 is an american short to medium range twinjet narrow body

boeing 737 300 series maintenance manual pdf download - Aug 16 2023

web view and download boeing 737 300 series maintenance manual online atc system 737 300 series aircrafts pdf manual download

smiths boeing b737 100 maintenance manual supplement - Mar 31 2022

web view and download smiths boeing b737 100 maintenance manual supplement online digital fuel quantity indicators with transient suppression unit boeing b737 100 measuring instruments pdf manual download also for boeing b737 200 boeing b737 300 boeing b737 400 boeing b737 500

aircraft maintenance manual boeing 737 documentation - Jun 14 2023

web aircraft maintenance manual boeing 737 documentation 05 time limits 06 dimensions and areas 07 lifting and shoring 08 leveling and weighing 10 parking and mooring 11 placards and markings 12 servicing 20 standard practices 21 air conditioning 22 autoflight 23

boeing 777 200 maintenance manual pdf download manualslib - Feb 27 2022

web view and download boeing 777 200 maintenance manual online chapter 32 landing gear 777 200 aircrafts pdf manual download also for 777 300

boeing 737 aircraft maintenance manual by mor19141 issuu - Jan 29 2022

web jan 23 2018 get boeing 737 aircraft maintenance manual pdf file for free from our online library boeing 737 aircraft maintenance manual this particular document discuss about the topic of boeing 737

boeing 737 200 maintenance manuals august 2007 wikileaks - Jul 15 2023

web summary proprietary boeing 737 200 maintenance manuals august 2007 version according to the list on the specialist site b737 org uk the boeing 737 family has had 136 aircraft write offs severe crashes killing over a thousand people

maintenance training the boeing company - May 01 2022

web this course satisfies the category b1 b2 type training requirement as specified in part 66 for licensed aircraft maintenance engineers required to exercise certification privileges within a part 145 approved maintenance organization this course prepares the student to use the 787 structural repair manual srm to find 787 composite repair data

[internet archive view archive](#) - Feb 10 2023

web oct 28 2008 listing of boeing 737 maintenance manual 2007 zip file as jpg timestamp size amm 737 200 orginal 2009 12 09 21 02 amm 737 200 orginal td data 1 e 2009 12 09 21 02 amm 737 200 orginal td data 1 e 737 12 arg amm d6 12030 td 2009 12 09 21 02 amm 737 200 orginal td data 1 e 737 12 arg amm d6

proceduresinspection updates to 737 the boeing - Nov 07 2022

web boeing supplements the standard procedures in its aircraft maintenance manuals amm with conditional maintenance inspection procedures these procedures address unscheduled maintenance situations that result from non normal flight and

landing conditions the procedures are continually being updated to standardize inspection