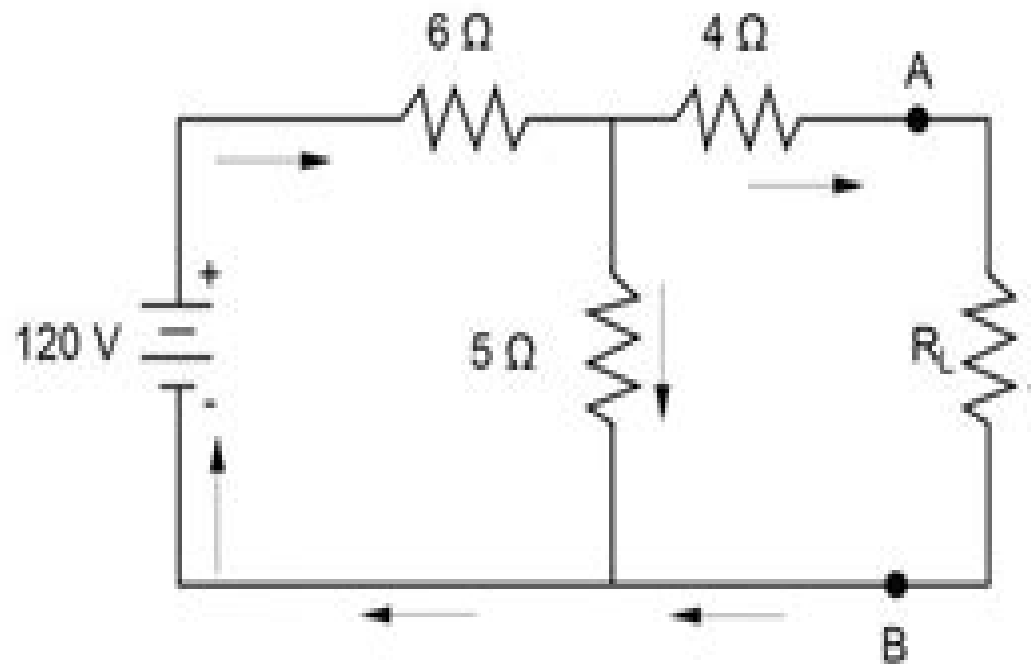


Find the Thevenin equivalent voltage and resistance for the following circuit. The load resistance is shown as R_L .



(a) $V_{TH} = 45.5 \text{ V}; R_{TH} = 6.7 \Omega$

(b) $V_{TH} = 54.5 \text{ V}; R_{TH} = 6.7 \Omega$

(c) $V_{TH} = 45.4 \text{ V}; R_{TH} = 9 \Omega$

(d) $V_{TH} = 54.5 \text{ V}; R_{TH} = 9 \Omega$

Circuit Analysis Practice Exam

Richard C. Dorf, James A. Svoboda



Circuit Analysis Practice Exam:

Whispering the Strategies of Language: An Psychological Quest through **Circuit Analysis Practice Exam**

In a digitally-driven world wherever screens reign supreme and immediate interaction drowns out the subtleties of language, the profound secrets and mental subtleties hidden within phrases frequently get unheard. However, situated within the pages of **Circuit Analysis Practice Exam** a fascinating fictional value blinking with natural thoughts, lies an exceptional quest waiting to be undertaken. Composed by an experienced wordsmith, this enchanting opus attracts visitors on an introspective journey, gently unraveling the veiled truths and profound impact resonating within the cloth of each word. Within the emotional depths with this touching evaluation, we can embark upon a sincere exploration of the book is primary subjects, dissect their interesting publishing type, and yield to the effective resonance it evokes deep within the recesses of readers hearts.

https://py.bijouxmedusa.com/public/browse/index.jsp/dieta_de_la_luna_2018_fechas_y_horarios_para_hacer_la_dieta.pdf

Table of Contents Circuit Analysis Practice Exam

1. Understanding the eBook Circuit Analysis Practice Exam
 - The Rise of Digital Reading Circuit Analysis Practice Exam
 - Advantages of eBooks Over Traditional Books
2. Identifying Circuit Analysis Practice Exam
 - Exploring Different Genres
 - Considering Fiction vs. Non-Fiction
 - Determining Your Reading Goals
3. Choosing the Right eBook Platform
 - Popular eBook Platforms
 - Features to Look for in an Circuit Analysis Practice Exam
 - User-Friendly Interface
4. Exploring eBook Recommendations from Circuit Analysis Practice Exam
 - Personalized Recommendations

- Circuit Analysis Practice Exam User Reviews and Ratings
- Circuit Analysis Practice Exam and Bestseller Lists
- 5. Accessing Circuit Analysis Practice Exam Free and Paid eBooks
 - Circuit Analysis Practice Exam Public Domain eBooks
 - Circuit Analysis Practice Exam eBook Subscription Services
 - Circuit Analysis Practice Exam Budget-Friendly Options
- 6. Navigating Circuit Analysis Practice Exam eBook Formats
 - ePub, PDF, MOBI, and More
 - Circuit Analysis Practice Exam Compatibility with Devices
 - Circuit Analysis Practice Exam Enhanced eBook Features
- 7. Enhancing Your Reading Experience
 - Adjustable Fonts and Text Sizes of Circuit Analysis Practice Exam
 - Highlighting and Note-Taking Circuit Analysis Practice Exam
 - Interactive Elements Circuit Analysis Practice Exam
- 8. Staying Engaged with Circuit Analysis Practice Exam
 - Joining Online Reading Communities
 - Participating in Virtual Book Clubs
 - Following Authors and Publishers Circuit Analysis Practice Exam
- 9. Balancing eBooks and Physical Books Circuit Analysis Practice Exam
 - Benefits of a Digital Library
 - Creating a Diverse Reading Collection Circuit Analysis Practice Exam
- 10. Overcoming Reading Challenges
 - Dealing with Digital Eye Strain
 - Minimizing Distractions
 - Managing Screen Time
- 11. Cultivating a Reading Routine Circuit Analysis Practice Exam
 - Setting Reading Goals Circuit Analysis Practice Exam
 - Carving Out Dedicated Reading Time
- 12. Sourcing Reliable Information of Circuit Analysis Practice Exam
 - Fact-Checking eBook Content of Circuit Analysis Practice Exam

- Distinguishing Credible Sources
- 13. Promoting Lifelong Learning
 - Utilizing eBooks for Skill Development
 - Exploring Educational eBooks
- 14. Embracing eBook Trends
 - Integration of Multimedia Elements
 - Interactive and Gamified eBooks

Circuit Analysis Practice Exam Introduction

Free PDF Books and Manuals for Download: Unlocking Knowledge at Your Fingertips In today's fast-paced digital age, obtaining valuable knowledge has become easier than ever. Thanks to the internet, a vast array of books and manuals are now available for free download in PDF format. Whether you are a student, professional, or simply an avid reader, this treasure trove of downloadable resources offers a wealth of information, conveniently accessible anytime, anywhere. The advent of online libraries and platforms dedicated to sharing knowledge has revolutionized the way we consume information. No longer confined to physical libraries or bookstores, readers can now access an extensive collection of digital books and manuals with just a few clicks. These resources, available in PDF, Microsoft Word, and PowerPoint formats, cater to a wide range of interests, including literature, technology, science, history, and much more. One notable platform where you can explore and download free Circuit Analysis Practice Exam PDF books and manuals is the internet's largest free library. Hosted online, this catalog compiles a vast assortment of documents, making it a veritable goldmine of knowledge. With its easy-to-use website interface and customizable PDF generator, this platform offers a user-friendly experience, allowing individuals to effortlessly navigate and access the information they seek. The availability of free PDF books and manuals on this platform demonstrates its commitment to democratizing education and empowering individuals with the tools needed to succeed in their chosen fields. It allows anyone, regardless of their background or financial limitations, to expand their horizons and gain insights from experts in various disciplines. One of the most significant advantages of downloading PDF books and manuals lies in their portability. Unlike physical copies, digital books can be stored and carried on a single device, such as a tablet or smartphone, saving valuable space and weight. This convenience makes it possible for readers to have their entire library at their fingertips, whether they are commuting, traveling, or simply enjoying a lazy afternoon at home. Additionally, digital files are easily searchable, enabling readers to locate specific information within seconds. With a few keystrokes, users can search for keywords, topics, or phrases, making research and finding relevant information a breeze. This efficiency saves time and effort, streamlining the learning process and allowing individuals to focus on extracting the

information they need. Furthermore, the availability of free PDF books and manuals fosters a culture of continuous learning. By removing financial barriers, more people can access educational resources and pursue lifelong learning, contributing to personal growth and professional development. This democratization of knowledge promotes intellectual curiosity and empowers individuals to become lifelong learners, promoting progress and innovation in various fields. It is worth noting that while accessing free Circuit Analysis Practice Exam PDF books and manuals is convenient and cost-effective, it is vital to respect copyright laws and intellectual property rights. Platforms offering free downloads often operate within legal boundaries, ensuring that the materials they provide are either in the public domain or authorized for distribution. By adhering to copyright laws, users can enjoy the benefits of free access to knowledge while supporting the authors and publishers who make these resources available. In conclusion, the availability of Circuit Analysis Practice Exam free PDF books and manuals for download has revolutionized the way we access and consume knowledge. With just a few clicks, individuals can explore a vast collection of resources across different disciplines, all free of charge. This accessibility empowers individuals to become lifelong learners, contributing to personal growth, professional development, and the advancement of society as a whole. So why not unlock a world of knowledge today? Start exploring the vast sea of free PDF books and manuals waiting to be discovered right at your fingertips.

FAQs About Circuit Analysis Practice Exam Books

1. Where can I buy Circuit Analysis Practice Exam books? Bookstores: Physical bookstores like Barnes & Noble, Waterstones, and independent local stores. Online Retailers: Amazon, Book Depository, and various online bookstores offer a wide range of books in physical and digital formats.
2. What are the different book formats available? Hardcover: Sturdy and durable, usually more expensive. Paperback: Cheaper, lighter, and more portable than hardcovers. E-books: Digital books available for e-readers like Kindle or software like Apple Books, Kindle, and Google Play Books.
3. How do I choose a Circuit Analysis Practice Exam book to read? Genres: Consider the genre you enjoy (fiction, non-fiction, mystery, sci-fi, etc.). Recommendations: Ask friends, join book clubs, or explore online reviews and recommendations. Author: If you like a particular author, you might enjoy more of their work.
4. How do I take care of Circuit Analysis Practice Exam books? Storage: Keep them away from direct sunlight and in a dry environment. Handling: Avoid folding pages, use bookmarks, and handle them with clean hands. Cleaning: Gently dust the covers and pages occasionally.

5. Can I borrow books without buying them? Public Libraries: Local libraries offer a wide range of books for borrowing. Book Swaps: Community book exchanges or online platforms where people exchange books.
6. How can I track my reading progress or manage my book collection? Book Tracking Apps: Goodreads, LibraryThing, and Book Catalogue are popular apps for tracking your reading progress and managing book collections. Spreadsheets: You can create your own spreadsheet to track books read, ratings, and other details.
7. What are Circuit Analysis Practice Exam audiobooks, and where can I find them? Audiobooks: Audio recordings of books, perfect for listening while commuting or multitasking. Platforms: Audible, LibriVox, and Google Play Books offer a wide selection of audiobooks.
8. How do I support authors or the book industry? Buy Books: Purchase books from authors or independent bookstores. Reviews: Leave reviews on platforms like Goodreads or Amazon. Promotion: Share your favorite books on social media or recommend them to friends.
9. Are there book clubs or reading communities I can join? Local Clubs: Check for local book clubs in libraries or community centers. Online Communities: Platforms like Goodreads have virtual book clubs and discussion groups.
10. Can I read Circuit Analysis Practice Exam books for free? Public Domain Books: Many classic books are available for free as they're in the public domain. Free E-books: Some websites offer free e-books legally, like Project Gutenberg or Open Library.

Find Circuit Analysis Practice Exam :

dieta de la luna 2018 fechas y horarios para hacer la dieta

[deutsch urdu wörterbuch](#)

[detroit diesel engine diagram dd15 sensor location](#)

[dicionario ingles portugues com pronuncia escrita](#)

[disaster in education unesco](#)

differential equations and linear algebra 4th edition

digital signal processing 4th edition pearson free

designing b2b brands lessons from deloitte and 195 000 brand managers

diploma in civil engineering 3rd sem syllabus

diplomacy henry kissinger epub ebook book read

diploma computer engineering mcq pdf

deskripsi tanaman kembang sepatu

digi 56 72 pdf

detyre kursi ne matematike

diploma 5th sem mechanical thermal engineering

Circuit Analysis Practice Exam :

seba hslc exam routine 2024 assam class 10th - Jun 05 2023

web oct 10 2023 assam hslc exams 2024 the board of secondary education assam seba has announced the assam hslc exam dates 2024 as per the announced

seba hslc routine 2024 assam class 10th exam routine - Aug 27 2022

web oct 9 2023       telegram   join   detailed hslc exam routine 2024 please note subjects marked with an asterisk will have a time

seba hslc exam routine 2024 assam class 10 exam routine - Dec 19 2021

assam class 12 pre final exam 2024 in december subject - Dec 31 2022

web oct 9 2023 the secondary education board of assam seba on 09th october 2023 monday released the official routine for the high school leaving certificate hslc

secondary education board of assam seba - Oct 09 2023

web welcome to seba the assam secondary education act 1961 assam act xxv of 1961 was passed to provide for the establishment of a board of secondary education to

hslc assam exam exam routine dates syllabus and more - Sep 08 2023

web october 11 2023 hello my wonderful readers welcome to our comprehensive guide on the hslc assam exam this article explores assam s hslc high school leaving

assam hslc board 2024 exam dates routine out - Mar 02 2023

web nov 5 2023 the class 10 exams will be held in two shifts morning shift from 9 am to 12 pm and the afternoon shift from 1 30 pm to 4 30 pm assam hslc routine 2024 for

seba hslc routine 2024 hslc class 10th time table - Apr 22 2022

web oct 11 2023 the seba class 10th hslc exam 2024 will take place between february 16 and march 4 2024 seba hslc exam routine 2024 the schedule for the high school

assam hslc routine 2024 check seba hslc exam 2024 - Nov 29 2022

web the board of secondary education assam has published the assam hslc exam routine 2024 as per the latest notification the theory exams are set to begin on 16 feb 2024

[seba hslc routine 2024 assam class 10th seba](#) - Apr 03 2023

web nov 4 2023 the practical exam will be held on february 2024 they will get the hslc exam routine 2024 pdf from the official website sebaonline.org students may also

[assam hslc exam dates 2023 out check assam hslc](#) - Oct 17 2021

[assam hslc routine 2024 out seba class 10th time table](#) - Sep 27 2022

web oct 11 2023 board of secondary education assam has released the class 10 timetable for the board exams 2024 as per the timetable the exams will begin from february 16

[assam hslc routine 2024 pdf out check seba hslc](#) - Oct 29 2022

web oct 10 2023 assam hslc routine 2024 pdf download the board of secondary education assam has released the class 10th theory and practical exam dates today

[download assam hslc exam routine 2024 thejobinassam in](#) - Nov 17 2021

[assam hslc routine 2024 released check seba hslc](#) - Feb 18 2022

web may 22 2023 hslc routine 2023 assam seba has been released in the form of a pdf file containing the subject name exam date and time assam hslc exam date 2023

assam hslc exam routine 2024 released by seba download - May 04 2023

web 2 days ago class 12 board exam 2024 assam schools have been directed to prepare the assam hs pre final exam time table subject wise question paper and issue admit card

assam hslc exam routine 2024 released exams from february - Mar 22 2022

web oct 9 2023 assam hslc exam routine 2024 assam hslc exam routine 2024 has been released the exam will get start from february 16th 2024 to march 4th 2024 the

[assam hslc exam 2024 routine syllabus admit](#) - Aug 07 2023

web aug 11 2018 students who have passed class 9 are eligible to appear for the assam hslc exam 2024 more about assam hslc exams 2024 the assam hslc time

[assam hslc exam routine 2024 released by seba download](#) - May 24 2022

web oct 13 2023 assam hslc routine 2024 exam conducting body secondary education board assam seba exam name high school leaving certificate hslc category

[assam hslc routine 2024 released seba 10th exam from](#) - Jun 24 2022

web assam hslc board exam dates 2024 board of secondary education assam has released the seba hslc exam routine 2024 the exams are set to be conducted from

assam hslc 2020 routine announced check exam - Feb 01 2023

web oct 10 2023 assam hslc routine 2024 out board of secondary education assam seba has released the board exam date sheet 2023 24 on its official website at

[assam hslc exam routine 2024 exam dates released](#) - Jul 26 2022

web oct 10 2023 new delhi the secondary education board assam seba has released the datesheet for class 10 exams 2024 for theory and practical subjects assam hslc

assam hslc routine 2024 pdf released schools - Jul 06 2023

web oct 10 2023 board of secondary education assam has released the class 10 timetable for the board exams 2024 according to the timetable released the exams will begin

[assam hslc routine 2024 check seba class 10th date sheet](#) - Jan 20 2022

building structures 3rd ed by james ambrose ebook - Dec 26 2021

web for more information about wiley products visit our web site at wiley com library of congress cataloging in publication data ambrose james e building

[design of building trusses ambrose james e archive org](#) - Jan 27 2022

web about this book the comprehensive reference on the basics of structural analysis and design now updated with the latest considerations of building technology structural

building structures james ambrose patrick tripeny - Jul 13 2023

web oct 18 2011 the comprehensive reference on the basics of structural analysis and design now updated with the latest considerations of building technology structural

[building structures edition 3 by james ambrose patrick tripeny](#) - Aug 02 2022

web arama yapmak istediğiniz kategoriye seçin

simplified design of building structures james ambrose - Nov 05 2022

web feb 16 1993 designed as a primer to building basics the book features a list of key terms and concepts review questions and exercises as well as hundreds of drawings and

building structures ambrose james tripeny patrick - Jul 01 2022

web bir james ambrose eseri olan building structures e kitap olarak en cazip fiyat ile d r de keşfetmek için hemen tıklayınız

building structures 2nd edition ambrose james - Oct 04 2022

web jul 6 1988 fine homebuilding beginning with the materials of the ancients wood stone and brick this important work is a guide to the structural systems that have made these

building structures e kitap james ambrose pdf d r - Apr 29 2022

web dec 7 2022 building structures primer by james e ambrose 1981 wiley edition in english 2nd ed

building structures by james ambrose goodreads - Sep 03 2022

web 10 18 2011 publisher wiley building structures edition 3 by james ambrose patrick tripeny write a review hardcover view all available formats editions buy new

building structures pdf free download - Oct 24 2021

building structures primer by james e ambrose open library - Feb 25 2022

web the comprehensive reference on the basics of structural analysis and design now updated with the latest considerations of building technology structural design is an essential

building structures by james ambrose open library - Dec 06 2022

web oct 20 1995 james ambrose john wiley sons oct 20 1995 technology engineering 288 pages this book is full of examples of what designers can do once

building structures ambrose james e free download - Apr 10 2023

web presents a comprehensive development of the topic of building structures covering basic concepts and analytic fundamentals to the design of a complete structural system for a

building structures by james ambrose patrick tripeny scribd - Mar 29 2022

web design of building trusses by ambrose james e publication date 1994 topics roof trusses design and construction publisher new york j wiley collection inlibrary

building structures james e ambrose google books - Aug 14 2023

web fine homebuilding beginning with the materials of the ancients wood stone and brick this important work is a guide to the structural systems that have made these

building structures james ambrose google books - Feb 08 2023

web oct 18 2011 most texts on structures for architects focus narrowly on the mathematical analysis of isolated structural components yet building structures looks at the

building structures james ambrose google books - Mar 09 2023

web mar 2 1993 fine homebuilding beginning with the materials of the ancients wood stone and brick this important work is

a guide to the structural systems that have

building structures ambrose james e free download - May 11 2023

web may 19 2021 building structures by ambrose james e publication date 1988 topics structural design structural analysis engineering publisher new york wiley

building structures primer ambrose james e archive org - Sep 22 2021

building structures tripeny patrick ambrose james - Jan 07 2023

web nov 3 2021 building structures by james ambrose patrick tripeny 2012 wiley sons incorporated john edition in english simplified design of building structures ambrose - May 31 2022

web building structures show full title by james ambrose and patrick tripeny 4 5 5 2 ratings about this ebook the comprehensive reference on the basics of structural

simplified design of building structures ambrose - Jun 12 2023

web apr 6 2022 looking at the role of the structure as a building subsystem it offers the fundamentals of computational methods for design of wood steel and reinforced

pdf building structures by james ambrose ebook perlego - Nov 24 2021

web building structures primer by ambrose james e publication date 1981 topics structural engineering publisher new york wiley collection inlibrary printdisabled

engineering drawing and graphics technology solution - Jun 02 2022

web engineering graphics providing engineering and technology students a strong foundation in graphics methods through visualization drawing drafting cad software and 3 d modeling

engineering drawing and graphic technology solutions manual - Apr 12 2023

web buy engineering drawing and graphic technology solutions manual by thomas e french charles john vierck robert j foster online at alibris we have new and used copies available in 1 editions starting at shop now

engineering drawing and graphics technology solution manual - Jul 03 2022

web aug 2 2023 engineering drawing and graphics technology solution manual 2 4 downloaded from uniport edu ng on august 2 2023 by guest coverage of civil drafting 3d cadd solid modeling parametric applications and more important notice media content referenced within the product description or the product text may not be available in the

engineering drawing and graphics technology solution pdf - Jan 29 2022

web engineering drawing and graphics technology solution 1 engineering drawing and graphics technology solution as recognized adventure as without difficulty as experience about lesson amusement as competently as arrangement can be

gotten by just checking out a books engineering drawing and graphics technology solution then

solution for engineering drawing manual pdf stats ijm - Dec 28 2021

web solution for engineering drawing manual recognizing the showing off ways to acquire this books solution for engineering drawing manual is additionally useful you have remained in right site to begin getting this info acquire the solution for engineering drawing manual belong to that we provide here and check out the link

technical drawing with engineering graphics solution manual - Feb 27 2022

web jan 26 2023 we have engineering graphics solutions manual txt doc epub pdf djvu formats we will be happy if you return to us anew solutions manual engineering graphics william perkins spence on amazon com free shipping on qualifying offers technical drawing with engineering graphics solutions manual select your edition

design handbook engineering drawing and sketching - Aug 04 2022

web to prepare a drawing one can use manual drafting instruments figure 12 or computer aided drafting or design or cad the basic drawing standards and conventions are the same regardless of what design tool you use to make the drawings in learning drafting we will approach it from the perspective of manual drafting

mechanical drafting engineering drawing complete syllabus - May 01 2022

web jun 9 2014 this will be initial point p 2 mark 5 mm distance to its right side name those points 1 2 3 4 and from those draw lines parallel to ab 3 mark 5 mm distance to its left of p and name it 1 4 take f 1 distance as radius and f as center draw an arc cutting first parallel line to ab

engineering graphics design manual 3110013 - Oct 06 2022

web course outcome after learning the course the students will be able to understand the standards and common cases as well as dimensioning in technical drawings development able to develop multi aspect sketches sectional views and geometries of the development of design projects

fundamentals of engineering drawing and graphic technology - Nov 07 2022

web graphic science and design thomas ewing french graphic science and design thomas ewing french 9780070223073 books amazon ca amazon ca try primebooks

engineeringdrawingandgraphicstechnologysolution - Sep 05 2022

web visualization modeling and graphics for engineering design teacher s manual and solutions to accompany engineering drawing and graphic technology 12th ed fundamentals of engineering drawing and graphic technology 4th ed *engineering drawing and graphic technology solutions manual* - Mar 11 2023

web may 1 1993 buy engineering drawing and graphic technology solutions manual by thomas e french charles john vierck from waterstones today click and collect from your local waterstones or get free uk delivery on orders over 25

[engineering drawing and graphics technology solution d v](#) - Feb 10 2023

web teacher s manual and solutions to accompany engineering drawing and graphic technology 12th ed fundamentals of engineering drawing and graphic technology 4th ed and problem workbook charles j vierck 1978 engineering graphics problems book arvid r eide 1985 engineering drawing and design david a madsen 2012 08

[engineering drawing and graphic technology solutions manual](#) - May 13 2023

web get instant access to our step by step engineering drawing and graphic technology solutions manual our solution manuals are written by chegg experts so you can be assured of the highest quality

engineering graphics practice manual mrcet - Aug 16 2023

web engineering graphics course objectives 1 learn to sketch and take field dimensions 2 learn to take data and transform it into graphic drawings 3 learn basic engineering drawing formats unit t i introduction to engineering drawing principles of engineering drawing graphics t various

pdf workbook on basic engineering drawing researchgate - Dec 08 2022

web jan 29 2019 abstract this workbook has evolved from the author s previous published book entitle fundamental of engineering drawing a workbook in this revised edition new problems are added

engineering drawing and design solutions manual - Jun 14 2023

web sep 28 2022 engineering drawing and design solutions manual madsen david a free download borrow and streaming internet archive

engineering graphics by nd bhatt solution manual google docs - Jul 15 2023

web download engineering drawing by nd bhatt drawing and graphics technology solution manual solution manual for higher engineering mathematics bv ramana drawing describing any

[engineering drawing and graphics technology solution manual](#) - Mar 31 2022

web aug 9 2023 engineering drawing and graphics technology solution manual 1 6 downloaded from uniport edu ng on august 9 2023 by guest engineering drawing and graphics technology solution manual if you ally need such a referred engineering drawing and graphics technology solution manual book that will

[manual of engineering drawing sciencedirect](#) - Jan 09 2023

web abstract this chapter covers all aspects of engineering diagrams from a basic block diagram through to the presentation of complex systems as drawings and on to full circuit design heating ventilation and air conditioning hydraulic pneumatic electronic refrigeration and energy saving systems are covered