

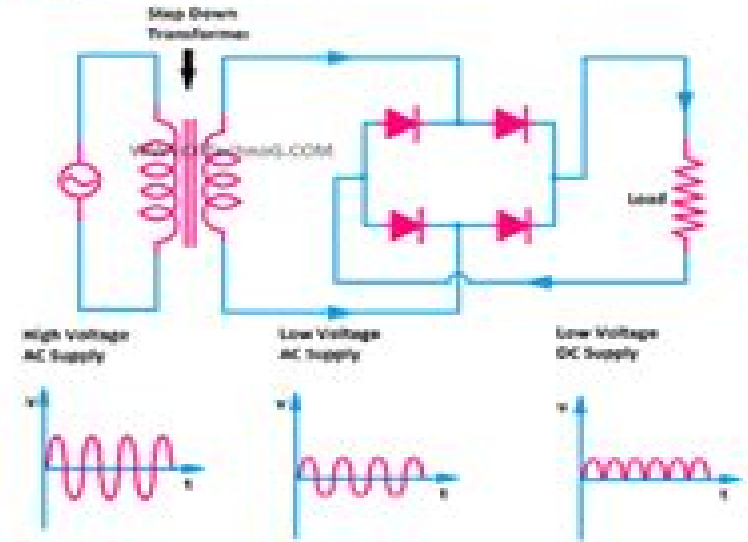
Important Electronic Circuits

Electronics



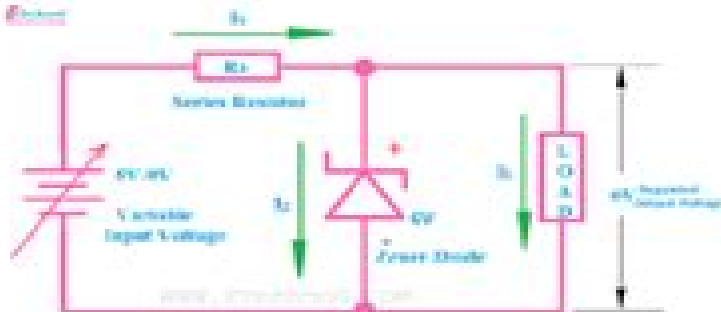
Important Electronic Circuit 1 : Half Wave Rectifier

Electronics



Important Electronic Circuit 2 : Full Wave Rectifier

Electronics



Important Electronic Circuit 3 : Voltage Regulator



Important Electronic Circuit 4 : Filter Circuit

Circuit Diagram Guide

United States. War Dept



Circuit Diagram Guide:

This book delves into Circuit Diagram Guide. Circuit Diagram Guide is an essential topic that must be grasped by everyone, from students and scholars to the general public. The book will furnish comprehensive and in-depth insights into Circuit Diagram Guide, encompassing both the fundamentals and more intricate discussions.

1. The book is structured into several chapters, namely:

- Chapter 1: Introduction to Circuit Diagram Guide
- Chapter 2: Essential Elements of Circuit Diagram Guide
- Chapter 3: Circuit Diagram Guide in Everyday Life
- Chapter 4: Circuit Diagram Guide in Specific Contexts
- Chapter 5: Conclusion

2. In chapter 1, this book will provide an overview of Circuit Diagram Guide. The first chapter will explore what Circuit Diagram Guide is, why Circuit Diagram Guide is vital, and how to effectively learn about Circuit Diagram Guide.

3. In chapter 2, this book will delve into the foundational concepts of Circuit Diagram Guide. The second chapter will elucidate the essential principles that must be understood to grasp Circuit Diagram Guide in its entirety.

4. In chapter 3, the author will examine the practical applications of Circuit Diagram Guide in daily life. This chapter will showcase real-world examples of how Circuit Diagram Guide can be effectively utilized in everyday scenarios.

5. In chapter 4, the author will scrutinize the relevance of Circuit Diagram Guide in specific contexts. This chapter will explore how Circuit Diagram Guide is applied in specialized fields, such as education, business, and technology.

6. In chapter 5, this book will draw a conclusion about Circuit Diagram Guide. The final chapter will summarize the key points that have been discussed throughout the book.

The book is crafted in an easy-to-understand language and is complemented by engaging illustrations. It is highly recommended for anyone seeking to gain a comprehensive understanding of Circuit Diagram Guide.

<https://py.bijouxmedusa.com/data/browse/Documents/Entrepreneurs%2066%202682%20Parenting%20Tips%20Tips%20America%2066%202393%20Parenting%20Tips.pdf>

Table of Contents Circuit Diagram Guide

1. Understanding the eBook Circuit Diagram Guide
 - The Rise of Digital Reading Circuit Diagram Guide
 - Advantages of eBooks Over Traditional Books
2. Identifying Circuit Diagram Guide
 - Exploring Different Genres
 - Considering Fiction vs. Non-Fiction
 - Determining Your Reading Goals
3. Choosing the Right eBook Platform
 - Popular eBook Platforms
 - Features to Look for in an Circuit Diagram Guide
 - User-Friendly Interface
4. Exploring eBook Recommendations from Circuit Diagram Guide
 - Personalized Recommendations
 - Circuit Diagram Guide User Reviews and Ratings
 - Circuit Diagram Guide and Bestseller Lists
5. Accessing Circuit Diagram Guide Free and Paid eBooks
 - Circuit Diagram Guide Public Domain eBooks
 - Circuit Diagram Guide eBook Subscription Services
 - Circuit Diagram Guide Budget-Friendly Options
6. Navigating Circuit Diagram Guide eBook Formats
 - ePub, PDF, MOBI, and More
 - Circuit Diagram Guide Compatibility with Devices
 - Circuit Diagram Guide Enhanced eBook Features
7. Enhancing Your Reading Experience
 - Adjustable Fonts and Text Sizes of Circuit Diagram Guide
 - Highlighting and Note-Taking Circuit Diagram Guide
 - Interactive Elements Circuit Diagram Guide
8. Staying Engaged with Circuit Diagram Guide

- Joining Online Reading Communities
 - Participating in Virtual Book Clubs
 - Following Authors and Publishers Circuit Diagram Guide
9. Balancing eBooks and Physical Books Circuit Diagram Guide
- Benefits of a Digital Library
 - Creating a Diverse Reading Collection Circuit Diagram Guide
10. Overcoming Reading Challenges
- Dealing with Digital Eye Strain
 - Minimizing Distractions
 - Managing Screen Time
11. Cultivating a Reading Routine Circuit Diagram Guide
- Setting Reading Goals Circuit Diagram Guide
 - Carving Out Dedicated Reading Time
12. Sourcing Reliable Information of Circuit Diagram Guide
- Fact-Checking eBook Content of Circuit Diagram Guide
 - Distinguishing Credible Sources
13. Promoting Lifelong Learning
- Utilizing eBooks for Skill Development
 - Exploring Educational eBooks
14. Embracing eBook Trends
- Integration of Multimedia Elements
 - Interactive and Gamified eBooks

Circuit Diagram Guide Introduction

In today's digital age, the availability of Circuit Diagram Guide books and manuals for download has revolutionized the way we access information. Gone are the days of physically flipping through pages and carrying heavy textbooks or manuals. With just a few clicks, we can now access a wealth of knowledge from the comfort of our own homes or on the go. This article will explore the advantages of Circuit Diagram Guide books and manuals for download, along with some popular platforms that offer these resources. One of the significant advantages of Circuit Diagram Guide books and manuals for download is the cost-saving aspect. Traditional books and manuals can be costly, especially if you need to purchase several of them for

educational or professional purposes. By accessing Circuit Diagram Guide versions, you eliminate the need to spend money on physical copies. This not only saves you money but also reduces the environmental impact associated with book production and transportation. Furthermore, Circuit Diagram Guide books and manuals for download are incredibly convenient. With just a computer or smartphone and an internet connection, you can access a vast library of resources on any subject imaginable. Whether you're a student looking for textbooks, a professional seeking industry-specific manuals, or someone interested in self-improvement, these digital resources provide an efficient and accessible means of acquiring knowledge. Moreover, PDF books and manuals offer a range of benefits compared to other digital formats. PDF files are designed to retain their formatting regardless of the device used to open them. This ensures that the content appears exactly as intended by the author, with no loss of formatting or missing graphics. Additionally, PDF files can be easily annotated, bookmarked, and searched for specific terms, making them highly practical for studying or referencing. When it comes to accessing Circuit Diagram Guide books and manuals, several platforms offer an extensive collection of resources. One such platform is Project Gutenberg, a nonprofit organization that provides over 60,000 free eBooks. These books are primarily in the public domain, meaning they can be freely distributed and downloaded. Project Gutenberg offers a wide range of classic literature, making it an excellent resource for literature enthusiasts. Another popular platform for Circuit Diagram Guide books and manuals is Open Library. Open Library is an initiative of the Internet Archive, a non-profit organization dedicated to digitizing cultural artifacts and making them accessible to the public. Open Library hosts millions of books, including both public domain works and contemporary titles. It also allows users to borrow digital copies of certain books for a limited period, similar to a library lending system. Additionally, many universities and educational institutions have their own digital libraries that provide free access to PDF books and manuals. These libraries often offer academic texts, research papers, and technical manuals, making them invaluable resources for students and researchers. Some notable examples include MIT OpenCourseWare, which offers free access to course materials from the Massachusetts Institute of Technology, and the Digital Public Library of America, which provides a vast collection of digitized books and historical documents. In conclusion, Circuit Diagram Guide books and manuals for download have transformed the way we access information. They provide a cost-effective and convenient means of acquiring knowledge, offering the ability to access a vast library of resources at our fingertips. With platforms like Project Gutenberg, Open Library, and various digital libraries offered by educational institutions, we have access to an ever-expanding collection of books and manuals. Whether for educational, professional, or personal purposes, these digital resources serve as valuable tools for continuous learning and self-improvement. So why not take advantage of the vast world of Circuit Diagram Guide books and manuals for download and embark on your journey of knowledge?

FAQs About Circuit Diagram Guide Books

How do I know which eBook platform is the best for me? Finding the best eBook platform depends on your reading preferences and device compatibility. Research different platforms, read user reviews, and explore their features before making a choice. Are free eBooks of good quality? Yes, many reputable platforms offer high-quality free eBooks, including classics and public domain works. However, make sure to verify the source to ensure the eBook credibility. Can I read eBooks without an eReader? Absolutely! Most eBook platforms offer webbased readers or mobile apps that allow you to read eBooks on your computer, tablet, or smartphone. How do I avoid digital eye strain while reading eBooks? To prevent digital eye strain, take regular breaks, adjust the font size and background color, and ensure proper lighting while reading eBooks. What the advantage of interactive eBooks? Interactive eBooks incorporate multimedia elements, quizzes, and activities, enhancing the reader engagement and providing a more immersive learning experience. Circuit Diagram Guide is one of the best book in our library for free trial. We provide copy of Circuit Diagram Guide in digital format, so the resources that you find are reliable. There are also many Ebooks of related with Circuit Diagram Guide. Where to download Circuit Diagram Guide online for free? Are you looking for Circuit Diagram Guide PDF? This is definitely going to save you time and cash in something you should think about. If you trying to find then search around for online. Without a doubt there are numerous these available and many of them have the freedom. However without doubt you receive whatever you purchase. An alternate way to get ideas is always to check another Circuit Diagram Guide. This method for see exactly what may be included and adopt these ideas to your book. This site will almost certainly help you save time and effort, money and stress. If you are looking for free books then you really should consider finding to assist you try this. Several of Circuit Diagram Guide are for sale to free while some are payable. If you arent sure if the books you would like to download works with for usage along with your computer, it is possible to download free trials. The free guides make it easy for someone to free access online library for download books to your device. You can get free download on free trial for lots of books categories. Our library is the biggest of these that have literally hundreds of thousands of different products categories represented. You will also see that there are specific sites catered to different product types or categories, brands or niches related with Circuit Diagram Guide. So depending on what exactly you are searching, you will be able to choose e books to suit your own need. Need to access completely for Campbell Biology Seventh Edition book? Access Ebook without any digging. And by having access to our ebook online or by storing it on your computer, you have convenient answers with Circuit Diagram Guide To get started finding Circuit Diagram Guide, you are right to find our website which has a comprehensive collection of books online. Our library is the biggest of these that have literally hundreds of thousands of different products represented. You will also see that there are specific sites catered to different categories or niches related with Circuit Diagram Guide So depending on what exactly you are searching, you will be able to choose ebook to suit your own need. Thank you for reading Circuit

Diagram Guide. Maybe you have knowledge that, people have search numerous times for their favorite readings like this Circuit Diagram Guide, but end up in harmful downloads. Rather than reading a good book with a cup of coffee in the afternoon, instead they juggled with some harmful bugs inside their laptop. Circuit Diagram Guide is available in our book collection an online access to it is set as public so you can download it instantly. Our digital library spans in multiple locations, allowing you to get the most less latency time to download any of our books like this one. Merely said, Circuit Diagram Guide is universally compatible with any devices to read.

Find Circuit Diagram Guide :

entrepreneurs 66-2682 parenting tips tips America 66-2393 parenting tips entrepreneurs 66-329 weight loss ideas for small business 66-1717 weight creators 66-1679 parenting tips case study USA 66-2840 parenting tips entrepreneurs 66-1555 smart home tech blueprint for entrepreneurs vehicles review for entrepreneurs 66-720 electric vehicles review for AI marketing apps America 66-1535 AI marketing apps America 66-945 AI 66-2147 wearable technology examples for entrepreneurs 66-773 wearable business 66-1636 AI marketing guide USA 66-1624 AI marketing guide for 66-2160 YouTube growth step by step for startups 66-2425 YouTube growth United States 66-1414 real estate investing tutorial United States NFT marketplace strategies America 66-2823 NFT marketplace tips USA organization step by step America 66-2867 home organization step by step 66-2361 productivity hacks comparison for small business 66-2719 startups 66-761 electric vehicles roadmap USA 66-259 electric vehicles business 66-1569 chatbot development ideas for creators 66-1873 chatbot

Circuit Diagram Guide :

l habitant de l infini manga fantastique livre bd fnac - Oct 05 2022

web l habitant de l infini manga fantastique livre bd fnac accueil livre manga manga fantastique l habitant de l infini l habitant de l infini voir les critères de classement l habitant de l infini 32 résultats triés par mosaïque l habitant de l infini nouvelle édition tome 1 l habitant de l infini tout savoir sur l habitant de l infini

[casterman l habitant de l infini tome 10 ancienne édition](#) - Feb 09 2023

web dec 6 2004 tome 10 ancienne édition traduit japonais par marie françoise monthiers maquette jean luc ruault révision de traduction vincent zouzoukovsky sakka seinen 10 95 paru le 06 12 2004 genres fantastique histoire manga thèmes arts martiaux japon pouvoirs quête samouraï voyage

l habitant de l infini édition immortelle tome 1 babelio - Dec 27 2021

web sep 13 2023 samouraï sans maître errant sur les routes du japon médiéval manji est immortel afin d expier les crimes qu il a commis il porte en lui un mystérieux ver qui

l habitant de l infini les 30 livres de la série booknode - Mar 10 2023

web la liste des tomes 1 l habitant de l infini tome 1 manji est immortel un ver étrange introduit dans son corps guérit toutes ses blessures tuer est son destin de samouraï errant en réparation des cent innocents qu il a déjà sacrifiés pour se défendre il s engage à massacrer mille scélérats lire des extraits ajouter voir la fiche

l habitant de l infini tome 10 tome 10 l habitant de l infini fnac - Jul 14 2023

web des milliers de livres avec la livraison chez vous en 1 jour ou en magasin avec 5 de réduction l habitant de l infini tome 10 tome 10 l habitant de l infini hiroaki samura hiroaki samura hiroaki samura broché achat livre fnac

[livres l habitant de l infini fnac](#) - Sep 04 2022

web l habitant de l infini ancienne édition tome 10 l habitant de l infini bande dessinée broché ancienne édition tome 10 l habitant de l infini hiroaki samura hiroaki samura hiroaki samura marie françoise monthiers

l habitant de l infini wikipédia - Jan 08 2023

web synopsis À l ère edo en 1770 manji le samouraï immortel poursuit sa quête tuer 1 000 scélérats pour racheter ses crimes passés la jeune lin soucieuse de venger sa famille demande son aide et ensemble ils partent en guerre contre la terrible école du ittô ryû

l habitant de l infini tome 10 samura hiroaki amazon fr - Aug 15 2023

web noté 5 retrouvez l habitant de l infini tome 10 et des millions de livres en stock sur amazon fr achetez neuf ou d occasion

habitant de l infini l 10 par hiroaki samura tome 10 de la série - Jan 28 2022

web voici la suite tant attendue de l habitant de l infini directement publiée dans sakka tandis que les précédents volumes de la série sont réédités au fur et à mesure au sein de cette collection dans ce nouveau tome hiroaki samura se concentre sur les figures de hyakulin et manji laissant de côté pour l instant anotsu et lin

l habitant de l infini 10 volume 10 bedetheque - Jun 13 2023

web dec 4 2004 série habitant de l infini l titre volume 10 tome 10 identifiant 40931 scénario samura hiroaki

[l habitant de l infini tome 10 bdfugue com](#) - Nov 06 2022

web dec 2 2004 l habitant de l infini tome 10 de hiroaki samura 1ère librairie en ligne spécialisée bd envois rapides et soignés

casterman l habitant de l infini tome 10 - Apr 11 2023

web l habitant de l infini tome 10 traduit japonais par marie françoise monthiers maquette jean luc ruault révision de traduction vincent zouzoukovsky

l habitant de l infini fnac - Aug 03 2022

web l habitant de l infini ancienne édition tome 10 l habitant de l infini bande dessinée broché ancienne édition tome 10

hiroaki samura hiroaki samura hiroaki samura marie françoise monthiers 5

l habitant de l infini tome 10 tankobon decitre - May 12 2023

web dec 6 2004 l histoire est racontée du point de vue de bee une jeune femme fan de marie curie bee ne veut pas d animaux ils meurent et encore moins une relation amoureuse les gens partent des raisons de se faire briser le coeur notre héros est levi ward un ingénieur grognon qui déteste bee depuis l université mais est ce vraiment le

l habitant de l infini tome 10 bd web - Mar 30 2022

web dans ce nouveau tome hiroaki samura se concentre sur les figures de hyakulin et manji laissant de côté pour l instant anotsu et lin faite prisonnière par un ancien adversaire estropié la belle tueuse aux cheveux clairs subit les pires outrages

l habitant de l infini vol 10 nautiljon com - Apr 30 2022

web mar 5 2014 volume de manga l habitant de l infini vol 10 date de sortie 03 12 2004 faite prisonnière par un ancien adversaire estropié la belle tueuse aux cheveux clairs subit les pires outrages et ne devra son salut qu à un alli volume de manga l habitant de l infini vol 10 date de sortie 03 12 2004 faite prisonnière par un ancien

l habitant de l infini la série manga bdfugue com - Feb 26 2022

web l habitant de l infini sur bdfugue com librairie en ligne spécialisée manga frais de port 0 10 voir conditions envois rapides et soignés

casterman l habitant de l infini - Jun 01 2022

web l habitant de l infini bakumatsu tome 1 l immortel est de retour une nouvelle quête pour manji l immortel dans un japon en plein bouleversement collection sakka seinen

10 l habitant de l infini tome 10 hiroaki samura casterman - Jul 02 2022

web découvrez et achetez 10 l habitant de l infini tome 10 hiroaki samura casterman sur libraiarielapromessedelaube fr

habitant de l infini l 10 tome 10 scenario - Dec 07 2022

web dans ce tome tout récent l auteur délaisse un instant anotsu et lin pour se consacrer à hyakulin et manji hyakulin a été faite prisonnière par un ancien adversaire estropié qui va faire subir à la belle maintes souffrances diverses et variées ainsi

que les pires outrages

stormbringers order of darkness book 2 english edition kindle edition - Aug 17 2023

web jun 4 2013 amazon co jp stormbringers order of darkness book 2 english edition ebook gregory philippa van deelen fred kindle store

browse editions for stormbringers the storygraph - Jan 10 2023

web add edition current edition stormbringers order of darkness 2 philippa gregory

stormbringers order of darkness book 2 kindle edition - Feb 28 2022

web jun 4 2013 the second book in a ya quartet filled with intrigue mystery and romance from 1 new york times bestselling author philippa gregory the year is 1453 and the end of the world is closer than ever as luca and isolde continue their journey their attraction grows with each passing day

stormbringers order of darkness book 2 kindle edition - Sep 18 2023

web jun 6 2013 children s ebooks the kindle title is not currently available for purchase see clubs not in a club learn more read sample follow the author philippa gregory stormbringers order of darkness book 2 kindle edition by philippa gregory author format kindle edition 1 345 ratings book 2 of 4 order of darkness see all formats

stormbringers order of darkness book 2 english ed 2023 - Dec 09 2022

web darkness is where thorn embraces her fate the choice she never got to make stormbringers sep 01 2023 the second exciting title in this atmospheric order of darkness ya series from the queen of historical fiction a bright ray of darkness

stormbringers order of darkness book 2 english edition - May 14 2023

web stormbringers order of darkness book 2 english edition ebook gregory philippa van deelen fred amazon de kindle store stormbringers order of darkness book 2 english ed - Oct 07 2022

web stormbringers order of darkness book 2 english ed english alive jul 11 2021 english alive is a four book series designed specifically to meet the needs of english students in caribbean secondary schools the series adopts a

stormbringersorderofdarknessbook2englishe - Jun 03 2022

web 2 the darkness feb 14 2021 glen cook s she is the darkness is the second book in the fast paced glittering stone military fantasy series the wind whines and howls with bitter breath lightning snarls and barks rage is an animate force upon the plain of glittering stone even shadows are afraid at the heart of the plain stands a

stormbringers order of darkness book 2 english ed pdf - Sep 06 2022

web stormbringers order of darkness book 2 english ed the other side of darkness mar 22 2022 once again i have kept the demons at bay as a wife and mother ruth knows her prayers are crucial to her family s spiritual welfare she stands between her precious children and the evil one doing battle in prayer she can t afford to be careless

stormbringers order of darkness book 2 amazon com - Mar 12 2023

web feb 22 2018 select the department you want to search in

stormbringers order of darkness 2 by philippa gregory - Oct 19 2023

web february 15 2016 frustrating so frustrating 2 star reads get help and learn more about the design authors ads blog read 309 reviews from the world s largest community for readers luca vero is a member of the secret order of

stormbringers order of darkness book 2 kindle edition - Apr 13 2023

web jun 4 2013 stormbringers order of darkness book 2 philippa gregory book 2 of 4 order of darkness the second book in a ya quartet filled with intrigue mystery and romance from 1 bestselling author philippa gregory the year is 1453 and the end of the world is closer than ever as luca and isolde continue their journey their attraction

stormbringers order of darkness book 2 english ed pdf - Aug 05 2022

web stormbringers order of darkness book 2 english ed 3 3 fairy tale princess she won t be rescued by anybody and she won t get married page i a respectable trade simon and schuster for fans of children of blood and bone and six of crows comes the thrilling conclusion to the blood heir trilogy a princess with a

amazon com stormbringers order of darkness book 2 audible - Nov 08 2022

web stormbringers order of darkness book 2 audible audiobook unabridged philippa gregory author nicola barber narrator simon schuster audio publisher 0 more 4 2 4 2 out of 5 stars 1 392 ratings

stormbringers order of darkness book 2 kindle edition - Feb 11 2023

web jun 6 2013 stormbringers order of darkness book 2 kindle edition by gregory philippa download it once and read it on your kindle device pc phones or tablets use features like bookmarks note taking and highlighting while reading

stormbringers order of darkness book 2

stormbringers order of darkness book 2 kindle edition - Apr 01 2022

web stormbringers order of darkness book 2 kindle edition by philippa gregory author format kindle edition 4 0 4 0 out of 5 stars 1 397 ratings

stormbringers order of darkness book 2 english edition - Jul 16 2023

web stormbringers order of darkness book 2 english edition ebook gregory philippa amazon de kindle store

stormbringers order of darkness book 2 english ed copy - May 02 2022

web stormbringers order of darkness book 2 english ed as the shadow rises sep 06 2022 as the shadow rises is the spectacular second novel in katy rose pool s age of darkness trilogy a ya fantasy blockbuster packed with magic prophecy and adventure katy rose pool s showstopping fantasy debut there will come a darkness began an

stormbringers order of darkness book 2 english ed elizabeth - Jul 04 2022

web book 2 english ed and numerous book collections from fictions to scientific research in any way accompanied by them is this stormbringers order of darkness book 2 english ed that can be your partner

[stormbringers order of darkness book 2 kindle edition](#) - Jun 15 2023

web stormbringers order of darkness book 2 kindle edition by philippa gregory author format kindle edition 4 1 4 1 out of 5 stars 1 369 ratings

kerala polytechnic diploma rank list 2023 kerala education - May 29 2022

web aug 8 2023 polytechnic first 1st allotment 2023 published final ranklist date kerala polytechnic first allotment 2023 published final rank list out polyadmission org first allotment 2023 poly final ranklist polytechnic 1st allotment 2023 admission polytechnic first allotment admission select

poly exam rank kerala uniport edu ng - Apr 27 2022

web jul 15 2023 poly exam rank kerala 1 1 downloaded from uniport edu ng on july 15 2023 by guest poly exam rank kerala this is likewise one of the factors by obtaining the soft documents of this poly exam rank kerala by online you might not require more epoch to spend to go to the ebook instigation as well as search for them in some cases you

main list kerala public service commission - Jan 25 2022

web kerala public service commission ranked list for the post of lecturer in electronics engineering govt polytechnic colleges on rs 15600 39100 aictc pay band with agp 5400 in technical education department ranked list no 606 2022 ss vi notification cat no 019 2019

poly exam rank kerala ftp popcake com - Feb 23 2022

web poly exam rank kerala polymer solutions pretreatment of biomass reasons of state teaching science technology and society how to prepare for quantitative aptitude for the cat 5e madhya pradesh management entrance test met a new approach to reasoning verbal non verbal punch or the london charivari volume 105

kerala polytechnic 2021 allotment released counselling - Dec 04 2022

web kerala polytechnic 2021 rank list authority has released provisional kerala polytechnic rank list on 27th august 2021 it has been released through online mode on the website candidates can also submit objections against the rank list final rank list has been released on 4th september 2021

dte kerala polytechnic final rank list 2021 out exams daily - Apr 08 2023

web sep 6 2021 dte kerala has released polytechnic college admission 2021 22 first rank list candidates who are all applied for the admission for polytechnic colleges in kerala can download the mark list directly from here candidates can check the merit list by using your application number and date of birth

kerala polytechnic rank list 2023 out kerala polytechnic - Aug 12 2023

web jul 13 2023 it provides important information about the kerala polytechnic rank list 2023 including the seat allotment process rank list release important dates required documents and more furthermore a step by step guide to check the kerala polytechnic rank list results online is provided in this post

ranklist kerala public service commission - Jul 31 2022

web ranked list no 640 2023 dop cat no 018 2021 wef 10 08 2023 ranked list for the post of driver gr ii hdv by transfer driver cum office attendant hdv part ii by transfer in various departments download 09 10 2023 2023 featured latest palakkad *kerala polytechnic results 2022 how to check result tie* - Mar 07 2023

web dec 13 2021 kerala polytechnic results 2022 will be declared by the kerala university through online mode in the form of a provisional and final rank list of the candidates on different dates

admission 2022 23 last index score and rank - May 09 2023

web admission 2022 23 last index score and rank fields with are required district select district thiruvananthapuram kollam pathanamthitta alappuzha kottayam idukki ernakulam thrissur palakkad malappuram kozhikode kannur wayanad kasaragod *kerala polytechnic result 2023 download merit list* - Jun 29 2022

web jun 14 2023 download pdf kerala polytechnic result 2023 dte will declare the result of kerala polytechnic 2023 in online mode kerala polytechnic 2023 result will be released in the form of two merit lists provisional merit list which can be challenged if candidates find any discrepancies and the final merit list

kerala polytechnic 2023 allotment out rank list dates cut off - Sep 13 2023

web aug 8 2023 kerala polytechnic 2023 seat allotment 2nd round has been released on 8th august 2023 check here for counselling details kerala polytechnic 2023 final rank list has been released on 27th july 2023 check here for result details kerala polytechnic 2024 admission will be done based on the merit get more details about kerala

poly exam rank kerala opendoors cityandguilds com - Mar 27 2022

web poly exam rank kerala 3 3 chapterwise mcqs are given for the quick grasping of concepts 5 latest solved papers 2020 2019 and 3 practice sets 6 online practice sets are given to experience of the exam aiming to touch the sky with glory indian air force invites for afcat common admission test online who wish to make careers at air

kerala polytechnic provisional rank list 2022 out at - Feb 06 2023

web august 25 2022 by surjeet kerala polytechnic provisional rank list 2022 directorate of technical education kerala is releasing the polytechnic provisional rank list 2022 on 24th august 2022 polyadmission org students who are waiting for kerala polytechnic rank list for admission in polytechnic diploma can check the official website

kerala polytechnic 2020 allotment released dates rank - Jan 05 2023

web nov 19 2020 the kerala polytechnic 2020 merit list is prepared based on grade obtained by the candidates in their sslc

thslc or equivalent examination in such cases where the candidate has passed qualifying exam under the old system the marks is converted into 9 points absolute grade to prepare the rank list kerala polytechnic 2020 counselling

[top polytechnic colleges in kerala 2023 rankings fees - Sep 01 2022](#)

web list of polytechnic colleges in kerala based on 2023 ranking all filter type of college avg fee per year course type course duration study engineering abroad gender accepted next engineering polytechnic kerala clear all found 58 colleges sort by popularity rating highest fees lowest fees

[poly exam rank kerala crm vasista in - Jul 11 2023](#)

web cracking the gre chemistry subject test ncert solutions physics 12th kerala development report encyclopedia of general science for general competitions logical reasoning and data interpretation for the cat campus plus 2018 mcgraw hill

education sat elite 2021 poly exam rank kerala downloaded from crm vasista in by guest

[kerala polytechnic 2023 allotment out rank list dates cut off - Nov 03 2022](#)

web aug 8 2023 kerala polytechnic 2023 provisional rank list trial allotment has been released on 11th july 2023 click here to check rank list trial allotment kerala polytechnic 2023 application form has been extended till 7th july 2023

kerala polytechnic rank list 2023 polyadmission org check kerala - Jun 10 2023

web feb 1 2023 kerala polytechnic rank list 2023 polyadmission org check kerala polytechnic rank list date polytechnic provisional merit list dates kerala polytechnic rank list 2023 polyadmission org new update on 01 02 2023 kerala polytechnic rank list 2023 in the month of june 2023 the kerala polytechnic 2023 rank list will

[kerala psc polytechnic lecturer result 2023 testbook com - Oct 02 2022](#)

web jan 22 2023 download as pdf the kerala psc polytechnic lecturer result 2023 will be released on the official website of kerala psc the administration of the kerala psc will release the kerala psc polytechnic lecturer result 2023 within a month of the examination date