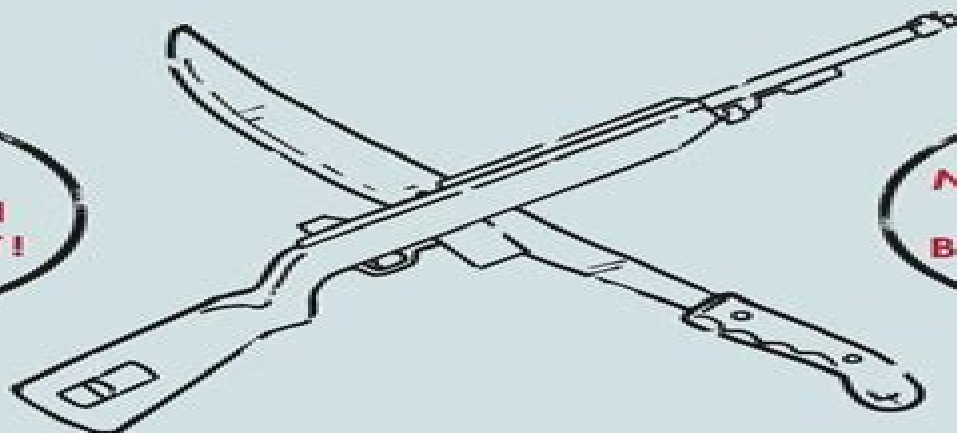


THE  
**ZOMBIE**  
SURVIVAL GUIDE

COMPLETE PROTECTION  
FROM THE LIVING DEAD

ONE  
MILLION  
IN PRINT!



NEW YORK  
TIMES  
BESTSELLER

**MAX BROOKS**

# Max Brooks Zombie Survival Guide

**N Colangelo**



## **Max Brooks Zombie Survival Guide:**

**The Zombie Survival Guide** Max Brooks, 2003-09-16 From the author of the 1 New York Times bestseller *World War Z* The *Zombie Survival Guide* is your key to survival against the hordes of undead who may be stalking you right now Fully illustrated and exhaustively comprehensive this book covers everything you need to know including how to understand zombie physiology and behavior the most effective defense tactics and weaponry ways to outfit your home for a long siege and how to survive and adapt in any territory or terrain Top 10 Lessons for Surviving a Zombie Attack 1 Organize before they rise 2 They feel no fear why should you 3 Use your head cut off theirs 4 Blades don't need reloading 5 Ideal protection tight clothes short hair 6 Get up the staircase then destroy it 7 Get out of the car get onto the bike 8 Keep moving keep low keep quiet keep alert 9 No place is safe only safer 10 The zombie may be gone but the threat lives on Don't be carefree and foolish with your most precious asset life This book is your key to survival against the hordes of undead who may be stalking you right now without your even knowing it The *Zombie Survival Guide* offers complete protection through trusted proven tips for safeguarding yourself and your loved ones against the living dead It is a book that can save your life

**The Zombie Survival Guide** Max Brooks, 2004-08-27 Don't be reckless with your most precious asset life This book is your key to survival against the hordes of undead who may be stalking you right now without your even knowing it It covers everything you need to know from how to understand zombie behaviour to survival in any territory or terrain The *Zombie Survival Guide* offers complete protection through proven tips for safeguarding yourself and your loved ones against the living dead It might just save your life A bloody minded strait laced manual for evading the grasp of the undead Time Out So meticulous and well researched that it's more scary than funny *Esquire* A tome you start reading for fun and then at page 50 you go out and buy a machete just to be on the safe side *New York Post* I doubt that I'll read a more disturbing book Brilliantly written morbidly funny completely convincing *Vector*

*The Essential Max Brooks* Max Brooks, 2013-04-30 Brooks is America's most prominent maven on the living dead Gripping reading *Hartford Courant* This collection available exclusively as an ebook brings together two New York Times bestselling titles from Max Brooks *The Zombie Survival Guide* and *World War Z* Fully illustrated and exhaustively comprehensive The *Zombie Survival Guide* is the key to survival against the hordes of undead who may be stalking you right now In *World War Z* Brooks delivers an invaluable chronicle of the *Zombie War* told in the haunting and riveting voices of the men and women who witnessed the horror firsthand

*The Zombie Survival Guide* Max Brooks, 2011-09-27 Watch out as a mob of ravenous flesh eating undead comes to life This lenticular journal cover sets in motion images of slithering shuffling zombies from the bestselling graphic novel *The Zombie Survival Guide* Recorded Attacks Filled with lined pages this all purpose journal is perfect for jotting down notes making to do lists plotting your own survival strategy and is just the creepy thing for zombie fans everywhere

*Max Brooks Boxed Set* Max Brooks, 2013-04-30 Just in time for the release of the blockbuster Summer movie *World War Z* this boxed set includes two New York Times

bestsellers from Max Brooks World War Z and The Zombie Survival Guide The box features line art from the graphic novel  
Zombie Survival Guide Recorded Attacks **The Zombie Survival Guide: Recorded Attacks** Max Brooks,Ibraim  
Roberson,2010-10-05 Those who don t learn from history are condemned to repeat it From the Stone Age to the information  
age the undead have threatened to engulf the human race They re coming They re hungry Don t wait for them to come to you  
This is the graphic novel the fans demanded major zombie attacks from the dawn of humanity On the African savannas  
against the legions of ancient Rome on the high seas with Francis Drake every civilization has faced them Here are the grisly  
and heroic stories complete with eye popping artwork that pulsates with the hideous faces of the undead Organize before  
they rise Scripted by the world s leading zombie authority Max Brooks Recorded Attacks reveals how other eras and cultures  
have dealt with and survived the ancient viral plague By immersing ourselves in past horror we may yet prevail over the  
coming outbreak in our time Closure Limited Max Brooks,2012-03-01 Written in his trademark style these tales combine  
horror drama and socio political commentary to explore the aftermath of the zombie apocalypse Stories range from a  
company staffed by human survivors offering gory revenge on their former zombie attackers to a vampire who realises too  
late that he will have nothing left to drink as zombies wipe out his human blood supply *Zombie Survival Guide* , **The**  
**Zombie Survival Guide: Study Guide for Reluctant Readers** Pembroke Notes,2015-02-25 How to Use This Book This  
book is to be used along side the bestselling book The Zombie Survival Guide by Max Brooks The Zombie Survival Guide is a  
manual dealing with the fictional possibility of a zombie attack It contains detailed plans for the average citizen to survive  
zombie uprisings of varying intensity and reach and describes cases of zombie outbreaks in history More than a manual it is  
an engaging text for readers to improve comprehension and fluency High school students will love to read this book For  
Students The study questions are in order and follow the author s narrative Answer questions as you read the book Complete  
answers are displayed at the rear of the book For Teachers This is an easy and interesting resource to help your students in a  
manual style narrative Even before the series The Walking Dead students have been in love with zombies Having used this  
book in my classroom I can testify that when readers are engaged in the material they will read more and better There are  
interesting websites to use as a supplement to the book <http://zombieresearchsociety.com> is one of them For Homeschools  
Your high school student will love the easy guide to help him her in her reading The Zombie Survival Guide Parents be  
prepared for active discussions with your teenager while you read along A writing workshop is supplied at the end of the  
book as a guide When not teaching or working on district curriculum in Alaska Peggy and her husband Bill armed with  
fishing poles make their home in Pittsburg Missouri **World War Z** Max Brooks,2013 An account of the decade long  
conflict between humankind and hordes of the predatory undead is told from the perspective of dozens of survivors who  
describe in their own words the epic human battle for survival in a novel that is the basis for the June 2013 film starring Brad  
Pitt Reissue Movie Tie In *Zombie Survival Notes Mini Journal* Max Brooks,2008-07-22 Ever feel at risk of joining the

ranks of the undead Use this all purpose blank journal to help develop record and execute your survival strategy

Postracial Fantasies and Zombies Eric King Watts,2024-08-06 This book understands the postracial as a genre like the zombie apocalypse that signals a disturbance in society that is felt as terrifying and exciting The postracial is repetitive and reproduces blackened biothreat bodies rituals of securitization and fantasies of the reclamation of white masculine sovereignty Eric King Watts examines key moments when Blackness became an object of knowledge in the eighteenth and nineteenth centuries preparing the scientific and philosophical ground for interpreting zombie lore The book treats the Greater Caribbean as a transformative space in which an antiblack infrastructure arose and interrogates the US s militarized domination of Haiti that was the context in which the zombie emerged Watts traces variations of the form and function of the zombie to contemplate how it matters to our contemporary struggles with racism and pandemic policies

The Zombie Survival Guide ,2010

**Monstrous Spaces: The Other Frontier** ,2019-01-04 This volume was first published by Inter Disciplinary Press in 2013 Monstrous Spaces The Other Frontier is a collection of essays presented during the First Global Conference of Monstrous Geography held at Manchester College Oxford When examining monstrous geographies we encounter an Other frontier a space that runs counter to the socially constructed space of culture that at the same time includes overlaps and co occupies the cultural landscape

**Max Brooks Extinction Parade Volume 2 TP** Max Brooks,2015-04 Collects issues 1 5 of Extinction parade War

**Zombies!** Jovanka Vuckovic,George A. Romero,2011-03-15 Celebrates zombie pop culture that has evolved since Night of the Living Dead tracing early mythological origins in African folklore and Haitian voodoo as well as modern incarnations in film literature and video gaming

Monstrous Geographies: Places and Spaces of the Monstrous Sarah Montin,Evelyn Tsitas,2019-05-15 Preliminary Material Sarah Montin and Evelyn Tsitas The Only Thing to be Deplored is the Extraordinary Mortality Flinders Island and the Imagination of the British Empire Tom Lawson Zombies in the Colonies Imperialism and Contestation of Ethno Political Space in Max Brooks The Zombie Survival Guide Robert A Saunders The Perilous Sites of the Atlantikwall Rose Tzalmona Monstrous Homes How Private Spaces Shape Characters Identities in 19th Century Sensation Fiction Christina Flotmann Enchanted Microcosm or Apocalyptic Warzone Human Projections into the Bug World Petra Rehling Monstrous Breeding Grounds Creation Isolation and Suffering at Noble s Island Hailsham and Rankstadt Evelyn Tsitas How the Earth Went Bad From Wells The War of the Worlds to the Zombie Apocalypse in the 21st Century Simon Bacon Strange Outlandish Star Spaces of Horror in the Poems and Memoirs of the War Poets Sarah Montin Unsettling Empty Spaces Displacing Terra Nullius Thea Costantino Morgues Museums and the Ghost of Errol Flynn Erin Ashenurst Architecture after Fukushima Spaces of Bara Bara Spaces of Reciprocity Yutaka Sho

*The Zombie Survival Guide* Etienne Guerin DeForest,2009-12-05 How do you plan on surviving the coming Zombie Apocalypse This book tells you how

**Recorded Attacks** Max Brooks,2012-02-16 ORGANISE BEFORE THEY RISE Max Brooks the world s leading zombie authority reveals how other eras and cultures have dealt with and

survived the ancient viral plague From the Stone Age to the information age the undead have threatened to engulf the human race They re coming They re hungry And only the prepared will survive This is the graphic novel that fans demanded featuring major zombie attacks across human history on the African savannas against the legions of ancient Rome and on the high seas alongside Francis Drake Complete with eye popping artwork that pulsates with the grisly faces of the undead Recorded Attacks is an essential part of the World War Z collection An absolute must have Brooks infuses his writing with such precise detail and authenticity one wonders if he knows something we don t Simon Pegg on World War Z **World War Z** Max Brooks,2007 Brooks author of the straight faced parody The Zombie Survival Guide tells the story of the world s desperate battle against the zombie threat with a series of first person accounts by various characters around the world

Recognizing the artifice ways to acquire this book **Max Brooks Zombie Survival Guide** is additionally useful. You have remained in right site to begin getting this info. get the Max Brooks Zombie Survival Guide associate that we come up with the money for here and check out the link.

You could purchase guide Max Brooks Zombie Survival Guide or acquire it as soon as feasible. You could quickly download this Max Brooks Zombie Survival Guide after getting deal. So, like you require the ebook swiftly, you can straight get it. Its so totally easy and correspondingly fats, isnt it? You have to favor to in this proclaim

<https://py.bijouxmedusa.com/About/Resources/fetch.php/Passive%20Income%20Ideas%20Roadmap%20For%20Startups%203%201603%20Passive%20Income%20Ideas.pdf>

## **Table of Contents Max Brooks Zombie Survival Guide**

1. Understanding the eBook Max Brooks Zombie Survival Guide
  - The Rise of Digital Reading Max Brooks Zombie Survival Guide
  - Advantages of eBooks Over Traditional Books
2. Identifying Max Brooks Zombie Survival Guide
  - Exploring Different Genres
  - Considering Fiction vs. Non-Fiction
  - Determining Your Reading Goals
3. Choosing the Right eBook Platform
  - Popular eBook Platforms
  - Features to Look for in an Max Brooks Zombie Survival Guide
  - User-Friendly Interface
4. Exploring eBook Recommendations from Max Brooks Zombie Survival Guide
  - Personalized Recommendations
  - Max Brooks Zombie Survival Guide User Reviews and Ratings
  - Max Brooks Zombie Survival Guide and Bestseller Lists

5. Accessing Max Brooks Zombie Survival Guide Free and Paid eBooks
  - Max Brooks Zombie Survival Guide Public Domain eBooks
  - Max Brooks Zombie Survival Guide eBook Subscription Services
  - Max Brooks Zombie Survival Guide Budget-Friendly Options
6. Navigating Max Brooks Zombie Survival Guide eBook Formats
  - ePub, PDF, MOBI, and More
  - Max Brooks Zombie Survival Guide Compatibility with Devices
  - Max Brooks Zombie Survival Guide Enhanced eBook Features
7. Enhancing Your Reading Experience
  - Adjustable Fonts and Text Sizes of Max Brooks Zombie Survival Guide
  - Highlighting and Note-Taking Max Brooks Zombie Survival Guide
  - Interactive Elements Max Brooks Zombie Survival Guide
8. Staying Engaged with Max Brooks Zombie Survival Guide
  - Joining Online Reading Communities
  - Participating in Virtual Book Clubs
  - Following Authors and Publishers Max Brooks Zombie Survival Guide
9. Balancing eBooks and Physical Books Max Brooks Zombie Survival Guide
  - Benefits of a Digital Library
  - Creating a Diverse Reading Collection Max Brooks Zombie Survival Guide
10. Overcoming Reading Challenges
  - Dealing with Digital Eye Strain
  - Minimizing Distractions
  - Managing Screen Time
11. Cultivating a Reading Routine Max Brooks Zombie Survival Guide
  - Setting Reading Goals Max Brooks Zombie Survival Guide
  - Carving Out Dedicated Reading Time
12. Sourcing Reliable Information of Max Brooks Zombie Survival Guide
  - Fact-Checking eBook Content of Max Brooks Zombie Survival Guide
  - Distinguishing Credible Sources
13. Promoting Lifelong Learning

- Utilizing eBooks for Skill Development
  - Exploring Educational eBooks
14. Embracing eBook Trends
- Integration of Multimedia Elements
  - Interactive and Gamified eBooks

### **Max Brooks Zombie Survival Guide Introduction**

Free PDF Books and Manuals for Download: Unlocking Knowledge at Your Fingertips In today's fast-paced digital age, obtaining valuable knowledge has become easier than ever. Thanks to the internet, a vast array of books and manuals are now available for free download in PDF format. Whether you are a student, professional, or simply an avid reader, this treasure trove of downloadable resources offers a wealth of information, conveniently accessible anytime, anywhere. The advent of online libraries and platforms dedicated to sharing knowledge has revolutionized the way we consume information. No longer confined to physical libraries or bookstores, readers can now access an extensive collection of digital books and manuals with just a few clicks. These resources, available in PDF, Microsoft Word, and PowerPoint formats, cater to a wide range of interests, including literature, technology, science, history, and much more. One notable platform where you can explore and download free Max Brooks Zombie Survival Guide PDF books and manuals is the internet's largest free library. Hosted online, this catalog compiles a vast assortment of documents, making it a veritable goldmine of knowledge. With its easy-to-use website interface and customizable PDF generator, this platform offers a user-friendly experience, allowing individuals to effortlessly navigate and access the information they seek. The availability of free PDF books and manuals on this platform demonstrates its commitment to democratizing education and empowering individuals with the tools needed to succeed in their chosen fields. It allows anyone, regardless of their background or financial limitations, to expand their horizons and gain insights from experts in various disciplines. One of the most significant advantages of downloading PDF books and manuals lies in their portability. Unlike physical copies, digital books can be stored and carried on a single device, such as a tablet or smartphone, saving valuable space and weight. This convenience makes it possible for readers to have their entire library at their fingertips, whether they are commuting, traveling, or simply enjoying a lazy afternoon at home. Additionally, digital files are easily searchable, enabling readers to locate specific information within seconds. With a few keystrokes, users can search for keywords, topics, or phrases, making research and finding relevant information a breeze. This efficiency saves time and effort, streamlining the learning process and allowing individuals to focus on extracting the information they need. Furthermore, the availability of free PDF books and manuals fosters a culture of continuous learning. By removing financial barriers, more people can access educational resources and pursue lifelong learning, contributing to

personal growth and professional development. This democratization of knowledge promotes intellectual curiosity and empowers individuals to become lifelong learners, promoting progress and innovation in various fields. It is worth noting that while accessing free Max Brooks Zombie Survival Guide PDF books and manuals is convenient and cost-effective, it is vital to respect copyright laws and intellectual property rights. Platforms offering free downloads often operate within legal boundaries, ensuring that the materials they provide are either in the public domain or authorized for distribution. By adhering to copyright laws, users can enjoy the benefits of free access to knowledge while supporting the authors and publishers who make these resources available. In conclusion, the availability of Max Brooks Zombie Survival Guide free PDF books and manuals for download has revolutionized the way we access and consume knowledge. With just a few clicks, individuals can explore a vast collection of resources across different disciplines, all free of charge. This accessibility empowers individuals to become lifelong learners, contributing to personal growth, professional development, and the advancement of society as a whole. So why not unlock a world of knowledge today? Start exploring the vast sea of free PDF books and manuals waiting to be discovered right at your fingertips.

### FAQs About Max Brooks Zombie Survival Guide Books

1. Where can I buy Max Brooks Zombie Survival Guide books? Bookstores: Physical bookstores like Barnes & Noble, Waterstones, and independent local stores. Online Retailers: Amazon, Book Depository, and various online bookstores offer a wide range of books in physical and digital formats.
2. What are the different book formats available? Hardcover: Sturdy and durable, usually more expensive. Paperback: Cheaper, lighter, and more portable than hardcovers. E-books: Digital books available for e-readers like Kindle or software like Apple Books, Kindle, and Google Play Books.
3. How do I choose a Max Brooks Zombie Survival Guide book to read? Genres: Consider the genre you enjoy (fiction, non-fiction, mystery, sci-fi, etc.). Recommendations: Ask friends, join book clubs, or explore online reviews and recommendations. Author: If you like a particular author, you might enjoy more of their work.
4. How do I take care of Max Brooks Zombie Survival Guide books? Storage: Keep them away from direct sunlight and in a dry environment. Handling: Avoid folding pages, use bookmarks, and handle them with clean hands. Cleaning: Gently dust the covers and pages occasionally.
5. Can I borrow books without buying them? Public Libraries: Local libraries offer a wide range of books for borrowing. Book Swaps: Community book exchanges or online platforms where people exchange books.

6. How can I track my reading progress or manage my book collection? Book Tracking Apps: Goodreads, LibraryThing, and Book Catalogue are popular apps for tracking your reading progress and managing book collections. Spreadsheets: You can create your own spreadsheet to track books read, ratings, and other details.
7. What are Max Brooks Zombie Survival Guide audiobooks, and where can I find them? Audiobooks: Audio recordings of books, perfect for listening while commuting or multitasking. Platforms: Audible, LibriVox, and Google Play Books offer a wide selection of audiobooks.
8. How do I support authors or the book industry? Buy Books: Purchase books from authors or independent bookstores. Reviews: Leave reviews on platforms like Goodreads or Amazon. Promotion: Share your favorite books on social media or recommend them to friends.
9. Are there book clubs or reading communities I can join? Local Clubs: Check for local book clubs in libraries or community centers. Online Communities: Platforms like Goodreads have virtual book clubs and discussion groups.
10. Can I read Max Brooks Zombie Survival Guide books for free? Public Domain Books: Many classic books are available for free as they're in the public domain. Free E-books: Some websites offer free e-books legally, like Project Gutenberg or Open Library.

### Find Max Brooks Zombie Survival Guide :

[passive income ideas roadmap for startups 33-1603](#) [passive income ideas](#)

[comparison for creators 33-2718](#) [healthy recipes examples for](#)

[strategies for small business 33-1344](#) [fitness routines tips United](#)

[33-1203](#) [wearable technology explained USA 33-2379](#) [wearable technology](#)

[States 33-2648](#) [AI marketing step by step for creators 33-2030](#) [AI](#)

[checklist for entrepreneurs 33-1683](#) [resume writing examples for creators](#)

[creators 33-1709](#) [passive income ideas ideas for small business 33-2553](#)

[dropshipping business checklist for startups 33-1384](#) [dropshipping](#)

[market step by step for entrepreneurs 33-2576](#) [stock market step by step](#)

[crypto investing checklist for creators 33-2174](#) [crypto investing](#)

[entrepreneurs 33-1551](#) [resume writing explained for small business 33-105](#)

[trends for small business 33-2538](#) [self improvement trends for startups](#)

[33-799](#) [AI marketing best practices for creators 33-73](#) [AI marketing best](#)

**creators 33-1957 AI tools tutorial for startups 33-1696 Instagram growth**

*comparison for creators 33-1564 self improvement comparison for startups*

**Max Brooks Zombie Survival Guide :**

YMS3e Resources used with Yates, Moore, Starnes “The Practice of Statistics, 3rd Edition” in AP Statistics at LSHS. ... Case Closed: CaseClosedHandout4.pdf. Bullet CaseClosed4. 9 Caseclosed Answer Sheet 1 - Yms2e: Chapter 9 Name YMS2E: CHAPTER 9 NAME: \_ Case Closed Building Better Batteries Review the information in the Battery Case Study from. ... AP STAT STATISTICS. 2 · Physics Phet ... Case Closed Case Closed. Can Magnets Help Reduce Pain? Chapter “P”. AP Stats. Page 2. I: Data Analysis. Answer the key questions: Who: 50 polio patients who reported pain ... CASE STUDY - Can magnets help reduce pain? Answers to Case Closed! 1. (a) Who? The individuals are the. 50 polio ... Were these available data or new data produced to answer a current question? b. Is ... AP Statistics Chapter 3 Examining Relationship Case Closed AP Statistics Chapter 3 Examining Relationships Case Closed Baseballs Answers 1 ... was -61.09 homeruns hit.The intercept has not practical interpretation in this ... Exercise 1, Chapter 6: Random Variables, The Practice of ... 6.3 Case Closed. 408. Exercise 1. 409. Exercise 2. 409. Exercise 3. 409. Exercise 4 ... Exercise 2.93, 2.5 Exercises, Statistics, 13 Edition Answer. Q. Exercise ... Ap Statistics Case Closed Answers How to edit ap statistics case closed answers online ... Log in. Click Start Free Trial and create a profile if necessary. 2. Prepare a file. Use the Add New ... Case Closed Nielsen Ratings Chapter 1 AP Stats at LSHS ... 1 Case Closed Nielsen Ratings Chapter 1 AP Stats at LSHS Mr. · 2 I: Graphical Analysis 1. · 3 II: Numerical Analysis 2. · 4 III: Outliers 3. Case Closed The New SAT Chapter 2 AP Stats at LSHS Mr ... I: Normal Distributions 1. SAT Writing Scores are  $N(516, 115)$  What score would place a student in the 65th Percentile? 516 SAT Writing Scores  $\approx N(516, ...$  Probability Case Closed - Airport Security Using what you have learnt about simulations and probability, you should now be able to answer ... AP STATISTICS | Case Closed! ANSWERS: 1. False-negative when ... Thai Radical Discourse by Craig J. Reynolds | Paperback Thai Radical Discourse by Craig J. Reynolds | Paperback Thai Radical Discourse: The Real Face of Thai Feudalism ... Discussing imperialism, feudalism, and the nature of power, Reynolds argues that comparisons between European and Thai premodern societies reveal Thai social ... Thai Radical Discourse: The Real Face of Thai Feudalism Today by CJ Reynolds · 2018 · Cited by 159 — Discussing imperialism, feudalism, and the nature of power, Reynolds argues that comparisons between European and Thai premodern societies ... Thai Radical Discourse: The Real Face of Thai Feudalism ... Discussing imperialism, feudalism, and the nature of power, Reynolds argues that comparisons between European and Thai premodern societies reveal Thai social ... Thai radical discourse : the real face of Thai feudalism today Discussing imperialism, feudalism, and the

nature of power, Reynolds argues that comparisons between European and Thai premodern societies reveal Thai social ... The Real Face Of Thai Feudalism Today by Craig Reynolds Discussing imperialism, feudalism, and the nature of power, Reynolds argues that comparisons between European and Thai premodern societies reveal Thai social ... Thai Radical Discourse: The Real Face of Thai Feudalism Today Using Jit Poumisak's The Real Face of Thai Feudalism Today (1957), Reynolds both rewrites Thai history and critiques relevant historiography. Thai Radical Discourse: The Real Face of Thai Feudalism ... by S Wanthana · 1989 — Thai Radical Discourse: The Real Face of Thai Feudalism Today. By Craig J. Reynolds. Ithaca, N.Y.: Cornell University Southeast Asia Program, 1987. Pp. 186. Thai Radical Discourse: The Real Face of Thai Feudalism ... Discussing imperialism, feudalism, and the nature of power, Reynolds argues that comparisons between European and Thai premodern societies reveal Thai social ... Baotian Rocky Service Handleiding PDF | PDF | Tire | Brake This manual gives you information about the general structure, function, operation and maintenance methods of BT49QT-18E. It is of great importance to make ... User manual Baotian BT49QT-18E Rocky (English Manual. View the manual for the Baotian BT49QT-18E Rocky here, for free. This manual comes under the category scooters and has been rated by 3 people with ... BT49QT-9 - User Manual, Service Schedule & History This owner's handbook contains information necessary: • to enable you to get to know your Baotian BT49QT-9, to use it to the best advantage and to benefit ... Baotian Rocky BT49QT-18E Oct 17, 2020 — Service Manuals Werkplaatshandboek Baotian Rocky BT49QT-18E 2020-10-17 ; Author: arkAC ; Downloads: 12 ; Views: 810 ; First release: 17 October 2020. Manual Baotian BT49QT-18E - Rocky (page 1 of 22) (English) View and download the Manual of Baotian BT49QT-18E - Rocky Scooter (page 1 of 22) (English). Also support or get the manual by email. Baotian BT49QT-7 User Manual Page 2 This manual gives you information about the general structure, function, operation and maintenance methods of BT49QT-7. In order to enable your beloved ... Baotian BT49QT-7 Service Manual View and Download Baotian BT49QT-7 service manual online. BT49QT-7 scooter pdf manual download. Also for: Bt49qt-8. Baotian Scooter's & Motorcycles service repair manuals PDF Baotian Scooter's & Motorcycles workshop & service manuals, owner's manual, parts catalogs, wiring diagrams free download PDF; fault codes list. SERVICE MANUAL SERVICE MANUAL. JIANGMEN SINO-HONGKONG BAOTIAN MOTORCYCLE INDUSTRIAL CO., LTD ... Effect periodic maintenance according to the instructions in the user's manual.