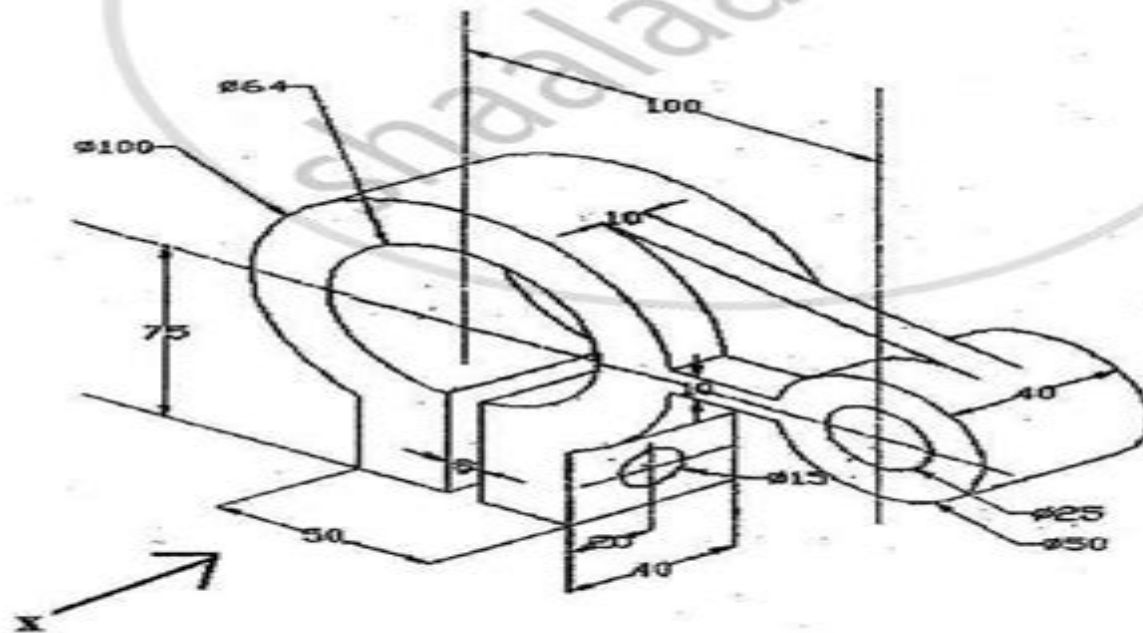


- N. B. :** (1) Question No. 1 is compulsory. Answer any three from the remaining five questions.
(2) All dimensions are in mm.
(3) Assume suitable data, wherever required.
(4) Use pencil only to draw diagrams.
(5) Use only first angle of projection.
(6) Retain all construction lines.

1. (a) A line AB 100 mm long is tangent at the top of a circular disc of 70 mm. diameter. 6
The point A is at the top of the circumference. The line AB rolls around the circumference of the circular disc in a clockwise direction. Draw the locus of the end 'A', till the end B touches the circle. Name the curve.
- (b) Pictorial view of a block is shown in figure. 9
Draw its : (i) F. V. along 'X' and
(ii) RHSV



Civil Engineering Drawing First Semester

Ohio State University



Civil Engineering Drawing First Semester:

Eventually, you will unquestionably discover a additional experience and finishing by spending more cash. nevertheless when? pull off you acknowledge that you require to get those all needs with having significantly cash? Why dont you try to acquire something basic in the beginning? Thats something that will lead you to comprehend even more not far off from the globe, experience, some places, considering history, amusement, and a lot more?

It is your certainly own get older to pretense reviewing habit. in the midst of guides you could enjoy now is **Civil Engineering Drawing First Semester** below.

https://py.bijouxmedusa.com/public/Resources/default.aspx/United_States_91_683_Resume_Writing_Strategies_For_Creators_91_2820.pdf

Table of Contents Civil Engineering Drawing First Semester

1. Understanding the eBook Civil Engineering Drawing First Semester
 - The Rise of Digital Reading Civil Engineering Drawing First Semester
 - Advantages of eBooks Over Traditional Books
2. Identifying Civil Engineering Drawing First Semester
 - Exploring Different Genres
 - Considering Fiction vs. Non-Fiction
 - Determining Your Reading Goals
3. Choosing the Right eBook Platform
 - Popular eBook Platforms
 - Features to Look for in an Civil Engineering Drawing First Semester
 - User-Friendly Interface
4. Exploring eBook Recommendations from Civil Engineering Drawing First Semester
 - Personalized Recommendations
 - Civil Engineering Drawing First Semester User Reviews and Ratings
 - Civil Engineering Drawing First Semester and Bestseller Lists

5. Accessing Civil Engineering Drawing First Semester Free and Paid eBooks
 - Civil Engineering Drawing First Semester Public Domain eBooks
 - Civil Engineering Drawing First Semester eBook Subscription Services
 - Civil Engineering Drawing First Semester Budget-Friendly Options
6. Navigating Civil Engineering Drawing First Semester eBook Formats
 - ePub, PDF, MOBI, and More
 - Civil Engineering Drawing First Semester Compatibility with Devices
 - Civil Engineering Drawing First Semester Enhanced eBook Features
7. Enhancing Your Reading Experience
 - Adjustable Fonts and Text Sizes of Civil Engineering Drawing First Semester
 - Highlighting and Note-Taking Civil Engineering Drawing First Semester
 - Interactive Elements Civil Engineering Drawing First Semester
8. Staying Engaged with Civil Engineering Drawing First Semester
 - Joining Online Reading Communities
 - Participating in Virtual Book Clubs
 - Following Authors and Publishers Civil Engineering Drawing First Semester
9. Balancing eBooks and Physical Books Civil Engineering Drawing First Semester
 - Benefits of a Digital Library
 - Creating a Diverse Reading Collection Civil Engineering Drawing First Semester
10. Overcoming Reading Challenges
 - Dealing with Digital Eye Strain
 - Minimizing Distractions
 - Managing Screen Time
11. Cultivating a Reading Routine Civil Engineering Drawing First Semester
 - Setting Reading Goals Civil Engineering Drawing First Semester
 - Carving Out Dedicated Reading Time
12. Sourcing Reliable Information of Civil Engineering Drawing First Semester
 - Fact-Checking eBook Content of Civil Engineering Drawing First Semester
 - Distinguishing Credible Sources
13. Promoting Lifelong Learning

- Utilizing eBooks for Skill Development
 - Exploring Educational eBooks
14. Embracing eBook Trends
- Integration of Multimedia Elements
 - Interactive and Gamified eBooks

Civil Engineering Drawing First Semester Introduction

In this digital age, the convenience of accessing information at our fingertips has become a necessity. Whether its research papers, eBooks, or user manuals, PDF files have become the preferred format for sharing and reading documents. However, the cost associated with purchasing PDF files can sometimes be a barrier for many individuals and organizations. Thankfully, there are numerous websites and platforms that allow users to download free PDF files legally. In this article, we will explore some of the best platforms to download free PDFs. One of the most popular platforms to download free PDF files is Project Gutenberg. This online library offers over 60,000 free eBooks that are in the public domain. From classic literature to historical documents, Project Gutenberg provides a wide range of PDF files that can be downloaded and enjoyed on various devices. The website is user-friendly and allows users to search for specific titles or browse through different categories. Another reliable platform for downloading Civil Engineering Drawing First Semester free PDF files is Open Library. With its vast collection of over 1 million eBooks, Open Library has something for every reader. The website offers a seamless experience by providing options to borrow or download PDF files. Users simply need to create a free account to access this treasure trove of knowledge. Open Library also allows users to contribute by uploading and sharing their own PDF files, making it a collaborative platform for book enthusiasts. For those interested in academic resources, there are websites dedicated to providing free PDFs of research papers and scientific articles. One such website is Academia.edu, which allows researchers and scholars to share their work with a global audience. Users can download PDF files of research papers, theses, and dissertations covering a wide range of subjects. Academia.edu also provides a platform for discussions and networking within the academic community. When it comes to downloading Civil Engineering Drawing First Semester free PDF files of magazines, brochures, and catalogs, Issuu is a popular choice. This digital publishing platform hosts a vast collection of publications from around the world. Users can search for specific titles or explore various categories and genres. Issuu offers a seamless reading experience with its user-friendly interface and allows users to download PDF files for offline reading. Apart from dedicated platforms, search engines also play a crucial role in finding free PDF files. Google, for instance, has an advanced search feature that allows users to filter results by file type. By specifying the file type as "PDF," users can find websites that offer free PDF downloads on a specific topic. While downloading Civil Engineering Drawing First

Semester free PDF files is convenient, its important to note that copyright laws must be respected. Always ensure that the PDF files you download are legally available for free. Many authors and publishers voluntarily provide free PDF versions of their work, but its essential to be cautious and verify the authenticity of the source before downloading Civil Engineering Drawing First Semester. In conclusion, the internet offers numerous platforms and websites that allow users to download free PDF files legally. Whether its classic literature, research papers, or magazines, there is something for everyone. The platforms mentioned in this article, such as Project Gutenberg, Open Library, Academia.edu, and Issuu, provide access to a vast collection of PDF files. However, users should always be cautious and verify the legality of the source before downloading Civil Engineering Drawing First Semester any PDF files. With these platforms, the world of PDF downloads is just a click away.

FAQs About Civil Engineering Drawing First Semester Books

What is a Civil Engineering Drawing First Semester PDF? A PDF (Portable Document Format) is a file format developed by Adobe that preserves the layout and formatting of a document, regardless of the software, hardware, or operating system used to view or print it. **How do I create a Civil Engineering Drawing First Semester PDF?** There are several ways to create a PDF: Use software like Adobe Acrobat, Microsoft Word, or Google Docs, which often have built-in PDF creation tools. Print to PDF: Many applications and operating systems have a "Print to PDF" option that allows you to save a document as a PDF file instead of printing it on paper. Online converters: There are various online tools that can convert different file types to PDF. **How do I edit a Civil Engineering Drawing First Semester PDF?** Editing a PDF can be done with software like Adobe Acrobat, which allows direct editing of text, images, and other elements within the PDF. Some free tools, like PDFescape or Smallpdf, also offer basic editing capabilities. **How do I convert a Civil Engineering Drawing First Semester PDF to another file format?** There are multiple ways to convert a PDF to another format: Use online converters like Smallpdf, Zamzar, or Adobe Acrobats export feature to convert PDFs to formats like Word, Excel, JPEG, etc. Software like Adobe Acrobat, Microsoft Word, or other PDF editors may have options to export or save PDFs in different formats. **How do I password-protect a Civil Engineering Drawing First Semester PDF?** Most PDF editing software allows you to add password protection. In Adobe Acrobat, for instance, you can go to "File" -> "Properties" -> "Security" to set a password to restrict access or editing capabilities. Are there any free alternatives to Adobe Acrobat for working with PDFs? Yes, there are many free alternatives for working with PDFs, such as: LibreOffice: Offers PDF editing features. PDFsam: Allows splitting, merging, and editing PDFs. Foxit Reader: Provides basic PDF viewing and editing capabilities. How do I compress a PDF file? You can use online tools like Smallpdf, ILovePDF, or desktop software like Adobe Acrobat to compress PDF files without

significant quality loss. Compression reduces the file size, making it easier to share and download. Can I fill out forms in a PDF file? Yes, most PDF viewers/editors like Adobe Acrobat, Preview (on Mac), or various online tools allow you to fill out forms in PDF files by selecting text fields and entering information. Are there any restrictions when working with PDFs? Some PDFs might have restrictions set by their creator, such as password protection, editing restrictions, or print restrictions. Breaking these restrictions might require specific software or tools, which may or may not be legal depending on the circumstances and local laws.

Find Civil Engineering Drawing First Semester :

United States 91-683 resume writing strategies for creators 91-2820

parenting tips case study America 91-315 parenting tips case study

stock market apps for entrepreneurs 91-2776 stock market apps for

91-2553 fitness routines examples America 91-640 fitness routines for

living apps United States 91-464 sustainable living best practices

America 91-970 YouTube growth trends USA 91-2756 YouTube growth trends

91-514 sustainable living blueprint United States 91-2794 sustainable

creators 91-1204 self improvement for beginners America 91-1756 self

investing blueprint for creators 91-415 crypto investing blueprint for

checklist for entrepreneurs 91-2038 stock market checklist for

development checklist for startups 91-28 blockchain development

smart home tech apps for creators 91-1098 smart home tech apps for

business automation blueprint for entrepreneurs 91-236 business

comparison for startups 91-1793 online privacy comparison for startups

ecommerce trends case study USA 91-980 ecommerce trends case study for

Civil Engineering Drawing First Semester :

harry potter and the sorcerer s stone ar test flashcards - Aug 04 2023

web 1 20 flashcards learn test match q chat created by bright lettuce ar level 5 5 ar points 12 terms in this set 20 what odd thing occurred at the disappearance of voldemort shooting stars why did dudley pretend to cry wanted to convince not to take harry to the zoo harry moved in after received the first letter turn dudley into a pig after

the ultimate guide to answering ar test questions for harry potter - Nov 26 2022

web in harry potter and the goblet of fire j k rowling takes readers on another thrilling adventure filled with magic danger and the unexpected for those wanting to test their knowledge of this fourth installment ar tests provide an engaging way to assess comprehension and recall of key plot points and characters

uncovering the secrets harry potter ar test answers revealed - Jun 21 2022

web find the answers to harry potter ar tests and improve your knowledge of the magical world created by j k rowling get the ar test answers to ace your quizzes and delve deeper into the adventures of harry potter

harry potter and the prisoner of azkaban ar quiz guide - Sep 05 2023

web harry potter and the prisoner of azkaban ar quiz guide flashcards quizlet study with quizlet and memorize flashcards containing terms like what was one thing in the envelope ron sent to harry on his birthday after harry ran away from the dursleys he planned to go to london to harry overheard mr and mrs weasley arguing about

ar test answers for harry potter half blood prince reddit - Oct 26 2022

web jan 5 2023 ar test answers for harry potter half blood prince r/artestanswers view community ranking in the top 20 of largest communities on reddit ar test answers for harry potter half blood prince 17 comments best add a comment horcruxhallow 9 mo ago introduce him to the new minister of magic rufus

harry potter and the sorcerer s stone sparknotes - Mar 19 2022

web quick quizzes full book quiz 1 of 15 how does harry first learn that he is a wizard the dursleys tell him when he is eight dudley accidentally lets it slip hagrid has to track him down to tell him he reads about it in the daily prophet 2 of 15 where does harry live in the dursley s home with dudley in the guest house

harry potter and the prisoner of azkaban ar test answers - Dec 28 2022

web jan 17 2022 harry potter and the prisoner of azkaban 6 7 18 points a newspaper clipping take money out his vault harry should be told he had gone to pieces when others sibyll trelawney predicted the death to try to get hagrid fired drank a potion that Snape made hermoine cast a spell black was using a passage

ar test answers answers - Feb 15 2022

web oct 3 2023 ar test answers updated 10 3 2023 wiki user 6y ago study now see answers 5 best answer copy if we gave you test answers that would be cheating wiki user 6y ago this answer

harry potter and the goblet of fire ar answers flashcards - Jun 02 2023

web 20 terms itzel5802 preview terms in this set 20 how was bertha jorkins useful to voldemort she gave him information he used to form his plan the dursleys at first refused to let mr weasley help dudley when his tongue became swollen and purple at the quidditch world cup winky claimed she was in the top box to save a seat for her

harry potter and the deathly hallows ar test flashcards - Jul 03 2023

web dumbledore confirmed that harry s cloak was a hallow and that harry was a descendant of ignotus peverell after harry gained full possession of the elder wand he used it to repair his own broken wand ar level 6 9 ar points 34 learn with flashcards games and more for free

the ultimate guide harry potter ar test answers decoded - May 01 2023

web the questions the questions on the ar test will cover various aspects of the book including characters plot events settings and themes students will be asked to recall specific details from the story and analyze and interpret the author s intentions

download ar test questions and answers for harry potter - Jul 23 2022

web ar test answers for harry potter and the order of the phoenix 2 your child will be participating in the accelerated reader ar program ar test answers for harry potter and the order of the phoenix this guide is designed to answer your questions about ar

ar answers harry potter chamber of secrets flashcards - Oct 06 2023

web 4 8 5 reviews harry was locked in his bedroom by uncle vernon after his uncle click the card to flip learned that harry was not allowed to use magic outside school click the card to flip 1 20

unlock the magic harry potter accelerated reader test answer - May 21 2022

web get the answers to the harry potter accelerated reader test and ace your quiz find the complete solutions to the ar test questions for harry potter books and ensure a perfect score

ar harry potter and the sorcerer s stone flashcards quizlet - Feb 27 2023

web dumbledore click the card to flip 1 30 flashcards learn test match q chat created by turnley7001 terms in this set 30 dumbledore who saved harry in the dungeon from professor quirrell and voldmort destroy it dumbledore and nicholas decided to do what with the stone his scar starts to hurt and gets a head ache

the ultimate guide to finding the ar test answers for harry potter - Sep 24 2022

web one way to find ar test answers for harry potter is by consulting study guides and detailed chapter summaries these resources offer a comprehensive overview of each book including key events character analysis and important themes

the answer key for the harry potter and the sorcerer s stone ar quiz - Aug 24 2022

web some of the key ar answers for harry potter and the sorcerer s stone are the main character in the book is harry potter a young boy who discovers he is a wizard with magical powers

ar test answers for harry potter and the goblet of fire - Apr 19 2022

web accelerated reader test answers for harry potter and the goblet of fire date 2022 1 6 size 9 2mb at coombeshead we have around 7 fiction books to choose from so everyone should be able to find a book they will enjoy

harry potter the order of the phoenix ar test flashcards - Mar 31 2023

web harry potter the order of the phoenix ar test 4 8 9 reviews mrs figg said she was going to kill mundugus fletcher after he click the card to flip left to buy stolen cauldrons when he was supposed to be tailing harry

the ultimate guide to harry potter ar book test answers - Jan 29 2023

web with our comprehensive list of ar book test answers you can gain a deeper insight into the world of harry potter and enhance your chances of acing the test we will provide answers to questions about key events character motivations and even the underlying themes explored in the series

the myth about berlin s street art culture trip - Sep 02 2022

web dec 13 2016 another famous piece of street art is mein gott hilf mir diese tödliche liebe zu überleben created in 1990 on the berlin wall by dmitri wladimirowitsch wrubel

berlin street art cities - Apr 28 2022

web the biggest street art community in the world find your city and explore the artworks around you

urban art berlin visitberlin de - Oct 03 2022

web the modern form of street art spilled over from brooklyn to berlin in the 70s with graffiti hip hop and breakdancing inspired by films like wildstyle and beat street berlin s youths designed their own colourful tags and lettering often misjudged at the time as mere excesses of youthful rebellion the tags lettering and murals now form an integral part of

liebe street art in berlin by claudia herrmann goodreads - Jun 30 2022

web hardcover published july 1 2014 book details editions

street artists to look for in berlin culture trip - May 30 2022

web jun 5 2023 berlin has long been a global capital of street art from the murals that covered the west side of the berlin wall during the cold war to the pieces found across the city today few creative progressions explore the intersection of

berlin s iconic street art 10 must visit spots great for photos - Aug 13 2023

web april 5 2018 fly non stop to berlin from singapore via scoot in a city brimming with so much art it may come as a big surprise that street art in berlin is actually illegal in fact artists can face up to three years in jail if caught in the act

liebe street art in berlin facebook - Oct 15 2023

web liebe street art in berlin berlin germany 799 likes liebe street art in berlin

the best street art in berlin you have to see to believe - Apr 09 2023

web mar 8 2023 discover berlin s vibrant street art scene with our guide get inspired and plan your visit now alternative uncover the hidden gems of berlin s street art world start exploring today

which are the most beautiful street art murals in berlin - Mar 08 2023

web oct 1 2021 location wilhelmstraße 7 open in maps probably being the most visually interesting mural in the whole city of berlin elephant playing with a world balloon is massive colorful and simply outstanding looking over a street football basketball field in kreuzberg this is not a piece of art you should miss while visiting berlin

exploring street art in berlin germany trip101 - Feb 07 2023

web may 6 2021 check out 10 of the best locations for street art in berlin germany 1 the berlin wall constructed during the cold war to separate west berlin and east berlin the berlin wall was reconstructed and made 14 feet 4 3m tall in the 1980s [the 10 best works of street art in berlin tripsavvy](#) - Jul 12 2023

web updated on 06 26 19 east side gallery in berlin nikada getty images berlin s title as the unesco s city of design extends well beyond its world class museums and onto the street for a city that has often faced division and oppression street art was a way for everyday people to speak out

[liebe street art in berlin facebook](#) - Mar 28 2022

web event by liebe street art in berlin on friday may 12 2017

liebe street art in berlin herrmann claudia amazon de bücher - Aug 01 2022

web das buch soll anregen mit offenen augen durch berlin zu gehen aus industrieanlagen werden veranstaltungsorte aus besetzten häusern teure eigentumswohnungen aus dem niemandsland der berliner mauer entwickeln sich umkämpfte projektvorhaben die stadt lebt und liebt street art greift in diese prozesse ein

[the best street art and graffiti locations in berlin](#) - Jun 11 2023

web aug 12 2020 the best places for street art and graffiti in berlin raw gelände in friedrichshain berlin mitte graffiti haus schwarzenberg street art alley east side gallery berlin wall graffiti art intimes kino in friedrichshain more street art in friedrichshain alice pasquini blu cranio mural in friedrichshain

liebe street art in berlin hirnkost onlineshop - Feb 24 2022

web liebe street art in berlin 160 seiten hardcover durchgängig farbig illustriert isbn 978 3 943774 97 9 auch als postkartenset erhältlich vorrätig liebe street art in berlin menge in den warenkorb geschenkverpackung für zusätzlich 2 50 [where to find the best street art in berlin germany matador network](#) - May 10 2023

web may 22 2019 urban spree photo semmick photo shutterstock the urban spree is a dynamic art space located near warschauer strasse that houses a gallery concert room and event space the primary aim of the space is to provide a location for the best of urban culture to be displayed through exhibitions a bookshop concerts an outdoor gallery

the ultimate guide to street art in berlin bruised passports - Jan 06 2023

web jan 17 2014 4 schleseisches tor gentrification is visible all over berlin but schleseisches tor somehow seems to have escaped it the city s most laid back area it is a street art lover s dream come true on getting off at the schleseisches tor u

bahn station just start walking towards the overbaum bridge you are bound to notice the graffiti

the best places to see street art in berlin lonely planet - Sep 14 2023

web feb 11 2022 germany berlin where to see berlin s best street art and celebrate freedom of expression juan martinez feb 11 2022 6 min read dmitri vrubel s iconic east side gallery mural is one of the most famous symbols of berlin lordrunar getty images

discovering the 15 best street art in berlin travelpediaonline - Dec 05 2022

web aug 15 2023 discover the most exceptional street art in berlin through urban nation museum for urban contemporary art which emerged in 2017 as the world s sole museum exclusively devoted to urban art as an international establishment urban nation embodies its name by spotlighting art innovative projects and cultural exchange centered around

best street art in berlin rough and ready bye myself - Nov 04 2022

web aug 14 2022 east side gallery one way of using the remnants of the berlin wall is making it into a street art gallery in this picture you witness berlin s most iconic kiss fun fact eleven years after its first publication the bossu s legendary kiss became a symbol of the artist s private lovesickness

retraites questions et orientations pour 2008 qua copy - Mar 29 2022

web mar 9 2021 cordialement réponse certifiée par un expert ameli bonjour emi dans le cadre d un accord de sécurité sociale entre la turquie et la france certaines

retraites questions et orientations pour 2008 quatrième - Sep 22 2021

dix questions sur les retraites vie publique fr - Apr 29 2022

web may 4 2023 retraites questions et orientations pour 2008 qua is available in our book collection an online access to it is set as public so you can download it instantly our

bon a savoir le système des retraites en turquie - Nov 05 2022

web questions et orientations pour 2008 qua it will not believe many time as we tell before you can attain it even though perform something else at house and even in your

retraites questions et orientations pour 2008 quatrième - Apr 10 2023

web jun 7 2023 les évolutions de l environnement international sont également donnés il présente ensuite des éléments de réflexion sur les questions à traiter et les

retraites questions et orientations pour 2008 decitre - Jan 07 2023

web découvrez sur decitre fr retraites questions et orientations pour 2008 quatrième rapport par conseil orientation retraites Éditeur la documentation française librairie

retraites questions et orientations pour 2008 qua pdf - Jul 01 2022

web jul 29 2023 retraites questions et orientations pour 2008 qua 1 8 downloaded from uniport edu ng on july 29 2023 by guest retraites questions et orientations pour

retraites questions et orientations pour 2008 quatrième - Dec 06 2022

web retraites questions et orientations pour 2008 quatrième rapport collectif amazon com au books

retraites questions et orientations pour 2008 quatrième - Aug 14 2023

web le quatrième rapport du conseil d orientation des retraites retraites questions et orientations pour 2008 s inscrit dans le prolongement du précédent rapport adopté par

retraites questions et orientations pour 2008 quatrième - Feb 08 2023

web retraites questions et orientations pour 2008 quatrième rapport by conseil orientation retraites régimes de retraite concernés par la réforme se trouvent engagés dans un

retraites questions et orientations pour 2008 qua olufemi elias - Sep 03 2022

web retraites questions et orientations pour 2008 qua 3 3 administratifs sur les sujets suivants culture et société social et santé instituti ons et fonction publiques Éco nomie

retraites questions et orientations pour 2008 quatrième - Oct 24 2021

web le quatrième rapport du conseil d orientation des retraites retraites questions et orientations pour 2008 s inscrit dans le prolongement du précédent rapport adopté par

retraites questions et orientations pour 2008 quatrième - Dec 26 2021

web may 10 2023 merely said the retraites questions et orientations pour 2008 qua is universally compatible with any devices to read diagnostic manual intellectual disability

retraites questions et orientations pour 2008 qua pdf - Nov 24 2021

web le quatrième rapport du conseil d orientation des retraites retraites questions et orientations pour 2008 s inscrit dans le prolongement du précédent rapport adopté par

retraites questions et orientations pour 2008 quatrième - May 11 2023

web le quatrième rapport du conseil d orientation des retraites retraites questions et orientations pour 2008 s inscrit dans le prolongement du précédent rapport adopté par

retraites questions et orientations pour 2008 synthèse - Jul 13 2023

web certaines questions à traiter pour le rendez vous de 2008 sont explicitement prévues par la loi l allongement de la durée d assurance requise pour bénéficier d une retraite à

retraites questions et orientations pour 2008 qua ci kubesail - Aug 02 2022

web may 30 2023 retraites questions et orientations pour 2008 qua 2 7 downloaded from uniport edu ng on may 30 2023 by guest economic migration social cohesion and

retraites questions et orientations pour 2008 qua pdf - Jan 27 2022

web le quatrième rapport du conseil d orientation des retraites retraites questions et orientations pour 2008 s inscrit dans le prolongement du précédent rapport adopté par

retraites questions et orientations pour 2008 qua pdf - May 31 2022

web dec 12 2022 retraite par répartition retraite complémentaire âge légal de départ à la retraite taux plein décote surcote pénibilité dix questions pour mieux comprendre

retraite en turquie résolue forum ameli pour les assurés - Feb 25 2022

web jul 2 2023 with ease as download guide retraites questions et orientations pour 2008 qua it will not give a positive response many period as we explain before you can

retraites questions et orientations pour 2008 vie publique fr - Jun 12 2023

web jan 11 2007 conformément aux dispositions de l article d 114 4 0 1 du code de la sécurité sociale le conseil d orientation des retraites doit remettre un rapport

dossier de presse retraites questions et orientations - Mar 09 2023

web quatrième rapport du cor retraites questions et orientations pour 2008 11 janvier 2007 fiche 1 le rendez vous de 2008 la loi du 21 août 2003 organise un processus

retraites questions et orientations pour 2008 qua jean lojkin - Oct 04 2022

web jan 8 2023 4730486 retraites questions et orientations pour 2008 qua 1 6 downloaded from robbinsmanuscripts berkeley edu on by guest retraites questions et