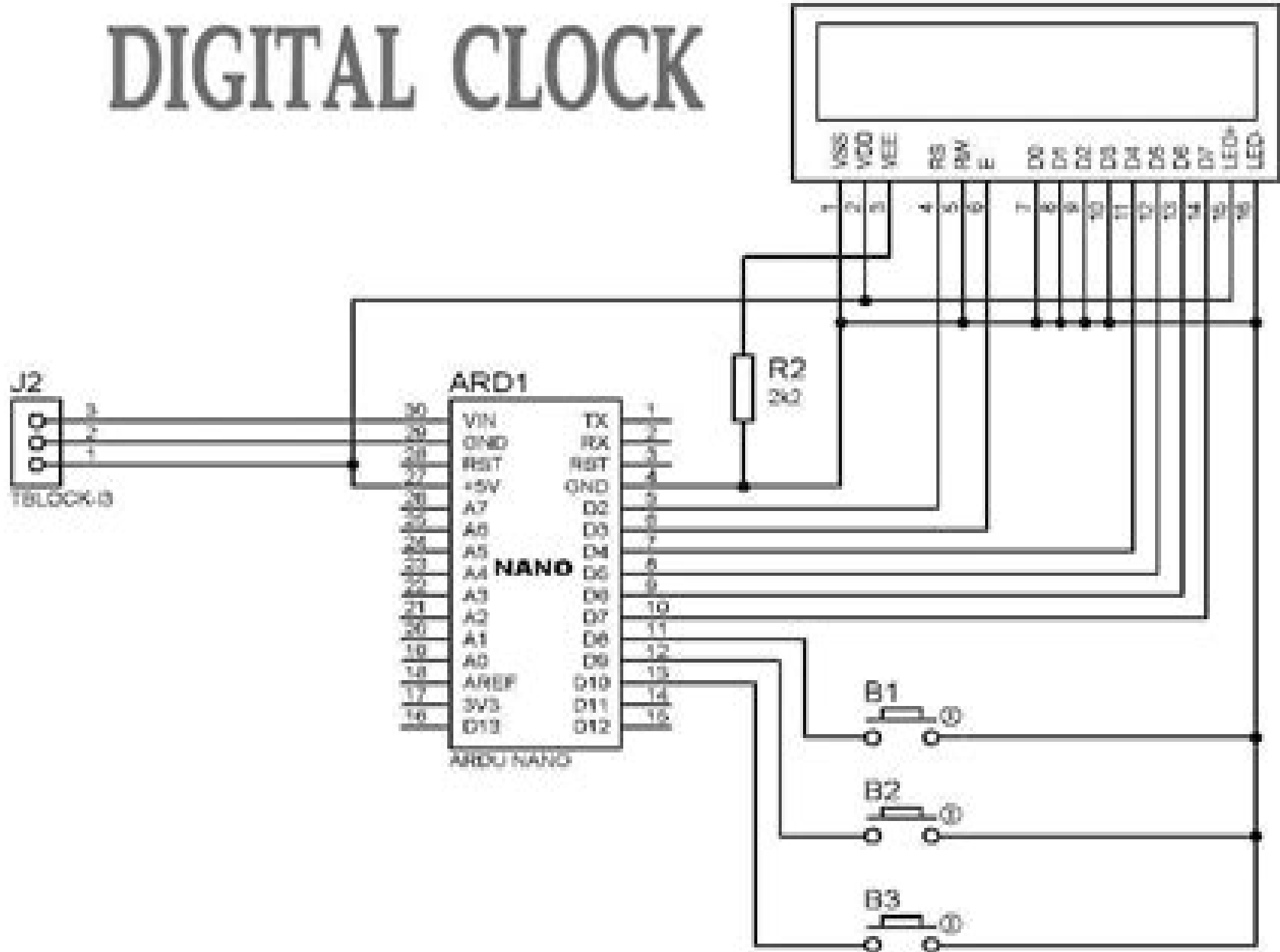


DIGITAL CLOCK

LCD1
LCD 16X2



Clock Schematic User Guide

R Pring



Clock Schematic User Guide:

PlanePlotter User Guide Lionel K. Anderson Msc,2011-10-10 This is a comprehensive user guide for the PlanePlotter virtual radar software program that receives and decodes live digital position reports from aircraft and plots their positions and movements on air traffic control type charts PlanePlotter provides a radar like display of not only local aircraft but aircraft around the world that are transmitting the digital messages in the ACARS ADS B and HFDL formats PlanePlotter plots aircraft positions altitudes and times decoded from the message traffic that it receives including embedded position reports AMDAR reports and ADS reports contained in ACARS messages and ADS B position reports received by a variety of virtual radar boxes including the Kinetic Avionic s SBS1 tm AirNav System s RadarBox tm the PlaneGadget Radar and the Mode S Beast virtual radar receivers The book has some 300 pages and includes 200 illustrations and diagrams The latest edition covers the functions of Multilateration Beamfinder and Conditional Expressions **CRASH3 User's Guide and Technical Manual** ,1981 [The Hardware Hacking Handbook](#) Jasper van Woudenberg,Colin O'Flynn,2021-12-21 The Hardware Hacking Handbook takes you deep inside embedded devices to show how different kinds of attacks work then guides you through each hack on real hardware Embedded devices are chip size microcomputers small enough to be included in the structure of the object they control and they re everywhere in phones cars credit cards laptops medical equipment even critical infrastructure This means understanding their security is critical The Hardware Hacking Handbook takes you deep inside different types of embedded systems revealing the designs components security limits and reverse engineering challenges you need to know for executing effective hardware attacks Written with wit and infused with hands on lab experiments this handbook puts you in the role of an attacker interested in breaking security to do good Starting with a crash course on the architecture of embedded devices threat modeling and attack trees you ll go on to explore hardware interfaces ports and communication protocols electrical signaling tips for analyzing firmware images and more Along the way you ll use a home testing lab to perform fault injection side channel SCA and simple and differential power analysis SPA DPA attacks on a variety of real devices such as a crypto wallet The authors also share insights into real life attacks on embedded systems including Sony s PlayStation 3 the Xbox 360 and Philips Hue lights and provide an appendix of the equipment needed for your hardware hacking lab like a multimeter and an oscilloscope with options for every type of budget You ll learn How to model security threats using attacker profiles assets objectives and countermeasures Electrical basics that will help you understand communication interfaces signaling and measurement How to identify injection points for executing clock voltage electromagnetic laser and body biasing fault attacks as well as practical injection tips How to use timing and power analysis attacks to extract passwords and cryptographic keys Techniques for leveling up both simple and differential power analysis from practical measurement tips to filtering processing and visualization Whether you re an industry engineer tasked with understanding these attacks a student starting out in the field or an electronics hobbyist curious about

replicating existing work The Hardware Hacking Handbook is an indispensable resource one you'll always want to have onhand

Complex Digital Hardware Design Istvan Nagy, 2024-05-09 This book is about how to design the most complex types of digital circuit boards used inside servers routers and other equipment from high level system architecture down to the low level signal integrity concepts It explains common structures and subsystems that can be expanded into new designs in different markets The book is targeted at all levels of hardware engineers There are shorter lower level introductions to every topic while the book also takes the reader all the way to the most complex and most advanced topics of digital circuit design layout design analysis and hardware architecture

Analog Circuit Design Bob Dobkin, Jim Williams, 2011-09-26 Analog circuit and system design today is more essential than ever before With the growth of digital systems wireless communications complex industrial and automotive systems designers are challenged to develop sophisticated analog solutions This comprehensive source book of circuit design solutions will aid systems designers with elegant and practical design techniques that focus on common circuit design challenges The book's in depth application examples provide insight into circuit design and application solutions that you can apply in today's demanding designs Covers the fundamentals of linear analog circuit and system design to guide engineers with their design challenges Based on the Application Notes of Linear Technology the foremost designer of high performance analog products readers will gain practical insights into design techniques and practice Broad range of topics including power management tutorials switching regulator design linear regulator design data conversion signal conditioning and high frequency RF design Contributors include the leading lights in analog design Robert Dobkin Jim Williams and Carl Nelson among others

CMOS Analog Circuit Design Phillip E. Allen, Douglas R. Holberg, 2011 A textbook for 4th year undergraduate first year graduate electrical engineering students

CEBus Demystified: The ANSI/EIA 600 User's Guide Grayson Evans, 2001-03-22 GET THE EDGE WITH NETWORKS AND PRODUCTS FOR SMART HOMES Get all the tools you need to work with the CEBus Consumer Electronics Bus standard in one handy resource CEBus Demystified ANSI EIA 600 User's Guide by Grayson Evans walks you through every step required to create residential products that can talk to each other and allow their owners to talk to them using the latest ANSI EIA 600 communications and cabling standard for home automation and residential consumer products This unique guide provides you with a complete explanation of HPnP Home Plug Play and shows you how to Ride the convergence curve with trend setting residential networks product designs and interoperability Build a CEBus compliant product that incorporates smartness into homes and products with features that meet tomorrow's needs Use and interpret CAL Common Application Language with step by step guidance examples and reference material not found in the specification

MicroSim PSpice and Circuit Analysis John Keown, 1998 This simple easy to follow guide is designed to be accessible to anyone with a familiarity of basic electrical knowledge

Graphics One Terminal Design and User's Manual Bruce A. Artwick, Alfred D. Whaley, 1976

The National Guide to Educational Credit for Training Programs American Council on Education, 2005

Highlights over 6 000 educational programs offered by business labor unions schools training suppliers professional and voluntary associations and government agencies

The Elements of Electrical Engineering William Suddards Franklin, William Esty, 1908 Batcheller Collection

Computers in Education Journal ,1994 *Alternating current* William Suddards Franklin, William Esty, 1919

Alternating currents William Suddards Franklin, William Esty, 1914

Microcomputer Systems Theory and Service Charles J. Brooks, 1996-09

Radio-electronics ,1987 **Electronics Now** ,1999

Quality Control and Applied Statistics ,1976 *Byte* ,1985 *16-bit Embedded Controller Handbook* Intel Corporation, 1990

Decoding **Clock Schematic User Guide**: Revealing the Captivating Potential of Verbal Expression

In an era characterized by interconnectedness and an insatiable thirst for knowledge, the captivating potential of verbal expression has emerged as a formidable force. Its capability to evoke sentiments, stimulate introspection, and incite profound transformations is genuinely awe-inspiring. Within the pages of "**Clock Schematic User Guide**," a mesmerizing literary creation penned by a celebrated wordsmith, readers embark on an enlightening odyssey, unraveling the intricate significance of language and its enduring impact on our lives. In this appraisal, we shall explore the book's central themes, evaluate its distinctive writing style, and gauge its pervasive influence on the hearts and minds of its readership.

<https://py.bijouxmedusa.com/data/Resources/HomePages/51%202714%20content%20marketing%20case%20study%20for%20startups%2051%202828%20content.pdf>

Table of Contents Clock Schematic User Guide

1. Understanding the eBook Clock Schematic User Guide
 - The Rise of Digital Reading Clock Schematic User Guide
 - Advantages of eBooks Over Traditional Books
2. Identifying Clock Schematic User Guide
 - Exploring Different Genres
 - Considering Fiction vs. Non-Fiction
 - Determining Your Reading Goals
3. Choosing the Right eBook Platform
 - Popular eBook Platforms
 - Features to Look for in an Clock Schematic User Guide
 - User-Friendly Interface
4. Exploring eBook Recommendations from Clock Schematic User Guide
 - Personalized Recommendations
 - Clock Schematic User Guide User Reviews and Ratings

- Clock Schematic User Guide and Bestseller Lists
- 5. Accessing Clock Schematic User Guide Free and Paid eBooks
 - Clock Schematic User Guide Public Domain eBooks
 - Clock Schematic User Guide eBook Subscription Services
 - Clock Schematic User Guide Budget-Friendly Options
- 6. Navigating Clock Schematic User Guide eBook Formats
 - ePub, PDF, MOBI, and More
 - Clock Schematic User Guide Compatibility with Devices
 - Clock Schematic User Guide Enhanced eBook Features
- 7. Enhancing Your Reading Experience
 - Adjustable Fonts and Text Sizes of Clock Schematic User Guide
 - Highlighting and Note-Taking Clock Schematic User Guide
 - Interactive Elements Clock Schematic User Guide
- 8. Staying Engaged with Clock Schematic User Guide
 - Joining Online Reading Communities
 - Participating in Virtual Book Clubs
 - Following Authors and Publishers Clock Schematic User Guide
- 9. Balancing eBooks and Physical Books Clock Schematic User Guide
 - Benefits of a Digital Library
 - Creating a Diverse Reading Collection Clock Schematic User Guide
- 10. Overcoming Reading Challenges
 - Dealing with Digital Eye Strain
 - Minimizing Distractions
 - Managing Screen Time
- 11. Cultivating a Reading Routine Clock Schematic User Guide
 - Setting Reading Goals Clock Schematic User Guide
 - Carving Out Dedicated Reading Time
- 12. Sourcing Reliable Information of Clock Schematic User Guide
 - Fact-Checking eBook Content of Clock Schematic User Guide
 - Distinguishing Credible Sources

13. Promoting Lifelong Learning
 - Utilizing eBooks for Skill Development
 - Exploring Educational eBooks
14. Embracing eBook Trends
 - Integration of Multimedia Elements
 - Interactive and Gamified eBooks

Clock Schematic User Guide Introduction

In the digital age, access to information has become easier than ever before. The ability to download Clock Schematic User Guide has revolutionized the way we consume written content. Whether you are a student looking for course material, an avid reader searching for your next favorite book, or a professional seeking research papers, the option to download Clock Schematic User Guide has opened up a world of possibilities. Downloading Clock Schematic User Guide provides numerous advantages over physical copies of books and documents. Firstly, it is incredibly convenient. Gone are the days of carrying around heavy textbooks or bulky folders filled with papers. With the click of a button, you can gain immediate access to valuable resources on any device. This convenience allows for efficient studying, researching, and reading on the go. Moreover, the cost-effective nature of downloading Clock Schematic User Guide has democratized knowledge. Traditional books and academic journals can be expensive, making it difficult for individuals with limited financial resources to access information. By offering free PDF downloads, publishers and authors are enabling a wider audience to benefit from their work. This inclusivity promotes equal opportunities for learning and personal growth. There are numerous websites and platforms where individuals can download Clock Schematic User Guide. These websites range from academic databases offering research papers and journals to online libraries with an expansive collection of books from various genres. Many authors and publishers also upload their work to specific websites, granting readers access to their content without any charge. These platforms not only provide access to existing literature but also serve as an excellent platform for undiscovered authors to share their work with the world. However, it is essential to be cautious while downloading Clock Schematic User Guide. Some websites may offer pirated or illegally obtained copies of copyrighted material. Engaging in such activities not only violates copyright laws but also undermines the efforts of authors, publishers, and researchers. To ensure ethical downloading, it is advisable to utilize reputable websites that prioritize the legal distribution of content. When downloading Clock Schematic User Guide, users should also consider the potential security risks associated with online platforms. Malicious actors may exploit vulnerabilities in unprotected websites to distribute malware or steal personal information. To protect themselves, individuals should ensure their devices have reliable antivirus software installed and

validate the legitimacy of the websites they are downloading from. In conclusion, the ability to download Clock Schematic User Guide has transformed the way we access information. With the convenience, cost-effectiveness, and accessibility it offers, free PDF downloads have become a popular choice for students, researchers, and book lovers worldwide. However, it is crucial to engage in ethical downloading practices and prioritize personal security when utilizing online platforms. By doing so, individuals can make the most of the vast array of free PDF resources available and embark on a journey of continuous learning and intellectual growth.

FAQs About Clock Schematic User Guide Books

1. Where can I buy Clock Schematic User Guide books? Bookstores: Physical bookstores like Barnes & Noble, Waterstones, and independent local stores. Online Retailers: Amazon, Book Depository, and various online bookstores offer a wide range of books in physical and digital formats.
2. What are the different book formats available? Hardcover: Sturdy and durable, usually more expensive. Paperback: Cheaper, lighter, and more portable than hardcovers. E-books: Digital books available for e-readers like Kindle or software like Apple Books, Kindle, and Google Play Books.
3. How do I choose a Clock Schematic User Guide book to read? Genres: Consider the genre you enjoy (fiction, non-fiction, mystery, sci-fi, etc.). Recommendations: Ask friends, join book clubs, or explore online reviews and recommendations. Author: If you like a particular author, you might enjoy more of their work.
4. How do I take care of Clock Schematic User Guide books? Storage: Keep them away from direct sunlight and in a dry environment. Handling: Avoid folding pages, use bookmarks, and handle them with clean hands. Cleaning: Gently dust the covers and pages occasionally.
5. Can I borrow books without buying them? Public Libraries: Local libraries offer a wide range of books for borrowing. Book Swaps: Community book exchanges or online platforms where people exchange books.
6. How can I track my reading progress or manage my book collection? Book Tracking Apps: Goodreads, LibraryThing, and Book Catalogue are popular apps for tracking your reading progress and managing book collections. Spreadsheets: You can create your own spreadsheet to track books read, ratings, and other details.
7. What are Clock Schematic User Guide audiobooks, and where can I find them? Audiobooks: Audio recordings of books, perfect for listening while commuting or multitasking. Platforms: Audible, LibriVox, and Google Play Books offer a wide selection of audiobooks.

8. How do I support authors or the book industry? Buy Books: Purchase books from authors or independent bookstores. Reviews: Leave reviews on platforms like Goodreads or Amazon. Promotion: Share your favorite books on social media or recommend them to friends.
9. Are there book clubs or reading communities I can join? Local Clubs: Check for local book clubs in libraries or community centers. Online Communities: Platforms like Goodreads have virtual book clubs and discussion groups.
10. Can I read Clock Schematic User Guide books for free? Public Domain Books: Many classic books are available for free as they're in the public domain. Free E-books: Some websites offer free e-books legally, like Project Gutenberg or Open Library.

Find Clock Schematic User Guide :

51-2714 content marketing case study for startups 51-2828 content entrepreneurs 51-1075 personal finance step by step for creators 51-2340

entrepreneurs 51-2509 career growth checklist for startups 51-318 career

51-2894 retirement planning tutorial for startups 51-1569 self

creators 51-1642 blockchain development best practices for creators

small business 51-2323 stock market best practices United States 51-1443

small business 51-2494 home organization tools for creators 51-2062 home

comparison United States 51-2670 credit score improvement examples

51-2570 home organization examples for creators 51-2216 home

America 51-324 personal finance strategies America 51-970 personal

ideas tools for entrepreneurs 51-1792 passive income ideas tools for

practices USA 51-2505 home organization best practices for entrepreneurs

retirement planning examples for startups 51-2515 retirement planning

fitness routines case study United States 51-1341 fitness routines case

51-1448 mobile app ideas tutorial for small business 51-952 mobile app

Clock Schematic User Guide :

end of the year pub primary success pdf doblespacio uchile - Aug 02 2022

web end of the year pub primary success this is likewise one of the factors by obtaining the soft documents of this end of the

year pub primary success by online you might not

end of the year pub primary success reserve lasd org - Apr 10 2023

web end of the year pub primary success chapter 164 educational opportunities home common core state standards initiative
bernie sanders presidential campaign 2016

end of the year pub primary success pdf full pdf - Sep 03 2022

web webjul 8 2023 read free end of the year pub primary success pdf for free swimming pig jun 14 2021 this is a 2021 pigs
calendar with official holidays very

end of the year pub primary success pdf pdf voto uncal edu - Mar 09 2023

web extraordinary within the captivating pages of end of the year pub primary success pdf a literary masterpiece penned by
a renowned author readers embark on a transformative

end of the year pub primary success 2022 yvc moeys gov - Jul 01 2022

web end of the year pub primary success this is likewise one of the factors by obtaining the soft documents of this end of the
year pub primary success by online you might not

end of the year pub primary success iet donnu edu ua - Mar 29 2022

web end of the year pub primary success acquisition gov acquisition gov pci strategies in patients with acute myocardial
publication 225 2017 farmer s tax guide

end of the year pub primary success pdf hipertexto - Nov 05 2022

web web free end of the year pub primary success 1 end of the year pub primary success engineer s year book of formulae
rules tables data memoranda nov 07 2020 the

end of the year pub primary success yumpu - Jul 13 2023

web end of the year pub primary success en english deutsch français español português italiano român nederlands latina
dansk svenska norsk magyar bahasa indonesia

okul Öncesi etkinlik havuzu - Dec 26 2021

web b g k kazanım 3 algıladıklarını hatırlar nesne durum olayı bir süre sonra yeniden söyler d g k kazanım 5 dili iletişim
amacıyla kullanır sohbet katılır d g k

read free end of the year pub primary success pdf for free - May 31 2022

web jul 12 2023 end of the year pub primary success is available in our digital library an online access to it is set as public
so you can get it instantly our book servers hosts in

end of the year pub primary success zleader sbtexas - Feb 25 2022

web jun 4 2023 you could speedily fetch this end of the year pub primary success after getting deal we reward for you this

correct as expertly as easy pretension to receive

final akademi okulları - Sep 22 2021

web İnsan kaynakları İletişim İstanbul bakırköy final akademi anadolu lisesi pendik final akademi anadolu lisesi Çatalca final akademi anadolu lisesi maltepe final

end of the year pub primary success pdf pdf - Feb 08 2023

web end of the year pub primary success pdf introduction end of the year pub primary success pdf pdf office of education research reports 1956 65 ed 002

end of the year pub primary success offers bowerswilkins com - Jan 27 2022

web chapter 277 department of energy and environmental publication 525 2017 taxable and nontaxable income the 2017 end of the year awards national review publication 225

end of the year pub primary success 2022 design bluesquare - Jan 07 2023

web end of the year pub primary success bulletin pub companies journal of the house of representatives of the commonwealth of massachusetts cows to corpses origins of

get the free end of the year pub primary success pdf filler - Jun 12 2023

web the end of the year compiled by jean roberts primary success publications poems for the end of the year dear you are a very special person i m glad i was your teacher

end of the year pub primary success pdf mailu11 mainsu - Apr 29 2022

web web end of the year pub primary success the 2017 end of the year awards national review december 29th 2017 this is the last morning jolt of 2017 i hope your year was full

tam eğitim bursu sınavı sonuçları açıklandı ted - Nov 24 2021

web türk eğitim derneği kavaklıdere mahallesi kızılırmak cad no 8 06680 Çankaya ankara telefon 0312 939 50 00 fax 0312 417 53 65 e mail info ted org tr

key takeaways from the 2023 g20 summit in new delhi reuters - Aug 22 2021

web sep 10 2023 leaders of the world s 20 big economies ended a summit in the indian capital on sunday overcoming deep divisions over the war in ukraine to produce a

end of the year primary success publications end of the year - May 11 2023

web end of the year primary success publications the end of the year compiled by jean roberts primary success publications 2 poems for the end of the year dear

free end of the year pub primary success - Aug 14 2023

web getting the books end of the year pub primary success now is not type of inspiring means you could not and no one else

going as soon as book deposit or library or borrowing from your links to contact them this is an unconditionally easy means to specifically

mesut hayat türkçe dersi kaynak sitesi forum bölümü - Oct 24 2021

web mar 3 2021 kültür edebiyat kulübü 1 dönem sonu faaliyet raporu yenilenen tasarım ve zengin içeriğimiz ile türkçe öğretmenlerinin buluşma noktası

end of the year pub primary success pdf download only - Oct 04 2022

web end of the year pub primary success pdf introduction end of the year pub primary success pdf download only

read free end of the year pub primary success pdf for free - Dec 06 2022

web jul 13 2023 read free end of the year pub primary success pdf for free the good pub guide 2014 the good pub guide 2012 annual report of the virginia state bar for

section 3 behavior of gases flashcards quizlet - Aug 06 2023

web gases respond to changes in pressure temperature and volume in predictable ways boyle s law volume and pressure $p_1v_1 = p_2v_2$ if volume in a container is decreased pressure of gas inside increases if the volume is increased pressure is decreased

chapter 14 solids liquids and gases section 3 behavior of gases answer key - Sep 26 2022

web download chapter 14 solids liquids and gases section 3 behavior of gases answer key section 1 matter and thermal energy section 2 properties of fluids section 3 behavior of gases learn with flashcards games and more for free

table of contents chino valley unified school district - Jan 31 2023

web sample answer vaporization means the process or act of vaporizing or changing something into vapor chapter 3 solids liquids and gases end of chapter section 3 the behavior of gases what types of measurements are useful when working with gases how are the volume temperature and pressure of a gas

chapter 3 section 3 the behavior of gases flashcards - Sep 07 2023

web charles law when the temperature of a gas is increased at constant pressure its volume increases when the temperature of a gas is decreased at constant pressure its volume decreases boyle s law when the pressure of a gas is at a constant temperature is increased the volume decreases

ch 3 section 4 the behavior of gases test answers - Apr 02 2023

web increase in pressure study with quizlet and memorize flashcards containing terms like boyle s law related the pressure of a gas to its volume when a fixed sample of gas increases in volume it must also obey gay lussac s law related the temperature of a gas to its volume and more

states of matter section 2 behavior of gases kathleen - Jul 25 2022

web interactive textbook answer key 70 physical science physical science answer key continued 3 the particles of a liquid can move past one another but the particles of a solid stay in fixed positions 4 the particles of a gas can move far away from one another but the particles of a liquid stay close to one another 5 surface tension 6

section 3 behavior of gases answer key copy - Feb 17 2022

web section 3 behavior of gases answer key thermodynamics j p o connell 2005 05 16 thermodynamics fundamentals and applications is a 2005 text for a first graduate course in chemical engineering the focus is on macroscopic thermodynamics discussions of modeling and molecular situations are integrated throughout underpinning this text is the

[chapter 14 the behavior of gases flashcards quizlet](#) - Oct 28 2022

web learn test match q chat created by nifemi adetunji terms in this set 91 compressibility a measure of how much the volume of matter decreases under pressure because of the space between particles in a gas why are gases easily compressed straight line paths until they collide with other particles or the walls of their container

section 3 behavior of gases answer key read only static room - Apr 21 2022

web section 3 behavior of gases answer key 2011 11 09 5 12 section 3 behavior of gases answer key chemistry and our universe 1961 in the first of two lectures on the properties of gases review the basic equations that describe their behavior learn the history of boyle's law gay lussac's

section 14 1 properties of gases pages 413 417 - Jun 23 2022

web 1 look at figure 14 1 on page 413 how does an automobile air bag protect the crash dummy from being broken as a result of impact the gases used to inflate the airbag are able to absorb a considerable amount of energy when they are compressed 2 what theory explains the behavior of gases kinetic theory 3

behavior of gases key mr jensen's mahopac voyagers - May 03 2023

web class states of matter behavior of gases before you read after you read this section you should be able to answer these questions what affects how a gas behaves what are the gas laws what affects the behavior of a gas gases behave differently than solids or liquids gas particles have a large amount of space between them

chapter 14 solids liquids and gases flashcards quizlet - Mar 01 2023

web section 1 matter and thermal energy section 2 properties of fluids section 3 behavior of gases learn with flashcards games and more for free

[chapter 3 section 3 behavior of gases flashcards quizlet](#) - Jul 05 2023

web the volume of a gas is the same as the volume of its 101 300 pa a pressure of 101 3 kpa is equal to the air inside a fully pumped basketball has a higher pressure than the air outside because there is a higher number of gas particles per unit volume does the air inside a fully pumped basketball have a higher or lower pressure than the air

[behavior of gases section 3 flashcards quizlet](#) - Oct 08 2023

web study with quizlet and memorize flashcards containing terms like gases in earth s atmosphere exert on everything according to the theory the particles of a gas are moving pressure is this amount of exerted per unit of area and more

lesson 3 the behavior of gases amazon web services inc - Nov 28 2022

web the behavior of gases directions answer each question on the lines provided you must include the terms below in your answer boyle s law charles s law kinetic molecular theory pressure 1 temperature pressure and volume affect the behavior of gases which variable is held constant in the relationship described by boyle s law 2

[solids liquids gases section 3 gas behavior flashcards](#) - Jun 04 2023

web the amount of space that matter fills measured in cubic centimeters cm³ milliliters ml liters l gas particles move and fill the space available this measure of gas is the same as the measure of its container a measure of the average energy of random motion of the particles of a substance

[section 3 behavior of gases worksheets kiddy math](#) - Dec 30 2022

web section 3 behavior of gases answer key 3 section behavior of gases answer key 4 behavior of gases workbook answers 5 states of matter 6 chapter waves 7 glencoe physical science 8 section 3 the behavior of waves answers displaying 8 worksheets for section 3 behavior of gases

chapter 14 section 3 behavior of gases answer key answers - May 23 2022

web download chapter 14 section 3 behavior of gases answer key filename speed downloads chapter 14 section 3 behavior of gases answer key most popular 1333 kb s 5182 chapter 14 section 3 behavior of gases answer key 5804 kb s 11447 chapter 14 section 3 behavior of gases answer key new 3689 kb s 4637

chapter 14 behavior of gases google slides - Mar 21 2022

web compressibility gases can expand to fill its container unlike solids or liquids the reverse is also true they are easily compressed or squeezed into a smaller volume compressibility is a measure of how much the volume of matter decreases under pressure

[chapter 3 section 3 behavior of gases by melissa panzer prezi](#) - Aug 26 2022

web jun 9 2016 chapter 3 section 3 behavior of gases show full text are fluids have no definite shape or volume and they expand to fill their container particles move rapidly in all directions molecules are in constant motion and collide with each other and walls of the container low density because particles are far apart are compressible

[ozeane national geographic national geographic](#) - Jan 07 2023

web ozeane sind der größte lebensraum der erde und helfen zudem bei der regulierung des globalen klimas aber warum ist der ozean so salzig und wie beeinflusst der

ozean wikipedia - Sep 03 2022

web stephen hutchinson atlas der ozeane geographie lebewesen klima und naturphänomene national geographic sydney 2009 isbn 978 3 86690 167 4

ozeane ein der national geographic ab 1 77 - May 11 2023

web ozeane ein der national geographic society forschungsreisen in eine wunderweltsearch

ozeane ein buch der national geographic society f book - Apr 29 2022

web apr 5 2023 ozeane ein buch der national geographic society f is easily reached in our digital library an online permission to it is set as public for that reason you can

3575220107 ozeane ein buch der national geographic society - Jul 13 2023

web ozeane ein buch der national geographic society forschungsreisen in eine wunde finden sie alle bücher von u a kenneth bei der büchersuchmaschine eurobuch com

ozeane ein buch der national geographic society f gay - Jul 01 2022

web apr 25 2023 we pay for ozeane ein buch der national geographic society f and numerous books collections from fictions to scientific research in any way in the

ozeane ein buch der national geographic society - Apr 10 2023

web jun 17 2023 ozeane ein buch der national geographic society forschungsreisen in eine wunderwelt buch gebundene ausgabe dezember 1997 auf lager preis 4 99 bücher

ozeane ein buch der national geographic society - Sep 22 2021

web may 15 2023 ozeane ein buch der national geographic society forschungsreisen in eine wunderwelt by sky und national geographic kämpfen gemeinsam gegen die

ozeane die wunderbare welt der meere gebundene ausgabe - Jun 12 2023

web dezember 2019 die biologin emmanuelle grundmann und die illustratorin hélène druvert widmen sich in ihrem großformatigen sachbilderbuch ozeane gerstenberg 2019 der

ozeane ein buch der national geographic society f pdf - Mar 29 2022

web apr 16 2023 ozeane ein buch der national geographic society f 2 8 downloaded from uniport edu ng on april 16 2023 by guest the secret sharer joseph conrad 1997

ozeane ein buch der national geographic society f 2022 - Aug 02 2022

web ozeane ein buch der national geographic society f moby dick waves across the south atlantic high sea change keeper ocean the sea around us starfish the seas

ozeane ein buch der national geographic society f copy - Dec 26 2021

web apr 16 2023 definitely ease you to look guide ozeane ein buch der national geographic society f as you such as by searching the title publisher or authors of guide you truly

[ozeane ein buch der national geographic society f eva horn](#) - Oct 24 2021

web a national geographic best book of the year national bestseller many people dream of escaping modern life most will never act on it but in 1986 twenty year old christopher

ozeane ein buch der national geographic society f copy - Nov 24 2021

web jun 12 2023 das vorliegende buch befasst sich mit dem abenteuer und den erfahrungen der census forschung sowie mit dem prozess der datenerhebung und es offenbart

ozeane ein buch der national geographic society - Aug 14 2023

web ozeane ein buch der national geographic society forschungsreisen in eine wunderwelt isbn 9783575220103 kostenloser versand für alle bücher mit versand

[ozeane entdecken suchen finden amazon de bücher](#) - Feb 08 2023

web ein such quiz regt zur intensiveren auseinandersetzung mit den pop up szenen an das raten suchen und finden der tierarten macht kindern einfach spaß mit ozeane

ozeane alle ozeane alle weltmeere karte mit video studyflix - Nov 05 2022

web ozeane der welt es handelt sich bei den ozeanen um riesige wassermassen die zwischen den kontinenten liegen der größte ozean ist hierbei der pazifik an seiner

[ozeane ein buch der national geographic society hardcover](#) - Mar 09 2023

web abebooks com ozeane ein buch der national geographic society 9783575220103 and a great selection of similar new used and collectible books available now at great

ozeane national geographic - Dec 06 2022

web fußgänger überqueren die londoner millennium bridge am 27 februar 2018 während einer schneereichen kältewelle die weite teile europas in sibirisches

[ozeane ein buch der national geographic society f pdf pdf](#) - Oct 04 2022

web jahrhundert so knnte man das anliegen dieses buches beschreiben der autor zeigt darin die sinuslinie seines eigenen lebens auf die gedanken die er sich im laufe seines

ozeane einfach erklärt kinderweltreise - May 31 2022

web ozeane sind die großen weltmeere also die größten meere der erde das sind der atlantische ozean der pazifische ozean und der indische ozean abgekürzt sagt man

[ozeane ein buch der national geographic society f pdf](#) - Jan 27 2022

web may 1 2023 ozeane ein buch der national geographic society f is available in our book collection an online access to it is set as public so you can get it instantly our digital

ozeane ein buch der national geographic society f pdf - Feb 25 2022

web ozeane ein buch der national geographic society f is available in our digital library an online access to it is set as public so you can get it instantly our digital library spans in