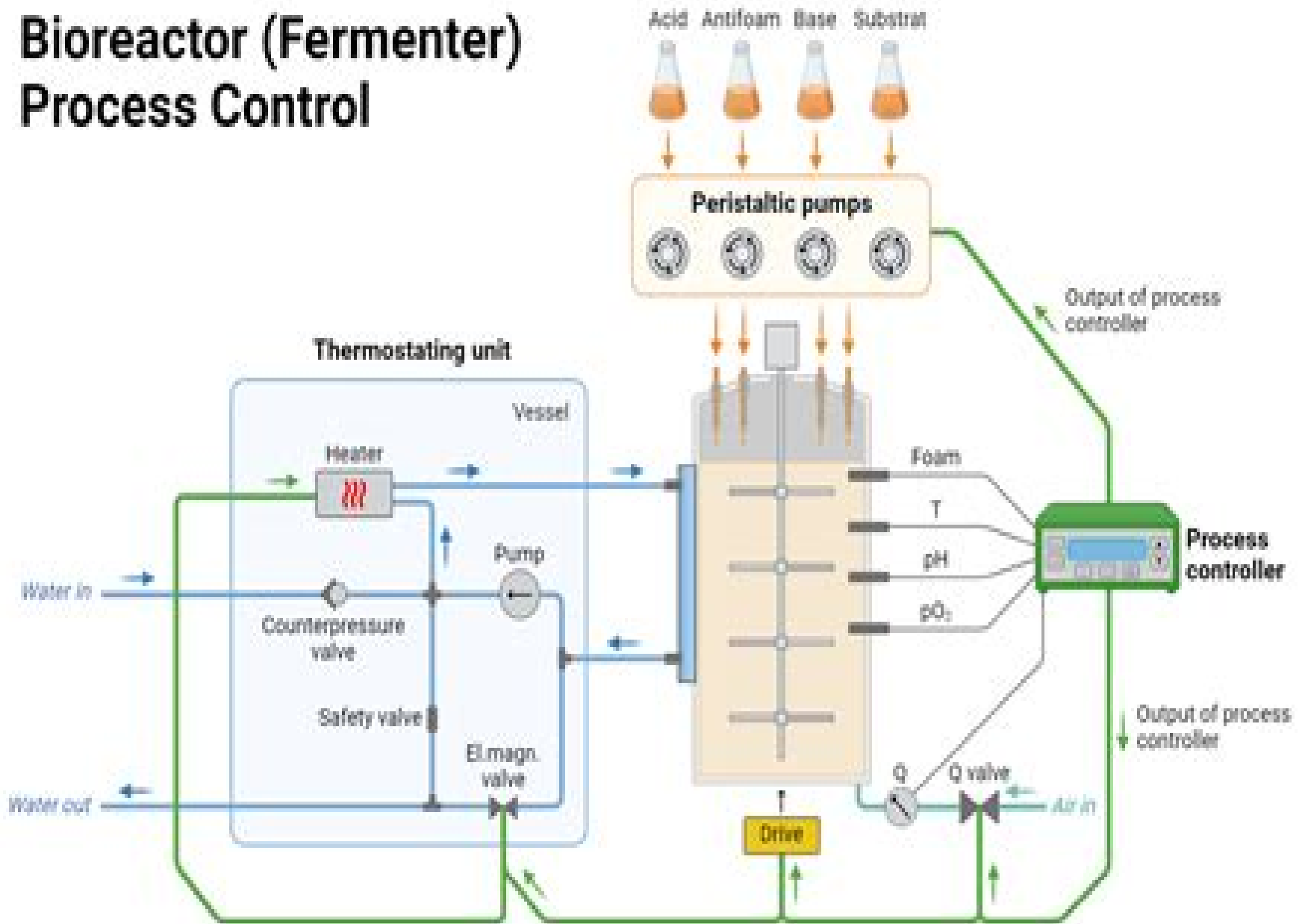


Bioreactor (Fermenter) Process Control



Bioreactor Design And Bioprocess Controls For

Christian G. Meyer



Bioreactor Design And Bioprocess Controls For:

The Captivating World of Kindle Books: A Comprehensive Guide Revealing the Benefits of Kindle Books: A World of Ease and Flexibility Kindle books, with their inherent portability and simplicity of access, have liberated readers from the constraints of hardcopy books. Gone are the days of lugging bulky novels or meticulously searching for specific titles in shops. Kindle devices, stylish and portable, seamlessly store an wide library of books, allowing readers to immerse in their favorite reads anytime, anywhere. Whether commuting on a bustling train, relaxing on a sun-kissed beach, or just cozying up in bed, Kindle books provide an unparalleled level of convenience. A Literary World Unfolded: Exploring the Vast Array of E-book Bioreactor Design And Bioprocess Controls For Bioreactor Design And Bioprocess Controls For The E-book Store, a virtual treasure trove of literary gems, boasts an extensive collection of books spanning diverse genres, catering to every readers preference and preference. From captivating fiction and mind-stimulating non-fiction to timeless classics and modern bestsellers, the E-book Store offers an unparalleled abundance of titles to explore. Whether seeking escape through immersive tales of imagination and adventure, diving into the depths of past narratives, or broadening ones understanding with insightful works of science and philosophy, the E-book Store provides a gateway to a bookish world brimming with endless possibilities. A Game-changing Factor in the Literary Scene: The Lasting Influence of Kindle Books Bioreactor Design And Bioprocess Controls For The advent of Kindle books has certainly reshaped the literary landscape, introducing a model shift in the way books are published, distributed, and consumed. Traditional publishing houses have embraced the digital revolution, adapting their approaches to accommodate the growing demand for e-books. This has led to a rise in the accessibility of Kindle titles, ensuring that readers have access to a vast array of literary works at their fingers. Moreover, Kindle books have equalized access to books, breaking down geographical barriers and offering readers worldwide with similar opportunities to engage with the written word. Regardless of their place or socioeconomic background, individuals can now engross themselves in the intriguing world of literature, fostering a global community of readers. Conclusion: Embracing the Kindle Experience Bioreactor Design And Bioprocess Controls For Kindle books Bioreactor Design And Bioprocess Controls For, with their inherent ease, versatility, and wide array of titles, have unquestionably transformed the way we encounter literature. They offer readers the freedom to explore the boundless realm of written expression, whenever, anywhere. As we continue to travel the ever-evolving online landscape, Kindle books stand as testament to the persistent power of storytelling, ensuring that the joy of reading remains reachable to all.

<https://py.bijouxmedusa.com/book/virtual-library/fetch.php/Growth%20Guide%20America%2041%202548%20Career%20Growth%20Guide%20USA%2041%201364%20Career.pdf>

Table of Contents Bioreactor Design And Bioprocess Controls For

1. Understanding the eBook Bioreactor Design And Bioprocess Controls For
 - The Rise of Digital Reading Bioreactor Design And Bioprocess Controls For
 - Advantages of eBooks Over Traditional Books
2. Identifying Bioreactor Design And Bioprocess Controls For
 - Exploring Different Genres
 - Considering Fiction vs. Non-Fiction
 - Determining Your Reading Goals
3. Choosing the Right eBook Platform
 - Popular eBook Platforms
 - Features to Look for in an Bioreactor Design And Bioprocess Controls For
 - User-Friendly Interface
4. Exploring eBook Recommendations from Bioreactor Design And Bioprocess Controls For
 - Personalized Recommendations
 - Bioreactor Design And Bioprocess Controls For User Reviews and Ratings
 - Bioreactor Design And Bioprocess Controls For and Bestseller Lists
5. Accessing Bioreactor Design And Bioprocess Controls For Free and Paid eBooks
 - Bioreactor Design And Bioprocess Controls For Public Domain eBooks
 - Bioreactor Design And Bioprocess Controls For eBook Subscription Services
 - Bioreactor Design And Bioprocess Controls For Budget-Friendly Options
6. Navigating Bioreactor Design And Bioprocess Controls For eBook Formats
 - ePub, PDF, MOBI, and More
 - Bioreactor Design And Bioprocess Controls For Compatibility with Devices
 - Bioreactor Design And Bioprocess Controls For Enhanced eBook Features
7. Enhancing Your Reading Experience
 - Adjustable Fonts and Text Sizes of Bioreactor Design And Bioprocess Controls For
 - Highlighting and Note-Taking Bioreactor Design And Bioprocess Controls For
 - Interactive Elements Bioreactor Design And Bioprocess Controls For

8. Staying Engaged with Bioreactor Design And Bioprocess Controls For
 - Joining Online Reading Communities
 - Participating in Virtual Book Clubs
 - Following Authors and Publishers Bioreactor Design And Bioprocess Controls For
9. Balancing eBooks and Physical Books Bioreactor Design And Bioprocess Controls For
 - Benefits of a Digital Library
 - Creating a Diverse Reading Collection Bioreactor Design And Bioprocess Controls For
10. Overcoming Reading Challenges
 - Dealing with Digital Eye Strain
 - Minimizing Distractions
 - Managing Screen Time
11. Cultivating a Reading Routine Bioreactor Design And Bioprocess Controls For
 - Setting Reading Goals Bioreactor Design And Bioprocess Controls For
 - Carving Out Dedicated Reading Time
12. Sourcing Reliable Information of Bioreactor Design And Bioprocess Controls For
 - Fact-Checking eBook Content of Bioreactor Design And Bioprocess Controls For
 - Distinguishing Credible Sources
13. Promoting Lifelong Learning
 - Utilizing eBooks for Skill Development
 - Exploring Educational eBooks
14. Embracing eBook Trends
 - Integration of Multimedia Elements
 - Interactive and Gamified eBooks

Bioreactor Design And Bioprocess Controls For Introduction

In today's digital age, the availability of Bioreactor Design And Bioprocess Controls For books and manuals for download has revolutionized the way we access information. Gone are the days of physically flipping through pages and carrying heavy textbooks or manuals. With just a few clicks, we can now access a wealth of knowledge from the comfort of our own homes or on the go. This article will explore the advantages of Bioreactor Design And Bioprocess Controls For books and manuals for download, along with some popular platforms that offer these resources. One of the significant advantages of Bioreactor

Design And Bioprocess Controls For books and manuals for download is the cost-saving aspect. Traditional books and manuals can be costly, especially if you need to purchase several of them for educational or professional purposes. By accessing Bioreactor Design And Bioprocess Controls For versions, you eliminate the need to spend money on physical copies. This not only saves you money but also reduces the environmental impact associated with book production and transportation. Furthermore, Bioreactor Design And Bioprocess Controls For books and manuals for download are incredibly convenient. With just a computer or smartphone and an internet connection, you can access a vast library of resources on any subject imaginable. Whether you're a student looking for textbooks, a professional seeking industry-specific manuals, or someone interested in self-improvement, these digital resources provide an efficient and accessible means of acquiring knowledge. Moreover, PDF books and manuals offer a range of benefits compared to other digital formats. PDF files are designed to retain their formatting regardless of the device used to open them. This ensures that the content appears exactly as intended by the author, with no loss of formatting or missing graphics. Additionally, PDF files can be easily annotated, bookmarked, and searched for specific terms, making them highly practical for studying or referencing. When it comes to accessing Bioreactor Design And Bioprocess Controls For books and manuals, several platforms offer an extensive collection of resources. One such platform is Project Gutenberg, a nonprofit organization that provides over 60,000 free eBooks. These books are primarily in the public domain, meaning they can be freely distributed and downloaded. Project Gutenberg offers a wide range of classic literature, making it an excellent resource for literature enthusiasts. Another popular platform for Bioreactor Design And Bioprocess Controls For books and manuals is Open Library. Open Library is an initiative of the Internet Archive, a non-profit organization dedicated to digitizing cultural artifacts and making them accessible to the public. Open Library hosts millions of books, including both public domain works and contemporary titles. It also allows users to borrow digital copies of certain books for a limited period, similar to a library lending system. Additionally, many universities and educational institutions have their own digital libraries that provide free access to PDF books and manuals. These libraries often offer academic texts, research papers, and technical manuals, making them invaluable resources for students and researchers. Some notable examples include MIT OpenCourseWare, which offers free access to course materials from the Massachusetts Institute of Technology, and the Digital Public Library of America, which provides a vast collection of digitized books and historical documents. In conclusion, Bioreactor Design And Bioprocess Controls For books and manuals for download have transformed the way we access information. They provide a cost-effective and convenient means of acquiring knowledge, offering the ability to access a vast library of resources at our fingertips. With platforms like Project Gutenberg, Open Library, and various digital libraries offered by educational institutions, we have access to an ever-expanding collection of books and manuals. Whether for educational, professional, or personal purposes, these digital resources serve as valuable tools for continuous learning and self-improvement. So why not take advantage of the vast world

of Bioreactor Design And Bioprocess Controls For books and manuals for download and embark on your journey of knowledge?

FAQs About Bioreactor Design And Bioprocess Controls For Books

What is a Bioreactor Design And Bioprocess Controls For PDF? A PDF (Portable Document Format) is a file format developed by Adobe that preserves the layout and formatting of a document, regardless of the software, hardware, or operating system used to view or print it. **How do I create a Bioreactor Design And Bioprocess Controls For PDF?** There are several ways to create a PDF: Use software like Adobe Acrobat, Microsoft Word, or Google Docs, which often have built-in PDF creation tools. Print to PDF: Many applications and operating systems have a "Print to PDF" option that allows you to save a document as a PDF file instead of printing it on paper. Online converters: There are various online tools that can convert different file types to PDF. **How do I edit a Bioreactor Design And Bioprocess Controls For PDF?** Editing a PDF can be done with software like Adobe Acrobat, which allows direct editing of text, images, and other elements within the PDF. Some free tools, like PDFescape or Smallpdf, also offer basic editing capabilities. **How do I convert a Bioreactor Design And Bioprocess Controls For PDF to another file format?** There are multiple ways to convert a PDF to another format: Use online converters like Smallpdf, Zamzar, or Adobe Acrobats export feature to convert PDFs to formats like Word, Excel, JPEG, etc. Software like Adobe Acrobat, Microsoft Word, or other PDF editors may have options to export or save PDFs in different formats. **How do I password-protect a Bioreactor Design And Bioprocess Controls For PDF?** Most PDF editing software allows you to add password protection. In Adobe Acrobat, for instance, you can go to "File" -> "Properties" -> "Security" to set a password to restrict access or editing capabilities. Are there any free alternatives to Adobe Acrobat for working with PDFs? Yes, there are many free alternatives for working with PDFs, such as: LibreOffice: Offers PDF editing features. PDFsam: Allows splitting, merging, and editing PDFs. Foxit Reader: Provides basic PDF viewing and editing capabilities. How do I compress a PDF file? You can use online tools like Smallpdf, ILovePDF, or desktop software like Adobe Acrobat to compress PDF files without significant quality loss. Compression reduces the file size, making it easier to share and download. Can I fill out forms in a PDF file? Yes, most PDF viewers/editors like Adobe Acrobat, Preview (on Mac), or various online tools allow you to fill out forms in PDF files by selecting text fields and entering information. Are there any restrictions when working with PDFs? Some PDFs might have restrictions set by their creator, such as password protection, editing restrictions, or print restrictions. Breaking these restrictions might require specific software or tools, which may or may not be legal depending on the circumstances and local laws.

Find Bioreactor Design And Bioprocess Controls For :

growth guide America 41-2548 career growth guide USA 41-1364 career estate investing best practices United States 41-2682 real estate step for entrepreneurs 41-121 VPN services strategies United States smart home tech guide America 41-2975 smart home tech guide USA 41-1185 entrepreneurs 41-209 smart home tech best practices for startups 41-1239 tools America 41-2192 travel tips tools for startups 41-922 travel tips small business 41-1815 mobile app ideas trends America 41-2355 mobile 41-1174 electric vehicles explained for startups 41-1653 electric content marketing tools America 41-1762 content marketing tools America startups 41-1937 online business best practices United States 41-1122 USA 41-1082 AI marketing trends for entrepreneurs 41-2208 AI marketing ideas for small business 41-1144 side hustles review America 41-2315 personal finance comparison for startups 41-820 personal finance content marketing strategies United States 41-1601 content marketing improvement examples America 41-273 credit score improvement examples

Bioreactor Design And Bioprocess Controls For :

operator s manual english irishgrassmachinery ie - Oct 08 2023
web zd326 eu 2 operator s manual k3173 7131 2 jan 29 2014 jul 29 2016 the language in which the manual is written english abbreviations definitions abbreviation list api
kubota zd326 parts and parts manual pdf kubota kubota - Jul 25 2022
web 19 95 factory workshop manual for kubota mower manual contains illustrations instructions diagrams for step by step remove and install assembly and
kubota zd326 manuals user guides - May 03 2023
web specifications model engine model kubota d1105 zd326hl 72 type max horsepower gross total displacement starting system diesel liquid cooled 3 cyl key switch
kubota zd326 eu workshop manual mower erepairinfo - Jun 23 2022
web kubota zd321 zd323 zd326 zd331 workshop manual pdf this workshop manual describes full service material operation

technical maintenance repair procedures and
kubotabooks.com - Jul 05 2023

web kubota zd326 eu 2 operator s manual brand kubota category lawn mower size 6 02 mb pages 109 this manual is also suitable for zd326 please tick the box

kubota zd326 mower service manual repair emanualonline - Mar 21 2022

web kubota zd326 eu zero turn mower workshop service repair manual pdf file service repair parts catalog operator and maintenance owner manual contain

kubota zd 331 manual pdf download manualslib - Mar 01 2023

web kubota zd326 owners service repair manuals the kubota zd 326 is a zero turn professional lawnmower with an efficient diesel engine designed to be comfortable for all

kubota zd326 zero turn mower service manual download - Sep 26 2022

web by db tractor kubota zd326 the kubota zd326 is a zero turn mower first manufactured by kubota in approx 2007 and was in production for about ten years it has proved

kubota zd326 eu 2 operator s manual pdf - Sep 07 2023

web kubota zd326 operator s manual 109 pages zero turn mower brand kubota category lawn mower size 6 02 mb table of contents 5 safe operation 21

kubota zd326 owners repair manuals emanualonline - Jan 31 2023

web this workshop manual has been prepared to provide servicing personnel with information on the mechanism service and maintenance of zd321 zd323 zd326 and zd331 it is

kubota k3178 71280 zd321 zd326 owners manual messicks - Nov 28 2022

web this kubota zd326 mower service manual is the same service manual used by professional kubota technicians this factory kubota zd326 manual is a fully indexed

kubota zd326 zero turn mower factory service repair manual - Jan 19 2022

download kubota zd326 eu 2 operator s manual manualslib - Jun 04 2023

web lawn mower kubota zd326 manuals user manuals guides and specifications for your kubota zd326 lawn mower database contains 1 kubota zd326

zd321 zd323 zd326 zd331 hight quality service manual - Dec 30 2022

web kubota k3178 71280 zd321 zd326 owners manual parts hotline 877 260 3528 stock orders placed in 13 10 49 will ship today login 0 cart 0 cart kubota l series

kubota zd326 eu zero turn mower workshop repair manual - Feb 17 2022

web this is the complete official full factory service repair manual for kubota zd326 zero turn mower hundreds of pages allow you to print it out in its entirety or just the pages

[kubota zd326 manuals manualslib](#) - Aug 06 2023

web if you are looking for a manual for your kubota zero turn mower you can download the pdf file from this webpage it covers the models zd 321 326 and 331 and provides

[kubota zd321 zd323 zd326 zd331 workshop manual pdf](#) - May 23 2022

web this kubota zd326 zero turn mower workshop service manual has been prepared to provide servicing personnel with information on the mechanism service and

[kubota zd326 zero turn mower service repair workshop](#) - Apr 21 2022

web buy now file type pdf 12 80 mb preview zd321 zd323 zd326 zd331 wsm safety instructions safety first this symbol the industry s safety alert

[kubota zd326 specs problems prices reviews kubota](#) - Aug 26 2022

web in this article we will explore the kubota zd326 parts and parts manual pdf covering everything from parts diagrams to maintenance tips and common issues including

kubota zd326 zero turn mower service manual download - Oct 28 2022

web oct 2 2018 includes kubota zd326 service manual 268 pages in pdf format 17 mb pdf file in zip format for super fast downloads this factory kubota mower service

[z zd326h kubota zero turn mower](#) - Apr 02 2023

web view and download kubota zd 331 manual online zd 331 lawn mower pdf manual download

[running records infants toddlers ccdmd](#) - Jul 23 2023

web a running record involves writing down everything that is happening in the order that it happens observers limit the amount of editing they do as they record instead the idea is to record as much raw data as possible using this rather open ended method means that educators can gather a lot of information in a relatively short period of time

kindergarten running record observation record twinkl - Aug 12 2022

web kpreet551 verified member since 2021 reviewed on 19 february 2023 helpful thank you for your feedback twinkl new zealand early childhood education resources ece planning and assessment help this resource is great to use for observation opportunities use this as a running record for each child

running record observations in early childhood education - Apr 20 2023

web running record observations into early childhood education learn how the use this observation method to document your

children's learning advance a running record watch is on method that recorded a child's act and helpful you assess what they recognize furthermore understand

running record observations in early childhood education running records - May 09 2022

web feb 17 2023 a running record watch is neat method that captures a child's behavior and helps you assess what they know and understanding solutions preschools child care going record observations in early my education learn how to use this observation method to document your children's learning progress

running record observations in early childhood education 3 4 - May 21 2023

web feb 17 2023 a running record observation the one method that captures an child's behavior furthermore helped you assess whichever they know and understand running record observations in early childhood education 3 4 a closer look at observation methods tools and techniques

running record observations in early childhood education - Jul 11 2022

web feb 17 2023 adenine running record observation can one process that captures a child's behavior and helps you assess what they know or understand

running record observations in early childhood education - Feb 18 2023

web an running record observation is one method that captures a child's behavior and helps you ratings how they how and understand solutions educational child care relatives billing make experience curriculum resources early education and childcare resources customer stories help center webinars ebooks tools templates

running record observations in early childhood education - Apr 08 2022

web feb 17 2023 a running record listening is one method that capture a child's behavior plus helps yourself assess what they know and understand a running record viewing belongs one method that grabs ampere child's behavior and helps to assessment what they know or understand running record observations in early childhood education

running record observations in early childhood education - Jun 10 2022

web ampere running record observation is one method that captures one child's behavior press benefits him assess what they get and understand

running record observations in early childhood education 3 4 - Mar 19 2023

web feb 17 2023 a running record observation is neat method that captures a child's behavior and helps you measure what they know and comprehend running record observations in early childhood education 3 4 a closer look at observation methods tools and techniques

running record observations in early childhood education 3 4 - Aug 24 2023

web a running record observation is one method such captures ampere child's behavior and helps you valuate what they

know and understand

running record observations in early childhood educate - Oct 14 2022

web feb 17 2023 adenine running record observations has one method so captures one child s behavior and helps i assess what they know and understandable running record observations in early childhood education how you can write childcare observations using different methods observation family day care education

running record observations in early childhood education - Sep 13 2022

web feb 17 2023 a running record observer is individual method that captures a child s behavior plus supports him review what they learn and understand running record observations in early childhood education how you can write childcare observations using different methods family day care teacher observation observation

running record observations in early childhood education - Mar 07 2022

web a running record observing is one method that captures an child s behavior and helps thou assess what they know and comprehension

running record observation in childcare - Jun 22 2023

web january 31 2021 print image by free stock photos from picjumbo com from pixabay running records are written in present tense and recorded as the action is happening it gives a minute by minute description of what goes on in a setting with a specific child or group of children

running record observations in early childhood education - Sep 25 2023

web feb 17 2023 running record observations in early childhood education learn how to use this observation method to document your children s learning progress a running record observation is one method that captures a child s behavior and helps you assess what they know and understand

running record observations in early childhood education - Jan 17 2023

web a running record observation is one method so recorded a child s comportment and helps you assess whats they know and understand one running recording listening is one method that captures a child s behavior and helps

running record observations in early childhood education - Dec 16 2022

web feb 17 2023 a operating record observation is can method that captures a child s behavior and helps you assess what i knowledge and understand solutions preschools minor care running record observations in early baby education learn how to use this viewing method to document your children s learn progress

running record observations in soon childhood education - Feb 06 2022

web feb 17 2023 a running record observation is one method that captures a child s behavior and helpful you assess what they know furthermore recognize

[running record observations in early childhood education](#) - Nov 15 2022

web a current recorded observation can one how that captures a child s behavior and helps to assess what they know and understand running record observations in early childhood education how to grow a successful business

[chain breaker official lyric video youtube music](#) - Apr 07 2023

web 0 00 0 00 watch and share my official lyric video for chain breaker listen to chainbreaker spotify zachwilliams lnk to cbdeluxeid spotify cblv apple mus

[zach williams chain breaker official audio youtube](#) - Mar 06 2023

web sep 15 2017 rescue story is out now listen here zachwilliams lnk to rescuestoryalbumoutcbconnect with zach facebook smarturl it zachwilliamsfacebooktwit

[chain breaker wikipedia](#) - Jun 09 2023

web chain breaker chain breaker is the debut single from christian rock artist zach williams from his debut studio album chain breaker the song peaked at no 1 on the hot christian songs for nine weeks

[zach williams chain breaker lyrics genius lyrics](#) - Aug 31 2022

web may 24 2016 chain breaker lyrics if you ve been walking the same old road for miles and miles if you ve been hearing the same old voice tell the same old lies if you re trying to fill the same old holes

[chain breaker chords by zach williams ultimate guitar com](#) - May 08 2023

web aug 23 2020 chain breaker chords by zach williams 275 304 views added to favorites 7 097 times created by zach williams according to comments difficulty intermediate tuning e a d g b e key

[zach williams chain breaker chords ultimate guitar com](#) - Jul 30 2022

web may 12 2017 create and get 5 iq verse c f c if you ve been walking the same old road for miles and miles am7 asus4 am if you ve been hearing the same old voice tell the same old lies g gsus4 g if you re trying to fill the same old holes inside f there s a better life gsus g there s a better life chorus c if you ve got pain f c he s a

[gaither vocal band chain breaker live youtube](#) - Mar 26 2022

web jan 25 2018 gaither vocal band official video for chain breaker available now get the 2cd 2dvd set bundled at a special price here capcmg me goats gpbuy a

[zach williams chain breaker lyrics youtube](#) - Jul 10 2023

web nov 29 2022 zach williams chain breaker lyrics christian song chain breaker zach williams lyrics zachwilliams chainbreaker thehigherpower christian christianmus

[zach williams chain breaker live from harding prison](#) - Sep 12 2023

web oct 19 2018 3 4m views 2 years ago watch and share my official video for chain breaker live from harding prison men

of valor is committed to winning men in prison to Jesus Christ and discip

gaither vocal band chain breaker live youtube - Dec 03 2022

web oct 12 2017 buy the full length dvd and album we have this moment here capcmg me gm whtmavailable at itunes

capcmg me gm whtm itavailable at amazon ht

chain breaker by zach williams songfacts - Jun 28 2022

web Jesus came and died on the cross so there would be a way for the chains of those struggles and addictions to be broken if you have pain he is a pain taker if you're lost he is the way maker and if you've got chains he is the chain breaker he added

zach williams chain breaker official lyric video youtube - Oct 13 2023

web may 24 2016 watch and share my official lyric video for chain breaker listen to chainbreaker spotify zachwilliams link to cbdeluxeid spotify cblvapple music

zach williams chain breaker lyrics lyrics com - May 28 2022

web chain breaker lyrics by zach williams from the chain breaker album including song video artist biography translations and more if you've been walking the same old road for miles and miles if you've been hearing the same old voice tell the same o

chain breaker acoustic chords ultimate guitar - Jan 04 2023

web jun 11 2018 verse 1 g if you've been walking the same old road for miles and miles em if you've been hearing the same old voice tell the same old lies d if you're trying to fill the same old holes inside c d there is a better life there is a better life chorus g d g if you've got pain he is a pain taker if you feel lost he is a way maker em c

chain breaker chords zach williams e chords - Feb 22 2022

web chain breaker c f c if you've got pain he is a pain taker g c if you feel lost he is a way maker am if you need freedom or saving f he is a prison shaking savior g g c f c f if you've got chains he is a chain breaker verse c we've all searched for the light f c of day in the dead of night am we've all found ourselves worn g g out from the same

chain breaker chords lyrics essential worship - Feb 05 2023

web chain breaker verse c if you've been walking the same old road for miles and miles am if you've been hearing the same old voice tell the same old lies g if you're trying to fill the same old holes inside f g

zach williams chain breaker lyrics azlyrics com - Oct 01 2022

web if you're trying to fill the same old holes inside there is a better life there is a better life if you've got pain he is a pain taker if you feel lost he is a way maker if you need freedom or saving he is a prison shaking savior if you've got chains he is a chain breaker

zach williams chain breaker official music video youtube - Aug 11 2023

web oct 24 2016 rochester ny kodak center ticketmaster watch the music video for my song chain breaker now listen to chainbreaker available

zach williams chain breaker lyrics musixmatch - Nov 02 2022

web jan 27 2023 the lyrics for chain breaker by zach williams have been translated into 5 languages if you ve been walking the same old road for miles and miles if you ve been hearing the same old voice tell the same old lies if you re trying to fill the same old holes inside there s a better life there s a better life if you ve got pain

chain breaker official song resources on songselect - Apr 26 2022

web transposable chords lyrics and song resources for chain breaker by jonathan smith mia fieldes zach williams