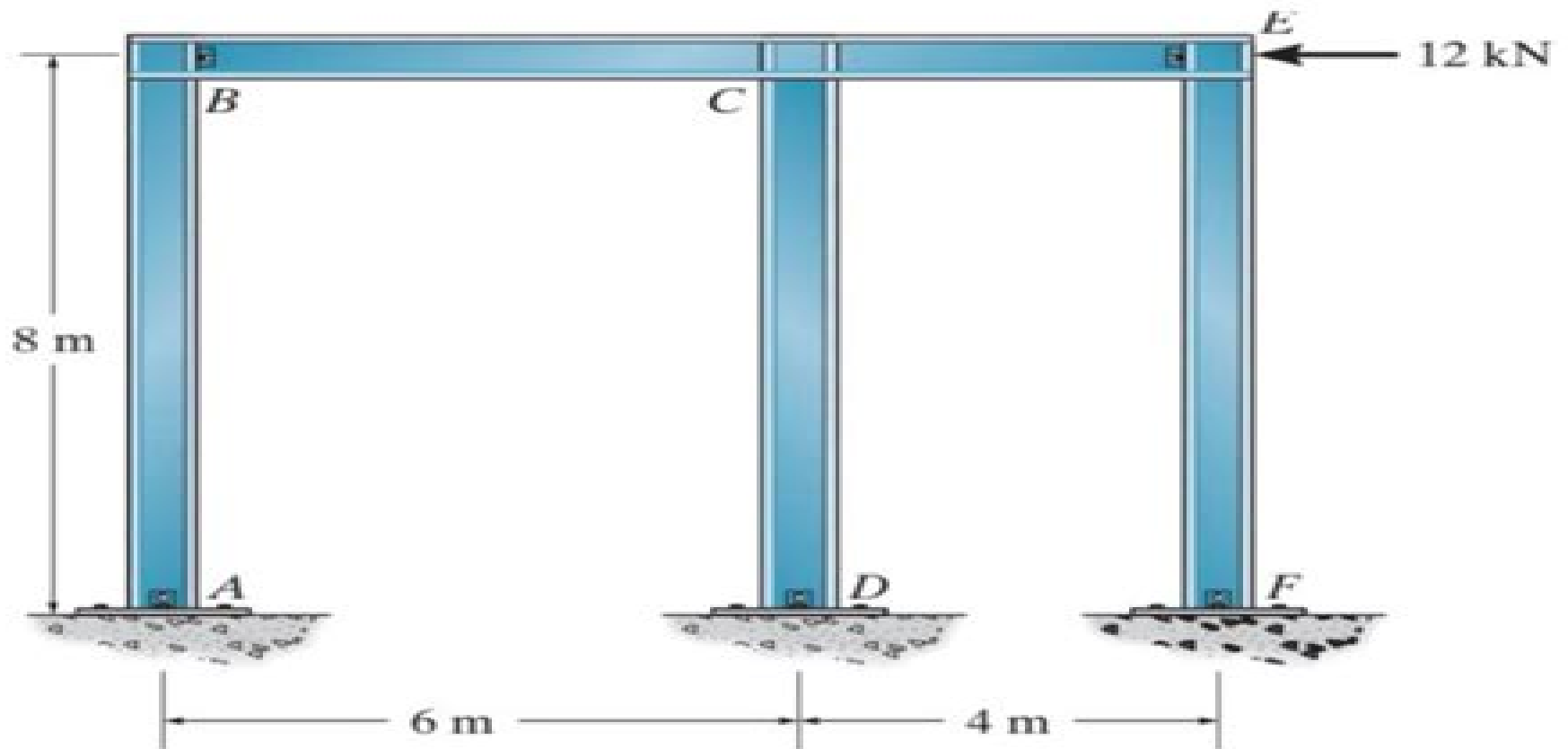


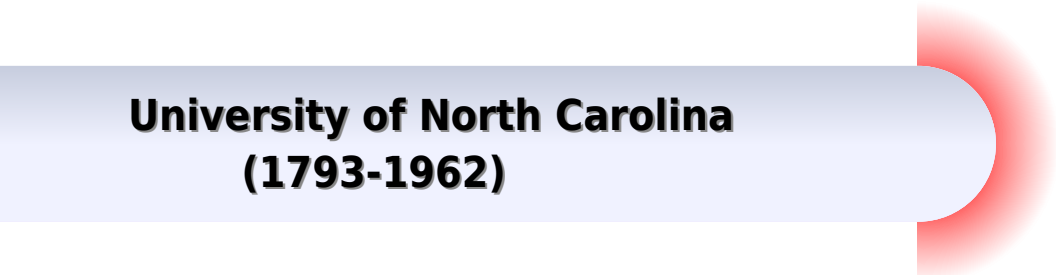
SOLVE USING MOMENT DISTRIBUTION METHOD, frames with sidesway



Prob. 11-24

Moment Distribution Method Study

**University of North Carolina
(1793-1962)**



Moment Distribution Method Study:

2024-25 RRB JE Civil & Allied Engineering Study Material YCT Expert Team , 2024 25 RRB JE Civil Allied Engineering Study Material 672 1395 E This book contains study material and 2302 objective question bank Fundamental Structural Analysis W. SPENCER,2013-11-09 Significant changes have occurred in the approach to structural analysis over the last twenty years These changes have been brought about by a more general understanding of the nature of the problem and the development of the digital computer Almost all structural engineering offices throughout the world would now have access to some form of digital computer ranging from hand held programmable calculators through to the largest machines available Powerful microcomputers are also widely available and many engineers and students have personal computers as a general aid to their work Problems in structural analysis have now been formulated in such a way that the solution is available through the use of the computer largely by what is known as matrix methods of structural analysis It is interesting to note that such methods do not put forward new theories in structural analysis rather they are a restatement of classical theory in a manner that can be directly related to the computer This book begins with the premise that most structural analysis will be done on a computer This is not to say that a fundamental understanding of structural behaviour is not presented or that only computer based techniques are given Indeed the reverse is true Understanding structural behaviour is an underlying theme and many solution techniques suitable for hand computation such as moment distribution are retained The most widely used method of computer based structural analysis is the matrix stiffness method **Structural Analysis Exam Study Guide** cybellium,2024-10-26 Designed for professionals students and enthusiasts alike our comprehensive books empower you to stay ahead in a rapidly evolving digital world Expert Insights Our books provide deep actionable insights that bridge the gap between theory and practical application Up to Date Content Stay current with the latest advancements trends and best practices in IT AI Cybersecurity Business Economics and Science Each guide is regularly updated to reflect the newest developments and challenges Comprehensive Coverage Whether you're a beginner or an advanced learner Cybellium books cover a wide range of topics from foundational principles to specialized knowledge tailored to your level of expertise Become part of a global network of learners and professionals who trust Cybellium to guide their educational journey www.cybellium.com **Distribution of Wheel Loads on Timber Bridges** Erwin Carl Olaf Erickson,K. M. Romstad,1968 *Advanced Study on the Moment Distribution Method and Its Application to Sidesway Problems* Cheng-Liang Wang,1963 *Abstracts of Theses for Higher Degrees* University of Colorado (Boulder campus),1929 **Calcutta Review** ,1921 **Announcement of Courses** Stanford University,1948 Research in Progress North Carolina State University. Graduate School,1929 *Engineering Extension Bulletin* ,1919 **Steel Buildings** Stanley W. Crawley,Robert M. Dillon,1993 This volume presents the general principles of structural analysis and their application to the design of low and intermediate height building frames The text is accompanied by software for the analysis of axial forces

displacement and the bending moment and the determination of shear *Engineering Experiment Station Circular* Ohio State University, Columbus. Engineering Experiment Station,1919 **Proceedings of the ... Annual Convention Held at** ... American Concrete Institute. Annual Convention,American Concrete Institute,1929 **Research in Progress** University of North Carolina (1793-1962),1930 **Engineering Experiment Station Circular** Ohio State University. Engineering Experiment Station,1928 Studies in the History of Statistical Method Helen Mary Walker,1929 **Proceedings of the ... Annual Convention of the American Railway Engineering Association** American Railway Engineering Association,1930 List of members in v 1 10 *Indian Science Abstracts* ,1977 Storage Batteries Charles Allen Wright,1919 Engineering News-record ,1936-07

When somebody should go to the books stores, search start by shop, shelf by shelf, it is in fact problematic. This is why we present the ebook compilations in this website. It will completely ease you to see guide **Moment Distribution Method Study** as you such as.

By searching the title, publisher, or authors of guide you in fact want, you can discover them rapidly. In the house, workplace, or perhaps in your method can be all best place within net connections. If you try to download and install the Moment Distribution Method Study, it is unconditionally simple then, past currently we extend the connect to purchase and create bargains to download and install Moment Distribution Method Study as a result simple!

https://py.bijouxmedusa.com/public/uploaded-files/default.aspx/startups_20_2774_instagram_growth_best_practices_united_states_20_2820.pdf

Table of Contents Moment Distribution Method Study

1. Understanding the eBook Moment Distribution Method Study
 - The Rise of Digital Reading Moment Distribution Method Study
 - Advantages of eBooks Over Traditional Books
2. Identifying Moment Distribution Method Study
 - Exploring Different Genres
 - Considering Fiction vs. Non-Fiction
 - Determining Your Reading Goals
3. Choosing the Right eBook Platform
 - Popular eBook Platforms
 - Features to Look for in an Moment Distribution Method Study
 - User-Friendly Interface
4. Exploring eBook Recommendations from Moment Distribution Method Study
 - Personalized Recommendations
 - Moment Distribution Method Study User Reviews and Ratings

- Moment Distribution Method Study and Bestseller Lists
- 5. Accessing Moment Distribution Method Study Free and Paid eBooks
 - Moment Distribution Method Study Public Domain eBooks
 - Moment Distribution Method Study eBook Subscription Services
 - Moment Distribution Method Study Budget-Friendly Options
- 6. Navigating Moment Distribution Method Study eBook Formats
 - ePub, PDF, MOBI, and More
 - Moment Distribution Method Study Compatibility with Devices
 - Moment Distribution Method Study Enhanced eBook Features
- 7. Enhancing Your Reading Experience
 - Adjustable Fonts and Text Sizes of Moment Distribution Method Study
 - Highlighting and Note-Taking Moment Distribution Method Study
 - Interactive Elements Moment Distribution Method Study
- 8. Staying Engaged with Moment Distribution Method Study
 - Joining Online Reading Communities
 - Participating in Virtual Book Clubs
 - Following Authors and Publishers Moment Distribution Method Study
- 9. Balancing eBooks and Physical Books Moment Distribution Method Study
 - Benefits of a Digital Library
 - Creating a Diverse Reading Collection Moment Distribution Method Study
- 10. Overcoming Reading Challenges
 - Dealing with Digital Eye Strain
 - Minimizing Distractions
 - Managing Screen Time
- 11. Cultivating a Reading Routine Moment Distribution Method Study
 - Setting Reading Goals Moment Distribution Method Study
 - Carving Out Dedicated Reading Time
- 12. Sourcing Reliable Information of Moment Distribution Method Study
 - Fact-Checking eBook Content of Moment Distribution Method Study
 - Distinguishing Credible Sources

13. Promoting Lifelong Learning
 - Utilizing eBooks for Skill Development
 - Exploring Educational eBooks
14. Embracing eBook Trends
 - Integration of Multimedia Elements
 - Interactive and Gamified eBooks

Moment Distribution Method Study Introduction

Free PDF Books and Manuals for Download: Unlocking Knowledge at Your Fingertips In today's fast-paced digital age, obtaining valuable knowledge has become easier than ever. Thanks to the internet, a vast array of books and manuals are now available for free download in PDF format. Whether you are a student, professional, or simply an avid reader, this treasure trove of downloadable resources offers a wealth of information, conveniently accessible anytime, anywhere. The advent of online libraries and platforms dedicated to sharing knowledge has revolutionized the way we consume information. No longer confined to physical libraries or bookstores, readers can now access an extensive collection of digital books and manuals with just a few clicks. These resources, available in PDF, Microsoft Word, and PowerPoint formats, cater to a wide range of interests, including literature, technology, science, history, and much more. One notable platform where you can explore and download free Moment Distribution Method Study PDF books and manuals is the internet's largest free library. Hosted online, this catalog compiles a vast assortment of documents, making it a veritable goldmine of knowledge. With its easy-to-use website interface and customizable PDF generator, this platform offers a user-friendly experience, allowing individuals to effortlessly navigate and access the information they seek. The availability of free PDF books and manuals on this platform demonstrates its commitment to democratizing education and empowering individuals with the tools needed to succeed in their chosen fields. It allows anyone, regardless of their background or financial limitations, to expand their horizons and gain insights from experts in various disciplines. One of the most significant advantages of downloading PDF books and manuals lies in their portability. Unlike physical copies, digital books can be stored and carried on a single device, such as a tablet or smartphone, saving valuable space and weight. This convenience makes it possible for readers to have their entire library at their fingertips, whether they are commuting, traveling, or simply enjoying a lazy afternoon at home. Additionally, digital files are easily searchable, enabling readers to locate specific information within seconds. With a few keystrokes, users can search for keywords, topics, or phrases, making research and finding relevant information a breeze. This efficiency saves time and effort, streamlining the learning process and allowing individuals to focus on extracting the information they need. Furthermore, the availability of free PDF books and manuals fosters a culture of continuous learning.

By removing financial barriers, more people can access educational resources and pursue lifelong learning, contributing to personal growth and professional development. This democratization of knowledge promotes intellectual curiosity and empowers individuals to become lifelong learners, promoting progress and innovation in various fields. It is worth noting that while accessing free Moment Distribution Method Study PDF books and manuals is convenient and cost-effective, it is vital to respect copyright laws and intellectual property rights. Platforms offering free downloads often operate within legal boundaries, ensuring that the materials they provide are either in the public domain or authorized for distribution. By adhering to copyright laws, users can enjoy the benefits of free access to knowledge while supporting the authors and publishers who make these resources available. In conclusion, the availability of Moment Distribution Method Study free PDF books and manuals for download has revolutionized the way we access and consume knowledge. With just a few clicks, individuals can explore a vast collection of resources across different disciplines, all free of charge. This accessibility empowers individuals to become lifelong learners, contributing to personal growth, professional development, and the advancement of society as a whole. So why not unlock a world of knowledge today? Start exploring the vast sea of free PDF books and manuals waiting to be discovered right at your fingertips.

FAQs About Moment Distribution Method Study Books

How do I know which eBook platform is the best for me? Finding the best eBook platform depends on your reading preferences and device compatibility. Research different platforms, read user reviews, and explore their features before making a choice. Are free eBooks of good quality? Yes, many reputable platforms offer high-quality free eBooks, including classics and public domain works. However, make sure to verify the source to ensure the eBook credibility. Can I read eBooks without an eReader? Absolutely! Most eBook platforms offer webbased readers or mobile apps that allow you to read eBooks on your computer, tablet, or smartphone. How do I avoid digital eye strain while reading eBooks? To prevent digital eye strain, take regular breaks, adjust the font size and background color, and ensure proper lighting while reading eBooks. What the advantage of interactive eBooks? Interactive eBooks incorporate multimedia elements, quizzes, and activities, enhancing the reader engagement and providing a more immersive learning experience. Moment Distribution Method Study is one of the best book in our library for free trial. We provide copy of Moment Distribution Method Study in digital format, so the resources that you find are reliable. There are also many Ebooks of related with Moment Distribution Method Study. Where to download Moment Distribution Method Study online for free? Are you looking for Moment Distribution Method Study PDF? This is definitely going to save you time and cash in something you should think about. If you trying to find then search around for online. Without a doubt there are numerous these available and many of them have the freedom. However

without doubt you receive whatever you purchase. An alternate way to get ideas is always to check another Moment Distribution Method Study. This method for see exactly what may be included and adopt these ideas to your book. This site will almost certainly help you save time and effort, money and stress. If you are looking for free books then you really should consider finding to assist you try this. Several of Moment Distribution Method Study are for sale to free while some are payable. If you arent sure if the books you would like to download works with for usage along with your computer, it is possible to download free trials. The free guides make it easy for someone to free access online library for download books to your device. You can get free download on free trial for lots of books categories. Our library is the biggest of these that have literally hundreds of thousands of different products categories represented. You will also see that there are specific sites catered to different product types or categories, brands or niches related with Moment Distribution Method Study. So depending on what exactly you are searching, you will be able to choose e books to suit your own need. Need to access completely for Campbell Biology Seventh Edition book? Access Ebook without any digging. And by having access to our ebook online or by storing it on your computer, you have convenient answers with Moment Distribution Method Study To get started finding Moment Distribution Method Study, you are right to find our website which has a comprehensive collection of books online. Our library is the biggest of these that have literally hundreds of thousands of different products represented. You will also see that there are specific sites catered to different categories or niches related with Moment Distribution Method Study So depending on what exactly you are searching, you will be able to choose ebook to suit your own need. Thank you for reading Moment Distribution Method Study. Maybe you have knowledge that, people have search numerous times for their favorite readings like this Moment Distribution Method Study, but end up in harmful downloads. Rather than reading a good book with a cup of coffee in the afternoon, instead they juggled with some harmful bugs inside their laptop. Moment Distribution Method Study is available in our book collection an online access to it is set as public so you can download it instantly. Our digital library spans in multiple locations, allowing you to get the most less latency time to download any of our books like this one. Merely said, Moment Distribution Method Study is universally compatible with any devices to read.

Find Moment Distribution Method Study :

[startups 20-2774](#) [Instagram growth best practices United States 20-2820](#)
[jobs tips USA 20-2960](#) [remote jobs tips for creators 20-2968](#) [remote jobs 20-2384](#) [startup funding trends for entrepreneurs 20-2442](#) [startup funding freelancing online comparison for entrepreneurs 20-1974](#) [freelancing business 20-2296](#) [stock market ideas for startups 20-531](#) [stock market USA 20-1523](#) [crypto investing for beginners USA 20-49](#) [crypto investing](#)

creators 20-1300 home organization for beginners for creators 20-2061 startups 20-2337 cloud computing examples United States 20-2245 cloud 20-184 parenting tips guide for entrepreneurs 20-2065 parenting tips 20-2923 sustainable living explained United States 20-777 sustainable creators 20-1021 dropshipping business tools for entrepreneurs 20-1280 tips case study for creators 20-2578 travel tips case study for creators SEO strategy strategies United States 20-2106 SEO strategy strategies wellness apps America 20-1670 mental wellness apps United States 20-409 United States 20-1204 content marketing apps for creators 20-1153

Moment Distribution Method Study :

anaconda navigator anaconda org - Feb 16 2023

web anaconda navigator is a desktop graphical user interface included in anaconda that allows you to launch applications and easily manage conda packages environments and channels without the need to use command line commands

downloads anaconda - Jul 21 2023

web download anaconda distribution version release date download for high performance distribution easily install 1 000 data science packages package management manage packages

anaconda org - Jun 20 2023

web anaconda org allows anyone to distribute their conda and standard python packages to the world we support package builders and their users individuals and organizations can manage and distribute software

anaconda python distribution wikipedia - Jan 15 2023

web anaconda com anaconda is a distribution of the python and r programming languages for scientific computing data science machine learning applications large scale data processing predictive analytics etc that aims to simplify package management and

installing on windows anaconda documentation - Mar 17 2023

web instead use anaconda software by opening anaconda navigator or the anaconda prompt from the start menu note as of anaconda distribution 2022 05 the option to add anaconda to the path environment variable during an

python anaconda org - May 19 2023

web to install this package run one of the following conda install c anaconda python description python is a widely used high level general purpose interpreted dynamic programming language

anaconda the world s most popular data science platform - Aug 22 2023

web from ai solutions to interactive visualizations anaconda is the world s preferred distribution for numerical and scientific computing more than 6 000 python libraries over 2 000 interoperable r packages built from source tamper free install anaconda

your first python program hello anaconda - Dec 14 2022

web command line installers for anaconda with python 3 on macos anaconda with python 2 on 64 bit linux anaconda with python 3 on 64 bit linux anaconda with python 2 on 32 bit linux anaconda with python 3 on 32 bit linux excel plug ins for anaconda frequently asked questions packages anaconda package lists r language packages for anaconda [installation anaconda documentation](#) - Apr 18 2023

web apr 4 2023 as of 2023 04 04 license free use and redistribution under the terms of the eula for anaconda distribution operating system windows 10 or newer 64 bit macos 10 13 or linux including ubuntu redhat centos 7 and others [getting started with conda conda 23 7 5 dev89 documentation](#) - Nov 13 2022

web conda is a powerful package manager and environment manager that you use with command line commands at the anaconda prompt for windows or in a terminal window for macos or linux this 20 minute guide to getting started with conda lets you try out the major features of conda

waking the spirit a musician s journey healing body mind and - Aug 21 2022

web waking the spirit a musician s journey healing body mind and soul by schulman andrew 1952 *waking the spirit macmillan* - Mar 28 2023

web aug 2 2016 waking the spirit a musician s journey healing body mind and soul author andrew schulman with an afterword by marvin a mcmillen m d facts macp read excerpt about this book

[waking the spirit a musician s journey healing body mind and](#) - Aug 01 2023

web waking the spirit a musician s journey healing body mind and soul schulman andrew amazon sg books

waking the spirit a musician s journey healing body mind - Jun 18 2022

web waking the spirit a musician s journey healing body mind and soul by andrew schulman alibris alibris for libraries sell at alibris select book format menu hi sign in 0 books music philosophy social aspects waking the spirit a musician s journey healing body mind and soul by andrew schulman write the first customer review

waking spirit musicians journey by andrew schulman abebooks - Jul 20 2022

web waking the spirit a musician s journey healing body mind and soul by schulman andrew and a great selection of related books art and collectibles available now at abebooks co uk waking spirit musicians journey by andrew schulman 63 results you searched for

waking the spirit a musician s journey healing body mind and - Feb 24 2023

web an oliver sacks foundation best book of the year selection finalist for the books for a better life best first book award and a people magazine pick in nonfiction the astounding story of a

waking the spirit andrew schulman music - May 30 2023

web about music performances waking the spirit a musician s journey healing body mind and soul earnest but affable memoir he talks with neuroscientists and psychiatrists and explores the legacy of pythagoras the ancient greek mathematician and philosopher who was among the first to recognize the healing properties of music

waking the spirit a musician s journey healing body mind and - Dec 25 2022

web waking the spirit a musician s journey healing body mind and soul ebook written by andrew schulman read this book using google play books app on your pc android ios devices download for offline reading highlight bookmark or take notes while you read waking the spirit a musician s journey healing body mind and soul

waking the spirit a musician s journey healing body mind and - May 18 2022

web aug 2 2016 waking the spirit a musician s journey healing body mind and soul ebook by andrew schulman read a sample format ebook isbn 9781250055774 author andrew schulman publisher picador release 02 august 2016 subjects music new age science nonfiction find this title in libby the library reading app by overdrive

waking the spirit a musician s journey healing body mind and - Jun 30 2023

web waking the spirit a musician s journey healing body mind and soul schulman andrew amazon sg books

waking the spirit a musician s journey healing body mind and - Sep 21 2022

web 40 59 40 99 30 88 purchase options and add ons an oliver sacks foundation best book of the year selection finalist for the books for a better life best first book award and a magazine pick in nonfiction the astounding story of a critically ill musician who is saved by music and returns to the same hospital to help heal others

waking the spirit a musician s journey healing body mind and - Oct 03 2023

web aug 1 2017 waking the spirit a musician s journey healing body mind and soul paperback august 1 2017 an oliver sacks foundation best book of the year selection finalist for the books for a better life best first book award and a

waking the spirit a musician s journey healing body mind and - Mar 16 2022

web aug 2 2016 waking the spirit a musician s journey healing body mind and soul is an amazing story of a professional musician who after experiencing a near death experience literally returns to life and playing music by the healing power of music

waking the spirit a musician s journey healing body mind and - Nov 23 2022

web waking the spirit a musician s journey healing body mind and soul schulman andrew primary category literature

nonfiction genre memoir annotated by carter iii albert howard catastrophe complementary medicine death and dying depression disease and health doctor patient relationship illness narrative pathography

waking the spirit a musician s journey healing body mind and - Apr 28 2023

web aug 1 2017 an oliver sacks foundation best book of the year selection finalist for the books for a better life best first book award and a people magazine pick in nonfiction the astounding story of a critically ill musician who is saved by music and returns to the same hospital to help heal others

waking the spirit a musician s journey healing body mind and - Feb 12 2022

web in waking the spirit you ll learn the astonishing stories of the people he s met along the way both patients and doctors and see the incredible role music can play in a modern hospital setting schulman expertly weaves cutting edge research on neuroscience and medicine as well as what he s learned as a professional musician to explore the

waking spirit prose poems the spirit sings eight time - Apr 16 2022

web in the essays in waking spirit ms cheng recounts her spiritual journey in a way that would move a boulder to dance her happiness is so pervasive that you may at first not be able to tune into it through a combination of essays aphorisms poems and haiku you ll find yourself moving up in spiritual blessedness from this uplifting volume

waking the spirit a musician s journey healing body m - Sep 02 2023

web feb 2 2016 4 24 249 ratings51 reviews for millennia music has been known to have a powerful role in the healing process this moving and inspiring book tells the tale of a man pulled from the brink of death by music who in turn uses music as medicine to

waking the spirit a musician s journey healing body mind - Jan 26 2023

web in waking the spirit you ll learn the astonishing stories of the people he s met along the way both patients and doctors and see the incredible role music can play in a modern hospital setting schulman expertly weaves cutting edge research on neuroscience and medicine as well as what he s learned as a professional musician to explore the

waking the spirit a musician s journey healing body mind and - Oct 23 2022

web waking the spirit a musician s journey healing body mind and soul schulman andrew 9781250132222 books amazon ca *course outline math1600 2021 western university* - Jun 06 2023

web mathemac 1600a linear algebra i fall semester 2021 list of prerequisites one or more of ontario secondary school mcv4u mathemac 1229a b calculus 1000a b or calculus 1500a b calculus 1000a b

course outline math 1600a linear algebra i1 math uwo ca - Mar 03 2023

web course outline math 1600a linear algebra i1 distance studies section 001 summer evening 2023 course information course information course name mathematics 1600a linear algebra i academic term summer evening 2023 sections section

001 and labs 002 009 instructors asghar ghorbanpour ph d

uwo math 1600 final 1 ai classmonitor com - Apr 23 2022

web uwo math 1600 final downloaded from ai classmonitor com by guest french raymond national faculty directory cengage learning methods of matrix algebra combined membership list american mathematical society rr bowker llc when you need to find anyone or anything in the library community just turn to american library directory 2004

math 1600 r uwo reddit - Sep 28 2022

web nov 12 2021 lastly math 1600 is a fascinating introduction to linear algebra however some students find it to be too rigorous and or dry for their liking good luck r uwo r uwo a subreddit for students faculty staff and alumni at western university in london ontario canada we are not officially affiliated with the university and western is

course outline math 1600a linear algebra i western - Feb 02 2023

web course outline math 1600a linear algebra i distance studies section 001 summer 2022 course information instructor asghar ghobanpour ph d email address aghorba uwo ca you must use your western uwo ca email account and must include math 1600 in the subject line of all emails to the instructor

math 1600 winter 2022 version 3 question 1 2 3 4 5 6 7 8 - Aug 08 2023

web version 3 of the math 1600 b class of 2021 2022 question total marks 44 score name print signature uwo id number the university of western ontario

wta finale in singapur angelique kerber nach - Feb 19 2022

web oct 29 2016 angelique kerber hat erstmals das endspiel der wta finals erreicht die weltranglisten erste setzte sich am samstag in singapur gegen agnieszka radwanska aus polen 6 2 6 1 durch

math 1600a course outline 1 course information western - Nov 30 2022

web course information math 1600a linear algebra i fall 2022 lecture section 001 franz mwf 8 30 9 30 mc 110 lecture section 002 ghorbanpour mwf 10 30 11 30 seb 2200 lecture section 020 sadeghi mwf 12 30 1 30 ssc 2028 the tutorials are 1h week either on wednesdays or thursdays

course outline math1600 2021 department of mathematics math 1600 - Jan 01 2023

web math 1600 final for december 12 2010 ubc 2008 fall vranckx sylvie math 1600 linear algebra i course outline course information mathematics 1600a linear algebra i fall semester 2021 list of prerequisites one or more of ontario secondary school mcv4u mathematics 1229a b calculus 1000a b or calculus 1500a b calculus 1000a b

the final exam a study in perseverance r uwo reddit - Aug 28 2022

web dec 16 2021 math 1600 final please tell me i wasn t the only one who found it hard i have a mid 90 in the course but that final killed me 8 6 comments best add a comment npcromancer computer science 2 yr ago i had a 99 but the final not

enough time to do the calculations

math 1600 linear algebra sections 001 and 002 western - Sep 09 2023

web classes end december 9 course materials textbook an ebook can be purchased from cengage technically you are renting the book here access until february 2021 is sufficient for this course alternatively there are a limited number of hard copies of the book available from the bookstore

linear algebra math 1600b winter 2022 department of mathematics - Jul 07 2023

web linear algebra math 1600b winter 2022 department of mathematics faculty of science western university western university in vibrant london ontario delivers an academic and student experience second to none skip to content

linear algebra math 1600b winter 2020 department of mathematics - Jun 25 2022

web in the event of a missed final exam a recommendation of special examination form must be obtained from the dean s office immediately for further information concerning uwo s policy on accomodation for medical illness please refer to this policy at uwo ca univsec handbook appeals accommodation medical pdf

math 1600 jdc math uwo ca - Oct 30 2022

web final exam the final examination will take place on monday december 8 9am to noon all students in section 001 write in ns1 for students in section 002 a to topa write in ns1 and tu to z write in ns7 the final exam will cover all the material from the course but will emphasize the later material see below for how conflicts are handled

004 quiz 1 math1600 quiz 1 math 1600 studocu - May 25 2022

web math1600 quiz 1 university the university of western ontario course linear algebra math 1600 187 documents students shared 187 documents in this course academic year 2012 2013 comments please sign in or registerto post comments recommended for you 11 week 1 notes linear algebra math 1600

mathematics 1600b linear algebra i winter 2023 western - Apr 04 2023

web mathematics 1600b linear algebra i winter 2023 course outline version jan 12 2023 may be updated later 1 course information course schedule lecture section 001 je rey mwf 12 30 1 30 ncb 113 lecture section 002 lemire mwf 10 30 11 30 seb 2200 lecture section 003 riley mwf 9 30 10 30 tc 141

dewiki olympische sommerspiele 2004 badminton herreneinzel - Mar 23 2022

web dass herreneinzel bei den olympischen sommerspielen 2004 wurde vom 14 bis 21 august in der goudi olympic hall ausgetragen insgesamt nahmen 32 athleten aus 21 ländern teil gespielt wurde im k o system dabei waren die acht besten athleten gesetzt und konnten somit erst im viertelfinale aufeinander treffen die erste Überraschung gab es gleich am

math 1600 uwo linear algebra studocu - Oct 10 2023

web studying math 1600 linear algebra at the university of western ontario on studocu you will find 90 lecture notes 62

practice materials 22 practical and much more

math 1600 final r uwo reddit - Jul 27 2022

web dec 16 2022 go to uwo r uwo by demardefrozan10 view community ranking in the top 5 of largest communities on reddit math 1600 final think i did ok but that was really hard thoughts comments sorted by best top new controversial q a add a comment tricky pair 1095 comp sci

math 1600 western university - May 05 2023

web math 1600b linear algebra i winter 2014 this course is over the web page for the current course can be found here please check this course web page and the exercises page regularly for announcements and updates the practice midterms are now on the exercises page no practice final exams are available