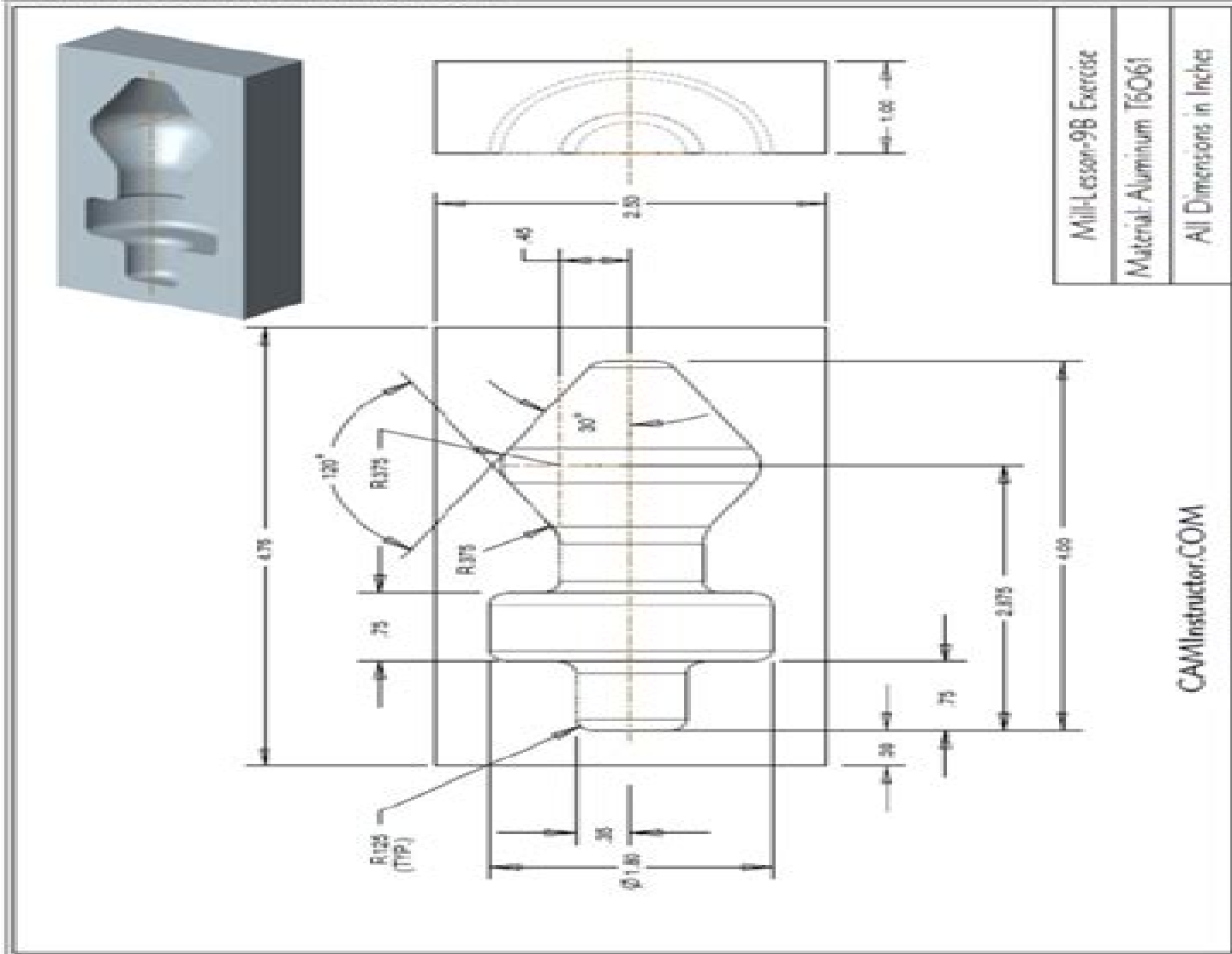


MILL-LESSON-9-EXERCISE-B



# [Mastercam Training Guide Wire Pdf Download](#)

**Lingjun Ying**



**Mastercam Training Guide Wire Pdf Download:**

Delve into the emotional tapestry woven by in **Mastercam Training Guide Wire Pdf Download** . This ebook, available for download in a PDF format ( Download in PDF: \*), is more than just words on a page; itis a journey of connection and profound emotion. Immerse yourself in narratives that tug at your heartstrings. Download now to experience the pulse of each page and let your emotions run wild.

[https://py.bijouxmedusa.com/results/publication/default.aspx/cbse\\_class\\_9\\_english\\_workbook\\_solutions\\_unit\\_1\\_.pdf](https://py.bijouxmedusa.com/results/publication/default.aspx/cbse_class_9_english_workbook_solutions_unit_1_.pdf)

## **Table of Contents Mastercam Training Guide Wire Pdf Download**

1. Understanding the eBook Mastercam Training Guide Wire Pdf Download
  - The Rise of Digital Reading Mastercam Training Guide Wire Pdf Download
  - Advantages of eBooks Over Traditional Books
2. Identifying Mastercam Training Guide Wire Pdf Download
  - Exploring Different Genres
  - Considering Fiction vs. Non-Fiction
  - Determining Your Reading Goals
3. Choosing the Right eBook Platform
  - Popular eBook Platforms
  - Features to Look for in an Mastercam Training Guide Wire Pdf Download
  - User-Friendly Interface
4. Exploring eBook Recommendations from Mastercam Training Guide Wire Pdf Download
  - Personalized Recommendations
  - Mastercam Training Guide Wire Pdf Download User Reviews and Ratings
  - Mastercam Training Guide Wire Pdf Download and Bestseller Lists
5. Accessing Mastercam Training Guide Wire Pdf Download Free and Paid eBooks
  - Mastercam Training Guide Wire Pdf Download Public Domain eBooks
  - Mastercam Training Guide Wire Pdf Download eBook Subscription Services
  - Mastercam Training Guide Wire Pdf Download Budget-Friendly Options

6. Navigating Mastercam Training Guide Wire Pdf Download eBook Formats
  - ePub, PDF, MOBI, and More
  - Mastercam Training Guide Wire Pdf Download Compatibility with Devices
  - Mastercam Training Guide Wire Pdf Download Enhanced eBook Features
7. Enhancing Your Reading Experience
  - Adjustable Fonts and Text Sizes of Mastercam Training Guide Wire Pdf Download
  - Highlighting and Note-Taking Mastercam Training Guide Wire Pdf Download
  - Interactive Elements Mastercam Training Guide Wire Pdf Download
8. Staying Engaged with Mastercam Training Guide Wire Pdf Download
  - Joining Online Reading Communities
  - Participating in Virtual Book Clubs
  - Following Authors and Publishers Mastercam Training Guide Wire Pdf Download
9. Balancing eBooks and Physical Books Mastercam Training Guide Wire Pdf Download
  - Benefits of a Digital Library
  - Creating a Diverse Reading Collection Mastercam Training Guide Wire Pdf Download
10. Overcoming Reading Challenges
  - Dealing with Digital Eye Strain
  - Minimizing Distractions
  - Managing Screen Time
11. Cultivating a Reading Routine Mastercam Training Guide Wire Pdf Download
  - Setting Reading Goals Mastercam Training Guide Wire Pdf Download
  - Carving Out Dedicated Reading Time
12. Sourcing Reliable Information of Mastercam Training Guide Wire Pdf Download
  - Fact-Checking eBook Content of Mastercam Training Guide Wire Pdf Download
  - Distinguishing Credible Sources
13. Promoting Lifelong Learning
  - Utilizing eBooks for Skill Development
  - Exploring Educational eBooks
14. Embracing eBook Trends
  - Integration of Multimedia Elements

- Interactive and Gamified eBooks

### **Mastercam Training Guide Wire Pdf Download Introduction**

In the digital age, access to information has become easier than ever before. The ability to download Mastercam Training Guide Wire Pdf Download has revolutionized the way we consume written content. Whether you are a student looking for course material, an avid reader searching for your next favorite book, or a professional seeking research papers, the option to download Mastercam Training Guide Wire Pdf Download has opened up a world of possibilities. Downloading Mastercam Training Guide Wire Pdf Download provides numerous advantages over physical copies of books and documents. Firstly, it is incredibly convenient. Gone are the days of carrying around heavy textbooks or bulky folders filled with papers. With the click of a button, you can gain immediate access to valuable resources on any device. This convenience allows for efficient studying, researching, and reading on the go. Moreover, the cost-effective nature of downloading Mastercam Training Guide Wire Pdf Download has democratized knowledge. Traditional books and academic journals can be expensive, making it difficult for individuals with limited financial resources to access information. By offering free PDF downloads, publishers and authors are enabling a wider audience to benefit from their work. This inclusivity promotes equal opportunities for learning and personal growth. There are numerous websites and platforms where individuals can download Mastercam Training Guide Wire Pdf Download. These websites range from academic databases offering research papers and journals to online libraries with an expansive collection of books from various genres. Many authors and publishers also upload their work to specific websites, granting readers access to their content without any charge. These platforms not only provide access to existing literature but also serve as an excellent platform for undiscovered authors to share their work with the world. However, it is essential to be cautious while downloading Mastercam Training Guide Wire Pdf Download. Some websites may offer pirated or illegally obtained copies of copyrighted material. Engaging in such activities not only violates copyright laws but also undermines the efforts of authors, publishers, and researchers. To ensure ethical downloading, it is advisable to utilize reputable websites that prioritize the legal distribution of content. When downloading Mastercam Training Guide Wire Pdf Download, users should also consider the potential security risks associated with online platforms. Malicious actors may exploit vulnerabilities in unprotected websites to distribute malware or steal personal information. To protect themselves, individuals should ensure their devices have reliable antivirus software installed and validate the legitimacy of the websites they are downloading from. In conclusion, the ability to download Mastercam Training Guide Wire Pdf Download has transformed the way we access information. With the convenience, cost-effectiveness, and accessibility it offers, free PDF downloads have become a popular choice for students, researchers, and book lovers worldwide. However, it is crucial to engage in ethical downloading practices and prioritize personal security when utilizing online platforms. By doing so,

individuals can make the most of the vast array of free PDF resources available and embark on a journey of continuous learning and intellectual growth.

## **FAQs About Mastercam Training Guide Wire Pdf Download Books**

**What is a Mastercam Training Guide Wire Pdf Download PDF?** A PDF (Portable Document Format) is a file format developed by Adobe that preserves the layout and formatting of a document, regardless of the software, hardware, or operating system used to view or print it. **How do I create a Mastercam Training Guide Wire Pdf Download PDF?** There are several ways to create a PDF: Use software like Adobe Acrobat, Microsoft Word, or Google Docs, which often have built-in PDF creation tools. Print to PDF: Many applications and operating systems have a "Print to PDF" option that allows you to save a document as a PDF file instead of printing it on paper. Online converters: There are various online tools that can convert different file types to PDF. **How do I edit a Mastercam Training Guide Wire Pdf Download PDF?** Editing a PDF can be done with software like Adobe Acrobat, which allows direct editing of text, images, and other elements within the PDF. Some free tools, like PDFescape or Smallpdf, also offer basic editing capabilities. **How do I convert a Mastercam Training Guide Wire Pdf Download PDF to another file format?** There are multiple ways to convert a PDF to another format: Use online converters like Smallpdf, Zamzar, or Adobe Acrobats export feature to convert PDFs to formats like Word, Excel, JPEG, etc. Software like Adobe Acrobat, Microsoft Word, or other PDF editors may have options to export or save PDFs in different formats. **How do I password-protect a Mastercam Training Guide Wire Pdf Download PDF?** Most PDF editing software allows you to add password protection. In Adobe Acrobat, for instance, you can go to "File" -> "Properties" -> "Security" to set a password to restrict access or editing capabilities. Are there any free alternatives to Adobe Acrobat for working with PDFs? Yes, there are many free alternatives for working with PDFs, such as: LibreOffice: Offers PDF editing features. PDFsam: Allows splitting, merging, and editing PDFs. Foxit Reader: Provides basic PDF viewing and editing capabilities. How do I compress a PDF file? You can use online tools like Smallpdf, ILovePDF, or desktop software like Adobe Acrobat to compress PDF files without significant quality loss. Compression reduces the file size, making it easier to share and download. Can I fill out forms in a PDF file? Yes, most PDF viewers/editors like Adobe Acrobat, Preview (on Mac), or various online tools allow you to fill out forms in PDF files by selecting text fields and entering information. Are there any restrictions when working with PDFs? Some PDFs might have restrictions set by their creator, such as password protection, editing restrictions, or print restrictions. Breaking these restrictions might require specific software or tools, which may or may not be legal depending on the circumstances and local laws.

**Find Mastercam Training Guide Wire Pdf Download :**

[cbse class 9 english workbook solutions unit 1](#)

[east irons asm specialty handbook soup](#)

[catalogue box culverts 1 capital precast](#)

[cermat berbahasa indonesia untuk perguruan tinggi e zaenal arifin](#)

**cgp chemistry revision answers**

**chapter 13 genetic engineering vocabulary review answer key**

**ccna 1 lab manual answers**

[celebrate recovery leaders guide](#)

**chapter 15 darwin s theory crossword puzzle**

[cement chemistry taylor](#)

**chapter 12 section 1 d reading answers**

[cell biology vol 1 a laboratory handbook](#)

**cbse class 12 biology practical lab manual**

**catholic worship full music edition**

[ch 3 atomic structure and the periodic table](#)

**Mastercam Training Guide Wire Pdf Download :**

**vintage schiffsplakate kalender 2019 by weingarten** - Oct 25 2021

web june 6th 2020 vintage schiffsplakate 2019 jetzt vintage schiffsplakate 2019 bestellen und weitere tolle kalender

entdecken auf weltbild de historische schiffsplakate

**schiffsplakate 2022 kalender günstig bei weltbild de bestellen** - Dec 07 2022

web der kalender schiffsplakate bringt eine frische brise in jeden raum er lädt ein sich in eine welt zu versetzen in der das schiff noch das transportmittel par excellence war

**schiffsplakate 2018 großer kunstkalender wandkalender mit** - Dec 27 2021

web viel lesen schiffsplakate 2018 großer kunstkalender wandkalender mit vintage plakaten von booten im kunst ga ebook herunterladen schiffsp

**schiffsplakate 2021 großer kunstkalender wandkalender mit** - Jun 13 2023

web apr 1 2020 schiffsplakate 2021 großer kunstkalender wandkalender mit historischen vintage plakaten für schiff reisen

48 x 64cm korsch verlag amazon de books

**schiffsplakate kunst wandkalender 2023 action office** - Jun 01 2022

web schiffsplakate kunst wandkalender 2023 die zwölf historischen schiffsplakate sind künstlerisch hochwertig konzipiert sie sind begehrte sammelobjekte da sie zum einen

[schiffsplakate 2022 kalender günstig bei weltbild de bestellen](#) - Sep 04 2022

web jetzt schiffsplakate 2022 bestellen und weitere tolle kalender entdecken auf weltbild de

**schiffsplakate 2019 kunst gallery kalender new book ebay** - Mar 30 2022

web title schiffsplakate 2019 kunst gallery kalender authors schiffsplakate 2019 kunst gallery kalender binding calendar condition new publish date 01 04 2018

**schiffsplakate 2022 großer kunstkalender wandkalender mit** - Feb 09 2023

web schiffsplakate 2022 großer kunstkalender wandkalender mit historischen vintage plakaten für schiff reisen 48 x 64cm editor korsch korsch verlag publisher korsch

**schiffsplakate 201719 2019 grosser kunstkalender pdf** - Apr 30 2022

web schiffsplakate 201719 2019 grosser kunstkalender pdf yeah reviewing a ebook schiffsplakate 201719 2019 grosser kunstkalender pdf could increase your close

**schiffsplakate 2018 großer kunstkalender wandkalender mit** - Apr 11 2023

web apr 1 2017 schiffsplakate 2018 großer kunstkalender wandkalender mit vintage plakaten von booten im kunst gallery format 48 x 64 cm foliendeckblatt korsch

*[schiffsplakate 201719 2019 grosser kunstkalender](#)* - Aug 15 2023

web schiffsplakate 201719 2019 grosser kunstkalender den nachthimmel erleben dec 28 2019 dieses buch zeigt wie spannend astronomie sein kann mit einfachen

**historische schiffsplakate kalender 2019 youtube** - Jan 08 2023

web die kunst des werbensbrillante reproduktionen alter reedereiplakate die mehr als nur zeitgenössische werbung darstellen zeigt dieser kalender neben der au

**schiffsplakate 201719 2019 grosser kunstkalender pdf pdf** - May 12 2023

web schiffsplakate 201719 2019 grosser kunstkalender pdf upload dona z robertson 1 1 downloaded from voto uncal edu br on august 18 2023 by dona z robertson the

*[file schiffsplakate 2013 gallery kunstkalender](#)* - Sep 23 2021

web buch in deutsch schiffsplakate 2013 gallery kunstkalender bücher ebook download schiffsplakate 2013 gallery kunstkalender bücher gratis

**schiffsplakate 2019 kunst gallery kalender amazon co uk** - Aug 03 2022

web apr 1 2018 schiffsplakate 2019 kunst gallery kalender korsch verlag amazon co uk books

**schiffsplakate 2018 großer kunstkalender wandkalender mit** - Feb 26 2022

web bücher amazon schiffsplakate 2018 großer kunstkalender wandkalender mit vintage plakaten von booten im kunst ga gratis download bücher sc

*schiffsplakate 2019 kunst gallery kalender new book* - Jan 28 2022

web find many great new used options and get the best deals for schiffsplakate 2019 kunst gallery kalender new book at the best online prices at ebay free shipping for many products

**historische schiffsplakate 2022 amazon de bücher** - Mar 10 2023

web der delius klasing verlag bringt im wechsel großformatige wandkalender mit reproduktionen historischer eisenbahn oder schiffsplakate heraus für 2022 sind nun

*schiffsplakate 2021 grosser kunstkalender wandkalender mit* - Jul 02 2022

web schiffsplakate 2021 grosser kunstkalender wandkalender mit historischen vintage plakaten fuer welt reisen 48 x 64cm on amazon com free shipping on qualifying

schiffsplakate 2024 großer kunstkalender wandkalender mit - Oct 05 2022

web may 1 2023 buy schiffsplakate 2024 großer kunstkalender wandkalender mit historischen vintage plakaten für schiff reisen 48 x 64cm by korsch verlag isbn

schiffsplakate books abebooks - Nov 06 2022

web schiffsplakate 2019 kunst gallery kalender and a great selection of related books art and collectibles available now at abebooks com

schiffsplakate 2018 großer kunstkalender wandkalender mit - Nov 25 2021

web you should download this ebook i furnish downloads as a pdf amazon dx word txt ppt rar and zip existing are various books in the planet that could decrease our erudition one

**schiffsplakate 201719 2019 grosser kunstkalender** - Jul 14 2023

web feb 24 2023 schiffsplakate 201719 2019 grosser kunstkalender if you ally compulsion such a referred schiffsplakate 201719 2019 grosser kunstkalender books that will

**cómo aprender electronica fácil videoclase nº 01 youtube** - Jul 22 2023

cómo aprender electronica fácil videoclase nº 01 omar cuellar barrero 68 3k subscribers 9 3k views 5 years ago aprende electronica basica aprendeelectronica com le participa de una

electrónica básica para principiantes descarga nuestro pdf - Aug 23 2023

para guiar su aprendizaje acabamos de desarrollar una guía de electrónica básica para principiantes gratuita la cual contiene todos los conceptos básicos necesarios que se explican paso a paso con ejemplos claros el contenido de este pdf gratuito se divide en los siguientes tópicos definición de electrónica

[electronica basica facil electronica facil de aprender spanish](#) - Dec 15 2022

jan 16 2015 electronica basica facil electronica facil de aprender spanish edition rodriguez ernesto on amazon com free shipping on qualifying offers

**electronica basica facil electronica facil de aprender** - Sep 24 2023

electronica basica facil electronica facil de aprender rodriguez ernesto amazon com tr kitap

**electronica basica facil electronica facil de apr oecd** - Aug 11 2022

may 11 2023 install the electronica basica facil electronica facil de apr it is enormously simple then in the past currently we extend the link to purchase and make bargains to download and install electronica basica facil electronica facil de apr thus simple beliefs in government max kaase 1995 11 23 this concise overview volume pulls

[electronica basica facil electronica facil de aprender](#) - Jan 16 2023

electronica basica facil electronica facil de aprender de rodriguez ernesto isbn 10 1505866413 isbn 13 9781505866414 createspace independent publishing platform 2015 tapa blanda

**curso fácil de electrónica básica pdf youtube** - Nov 14 2022

mar 17 2019 curso fácil de electrónica básica pdf libro en formato digital cekit s a presenta a sus lecto res de toda américa latina esta obra curso fácil de electró nica básica que incorpora

[electronica basica facil electronica facil de apr pdf uniport edu](#) - Sep 12 2022

aug 2 2023 basica facil electronica facil de apr but stop happening in harmful downloads rather than enjoying a fine ebook later than a cup of coffee in the afternoon instead they juggled afterward some harmful virus inside their computer

electronica basica facil electronica facil de apr is comprehensible in our

**electronica basica facil en5zkd2q7eno documents and e books** - May 08 2022

download view electronica basica facil as pdf for free curso facil de electronica basica cekit pdf october 2019 109 electronica basica september 2020 0 electronica basica september 2020 0 fundamentos electronica basica may 2021 0 66 electronica basica ii april 2020 26 more documents from elmar duque quiceno

[bilgisayar ne kadar elektrik harcar faturayı nasıl etkiler](#) - Feb 05 2022

sep 29 2020 Örnek 2 6 30 78 kw aylık bilgisayar elektrik tüketimi 5 Ülkemizde 1 kw elektriğin ortalama ücretini 70 kuruş olarak temel alalım aylık fatura giderinizi hesaplamak için elektrik tüketiminiz ile ücreti çarpın Örnek 78 0 7 54 6 tl

bilgisayarınızın faturanıza aylık etkisi

*electronica basica facil electronica facil de aprender* - May 20 2023

dentro del libro podréis encontrar magnitudes eléctricas y electrónicas carga eléctrica y corriente tensión o voltaje intensidad de corriente resistencia eléctrica potencia eléctrica energía eléctrica ley de ohm circuitos serie y paralelo el polímetro medida de resistencias medida de tensiones medida de intensidades las

*los 45 mejores tutoriales de electrónica fácil te encantarán* - Jun 21 2023

esta sección cubre tutoriales básicos de electricidad presentes en varios dominios de la electrónica si eres un principiante absoluto esta sección es el punto de partida perfecto para aprender los conceptos más básicos y no tan básicos del mundo de la electrónica

*electrónica básica para principiantes teoría y práctica udemy* - Mar 18 2023

este curso contiene las herramientas teórico prácticas para que inicies este apasionante mundo que es la electrónica tales como conceptos como resistencia voltaje y corriente resolución de ejercicios con resistencias en serie paralelo y mixtos ley de ohm principios físicos en la electrónica medición con multímetro de las

[electronica basica facil electronica facil de apr pdf uniport edu](#) - Apr 19 2023

apr 13 2023 merely said the electronica basica facil electronica facil de apr is universally compatible taking into consideration any devices to read world report on road traffic injury prevention marjorie peden 2008 09 01 every day thousands of people are killed and injured on our roads millions of people each year will spend long weeks in the hospital

*electronica basica facil electronica facil de apr* - Jun 09 2022

4 electronica basica facil electronica facil de apr 2020 06 17 escribir un manual de electrónica aquí lo tenéis dentro del libro podréis encontrar magnitudes eléctricas y electrónicas carga eléctrica y corriente tensión o voltaje intensidad de corriente resistencia eléctrica potencia eléctrica energía eléctrica ley de ohm

*eba Şifresi nasıl alınır eba tek kullanımlık Şifre al* - Jul 10 2022

oct 15 2023 eba tek kullanımlık Şifre al sisteme kayıtlı cep telefonu numarasını gir ve gönder butonuna bas sisteme kayıtlı cep telefonu numaran yoksa öğretmeninden veya velinden tek kullanımlık şifre edinerek ve Öğrenci olarak eba şifremi nasıl oluştururum bölümünden yardım alarak şifreni yeniden oluşturabilirsin

**electronica basica facil electronica facil de apr pdf pdf** - Oct 13 2022

realize not discover the pronouncement electronica basica facil electronica facil de apr pdf that you are looking for it will certainly squander the time however below afterward you visit this web page it will be suitably unconditionally simple to get as capably as download guide electronica basica facil electronica facil de apr pdf

**elektrik tasarrufu nasıl yapılır cumhuriyet** - Apr 07 2022

nov 18 2020 Üç zamanlı tarife kullanarak elektrik faturalarından tasarruf etmek için 24 saat çalışmak zorunda olmayan

çamaşır makinesi bulaşık makinesi ütü su ısıtıcı gibi yüksek  
[elektrik faturası hesaplama aydınlatma portalı](#) - Mar 06 2022

apr 2 2023 abone ol elektrik faturasını hesaplamak için elektrik tüketimini birim elektrik maliyetiyle çarpmak yeterlidir belirli bir tüketime kadar farklı sonrasında farklı fiyatın uygulandığı kademeli tarife sisteminde daha karmaşık bir hesaplama yapmak gerekir elektrik tüketimi bir enerji birimi olan kilowatt saat kwh ile ifade

**electronica basica facil electronica facil de aprender** - Feb 17 2023

electronica basica facil electronica facil de aprender spanish edition by rodriguez ernesto isbn 10 1505866413 isbn 13 9781505866414 createspace independent publishing platform 2015 softcover

[pedro el gato de pie libro para niños de 2 a 5 años el valor de](#) - Jan 08 2023

web pedro el gato de pie libro para niños de 2 a 5 años el valor de la amistad y de ser único y diferente un libro de jean jullien robert nadine jullien jean amazon se böcker

**el corte inglés** - Apr 30 2022

web pedro el gato de pie

**pedro el gato de pie libro para niños de 2 a 5 años el valor de** - Oct 05 2022

web pedro el gato de pie libro para niños de 2 a 5 años el valor de la amistad y de ser Único y diferente un libro de jean jullien robert nadine 15 00 pedro el gato de pie nos muestra el valor de la amistad y que a veces ser diferente te hace único y especial nadine robert la autora consiguió realizar el

[pedro el gato de pie by nadine robert hardcover target](#) - Dec 27 2021

web read reviews and buy pedro el gato de pie by nadine robert hardcover at target choose from same day delivery drive up or order pickup free standard shipping with 35 orders expect more pay less

[pedro el gato de pie libro para niños de 2 a 5 años el valor de](#) - Aug 03 2022

web pedro el gato de pie libro para niños de 2 a 5 años el valor de la amistad y de ser único y diferente un libro de jean jullien cuentos con valores band 2 robert nadine jullien jean amazon de books

[cuentos infantiles en español pedro el gato de pie libro infantil en](#) - Feb 26 2022

web dec 14 2020 cuentos infantiles en español pedro el gato de pie libro infantil en español alguna vez has conocido a un gato qué camine de pie asi es pedro

**pedro el gato de pie el valor de la amistad y de ser único y** - Jul 14 2023

web pedro el gato de pie el valor de la amistad y de ser único y diferente un libro de jean jullien 2 cuentos con valores robert nadine jullien jean amazon es libros libros infantil literatura y ficción nuevo 15 00 precio final del producto devoluciones gratis entrega gratis el sábado 10 de diciembre en tu primer pedido

**pedro el gato de pie libro para niños de 2 a 5 años** - Nov 06 2022

web pedro el gato de pie nos muestra el valor de la amistad y que a veces ser diferente te hace único y especial nadine robert la autora consiguió realzar el valor de la amistad de una forma única y muy original es un libro ideal para el primer día de colegio ya que el mensaje da a entender que todos podemos ser distintos que eso nos

**pedro el gato de pie libro para niños de 2 a 5 años** - Jun 01 2022

web compre o livro pedro el gato de pie libro para niños de 2 a 5 años de nadine robert em bertrand pt portes grátis

pedro el gato de pie libro para niños de 2 a 5 años todos tus libros - Dec 07 2022

web pedro el gato de pie es un libro infantil recomendado para niños de 3 a 5 años de jean jullien que nos muestra el valor de la amistad y que a veces ser diferente te hace único y especial una mañana marcos se encuentra una caja delante de

**pedro el gato de pie el valor de la amistad y de ser** - Jun 13 2023

web pedro el gato de pie es un libro infantil recomendado para niños de 3 a 5 años de jean ju pedro el gato de pie el valor de la amistad y de ser único y diferente un libro de jean jullien 2 by nadine robert goodreads

amazon com pedro el gato de pie el valor de la amistad y de - Apr 11 2023

web summary in spanish pedro el gato de pie es un libro infantil en español recomendado para niños de 3 a 5 años de jean jullien que nos muestra el valor de la amistad y que a veces ser diferente te hace único y especial una mañana marcos encuentra una caja frente a su puerta intrigado la abre

*pedro el gato de pie nadine robert casa del libro* - Feb 09 2023

web pedro el gato de pie es un libro infantil recomendado para niños de 3 a 5 años de jean jullien que nos muestra el valor de la amistad y que a veces ser diferente te hace único y especial una mañana marcos se encuentra una caja delante de

pedro el gato de pie libro para niños de 2 a 5 años - Mar 30 2022

web un buen día desde su cocina marcos oye un sonoro maullido sobresaltado sale a su jardín a curiosear y se topa de bruces con una peluda sorpresa

**el corte inglés** - Sep 04 2022

web pedro el gato de pie libro para niños de 2 a 5 años el valor de la amistad y de ser único y diferente un libro de jean jullien tapa dura

pedro el gato de pie libro para niños de 2 a 5 años el valor de - Mar 10 2023

web pedro el gato de pie libro para niños de 2 a 5 años el valor de la amistad y de ser único y diferente un libro de jean jullien cuentos con valores band 2 robert nadine jullien jean amazon de bücher

**pedro el gato de pie libro para niños de 2 a 5 años el valor de** - Aug 15 2023

web may 8 2019 an edition of pedro el gato de pie libro para niños de 2 a 5 años el valor de la amistad y de ser único y

diferente 2019

**pedro el gato de pie libro infantil sobre la amistad** - Jan 28 2022

web pedro el gato de pie es un libro infantil para niños de 2 a 6 años que nos muestra el valor de la amistad y que a veces ser diferente te hace único y e

**pedro el gato de pie libro para niños de 2 a 5 años el valor de** - May 12 2023

web buy pedro el gato de pie libro para niños de 2 a 5 años el valor de la amistad y de ser único y diferente un libro de jean jullien by robert nadine jullien jean online on amazon ae at best prices fast and free shipping free returns cash on delivery available on eligible purchase

pedro el gato de pie libro para niños de 2 a 5 años el valor de - Jul 02 2022

web pedro el gato de pie libro para niños de 2 a 5 años el valor de la amistad y de ser único y diferente un libro de jean jullien robert nadine jullien jean amazon pl książki