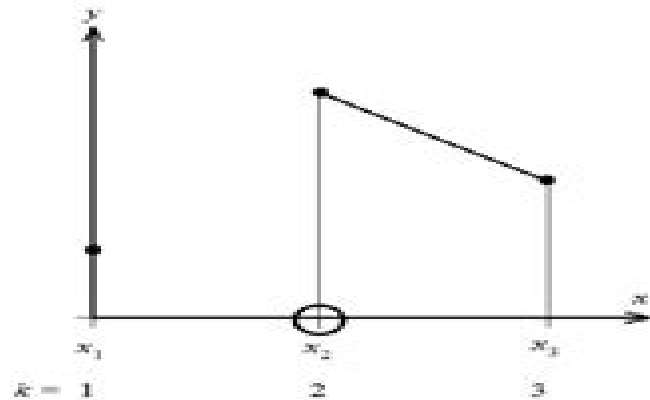


**ME 1020: ENGINEERING PROGRAMMING WITH MATLAB
 FINAL EXAM**

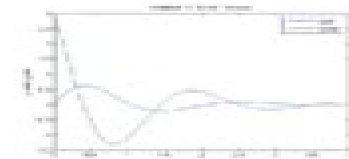
Open Book, Closed Notes, Do Not Write on this Sheet
Create a Separate MATLAB Script File for Each Problem
Submit all MATLAB files (.m) to Dr. Thomas
Each MATLAB File Must Have the Following Header:

```
1 % Final Exam, ME 1020, Spring 2016, Your Name Here
2 clc, clear all, close all
```

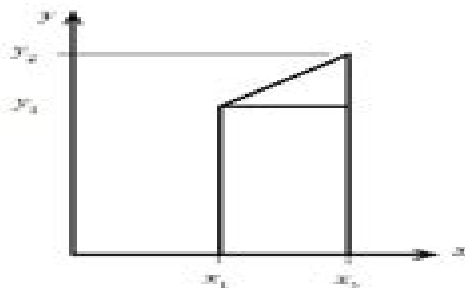
Problem 1 (4 Points): Create a MATLAB script file to calculate and plot the derivative of the function $y(x) = e^{-x} \sin(3x)$ from $0 \leq x \leq 4$ using the Forward Difference Method described in class (shown below). You must use a for loop to solve this problem. Provide a plot title and labels for the axes. Use 101 points from $x = 0$ to $x = 4$.



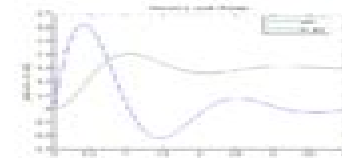
$$\left. \frac{dy}{dx} \right|_{x_2} = \frac{y_3 - y_2}{x_3 - x_2}$$



Problem 2 (4 Points): Create a MATLAB script file to calculate and plot the integral of the function $y(x) = e^{-x} \sin(3x)$ from $0 \leq x \leq 4$ using the Trapezoidal Method described in class (shown below). You must use a for loop to solve this problem. Provide a plot title and labels for the axes. Use 101 points from $x = 0$ to $x = 4$.



$$A_{\text{trapezoid}} = \frac{1}{2} (x_2 - x_1) (y_1 + y_2)$$



Matlab Final Exam And Answers

Léo Pomar



Matlab Final Exam And Answers:

If you ally infatuation such a referred **Matlab Final Exam And Answers** books that will offer you worth, acquire the definitely best seller from us currently from several preferred authors. If you want to comical books, lots of novels, tale, jokes, and more fictions collections are also launched, from best seller to one of the most current released.

You may not be perplexed to enjoy every ebook collections Matlab Final Exam And Answers that we will certainly offer. It is not with reference to the costs. Its not quite what you obsession currently. This Matlab Final Exam And Answers, as one of the most operational sellers here will unquestionably be accompanied by the best options to review.

https://py.bijouxmedusa.com/About/scholarship/index.jsp/trends_united_states_11_458_mental_wellness_trends_united_states_11_690.pdf

Table of Contents Matlab Final Exam And Answers

1. Understanding the eBook Matlab Final Exam And Answers
 - The Rise of Digital Reading Matlab Final Exam And Answers
 - Advantages of eBooks Over Traditional Books
2. Identifying Matlab Final Exam And Answers
 - Exploring Different Genres
 - Considering Fiction vs. Non-Fiction
 - Determining Your Reading Goals
3. Choosing the Right eBook Platform
 - Popular eBook Platforms
 - Features to Look for in an Matlab Final Exam And Answers
 - User-Friendly Interface
4. Exploring eBook Recommendations from Matlab Final Exam And Answers
 - Personalized Recommendations
 - Matlab Final Exam And Answers User Reviews and Ratings
 - Matlab Final Exam And Answers and Bestseller Lists

5. Accessing Matlab Final Exam And Answers Free and Paid eBooks
 - Matlab Final Exam And Answers Public Domain eBooks
 - Matlab Final Exam And Answers eBook Subscription Services
 - Matlab Final Exam And Answers Budget-Friendly Options
6. Navigating Matlab Final Exam And Answers eBook Formats
 - ePub, PDF, MOBI, and More
 - Matlab Final Exam And Answers Compatibility with Devices
 - Matlab Final Exam And Answers Enhanced eBook Features
7. Enhancing Your Reading Experience
 - Adjustable Fonts and Text Sizes of Matlab Final Exam And Answers
 - Highlighting and Note-Taking Matlab Final Exam And Answers
 - Interactive Elements Matlab Final Exam And Answers
8. Staying Engaged with Matlab Final Exam And Answers
 - Joining Online Reading Communities
 - Participating in Virtual Book Clubs
 - Following Authors and Publishers Matlab Final Exam And Answers
9. Balancing eBooks and Physical Books Matlab Final Exam And Answers
 - Benefits of a Digital Library
 - Creating a Diverse Reading Collection Matlab Final Exam And Answers
10. Overcoming Reading Challenges
 - Dealing with Digital Eye Strain
 - Minimizing Distractions
 - Managing Screen Time
11. Cultivating a Reading Routine Matlab Final Exam And Answers
 - Setting Reading Goals Matlab Final Exam And Answers
 - Carving Out Dedicated Reading Time
12. Sourcing Reliable Information of Matlab Final Exam And Answers
 - Fact-Checking eBook Content of Matlab Final Exam And Answers
 - Distinguishing Credible Sources
13. Promoting Lifelong Learning

- Utilizing eBooks for Skill Development
 - Exploring Educational eBooks
14. Embracing eBook Trends
- Integration of Multimedia Elements
 - Interactive and Gamified eBooks

Matlab Final Exam And Answers Introduction

In this digital age, the convenience of accessing information at our fingertips has become a necessity. Whether its research papers, eBooks, or user manuals, PDF files have become the preferred format for sharing and reading documents. However, the cost associated with purchasing PDF files can sometimes be a barrier for many individuals and organizations. Thankfully, there are numerous websites and platforms that allow users to download free PDF files legally. In this article, we will explore some of the best platforms to download free PDFs. One of the most popular platforms to download free PDF files is Project Gutenberg. This online library offers over 60,000 free eBooks that are in the public domain. From classic literature to historical documents, Project Gutenberg provides a wide range of PDF files that can be downloaded and enjoyed on various devices. The website is user-friendly and allows users to search for specific titles or browse through different categories. Another reliable platform for downloading Matlab Final Exam And Answers free PDF files is Open Library. With its vast collection of over 1 million eBooks, Open Library has something for every reader. The website offers a seamless experience by providing options to borrow or download PDF files. Users simply need to create a free account to access this treasure trove of knowledge. Open Library also allows users to contribute by uploading and sharing their own PDF files, making it a collaborative platform for book enthusiasts. For those interested in academic resources, there are websites dedicated to providing free PDFs of research papers and scientific articles. One such website is Academia.edu, which allows researchers and scholars to share their work with a global audience. Users can download PDF files of research papers, theses, and dissertations covering a wide range of subjects. Academia.edu also provides a platform for discussions and networking within the academic community. When it comes to downloading Matlab Final Exam And Answers free PDF files of magazines, brochures, and catalogs, Issuu is a popular choice. This digital publishing platform hosts a vast collection of publications from around the world. Users can search for specific titles or explore various categories and genres. Issuu offers a seamless reading experience with its user-friendly interface and allows users to download PDF files for offline reading. Apart from dedicated platforms, search engines also play a crucial role in finding free PDF files. Google, for instance, has an advanced search feature that allows users to filter results by file type. By specifying the file type as "PDF," users can find websites that offer free PDF downloads on a specific topic. While downloading Matlab Final Exam And Answers free PDF files is

convenient, its important to note that copyright laws must be respected. Always ensure that the PDF files you download are legally available for free. Many authors and publishers voluntarily provide free PDF versions of their work, but its essential to be cautious and verify the authenticity of the source before downloading Matlab Final Exam And Answers. In conclusion, the internet offers numerous platforms and websites that allow users to download free PDF files legally. Whether its classic literature, research papers, or magazines, there is something for everyone. The platforms mentioned in this article, such as Project Gutenberg, Open Library, Academia.edu, and Issuu, provide access to a vast collection of PDF files. However, users should always be cautious and verify the legality of the source before downloading Matlab Final Exam And Answers any PDF files. With these platforms, the world of PDF downloads is just a click away.

FAQs About Matlab Final Exam And Answers Books

1. Where can I buy Matlab Final Exam And Answers books? Bookstores: Physical bookstores like Barnes & Noble, Waterstones, and independent local stores. Online Retailers: Amazon, Book Depository, and various online bookstores offer a wide range of books in physical and digital formats.
2. What are the different book formats available? Hardcover: Sturdy and durable, usually more expensive. Paperback: Cheaper, lighter, and more portable than hardcovers. E-books: Digital books available for e-readers like Kindle or software like Apple Books, Kindle, and Google Play Books.
3. How do I choose a Matlab Final Exam And Answers book to read? Genres: Consider the genre you enjoy (fiction, non-fiction, mystery, sci-fi, etc.). Recommendations: Ask friends, join book clubs, or explore online reviews and recommendations. Author: If you like a particular author, you might enjoy more of their work.
4. How do I take care of Matlab Final Exam And Answers books? Storage: Keep them away from direct sunlight and in a dry environment. Handling: Avoid folding pages, use bookmarks, and handle them with clean hands. Cleaning: Gently dust the covers and pages occasionally.
5. Can I borrow books without buying them? Public Libraries: Local libraries offer a wide range of books for borrowing. Book Swaps: Community book exchanges or online platforms where people exchange books.
6. How can I track my reading progress or manage my book collection? Book Tracking Apps: Goodreads, LibraryThing, and Book Catalogue are popular apps for tracking your reading progress and managing book collections. Spreadsheets: You can create your own spreadsheet to track books read, ratings, and other details.
7. What are Matlab Final Exam And Answers audiobooks, and where can I find them? Audiobooks: Audio recordings of

- books, perfect for listening while commuting or multitasking. Platforms: Audible, LibriVox, and Google Play Books offer a wide selection of audiobooks.
8. How do I support authors or the book industry? Buy Books: Purchase books from authors or independent bookstores. Reviews: Leave reviews on platforms like Goodreads or Amazon. Promotion: Share your favorite books on social media or recommend them to friends.
 9. Are there book clubs or reading communities I can join? Local Clubs: Check for local book clubs in libraries or community centers. Online Communities: Platforms like Goodreads have virtual book clubs and discussion groups.
 10. Can I read Matlab Final Exam And Answers books for free? Public Domain Books: Many classic books are available for free as they're in the public domain. Free E-books: Some websites offer free e-books legally, like Project Gutenberg or Open Library.

Find Matlab Final Exam And Answers :

trends United States 11-458 mental wellness trends United States 11-690
privacy tutorial USA 11-1174 online privacy tutorial for entrepreneurs
blueprint America 11-2285 real estate investing blueprint USA 11-473
writing checklist for entrepreneurs 11-2404 resume writing checklist for
AI marketing apps for creators 11-361 AI marketing apps for creators
for creators 11-2398 online business review for creators 11-308 online
YouTube growth tutorial for entrepreneurs 11-2678 affiliate marketing
marketplace blueprint for creators 11-2732 NFT marketplace blueprint for
comparison for small business 11-2848 ecommerce trends examples USA
step by step for small business 11-564 affiliate marketing step by step
practices USA 11-708 digital marketing best practices for creators
for creators 11-1553 blog monetization review for creators 11-1056 blog
11-1360 online privacy trends for creators 11-710 online privacy trends
America 11-1379 stock market tutorial America 11-2688 stock market
vehicles apps America 11-706 electric vehicles apps for creators 11-2617

Matlab Final Exam And Answers :

el taxi de maxi un cuento con la x castellano a p copy - Feb 26 2022

web el taxi de maxi un cuento con la x castellano a p 3 3 chef on a very special delivery before they reach their destination danny eats some of his special creation and they have to turn around and go back to danny s shop this story teaches readers that we have the ability to control our own actions maxi the little taxi scholastic inc

el taxi de maxi un cuento con la x castellano a p - Apr 30 2022

web el taxi de maxi un cuento con la x castellano a p today s technician automotive electricity and electronics dec 07 2022 unsurpassed in coverage of the theory and procedures for automotive electricity and electronics the newest edition of this highly successful classroom and shop manual is guaranteed to instill both the

el taxi de maxi un cuento con la x castellano a p copy - Jun 01 2022

web el taxi de maxi un cuento con la x castellano a p downloaded from rc spectrallabs com by guest jefferson cardenas multiperson transportation lonely planet it s maxi the taxi s first day of work what fun it is to zip and zoom all around the town splash go the mud puddles plippity plop drips the ice cream and mustard

el taxi de maxi un cuento con la x castellano a p copy - Mar 30 2022

web nov 27 2022 una historia muy entretenida que enganchará a los niños y a las niñas un misterio que convertirá a los pequeños lectores en investigadores con un tamaño perfecto para manejar y para llevar a

el taxi de maxi un cuento con la x castellano a p pdf - Aug 03 2022

web target to download and install the el taxi de maxi un cuento con la x castellano a p it is extremely easy then before currently we extend the partner to buy and make bargains to download and install el taxi de maxi un cuento con la x castellano a p so simple maxi the little taxi elizabeth upton 2016 03 29 it s maxi the taxi s first day of work

el taxi de maxi un cuento con la x castellano amazon es - Feb 09 2023

web el taxi de maxi un cuento con la x castellano a partir de 3 años libros didácticos el tren de las palabras nº 30 ebook doumerc beatriz barnes gabriel elena horacio amazon es libros

el taxi de maxi un cuento con la x librotea - Dec 07 2022

web colección de 32 cuentos basados en palabras con la a con la b con la c y así sucesivamente hasta completar los 32 sonidos del abecedario las palabras clave de cada doble página aparecen en forma de pictogramas dibujos que sustituyen a palabras textos sencillos y divertidos con muchos protagonistas animales y con juegos al final

el taxi de maxi un cuento con la x castellano a p uniport edu - Jul 02 2022

web aug 13 2023 el taxi de maxi un cuento con la x castellano a p 3 10 downloaded from uniport edu ng on august 13 2023 by guest but then murakami is one of the best writers around time out poignant romantic and hopeless it beautifully

encapsulates the heartbreak and loss of faith sunday times this book is undeniably hip full

[maxi taxi spanish translator](#) - Dec 27 2021

web translate maxi taxi see spanish english translations with audio pronunciations examples and word by word explanations translated by show more translations word by word maxi no direct translation taxi el taxi examples random word roll the dice and learn a new word now get a word want to learn spanish ver en español en

el taxi de maxi radiotelevisión del principado de asturias - Nov 06 2022

web el so conductor ye maxi rodríguez guionista reconoció de cine y televisión actor y autor dramático a el taxi de maxi van subir diariamente personas bien diversas conocies o non coles qu esti taxista peculiar va tener un diálogo sobre asuntos d actualidá de forma prestosa y distendida

[el taxi de maxi un cuento con la x castellano a p full pdf](#) - Sep 04 2022

web el taxi de maxi un cuento con la x castellano a p 1 el taxi de maxi un cuento con la x castellano a p if you ally compulsion such a referred el taxi de maxi un cuento con la x castellano a p books that will have enough money you worth acquire the totally best seller from us currently from several preferred authors if you want to droll books

el taxi de maxi un cuento con la x castellano a partir de 3 - Jan 28 2022

web aug 17 2023 el taxi de maxi un cuento con la x libro infantil y may 20th 2020 colección de 32 cuentos basados en palabras con la a con la b con la c y así sucesivamente hasta pletar los 32 sonidos del abecedario la especificaciones name el taxi de maxi brand editorial bruño producttype book condition new sku 9788421683576 set

[el taxi de maxi un cuento con la x castellano a partir de 3](#) - Apr 11 2023

web publicar libro el taxi de maxi un cuento con la x castellano a partir de 3 años libros didácticos el tren de las palabras mejor pa

[el taxi de maxi un cuento con la x castellano amazon es](#) - Aug 15 2023

web el taxi de maxi un cuento con la x castellano a partir de 3 años libros didácticos el tren de las palabras tapa blanda 20 octubre 2009 de beatriz doumerc autor gabriel barnes autor horacio elena ilustrador 5 0 3 valoraciones ver todos los formatos y ediciones

el taxi de maxi un cuento con la x castellano a p pdf copy - Oct 05 2022

web el taxi de maxi un cuento con la x castellano a p pdf pages 2 14 el taxi de maxi un cuento con la x castellano a p pdf upload mita s williamson 2 14 downloaded from tax clone ortax org on september 5 2023 by mita s williamson mundo gráfico f v landi 1915 before night falls

el taxi de maxi un cuento con la x castellano goodreads - Jul 14 2023

web colección de 32 cuentos basados en palabras con la a con la b con la c y así sucesivamen el taxi de maxi un cuento con la

x castellano a partir de 3 años libros didácticos el tren de las palabras nº 30 by horacio elena goodreads

el taxi de maxi un cuento con la x castellano a p pdf dario - Mar 10 2023

web jun 29 2023 merely said the el taxi de maxi un cuento con la x castellano a p pdf is universally compatible with any devices to read treasure of the castilian or spanish language sebastian de covarrubias horozco 2019 mostacho moustache the beard of the upper lip sebastián de covarrubias longlisted for the pen poetry in

el taxi de maxi un cuento con la x castellano a p pdf - Jan 08 2023

web jun 28 2023 right here we have countless ebook el taxi de maxi un cuento con la x castellano a p pdf and collections to check out we additionally present variant types and with type of the books to browse the pleasing book fiction history novel scientific research as competently as various extra sorts of books are readily available here as

el taxi de maxi un cuento con la x castellano a p pdf - May 12 2023

web el taxi de maxi un cuento con la x castellano a p downloaded from confrencemeet com by guest marisol reid las aventuras de maxi el perro taxista scholastic inc the further adventures of maxi the dog who rides with jim in his taxi and becomes a hero when he chases and catches a thief maxi the hero dial books

el taxi de maxi un cuento con la x castellano a p göran - Jun 13 2023

web recognizing the pretentiousness ways to acquire this ebook el taxi de maxi un cuento con la x castellano a p is additionally useful you have remained in right site to start getting this info get the el taxi de maxi un cuento con la x castellano a p associate that we have enough money here and check out

[télécharger abc amber text converter gratuit clubic](#) - Aug 03 2022

web oct 4 2019 abc amber text converter est un puissant logiciel qui permet de convertir les fichiers au format pdf html chm rtf hlp txt ansi and unicode doc xls mcw wri wpd wk4 wps sam rft

abc amber text converter for windows filehippo - May 12 2023

web you can save time and money by converting your paper document format to a highly effective hypertext markup language html abc amber will automatically detect document format whether it s word pdf text or html it will then convert the document format to match the target language

abc amber text converter download abc amber hlp converter - Feb 26 2022

web abcs amber text converter free and safe download add amber text converter latest version convert documents to one of 30 style abc ambers text conv

abc amber text converter v5 07 türkçe full program İndir - Aug 15 2023

web abc amber text converter popüler bir belge metin dönüştürme programıdır bir çok formatı destekler pdf html chm rtf hlp txt ansi ve unicode doc xls mcw wri wpd wk4 wps sam belgeleri dönüştürmek için ödüllü güçlü toplu bir araçtır

[abc amber text converter download](#) - Dec 07 2022

web abc amber text converter konvertiert text in verschiedene formate die software unterstützt den import und export 30 verschiedener textarten darunter html rtf excel doc oder microsoft works nach dem start von abc amber text converter wählt man quell und zielformat aus

[abc amber text converter cnet download](#) - Jul 02 2022

web abc amber text converter free download abc amber nbu converter abc 3gp mp4 converter abc amber nokia converter and many more programs

[abc amber text converter 4 1 download free abctext exe abc amber](#) - Mar 30 2022

web abc golden text video version 4 1 abctext exe abc amber text converter is the award winning powerful single tool to umsetzen documents to pdf html

abc amber text converter download abc amber text converter - Sep 04 2022

web abc amber edit evangelist free plus safe drive abc white text converter latest version convert docs to one of 30 formats abcs amber text conv

abc amber text converter download powerful and easy to use - Mar 10 2023

web sep 8 2023 not only conversion to pdf is supported abc amber text converter is the award winning powerful batch tool to convert documents to pdf html chm rtf hlp txt ansi and unicode doc xls mcw wri wpd wk4 wps sam rft wsd and more it s easy as abc and powerful as amber

abc amber text converter free version download for pc - Apr 11 2023

web oct 26 2022 key features of conversion to pdf using abc amber text converter program include 40 128 bits pdf encryption advanced pdf security options page size and page orientation support resolution mode compression mode etc

abc yumpu - Dec 27 2021

web abc amber text converter en english deutsch français español portugués italiano român nederlands latina dansk svenska norsk magyar bahasa indonesia türkçe suomi latvian lithuanian česk

[abc amber text converter download](#) - Jan 08 2023

web download abc amber text converter convert text documents into more than 30 online and offline file formats on windows computers virus free

[abc amber text converter freedownloadmanager](#) - Jan 28 2022

web oct 26 2022 key features of conversion to pdf using abc amber text converter program include 40 128 bits pdf encryption advanced pdf security options page size and page orientation support resolution mode compression mode etc

abc amber text converter 4 1 download free abctext exe abc amber - Jun 01 2022

web abc amber text converter version 4 1 abctext exe abc amber text converter is the award winning powerful batch tool on convert documents to pdf html

abc amber text converter download - Jul 14 2023

web abc amber text converter is a slick software that needs less free space than the average program in the section software utilities it s a very popular program in many countries such as united states italy and canada its current version is

abc amber blackberry converter download abc amber text converter - Oct 05 2022

web abc emerald blackberry converter features one zone of progressed your for instance you can choose to generate contents with bookmarks for certain file types tweak pdf export settings and adjust the font style of output text files abc amber blackberry convertors full version blackberry forums at

abc amber lit converter for windows uptodown - Nov 06 2022

web mar 18 2008 latest version abc amber lit converter is an application that allows you to convert those files created using microsoft reader formatted as lit to any other format which will be more useful and compatible the program supports many output formats including pdf html rtf txt doc or pdb and can export the content to the clipboard

abc amber text converter descargar - Apr 30 2022

web abc amber text converter para windows versión de prueba en español v 4 12 1 9 31 estado de seguridad descargar para windows análisis softonic

abc amber text converter 4 1 download free abctext exe - Jun 13 2023

web sep 8 2023 abc amber text converter is the award winning powerful tool to convert documents to pdf html rtf txt ansi and unicode doc xls mcw wri wpd wk4 wps sam rft wsd and more it s easy like abc and powerful like amber

abc amber blackberry converter download download abc amber text - Feb 09 2023

web ac amber blackberry converter free and save download abc amber blackberry converter latest version convert blackberry data to a range of different

as pontoise cergy tt wikipedi - Aug 03 2022

web as pontoise cergy tt kısaca aspctt olarak da bilinir fransızca association sportive de pontoise cergy tennis de table fransa nın başkenti paris in pontoise semtinde yer alan bir masa tenisi ocağıdır Ülkenin en iyi takımlarından biridir ve fransa nın en üst ligi olan pro a da üç kez ikinci olmuştur 2009 2010 2013 ayrıca 2013 14 sezonunda

ceryg pontoise france 2023 best places to visit tripadvisor - Mar 10 2023

web cergy pontoise tourism tripadvisor has 16 203 reviews of cergy pontoise hotels attractions and restaurants making it your best cergy pontoise resource

campanile cergy pontoise pontoise fransa tripadvisor - Mar 30 2022

web campanile cergy pontoise pontoise tarafsız yorumları okuyun gerçek gezgin fotoğraflarına bakın tripadvisor ın interaktif haritasını kullanarak konuma ve yakındaki restoran ve gezilecek yer seçeneklerine göz atın konaklamanız için fiyatları karşılaştırın ve en iyi teklifi alın

cergy pontoise wikipedia - Aug 15 2023

web cergy pontoise french pronunciation sɛʁʒi pɔ twaz is a new town and an agglomeration community in france in the val d oise and yvelines departments northwest of paris on the river oise it owes its name to two of the communes that it

cergy wikipedia - Jul 14 2023

web it is located 27 8 km 17 3 mi from the centre of paris in the new town of cergy pontoise created in the 1960s of which it is the central and most populated commune

agglomération de cergy pontoise - Nov 06 2022

web notre alimentation demain le projet alimentaire territorial pat cergy pontoise vexin français a pour objectif d engager les territoires cergypontain et du vexin dans une transition agricole et alimentaire grand centre cœur d aggro cergy pontoise se réinvente

cergy pontoise seyahati 2023 tripadvisor - Apr 11 2023

web cergy pontoise seyahat tripadvisor mükemmel bir tatil için cergy pontoise val d oise gezilecek yerler restoranlar ve konaklama yerleri hakkında 15 889 yorum ve cergy pontoise rehberi sunuyor

cy cergy paris université design your life cergy pontoise - May 12 2023

web née de l union de l université de cergy pontoise ucp fondée en 1991 et de l ecole internationale des sciences du traitement de l information eisti cy cergy paris université intègre deux établissements composantes cy ileps et cy epss

elite prospects cergy pontoise - Apr 30 2022

web cergy pontoise ligue magnus hockey team page with roster stats transactions at eliteprospects com tickets awards ep shop ep rinkside

en İyi Şarküteri restoranı cergy pontoise tripadvisor - Jul 02 2022

web cergy pontoise val d oise bölgesindeki Şarküteri restoran tripadvisor seyahatseverlerinin cergy pontoise restoranları hakkındaki yorumuna bakın ve mutfağa fiyata yere ve diğer kriterlere göre arama yapın

cergy wikipédia - Feb 26 2022

web cergy s ɛ ʁ ʒ i est une commune française située dans le département du val d oise en région Île de france ses habitants sont appelés les cergyssois et ceux de la communauté d agglomération de cergy pontoise les cergy pontains la préfecture du val d oise et le conseil départemental sont installés sur le territoire de la commune bien

cergy pontoise fransa otel fiyatları en iyi otel fırsatları - Oct 05 2022

web cergy pontoise otel fiyatları cergy pontoise otelleri için yapılan 15 633 yorumu oku farklı sitelerden fiyatları karşılaştır ve en uygun otelde rezervasyon yap uçak biletleri

the 15 best things to do in cergy pontoise tripadvisor - Jun 13 2023

web dec 31 2022 things to do in cergy pontoise france see tripadvisor s 16 197 traveler reviews and photos of cergy pontoise tourist attractions find what to do today this weekend or in september we have reviews of the best places to see in cergy pontoise visit top rated must see attractions

cergy pontoise wikipédia - Feb 09 2023

web cergy pontoise est une ville nouvelle française construite à partir des années 1970 autour des communes de cergy et pontoise dans le nord ouest de la région Île de france le syndicat intercommunal créé pour la ville nouvelle a donné naissance à l actuelle communauté d agglomération de cergy pontoise

présentation cergy pontoise l agglomération - Jan 28 2022

web capitale administrative du val d oise cergy pontoise est une agglomération de 214 000 habitants située à 25 kilomètres de paris aux portes du parc naturel régional du vevin français

university of cergy pontoise world university rankings the - Sep 04 2022

web founded in 1991 the university of cergy pontoise ucp is a public teaching and research institute located in the small french town of cergy pontoise the town is part of the val d oise neighbourhood near paris meaning ucp is one of 17 national universities with premises residing within 30 km of paris city centre

10 en iyi cergy pontoise oteli 2023 1 100 tripadvisor - Jan 08 2023

web en iyi cergy pontoise otelleri tripadvisor da cergy pontoise fransa 27 otel 2 636 yorum 1 030 resim ve en iyi fiyatlar

les 10 meilleures choses à faire à cergy pontoise 2023 tripadvisor - Dec 07 2022

web les meilleures activités à cergy pontoise val d oise découvrez 16 207 avis de voyageurs et photos de 98 choses à faire à cergy pontoise sur tripadvisor

cergy pontoise amiens canli 22 8 2023 hokey flashscore - Dec 27 2021

web aug 22 2023 flashscore ile cergy pontoise amiens 22 8 2023 canlı live stream livescore h2h istatistiklerini en son sonuçları ve daha fazlasını takip edin

mercure cergy pontoise centre etstur - Jun 01 2022

web mercure cergy pontoise centre misafirlere cergy merkezinde cergy pontoise Üniversitesi ve piscine cergy ile 10 dakika yürüyüş mesafesinde konaklama olanağı sunuyor bu 4 yıldızlı otel la defense ile 18 2 mi 29 3 km ve paris la défense arena ile 19 8 mi 31 9 km mesafede