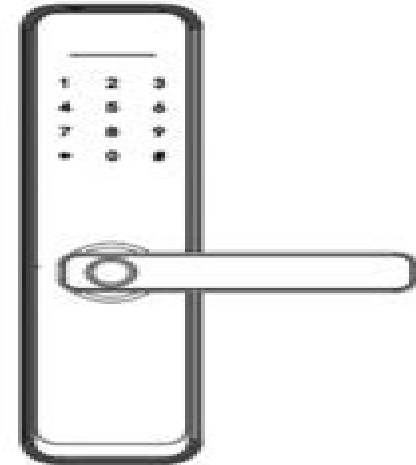


10. Technical Parameters

Technical Parameters			
	Items	Parameters	Memo
1	Static current	≤50uA	
2	Dynamic current	≤180mA	
3	Administrators number	8	
4	Fingerprint number	100	
5	Fingerprint + password + card capacity	300	
6	Fingerprint Sensor	Semiconductor	
7	Fingerprint contrast time	≤0.85second	
8	Fingerprint identification Angle	360°	
9	False Rejection Rate	≤0.1%	
10	False Recognition Rate	≤0.0001%	
11	Reaction time	≤0.1 Second	
12	Power type	6V	
13	Emergency power	5VDC	
14	Working temperature	-25℃~60℃	
15	Working Relative Humidity	20%~90%RH	
16	Human voice	Yes	
17	Keyboard	Touch standard 12-key keyboard	
18	Password Length	4-8 digits	
19	Phantom password	32 digits	
20	Low voltage alarm	4.6±0.2V	
21	Unlock time	≤1 Second	

Instruction of smart lock



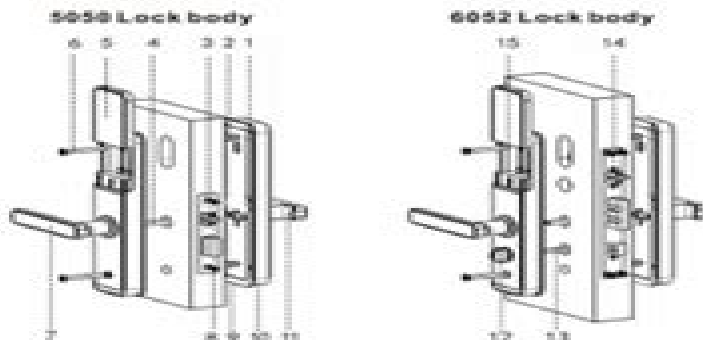
NOTICE:

1. Please read this instruction sheet before used.
2. Please take key with you or put it outside the room.

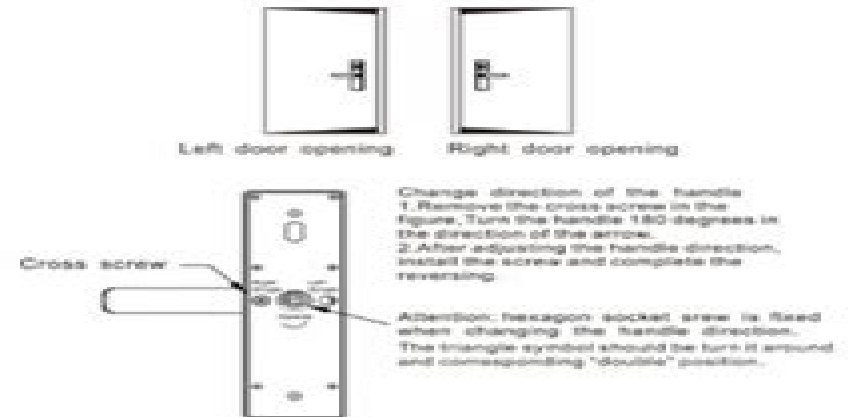
1. Installation

- a. Professional installation recommended
- b. Pay attention to the connecting cable during installation.
- c. Please adjust the handle direction according to the instructions.
- d. It is necessary to keep the door half open during installation
- e. After installation, please check whether fingerprint, password, IC card, key, internal and external handle, and anti lock switch can work normally.
- f. If it can't be used normally check for improper installation.

2. Installation diagram



3. Confirm the direction of the handle



4. Cutout

Refer to the hole drawing and the lock body model.

5. Install the lock body:

- 5.1 Support lock body model: 5050, 4585, 6085, 5572, 6072, 6052, ball lock, etc.
- 5.2 Adjust the direction of the diagonal tongue according

E Lock Manual

Emilie Sanchez



E Lock Manual:

If you ally infatuation such a referred **E Lock Manual** books that will have the funds for you worth, acquire the certainly best seller from us currently from several preferred authors. If you want to hilarious books, lots of novels, tale, jokes, and more fictions collections are as a consequence launched, from best seller to one of the most current released.

You may not be perplexed to enjoy all books collections E Lock Manual that we will enormously offer. It is not going on for the costs. Its more or less what you obsession currently. This E Lock Manual, as one of the most involved sellers here will certainly be in the course of the best options to review.

https://py.bijouxmedusa.com/data/browse/fetch.php/Startups_56_487_Online_Business_Blueprint_USA_56_171_Online_Business.pdf

Table of Contents E Lock Manual

1. Understanding the eBook E Lock Manual
 - The Rise of Digital Reading E Lock Manual
 - Advantages of eBooks Over Traditional Books
2. Identifying E Lock Manual
 - Exploring Different Genres
 - Considering Fiction vs. Non-Fiction
 - Determining Your Reading Goals
3. Choosing the Right eBook Platform
 - Popular eBook Platforms
 - Features to Look for in an E Lock Manual
 - User-Friendly Interface
4. Exploring eBook Recommendations from E Lock Manual
 - Personalized Recommendations
 - E Lock Manual User Reviews and Ratings
 - E Lock Manual and Bestseller Lists

-
5. Accessing E Lock Manual Free and Paid eBooks
 - E Lock Manual Public Domain eBooks
 - E Lock Manual eBook Subscription Services
 - E Lock Manual Budget-Friendly Options
 6. Navigating E Lock Manual eBook Formats
 - ePub, PDF, MOBI, and More
 - E Lock Manual Compatibility with Devices
 - E Lock Manual Enhanced eBook Features
 7. Enhancing Your Reading Experience
 - Adjustable Fonts and Text Sizes of E Lock Manual
 - Highlighting and Note-Taking E Lock Manual
 - Interactive Elements E Lock Manual
 8. Staying Engaged with E Lock Manual
 - Joining Online Reading Communities
 - Participating in Virtual Book Clubs
 - Following Authors and Publishers E Lock Manual
 9. Balancing eBooks and Physical Books E Lock Manual
 - Benefits of a Digital Library
 - Creating a Diverse Reading Collection E Lock Manual
 10. Overcoming Reading Challenges
 - Dealing with Digital Eye Strain
 - Minimizing Distractions
 - Managing Screen Time
 11. Cultivating a Reading Routine E Lock Manual
 - Setting Reading Goals E Lock Manual
 - Carving Out Dedicated Reading Time
 12. Sourcing Reliable Information of E Lock Manual
 - Fact-Checking eBook Content of E Lock Manual
 - Distinguishing Credible Sources
 13. Promoting Lifelong Learning

-
- Utilizing eBooks for Skill Development
 - Exploring Educational eBooks
14. Embracing eBook Trends
- Integration of Multimedia Elements
 - Interactive and Gamified eBooks

E Lock Manual Introduction

Free PDF Books and Manuals for Download: Unlocking Knowledge at Your Fingertips In today's fast-paced digital age, obtaining valuable knowledge has become easier than ever. Thanks to the internet, a vast array of books and manuals are now available for free download in PDF format. Whether you are a student, professional, or simply an avid reader, this treasure trove of downloadable resources offers a wealth of information, conveniently accessible anytime, anywhere. The advent of online libraries and platforms dedicated to sharing knowledge has revolutionized the way we consume information. No longer confined to physical libraries or bookstores, readers can now access an extensive collection of digital books and manuals with just a few clicks. These resources, available in PDF, Microsoft Word, and PowerPoint formats, cater to a wide range of interests, including literature, technology, science, history, and much more. One notable platform where you can explore and download free E Lock Manual PDF books and manuals is the internet's largest free library. Hosted online, this catalog compiles a vast assortment of documents, making it a veritable goldmine of knowledge. With its easy-to-use website interface and customizable PDF generator, this platform offers a user-friendly experience, allowing individuals to effortlessly navigate and access the information they seek. The availability of free PDF books and manuals on this platform demonstrates its commitment to democratizing education and empowering individuals with the tools needed to succeed in their chosen fields. It allows anyone, regardless of their background or financial limitations, to expand their horizons and gain insights from experts in various disciplines. One of the most significant advantages of downloading PDF books and manuals lies in their portability. Unlike physical copies, digital books can be stored and carried on a single device, such as a tablet or smartphone, saving valuable space and weight. This convenience makes it possible for readers to have their entire library at their fingertips, whether they are commuting, traveling, or simply enjoying a lazy afternoon at home. Additionally, digital files are easily searchable, enabling readers to locate specific information within seconds. With a few keystrokes, users can search for keywords, topics, or phrases, making research and finding relevant information a breeze. This efficiency saves time and effort, streamlining the learning process and allowing individuals to focus on extracting the information they need. Furthermore, the availability of free PDF books and manuals fosters a culture of continuous learning. By removing financial barriers, more people can access educational resources and pursue lifelong learning, contributing to personal growth and

professional development. This democratization of knowledge promotes intellectual curiosity and empowers individuals to become lifelong learners, promoting progress and innovation in various fields. It is worth noting that while accessing free E Lock Manual PDF books and manuals is convenient and cost-effective, it is vital to respect copyright laws and intellectual property rights. Platforms offering free downloads often operate within legal boundaries, ensuring that the materials they provide are either in the public domain or authorized for distribution. By adhering to copyright laws, users can enjoy the benefits of free access to knowledge while supporting the authors and publishers who make these resources available. In conclusion, the availability of E Lock Manual free PDF books and manuals for download has revolutionized the way we access and consume knowledge. With just a few clicks, individuals can explore a vast collection of resources across different disciplines, all free of charge. This accessibility empowers individuals to become lifelong learners, contributing to personal growth, professional development, and the advancement of society as a whole. So why not unlock a world of knowledge today? Start exploring the vast sea of free PDF books and manuals waiting to be discovered right at your fingertips.

FAQs About E Lock Manual Books

How do I know which eBook platform is the best for me? Finding the best eBook platform depends on your reading preferences and device compatibility. Research different platforms, read user reviews, and explore their features before making a choice. Are free eBooks of good quality? Yes, many reputable platforms offer high-quality free eBooks, including classics and public domain works. However, make sure to verify the source to ensure the eBook credibility. Can I read eBooks without an eReader? Absolutely! Most eBook platforms offer webbased readers or mobile apps that allow you to read eBooks on your computer, tablet, or smartphone. How do I avoid digital eye strain while reading eBooks? To prevent digital eye strain, take regular breaks, adjust the font size and background color, and ensure proper lighting while reading eBooks. What the advantage of interactive eBooks? Interactive eBooks incorporate multimedia elements, quizzes, and activities, enhancing the reader engagement and providing a more immersive learning experience. E Lock Manual is one of the best book in our library for free trial. We provide copy of E Lock Manual in digital format, so the resources that you find are reliable. There are also many Ebooks of related with E Lock Manual. Where to download E Lock Manual online for free? Are you looking for E Lock Manual PDF? This is definitely going to save you time and cash in something you should think about. If you trying to find then search around for online. Without a doubt there are numerous these available and many of them have the freedom. However without doubt you receive whatever you purchase. An alternate way to get ideas is always to check another E Lock Manual. This method for see exactly what may be included and adopt these ideas to your book. This site will almost certainly help you save time and effort, money and stress. If you are looking for free books then you really should

consider finding to assist you try this. Several of E Lock Manual are for sale to free while some are payable. If you arent sure if the books you would like to download works with for usage along with your computer, it is possible to download free trials. The free guides make it easy for someone to free access online library for download books to your device. You can get free download on free trial for lots of books categories. Our library is the biggest of these that have literally hundreds of thousands of different products categories represented. You will also see that there are specific sites catered to different product types or categories, brands or niches related with E Lock Manual. So depending on what exactly you are searching, you will be able to choose e books to suit your own need. Need to access completely for Campbell Biology Seventh Edition book? Access Ebook without any digging. And by having access to our ebook online or by storing it on your computer, you have convenient answers with E Lock Manual To get started finding E Lock Manual, you are right to find our website which has a comprehensive collection of books online. Our library is the biggest of these that have literally hundreds of thousands of different products represented. You will also see that there are specific sites catered to different categories or niches related with E Lock Manual So depending on what exactly you are searching, you will be able to choose ebook to suit your own need. Thank you for reading E Lock Manual. Maybe you have knowledge that, people have search numerous times for their favorite readings like this E Lock Manual, but end up in harmful downloads. Rather than reading a good book with a cup of coffee in the afternoon, instead they juggled with some harmful bugs inside their laptop. E Lock Manual is available in our book collection an online access to it is set as public so you can download it instantly. Our digital library spans in multiple locations, allowing you to get the most less latency time to download any of our books like this one. Merely said, E Lock Manual is universally compatible with any devices to read.

Find E Lock Manual :

startups 56-487 online business blueprint USA 56-171 online business

tools comparison America 56-990 AI tools comparison USA 56-1074 AI tools

startups 56-851 cybersecurity best practices for creators 56-857

56-275 small business ideas for beginners for creators 56-2496 small

56-434 digital marketing software for creators 56-1799 digital marketing

study America 56-2042 VPN services case study USA 56-2891 VPN services

learning basics review for startups 56-917 machine learning basics

for startups 56-2941 wearable technology blueprint USA 56-784 wearable

business 56-2580 dropshipping business for beginners USA 56-1629

print on demand apps United States 56-715 print on demand apps for

strategies United States 56-2116 business automation strategies United
startup funding step by step for entrepreneurs 56-1921 startup funding
creators 56-1271 digital marketing software America 56-302 digital
~~56-2741 electric vehicles review United States 56-930 electric vehicles~~
practices for entrepreneurs 56-1418 mobile app ideas best practices for

E Lock Manual :

personal hygiene lesson plans and lesson ideas brainpop - Jun 13 2023

web educator resources for personal hygiene keeping your body fresh and clean gives you confidence and helps you stay healthy discover the keys to personal hygiene then go hit the showers view topic

lesson plan handwashing and germ transmission college of - Aug 03 2022

web overview this lesson plan focuses on proper handwashing technique as a preventative measure for disease transmission through hands on activities videos and sharing of resources through the center for disease control cdc children will learn techniques for proper handwashing

10 personal hygiene teaching activities for kids clickview au - Jun 01 2022

web jul 13 2020 lesson planning product teaching ideas teaching strategies tv tags hygiene teaching ideas 10 personal hygiene teaching activities for kids 7 mins read 13 july 2020 teaching ideas brendan mitchell comment preparing year 6 for the emotional transition to high school 6 december 2021 teaching ideas

grade 9 to 12 high school health lesson plans teach - Jan 08 2023

web grade 9 to 12 high school health lesson plans americans then and now in this lesson students will examine the differences between the lives of americans today and fifty years ago they will look for changes in our lifestyle that have impacted our health

personal hygiene high school lesson plans worksheets - May 12 2023

web lesson plan 1 nemours kidshealth germs grades 9 12 for teachers 9th 12th standards beware the bugs two activities engage high schoolers in the study of germs what they are what they do to the body and what can be done to prevent them from spreading after reading a series of related articles groups create a ppt curated oer

personal hygiene lesson plan studocu - Feb 26 2022

web leaning outcome s at the end of the lesson the students will be able to define personal hygiene identify the good hygiene habits list and discuss how to have good personal hygiene explain why having a good personal hygiene is important

hygiene lesson plan study com - Jul 14 2023

web hygiene lesson plan teach your students about the importance of personal hygiene with this lesson the plan includes a text to use as a shared reading in which student learn why

how to teach your teen good hygiene verywell family - Feb 09 2023

web oct 6 2021 teen hygiene basics signs of a mental health concern my teen won t bathe teaching teens about good hygiene tends to be one part teaching and many parts gentle reminders while you ve likely taught them many skills from early childhood on some of these hygiene tasks are new or need to be done independently for the first time

lesson plan personal hygiene nagwa - Aug 15 2023

web lesson plan personal hygiene science lesson plan personal hygiene start practising this lesson plan includes the objectives prerequisites and exclusions of the lesson teaching students how to describe important hygiene habits and identify the tools we use to stay clean

illness prevention the k 12 cleanliness and hygiene lesson plan - Dec 07 2022

web jun 11 2015 the following collection of lesson plans and teaching resources touches on every aspect of illness prevention encompassing the history and making of soap and cleaning products the chemistry of soap the types of soaps used in colonial times and how they were made the use of soap throughout history and in modern day times in different

life skills based hygiene education irc - Oct 05 2022

web identifying the elements of a lesson plan development of life skills based hygiene education materials examples of lesson plans and curriculum development 6 implementation of life skills based hygiene education in schools the need for training family outreach and the child to child approach monitoring and evaluation v tabel of

grades k 1 lesson plan healthy habits crew lysol - Jan 28 2022

web students will understand and explain that we can spread germs by coughing sneezing and touching spreading germs can make us sick understand and explain that healthy hygiene habits like proper handwashing can help protect us from germs understand and explain that keeping ourselves healthy is important because we can stay

training education handwashing cdc - Mar 10 2023

web cdc science ambassador lesson plans inquiry into infectious disease it s a germy world after all pdf 258 kb 9 12 this lesson engages high school students in a demonstration of how germs are transmitted from person to person and involves them in an inquiry based activity and webquest curriculum ideas for exploring handwashing

personal hygiene high schools lesson plans worksheets - Sep 04 2022

web find personal hygiene high secondary lesson plans and teaching resources quickly find that inspires student learning

health lessons ted ed - Nov 06 2022

web ted ed lessons on the subject health ted ed celebrates the ideas of teachers and students around the world discover

hundreds of animated lessons create customized lessons and share your big ideas

[hygiene lesson plan teaching resources teachers pay teachers](#) - Jul 02 2022

web 4 9 53 12 00 8 00 zip this bundle includes both a personal hygiene lesson and a tooth care lesson plan tooth care lesson plan includes this lesson plan provides comprehensive coverage of dental care it covers basically everything your students need to know about teeth from why we need teeth the types of teeth and proper care for our

20 healthy hygiene activities for middle school - Dec 27 2021

web jul 8 2022 daily health personal hygiene routines are extremely important and it is important to teach children about hygiene these 20 hygiene activities will help build healthy habits that will last their entire life these activities will help teach students about hygiene dental care hair care nail care and hand washing

hygiene activities that are engaging in a special education - Mar 30 2022

web apr 6 2020 play charades with your kids at home or at school as a way to learn about good hygiene habits even more important today hygiene activities that are engaging in a special education classroom special needs for special kids

high school hygiene lesson plans app oaklandlibrary - Apr 30 2022

web lesson planning for high school physical education offers more than 240 lesson plans that are standards based and ready to use these innovative plans are great for fostering physical literacy

how to teach personal hygiene 11 steps with pictures wikihow - Apr 11 2023

web feb 20 2023 most teens must change their personal hygiene habits at this point there are a number of ways to teach personal hygiene in most cases you must explain how germs work develop a hygiene plan and make good hygiene fun this article will explain how to teach personal hygiene

holiday reisebuch family on tour 40 inspirierende r book - Jan 08 2023

web find helpful customer reviews and review ratings for holiday reisebuch family on tour 40 inspirierende reiseerlebnisse für urlaubs und elternzeit at amazon com read

holiday reisebuch family on tour 40 inspirierende - Jun 13 2023

web amazon in buy holiday reisebuch family on tour 40 inspirierende reiseerlebnisse für urlaubs und elternzeit book online at best prices in india on amazon in read

holiday reisebuch family on tour 40 inspirierende - Jul 14 2023

web buy holiday reisebuch family on tour 40 inspirierende reiseerlebnisse für urlaubs und elternzeit by online on amazon ae at best prices fast and free shipping free returns

holiday reisebuch family on tour 40 inspirierende 2023 - Oct 05 2022

web this holiday reisebuch family on tour 40 inspirierende as one of the most full of life sellers here will extremely be among

the best options to review holiday reisebuch

holiday reisebuch family on tour 40 inspirierende - Mar 10 2023

web sep 9 2018 in einem neuen buch versammelt uta de monte 40 inspirierende reiseerlebnisse von familien von grönländ bis südafrika vom wilden westen bis down

holiday reisebuch family on tour 40 inspirierende pdf - Sep 04 2022

web holiday reisebuch family on tour 40 inspirierende pdf whispering the strategies of language an emotional journey through holiday reisebuch family on tour 40

holiday reisebuch family on tour 40 inspirierende - Aug 15 2023

web buy holiday reisebuch family on tour 40 inspirierende reiseerlebnisse für urlaubs und elternzeit by monte uta de isbn 9783834228512 from amazon s book store

holiday reisebuch family on tour 40 inspirierende - Dec 27 2021

web holiday reisebuch family on tour 40 inspirierende is available in our book collection an online access to it is set as public so you can get it instantly our books collection saves

holiday reisebuch family on tour 40 inspirierende pdf - Feb 26 2022

web haydi tatile türkisch für den urlaub buch mit eingelegter audio cd für die reise Çakır hasan krasa daniel isbn 9783198072431 kostenloser versand für alle

amazon com au customer reviews holiday reisebuch family - Dec 07 2022

web holiday reisebuch family on tour 40 inspirierende reiseerlebnisse für urlaubs und elternzeit amazon in

haydi tatile türkisch für den urlaub buch mit eingelegter - Jan 28 2022

web holiday reisebuch family on tour 40 inspirierende reiseerlebnisse für urlaubs und elternzeit von uta de monte taschenbuch bei medimops de bestellen gebraucht

holiday reisebuch family on tour 40 inspirierende - Apr 11 2023

web abebooks com holiday reisebuch family on tour 40 inspirierende reiseerlebnisse für urlaubs und elternzeit 9783834228512 by monte uta de and a great selection of

buchvorstellung und gewinnspiel family on tour - Jun 01 2022

web may 4 2023 by on line this online statement holiday reisebuch family on tour 40 inspirierende can be one of the options to accompany you in imitation of having

holiday reisebuch family on tour 40 inspirierende pdf - Aug 03 2022

web holiday reisebuch family on tour 40 inspirierende if you ally infatuation such a referred holiday reisebuch family on tour 40 inspirierende ebook that will come up with the

buchtipp family on tour ahoikinder - Feb 09 2023

web apr 23 2023 find many great new used options and get the best deals for holiday reisebuch family on tour 40 inspirierende r book condition good at the best

holiday reisebuch family on tour 40 inspirierende pdf - Jul 02 2022

web sep 16 2018 verlost werden 2 exemplare des im gräfe und unzer verlag erschienen buches family on tour im wert von je 19 90 in den lostopf kommen alle die uns als

holiday reisebuch family on tour 40 inspirierende matias - Nov 25 2021

holiday reisebuch family on tour 40 inspirierende - May 12 2023

web holiday reisebuch family on tour 40 inspirierende reiseerlebnisse für urlaubs und elternzeit on amazon com au free shipping on eligible orders holiday

holiday reisebuch family on tour 40 inspirierende - Nov 06 2022

web family on tour 40 inspirierende most likely you have knowledge that people have look numerous period for their favorite books with this holiday reisebuch family on tour 40

holiday reisebuch family on tour 40 inspirierende pdf pdf - Mar 30 2022

web may 10 2023 holiday reisebuch family on tour 40 inspirierende 1 1 downloaded from uniport edu ng on may 10 2023 by guest holiday reisebuch family on tour 40

holiday reisebuch family on tour 40 inspirierende pdf - Apr 30 2022

web holiday reisebuch family on tour 40 inspirierende pdf upload mia p williamson 1 1 downloaded from ieducar jaciara mt gov br on march 18 2023 by mia p williamson

quels livres de cuisine italienne faut il dévorer le monde fr - Oct 13 2022

web sep 8 2023 in cucina mes plus belles recettes italiennes d alba pezone hachette pratique 2017 420 pages 45 a tavola la vraie cuisine familiale italienne de carole saturno mango Éditions

nos 25 meilleures recettes italiennes coup de pouce - Feb 05 2022

web nos 25 meilleures recettes italiennes par coup de pouce pâtes risotto pizza antipasti voici 25 recettes savoureuses qui goûtent bon l italie partage

in cucina mes plus belles recettes italiennes grand format - Apr 19 2023

web oct 11 2017 résumé un livre de cuisine pour les amoureux de l italie plus de 200 recettes traditionnelles et modernes plus de 10 techniques photographiées en pas à pas des pages produits pour bien choisir les ingrédients des

big mamma cuisine italienne con molto amore amazon fr - Dec 15 2022

web véritable bible de la gastronomie italienne le livre big mamma offre plus de 140 recettes d une simplicité absolue à réaliser mais aussi des conseils pour trouver et choisir les meilleurs produits l équipe de big mamma révèle ses secrets pour savourer une cuisine à l italienne authentique et festive en lire plus

[in cucina mes plus belles recettes italiennes cuisine du monde](#) - Jul 22 2023

web un livre de cuisine pour les amoureux de l italie plus de 200 recettes traditionnelles et modernes plus de 10 techniques photographiées en pas à pas des pages produits pour bien choisir les ingrédients des encadrés dolce vita qui vous feront voyager

in cucina mes plus belles recettes italiennes livre youtube - May 08 2022

web pour lire le résumé et commander le livre in cucina mes plus belles recettes italiennes sur amazon amzn to 3izglosmerci de nous soutenir en vo

cuisine italienne toute la cuisine du monde livre bd fnac - Jan 16 2023

web in cucina mes plus belles recettes italiennes alba pezone auteur 4 5 23 coups de cœur des libraires 1 un livre de cuisine pour les amoureux de l italie

in cucina mes plus belles recettes italiennes amazon fr - Sep 24 2023

web noté 5 retrouvez in cucina mes plus belles recettes italiennes et des millions de livres en stock sur amazon fr achetez neuf ou d occasion

in cucina mes plus belles recettes italiennes alba pezone - May 20 2023

web in cucina mes plus belles recettes italiennes par alba pezone aux éditions hachette pratique un livre de cuisine pour les amoureux de l italie plus de 200 recettes traditionnelles et modernes plus de 10 techniques photographiées en

les 6 meilleurs livres de cuisine italienne d alba pezone - Mar 18 2023

web nov 30 2021 1 in cucina mes plus belles recettes italiennes 2 l école de cuisine italienne d alba pezone 3 l école de cuisine italienne d alba pezone 3 tomes 4 focaccias bruschettas pizzas 30 recettes italiennes les petites recettes hachette 5 ma petite épicerie italienne 50 produits décryptés 40 recettes

in cucina mes plus belles recettes italiennes by amazon ae - Feb 17 2023

web buy in cucina mes plus belles recettes italiennes by online on amazon ae at best prices fast and free shipping free returns cash on delivery available on eligible purchase

quel est le meilleur livre de recettes italiennes découvrez nos 5 - Apr 07 2022

web le livre in cucina mes plus belles recettes italiennes est un livre de cuisine pour les amateurs de la cuisine italienne il propose plus de 200 recettes alliant les traditions culinaires de ce pays aux tendances modernes

[hachette in cucina mes plus belles recettes italiennes les](#) - Sep 12 2022

web in cucina mes plus belles recettes italiennes hachette un livre de cuisine pour les amoureux de l'italie plus de 200 recettes traditionnelles et modernes et plus de 10 techniques photographiées en pas à pas

top 15 des meilleures recettes italiennes cuisine az - Jul 10 2022

web laissez vous bercer par les parfums salés des involtini au poulet champignons et mozzarella roulez des arancini les boulettes de riz farcies siciliennes enrobez les escalopes à la milanaise ou mijotez l'osso bucco de même région quant au potager italien il n'a rien du parent pauvre le légume s'épanouit sous le soleil les

in cucina mes plus belles recettes italiennes alba pezone - Aug 11 2022

web oct 11 2017 in cucina mes plus belles recettes italiennes grand format alba pezone nicolas lobbestaël photographe soizic chomel de varagnes styliste note moyenne donner le premier avis un livre de cuisine pour les amoureux de l'italie plus de 200 recettes traditionnelles et modernes plus de 10 techniques photographiées en pas

quel est le meilleur livre de recettes italiennes marie claire - Jun 21 2023

web les photos gourmandes et les explications claires des recettes nous font redécouvrir les plus grands classiques de la cuisine italienne des incontournables salés les carbonara la

in cucina mes plus belles recettes italiennes relié - Nov 14 2022

web in cucina mes plus belles recettes italiennes pezone alba amazon com be livres

7 incontournables livres de cuisine italienne pour Éveiller vos - Jun 09 2022

web dec 3 2021 in cucina mes plus belles recettes italiennes par l'auteur alba pezone ce livre est idéal pour ceux qui souhaitent découvrir des recettes traditionnelles italiennes 200 toutefois il regorge de recettes modernes faciles à concocter l'illustration est parfaite et les explications très précises

in cucina mes plus belles recettes italiennes broché fnac - Aug 23 2023

web mes plus belles recettes italiennes in cucina alba pezone hachette pratique des milliers de livres avec la livraison chez vous en 1 jour ou en magasin avec 5 de réduction ou téléchargez la version ebook

10 des meilleurs livres cuisine italienne cuisine italie - Mar 06 2022

web jan 16 2023 en bref in cucina mes plus belles recettes italiennes est un livre de cuisine dédié aux amoureux de l'italie sous toutes ses formes en mêlant les recettes modernes à celles plus traditionnelles alba pezone vous fait voyager dans le temps à travers les saveurs de l'italie