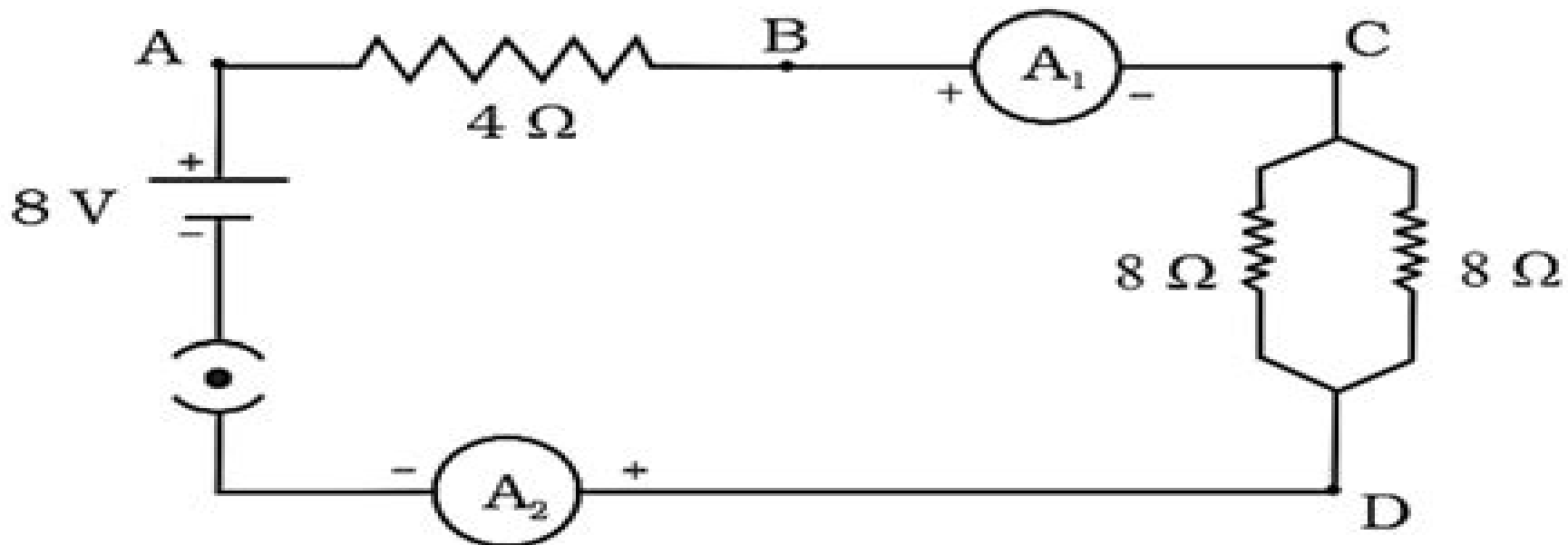


## Extra Question

Find out the following in the electric circuit given in Figure 12.9

- Effective resistance of two  $8\ \Omega$  resistors in the combination
- Current flowing through  $4\ \Omega$  resistor
- Potential difference across  $4\ \Omega$  resistance
- Power dissipated in  $4\ \Omega$  resistor
- Difference in ammeter readings, if any.



# Electrical Circuits Questions And Answers

**AW Chickering**



## **Electrical Circuits Questions And Answers:**

Electrical Circuits Analysis Questions and Answers PDF Arshad Iqbal, The Electrical Circuits Analysis Quiz Questions and Answers PDF Circuits Analysis Competitive Exam Questions Chapter 1 30 Practice Tests Class 8 12 Electronics Textbook Questions for Beginners includes revision guide for problem solving with hundreds of solved questions Electrical Circuits Analysis Questions and Answers PDF book covers basic concepts analytical and practical assessment tests Electrical Circuits Analysis Quiz PDF book helps to practice test questions from exam prep notes The Electrical Circuits Analysis Quiz Questions and Answers PDF e Book includes revision guide with verbal quantitative and analytical past papers solved tests Electrical Circuits Analysis Questions and Answers PDF Free download chapter 1 a book covers solved common questions and answers on chapters Applications of Laplace transform ac power ac power analysis amplifier and operational amplifier circuits analysis method applications of Laplace transform basic concepts basic laws capacitors and inductors circuit concepts circuit laws circuit theorems filters and resonance first order circuits Fourier series Fourier transform frequency response higher order circuits and complex frequency introduction to electric circuits introduction to Laplace transform magnetically coupled circuits methods of analysis mutual inductance and transformers operational amplifiers polyphase circuits second order circuits sinusoidal steady state analysis sinusoids and phasors three phase circuits two port networks waveform and signals tests for college and university revision guide Electronics Interview Questions and Answers PDF Download free eBook s sample covers beginner s solved questions textbook s study notes to practice online tests The Electrical Circuits Analysis Interview Questions Chapter 1 30 PDF book includes high school question papers to review practice tests for exams Electrical Circuits Analysis Practice Tests a textbook s revision guide with chapters tests for NEET Jobs Entry Level competitive exam Electrical Circuits Analysis Questions Bank Chapter 1 30 PDF book covers problem solving exam tests from electronics engineering textbook and practical eBook chapter wise as Chapter 1 AC Power Questions Chapter 2 AC Power Analysis Questions Chapter 3 Amplifier and Operational Amplifier Circuits Questions Chapter 4 Analysis Method Questions Chapter 5 Applications of Laplace Transform Questions Chapter 6 Basic Concepts Questions Chapter 7 Basic laws Questions Chapter 8 Capacitors and Inductors Questions Chapter 9 Circuit Concepts Questions Chapter 10 Circuit Laws Questions Chapter 11 Circuit Theorems Questions Chapter 12 Filters and Resonance Questions Chapter 13 First Order Circuits Questions Chapter 14 Fourier Series Questions Chapter 15 Fourier Transform Questions Chapter 16 Frequency Response Questions Chapter 17 Higher Order Circuits and Complex Frequency Questions Chapter 18 Introduction to Electric Circuits Questions Chapter 19 Introduction to Laplace Transform Questions Chapter 20 Magnetically Coupled Circuits Questions Chapter 21 Methods of Analysis Questions Chapter 22 Mutual Inductance and Transformers Questions Chapter 23 Operational Amplifiers Questions Chapter 24 Polyphase Circuits Questions Chapter 25 Second Order Circuits Questions Chapter 26 Sinusoidal Steady State Analysis Questions Chapter 27 Sinusoids and Phasors Questions Chapter 28 Three Phase

circuits Questions Chapter 29 Two Port Networks Questions Chapter 30 Waveform and Signals Questions The AC Power Quiz Questions PDF e Book Chapter 1 interview questions and answers on Apparent power and power factor applications average or real power complex power complex power apparent power and power triangle effective or RMS value exchange of energy between inductor and capacitor instantaneous and average power maximum power transfer power factor correction power factor improvement power in sinusoidal steady state power in time domain and reactive power The AC Power Analysis Quiz Questions PDF e Book Chapter 2 interview questions and answers on Apparent power and power factor applications complex power effective or RMS value instantaneous and average power and power factor correction The Amplifier and Operational Amplifier Circuits Quiz Questions PDF e Book Chapter 3 interview questions and answers on Amplifiers introduction analog computers comparators differential and difference amplifier integrator and differentiator circuits inverting circuits low pass filters non inverting circuits operational amplifiers summing circuits and voltage follower The Analysis Method Quiz Questions PDF e Book Chapter 4 interview questions and answers on Branch current method maximum power transfer theorem mesh current method Millman s theorem node voltage method Norton s theorem superposition theorem and Thevenin s theorem The Applications of Laplace Transform Quiz Questions PDF e Book Chapter 5 interview questions and answers on Circuit analysis introduction network stability network synthesis and state variables The Basic Concepts Quiz Questions PDF e Book Chapter 6 interview questions and answers on Applications charge and current circuit elements power and energy system of units and voltage The Basic Laws Quiz Questions PDF e Book Chapter 7 interview questions and answers on Applications Kirchhoff s laws nodes branches and loops Ohm s law series resistors and voltage division The Capacitors and Inductors Quiz Questions PDF e Book Chapter 8 interview questions and answers on capacitors differentiator inductors integrator and resistivity The Circuit Concepts Quiz Questions PDF e Book Chapter 9 interview questions and answers on Capacitance inductance non linear resistors passive and active elements resistance sign conventions and voltage current relations The Circuit Laws Quiz Questions PDF e Book Chapter 10 interview questions and answers on Introduction to circuit laws Kirchhoff s current law and Kirchhoff s voltage law The Circuit Theorems Quiz Questions PDF e Book Chapter 11 interview questions and answers on Kirchhoff s law linearity property maximum power transfer Norton s theorem resistance measurement source transformation superposition and thevenin s theorem The Filters and Resonance Quiz Questions PDF e Book Chapter 12 interview questions and answers on Band pass filter and resonance frequency response half power frequencies high pass and low pass networks ideal and practical filters natural frequency and damping ratio passive and active filters The First Order Circuits Quiz Questions PDF e Book Chapter 13 interview questions and answers on Applications capacitor discharge in a resistor establishing a DC voltage across a capacitor introduction singularity functions source free RL circuit source free RC circuit source free RL circuit step and impulse responses in RC circuits step response of an RC circuit step response of an RL circuit transient analysis with PSPICE and transitions at switching time The Fourier

Series Quiz Questions PDF e Book Chapter 14 interview questions and answers on Applications average power and RMS values symmetry considerations and trigonometric Fourier series The Fourier transform Quiz Questions PDF e Book Chapter 15 interview questions and answers on applications The Frequency Response Quiz Questions PDF e Book Chapter 16 interview questions and answers on Active filters applications bode plots decibel scale introduction passive filters scaling series resonance and transfer function The Higher Order Circuits and Complex Frequency Quiz Questions PDF e Book Chapter 17 interview questions and answers on Complex frequency generalized impedance in s domain parallel RLC circuit and series RLC circuit The Introduction to Electric Circuits Quiz Questions PDF e Book Chapter 18 interview questions and answers on Constant and variable function electric charge and current electric potential electric quantities and SI units energy and electrical power force work and power The Introduction to Laplace Transform Quiz Questions PDF e Book Chapter 19 interview questions and answers on Convolution integral The Magnetically Coupled Circuits Quiz Questions PDF e Book Chapter 20 interview questions and answers on Energy in coupled circuit ideal autotransformers ideal transformers linear transformers and mutual inductance The Methods of Analysis Quiz Questions PDF e Book Chapter 21 interview questions and answers on Applications circuit analysis with PSPICE mesh analysis mesh analysis with current sources nodal analysis nodal and mesh analysis by inception The Mutual Inductance and Transformers Quiz Questions PDF e Book Chapter 22 interview questions and answers on Analysis of coupling coil auto transformer conductivity coupled equivalent circuits coupling coefficient dot rule energy in a pair of coupled coils ideal transformer linear transformer and mutual inductance The Operational Amplifiers Quiz Questions PDF e Book Chapter 23 interview questions and answers on Cascaded op amp circuits difference amplifier ideal op amp instrumentation amplifier introduction inverting amplifier noninverting amplifier operational amplifiers and summing amplifier The Polyphaser Circuits Quiz Questions PDF e Book Chapter 24 interview questions and answers on Balanced delta connected load balanced wye connected load equivalent y and delta connections phasor voltages two wattmeter method three phase power three phase systems two phase systems unbalanced delta connected load unbalanced y connected load wye and delta systems The Second Order Circuits Quiz Questions PDF e Book Chapter 25 interview questions and answers on Second order op amp circuits applications duality introduction and source free series RLC circuit The Sinusoidal Steady State Analysis Quiz Questions PDF e Book Chapter 26 interview questions and answers on Element responses impedance and admittance mesh analysis nodal analysis op amp ac circuits oscillators phasors voltage and current division in frequency domain The Sinusoids and Phasors Quiz Questions PDF e Book Chapter 27 interview questions and answers on Applications impedance and admittance impedance combinations introduction phasor relationships for circuit elements phasors and sinusoids The Three Phase Circuits Quiz Questions PDF e Book Chapter 28 interview questions and answers on Applications balanced delta delta connection balanced three phase voltages balanced wye delta connection balanced wye wye connection power in balanced system and unbalanced three phase system The Two

Port Networks Quiz Questions PDF e Book Chapter 29 interview questions and answers on Admittance parameters g parameters h parameters hybrid parameters impedance parameters interconnection of networks interconnection of two port networks introduction pi equivalent t parameters terminals and ports transmission parameters two port network y parameters and z parameters The Waveform and Signals Quiz Questions PDF e Book Chapter 30 interview questions and answers on Average and effective RMS values combination of periodic functions exponential function non periodic functions periodic functions random signals sinusoidal functions time shift and phase shift trigonometric identities unit impulse function and unit step function

*Electrical Circuit Analysis MCQ (Multiple Choice Questions)* Arshad Iqbal, The Electrical Circuit Analysis Multiple Choice Questions MCQ Quiz with Answers PDF Electrical Circuit Analysis MCQ PDF Download Quiz Questions Chapter 1 30 Practice Tests with Answer Key Electronics Questions Bank MCQs Notes includes revision guide for problem solving with hundreds of solved MCQs Electrical Circuit Analysis MCQ with Answers PDF book covers basic concepts analytical and practical assessment tests Electrical Circuit Analysis MCQ PDF book helps to practice test questions from exam prep notes The Electrical Circuit Analysis MCQs with Answers PDF eBook includes revision guide with verbal quantitative and analytical past papers solved MCQs Electrical Circuit Analysis Multiple Choice Questions and Answers MCQs PDF Free download chapter 1 a book covers solved quiz questions and answers on chapters Applications of Laplace transform ac power ac power analysis amplifier and operational amplifier circuits analysis method applications of Laplace transform basic concepts basic laws capacitors and inductors circuit concepts circuit laws circuit theorems filters and resonance first order circuits Fourier series Fourier transform frequency response higher order circuits and complex frequency introduction to electric circuits introduction to Laplace transform magnetically coupled circuits methods of analysis mutual inductance and transformers operational amplifiers polyphase circuits second order circuits sinusoidal steady state analysis sinusoids and phasors three phase circuits two port networks waveform and signals tests for college and university revision guide Electrical Circuit Analysis Quiz Questions and Answers PDF free download eBook s sample covers beginner s solved questions textbook s study notes to practice online tests The book Electrical Circuit Analysis MCQs Chapter 1 30 PDF includes high school question papers to review practice tests for exams Electrical Circuit Analysis Multiple Choice Questions MCQ with Answers PDF digital edition eBook a study guide with textbook chapters tests for NEET Jobs Entry Level competitive exam Electrical Circuit Analysis Mock Tests Chapter 1 30 eBook covers problem solving exam tests from electronics engineering textbook and practical eBook chapter wise as Chapter 1 AC Power MCQ Chapter 2 AC Power Analysis MCQ Chapter 3 Amplifier and Operational Amplifier Circuits MCQ Chapter 4 Analysis Method MCQ Chapter 5 Applications of Laplace Transform MCQ Chapter 6 Basic Concepts MCQ Chapter 7 Basic laws MCQ Chapter 8 Capacitors and Inductors MCQ Chapter 9 Circuit Concepts MCQ Chapter 10 Circuit Laws MCQ Chapter 11 Circuit Theorems MCQ Chapter 12 Filters and Resonance MCQ Chapter 13 First Order Circuits MCQ Chapter 14 Fourier Series MCQ Chapter 15 Fourier

Transform MCQ Chapter 16 Frequency Response MCQ Chapter 17 Higher Order Circuits and Complex Frequency MCQ Chapter 18 Introduction to Electric Circuits MCQ Chapter 19 Introduction to Laplace Transform MCQ Chapter 20 Magnetically Coupled Circuits MCQ Chapter 21 Methods of Analysis MCQ Chapter 22 Mutual Inductance and Transformers MCQ Chapter 23 Operational Amplifiers MCQ Chapter 24 Polyphase Circuits MCQ Chapter 25 Second Order Circuits MCQ Chapter 26 Sinusoidal Steady State Analysis MCQ Chapter 27 Sinusoids and Phasors MCQ Chapter 28 Three Phase circuits MCQ Chapter 29 Two Port Networks MCQ Chapter 30 Waveform and Signals MCQ The AC Power MCQ PDF e Book Chapter 1 practice test to solve MCQ questions on Apparent power and power factor applications average or real power complex power complex power apparent power and power triangle effective or RMS value exchange of energy between inductor and capacitor instantaneous and average power maximum power transfer power factor correction power factor improvement power in sinusoidal steady state power in time domain and reactive power The AC Power Analysis MCQ PDF e Book Chapter 2 practice test to solve MCQ questions on Apparent power and power factor applications complex power effective or RMS value instantaneous and average power and power factor correction The Amplifier and Operational Amplifier Circuits MCQ PDF e Book Chapter 3 practice test to solve MCQ questions on Amplifiers introduction analog computers comparators differential and difference amplifier integrator and differentiator circuits inverting circuits low pass filters non inverting circuits operational amplifiers summing circuits and voltage follower The Analysis Method MCQ PDF e Book Chapter 4 practice test to solve MCQ questions on Branch current method maximum power transfer theorem mesh current method Millman s theorem node voltage method Norton s theorem superposition theorem and Thevenin s theorem The Applications of Laplace Transform MCQ PDF e Book Chapter 5 practice test to solve MCQ questions on Circuit analysis introduction network stability network synthesis and state variables The Basic Concepts MCQ PDF e Book Chapter 6 practice test to solve MCQ questions on Applications charge and current circuit elements power and energy system of units and voltage The Basic Laws MCQ PDF e Book Chapter 7 practice test to solve MCQ questions on Applications Kirchhoff s laws nodes branches and loops Ohm s law series resistors and voltage division The Capacitors and Inductors MCQ PDF e Book Chapter 8 practice test to solve MCQ questions on capacitors differentiator inductors integrator and resistivity The Circuit Concepts MCQ PDF e Book Chapter 9 practice test to solve MCQ questions on Capacitance inductance non linear resistors passive and active elements resistance sign conventions and voltage current relations The Circuit Laws MCQ PDF e Book Chapter 10 practice test to solve MCQ questions on Introduction to circuit laws Kirchhoff s current law and Kirchhoff s voltage law The Circuit Theorems MCQ PDF e Book Chapter 11 practice test to solve MCQ questions on Kirchhoff s law linearity property maximum power transfer Norton s theorem resistance measurement source transformation superposition and the venin s theorem The Filters and Resonance MCQ PDF e Book Chapter 12 practice test to solve MCQ questions on Band pass filter and resonance frequency response half power frequencies high pass and low pass networks ideal and practical filters natural frequency and

damping ratio passive and active filters The First Order Circuits MCQ PDF e Book Chapter 13 practice test to solve MCQ questions on Applications capacitor discharge in a resistor establishing a DC voltage across a capacitor introduction singularity functions source free RL circuit source free RC circuit source free RL circuit step and impulse responses in RC circuits step response of an RC circuit step response of an RL circuit transient analysis with PSPICE and transitions at switching time The Fourier Series MCQ PDF e Book Chapter 14 practice test to solve MCQ questions on Applications average power and RMS values symmetry considerations and trigonometric Fourier series The Fourier transform MCQ PDF e Book Chapter 15 practice test to solve MCQ questions on applications The Frequency Response MCQ PDF e Book Chapter 16 practice test to solve MCQ questions on Active filters applications bode plots decibel scale introduction passive filters scaling series resonance and transfer function The Higher Order Circuits and Complex Frequency MCQ PDF e Book Chapter 17 practice test to solve MCQ questions on Complex frequency generalized impedance in s domain parallel RLC circuit and series RLC circuit The Introduction to Electric Circuits MCQ PDF e Book Chapter 18 practice test to solve MCQ questions on Constant and variable function electric charge and current electric potential electric quantities and SI units energy and electrical power force work and power The Introduction to Laplace Transform MCQ PDF e Book Chapter 19 practice test to solve MCQ questions on Convolution integral The Magnetically Coupled Circuits MCQ PDF e Book Chapter 20 practice test to solve MCQ questions on Energy in coupled circuit ideal autotransformers ideal transformers linear transformers and mutual inductance The Methods of Analysis MCQ PDF e Book Chapter 21 practice test to solve MCQ questions on Applications circuit analysis with PSPICE mesh analysis mesh analysis with current sources nodal analysis nodal and mesh analysis by inception The Mutual Inductance and Transformers MCQ PDF e Book Chapter 22 practice test to solve MCQ questions on Analysis of coupling coil auto transformer conductivity coupled equivalent circuits coupling coefficient dot rule energy in a pair of coupled coils ideal transformer linear transformer and mutual inductance The Operational Amplifiers MCQ PDF e Book Chapter 23 practice test to solve MCQ questions on Cascaded op amp circuits difference amplifier ideal op amp instrumentation amplifier introduction inverting amplifier noninverting amplifier operational amplifiers and summing amplifier The Polyphaser Circuits MCQ PDF e Book Chapter 24 practice test to solve MCQ questions on Balanced delta connected load balanced wye connected load equivalent y and delta connections phasor voltages the two wattmeter method three phase power three phase systems two phase systems unbalanced delta connected load unbalanced y connected load wye and delta systems The Second Order Circuits MCQ PDF e Book Chapter 25 practice test to solve MCQ questions on Second order op amp circuits applications duality introduction and source free series RLC circuit The Sinusoidal Steady State Analysis MCQ PDF e Book Chapter 26 practice test to solve MCQ questions on Element responses impedance and admittance mesh analysis nodal analysis op amp ac circuits oscillators phasors voltage and current division in frequency domain The Sinusoids and Phasors MCQ PDF e Book Chapter 27 practice test to solve MCQ questions on Applications impedance and

admittance impedance combinations introduction phasor relationships for circuit elements phasors and sinusoids The Three Phase Circuits MCQ PDF e Book Chapter 28 practice test to solve MCQ questions on Applications balanced delta delta connection balanced three phase voltages balanced wye delta connection balanced wye wye connection power in balanced system and un balanced three phase system The Two Port Networks MCQ PDF e Book Chapter 29 practice test to solve MCQ questions on Admittance parameters g parameters h parameters hybrid parameters impedance parameters interconnection of networks interconnection of two port networks introduction pi equivalent t parameters terminals and ports transmission parameters two port network y parameters and z parameters The Waveform and Signals MCQ PDF e Book Chapter 30 practice test to solve MCQ questions on Average and effective RMS values combination of periodic functions exponential function non periodic functions periodic functions random signals sinusoidal functions time shift and phase shift trigonometric identities unit impulse function and unit step function

Electric Circuit Problems with Solutions F. A. Benson, 1975-04-24 Electrical engineering and electronic engineering students have frequently to resolve and simplify quite complex circuits in order to understand them or to obtain numerical results and a sound knowledge of basic circuit theory is therefore essential The author is very much in favour of tutorials and the solving of problems as a method of education Experience shows that many engineering students encounter difficulties when they first apply their theoretical knowledge to practical problems Over a period of about twenty years the author has collected a large number of problems on electric circuits while giving lectures to students attending the first two post intermediate years of University engineering courses The purpose of this book is to present these problems a total of 365 together with many solutions some problems with answers given at the end of each Chapter are left as student exercises in the hope that they will prove of value to other teachers and students Solutions are separated from the problems so that they will not be seen by accident The answer is given at the end of each problem however for convenience Parts of the book are based on the author's previous work **Electrical Engineering Problems with Solutions** which was published in 1954

**Questions and Answers about Electrical Apparatus** William Brasher Clayton, James Watt Craig, 1909

*2016 / 2017 ASVAB For Dummies with Online Practice* Rod Powers, 2016-06-20 7 online practice tests one year access to six full length ASVAB practice exams and one AFQT exam Cover *2020 / 2021 ASVAB For Dummies with Online Practice* Angie Papple Johnston, 2020-03-19 Ready to ace the ASVAB Dummies can help Year after year ASVAB For Dummies has been the 1 ASVAB test prep book on the market And now it's expanded and improved for 2020 2021 Packed with plenty of practice questions practice tests flashcards and videos 2020 2021 ASVAB For Dummies provides an in depth review of every subtest strategy cheat sheets proven study tips and test taking tactics Go online to find six full length ASVAB practice tests and one AFQT practice test instructional videos and hundreds of flashcards to help you prepare for exam day Earn your highest score and qualify for the military job you want Boost your math science and English performance Review all nine subject areas in advance of test day View free online

videos hosted by the author Quiz yourself with hundreds of flashcards Get the latest information with completely updated Auto Shop and Mechanical Comprehension content If you re a military hopeful looking to set yourself up for the best career possible this ultimate ASVAB prep package is the key to unlocking your full potential *Electric Circuits* David A. Bell,1994  
Electricity and Engineering ,1914 **Electrical Engineering** ,1914 **How to be Brilliant at Electricity, Light and Sound** , *Electrical World* ,1891 The Electrical World ,1895 3,000 Solved Problems in Electrical Circuits Syed A. Nasar,1988-01-22 Schaum s powerful problem solver gives you 3 000 problems in electric circuits fully solved step by step The originator of the solved problem guide and students favorite with over 30 million study guides sold Schaum s offers a diagram packed timesaver to help you master every type of problem you ll face on tests Problems cover every area of electric circuits from basic units to complex multi phase circuits two port networks and the use of Laplace transforms Go directly to the answers and diagrams you need with our detailed cross referenced index Compatible with any classroom text Schaum s 3000 Solved Problems in Electric Circuits is so complete it s the perfect tool for graduate or professional exam prep  
*Computer Simulated Experiments for Electric Circuits Using Electronics Workbench* Richard Henry Berube,2000 This laboratory manual uses Electronics Workbench to simulate actual lab experiments on a computer Berube Community College of Rhode Island designed the experiments to help reinforce the classroom theory in a dc and ac electric circuits course including discussions of nodal voltage circuit analy **Railway Electrical Engineer** ,1930 **Computer Simulated Experiments for Electric Circuits Using Electronics Workbench Multisim** Richard Henry Berube,2004 For courses in Electric Circuits This unique and innovative laboratory manual helps students learn and understand circuit analysis concepts by using Electronic Workbench software to simulate actual laboratory experiments on a computer Students work with circuits drawn on the computer screen and with simulated instruments that act like actual laboratory instruments Circuits can be modified easily with on screen editing and analysis results provide fast accurate feedback Hands on in approach throughout in both interactive experiments and a series of questions about the results of each experiment it is more cost effective safer and more thorough and efficient than using hardwired experiments This lab manual can be sold for use with any DC AC text Note This book no longer comes with a CD Any reference to a CD within the book is out of date and will be updated on our next printing The information from the CD is available online [http://media.pearsoncmg.com/ph\\_chet\\_chet\\_electronics\\_student\\_1](http://media.pearsoncmg.com/ph_chet_chet_electronics_student_1) Click on Older Titles **Electrical Merchandising Week** ,1924 Includes annually 1961 Home goods data book **Industrial Engineering** George Worthington,1923 **Circuit Analysis (for Anna University)** Gnanasivam, **Electricity** ,1895

Immerse yourself in the artistry of words with Crafted by is expressive creation, Discover the Artistry of **Electrical Circuits Questions And Answers** . This ebook, presented in a PDF format ( Download in PDF: \*), is a masterpiece that goes beyond conventional storytelling. Indulge your senses in prose, poetry, and knowledge. Download now to let the beauty of literature and artistry envelop your mind in a unique and expressive way.

[https://py.bijouxmedusa.com/book/browse/fetch.php/market\\_for\\_beginners\\_united\\_states\\_39\\_613\\_stock\\_market\\_for\\_beginners\\_for.pdf](https://py.bijouxmedusa.com/book/browse/fetch.php/market_for_beginners_united_states_39_613_stock_market_for_beginners_for.pdf)

## **Table of Contents Electrical Circuits Questions And Answers**

1. Understanding the eBook Electrical Circuits Questions And Answers
  - The Rise of Digital Reading Electrical Circuits Questions And Answers
  - Advantages of eBooks Over Traditional Books
2. Identifying Electrical Circuits Questions And Answers
  - Exploring Different Genres
  - Considering Fiction vs. Non-Fiction
  - Determining Your Reading Goals
3. Choosing the Right eBook Platform
  - Popular eBook Platforms
  - Features to Look for in an Electrical Circuits Questions And Answers
  - User-Friendly Interface
4. Exploring eBook Recommendations from Electrical Circuits Questions And Answers
  - Personalized Recommendations
  - Electrical Circuits Questions And Answers User Reviews and Ratings
  - Electrical Circuits Questions And Answers and Bestseller Lists
5. Accessing Electrical Circuits Questions And Answers Free and Paid eBooks
  - Electrical Circuits Questions And Answers Public Domain eBooks
  - Electrical Circuits Questions And Answers eBook Subscription Services

- Electrical Circuits Questions And Answers Budget-Friendly Options
- 6. Navigating Electrical Circuits Questions And Answers eBook Formats
  - ePub, PDF, MOBI, and More
  - Electrical Circuits Questions And Answers Compatibility with Devices
  - Electrical Circuits Questions And Answers Enhanced eBook Features
- 7. Enhancing Your Reading Experience
  - Adjustable Fonts and Text Sizes of Electrical Circuits Questions And Answers
  - Highlighting and Note-Taking Electrical Circuits Questions And Answers
  - Interactive Elements Electrical Circuits Questions And Answers
- 8. Staying Engaged with Electrical Circuits Questions And Answers
  - Joining Online Reading Communities
  - Participating in Virtual Book Clubs
  - Following Authors and Publishers Electrical Circuits Questions And Answers
- 9. Balancing eBooks and Physical Books Electrical Circuits Questions And Answers
  - Benefits of a Digital Library
  - Creating a Diverse Reading Collection Electrical Circuits Questions And Answers
- 10. Overcoming Reading Challenges
  - Dealing with Digital Eye Strain
  - Minimizing Distractions
  - Managing Screen Time
- 11. Cultivating a Reading Routine Electrical Circuits Questions And Answers
  - Setting Reading Goals Electrical Circuits Questions And Answers
  - Carving Out Dedicated Reading Time
- 12. Sourcing Reliable Information of Electrical Circuits Questions And Answers
  - Fact-Checking eBook Content of Electrical Circuits Questions And Answers
  - Distinguishing Credible Sources
- 13. Promoting Lifelong Learning
  - Utilizing eBooks for Skill Development
  - Exploring Educational eBooks
- 14. Embracing eBook Trends

- Integration of Multimedia Elements
- Interactive and Gamified eBooks

## **Electrical Circuits Questions And Answers Introduction**

In this digital age, the convenience of accessing information at our fingertips has become a necessity. Whether its research papers, eBooks, or user manuals, PDF files have become the preferred format for sharing and reading documents. However, the cost associated with purchasing PDF files can sometimes be a barrier for many individuals and organizations. Thankfully, there are numerous websites and platforms that allow users to download free PDF files legally. In this article, we will explore some of the best platforms to download free PDFs. One of the most popular platforms to download free PDF files is Project Gutenberg. This online library offers over 60,000 free eBooks that are in the public domain. From classic literature to historical documents, Project Gutenberg provides a wide range of PDF files that can be downloaded and enjoyed on various devices. The website is user-friendly and allows users to search for specific titles or browse through different categories. Another reliable platform for downloading Electrical Circuits Questions And Answers free PDF files is Open Library. With its vast collection of over 1 million eBooks, Open Library has something for every reader. The website offers a seamless experience by providing options to borrow or download PDF files. Users simply need to create a free account to access this treasure trove of knowledge. Open Library also allows users to contribute by uploading and sharing their own PDF files, making it a collaborative platform for book enthusiasts. For those interested in academic resources, there are websites dedicated to providing free PDFs of research papers and scientific articles. One such website is Academia.edu, which allows researchers and scholars to share their work with a global audience. Users can download PDF files of research papers, theses, and dissertations covering a wide range of subjects. Academia.edu also provides a platform for discussions and networking within the academic community. When it comes to downloading Electrical Circuits Questions And Answers free PDF files of magazines, brochures, and catalogs, Issuu is a popular choice. This digital publishing platform hosts a vast collection of publications from around the world. Users can search for specific titles or explore various categories and genres. Issuu offers a seamless reading experience with its user-friendly interface and allows users to download PDF files for offline reading. Apart from dedicated platforms, search engines also play a crucial role in finding free PDF files. Google, for instance, has an advanced search feature that allows users to filter results by file type. By specifying the file type as "PDF," users can find websites that offer free PDF downloads on a specific topic. While downloading Electrical Circuits Questions And Answers free PDF files is convenient, its important to note that copyright laws must be respected. Always ensure that the PDF files you download are legally available for free. Many authors and publishers voluntarily provide free PDF versions of their work, but its essential to be cautious and verify the authenticity of the source before downloading Electrical Circuits

Questions And Answers. In conclusion, the internet offers numerous platforms and websites that allow users to download free PDF files legally. Whether its classic literature, research papers, or magazines, there is something for everyone. The platforms mentioned in this article, such as Project Gutenberg, Open Library, Academia.edu, and Issuu, provide access to a vast collection of PDF files. However, users should always be cautious and verify the legality of the source before downloading Electrical Circuits Questions And Answers any PDF files. With these platforms, the world of PDF downloads is just a click away.

### **FAQs About Electrical Circuits Questions And Answers Books**

1. Where can I buy Electrical Circuits Questions And Answers books? Bookstores: Physical bookstores like Barnes & Noble, Waterstones, and independent local stores. Online Retailers: Amazon, Book Depository, and various online bookstores offer a wide range of books in physical and digital formats.
2. What are the different book formats available? Hardcover: Sturdy and durable, usually more expensive. Paperback: Cheaper, lighter, and more portable than hardcovers. E-books: Digital books available for e-readers like Kindle or software like Apple Books, Kindle, and Google Play Books.
3. How do I choose a Electrical Circuits Questions And Answers book to read? Genres: Consider the genre you enjoy (fiction, non-fiction, mystery, sci-fi, etc.). Recommendations: Ask friends, join book clubs, or explore online reviews and recommendations. Author: If you like a particular author, you might enjoy more of their work.
4. How do I take care of Electrical Circuits Questions And Answers books? Storage: Keep them away from direct sunlight and in a dry environment. Handling: Avoid folding pages, use bookmarks, and handle them with clean hands. Cleaning: Gently dust the covers and pages occasionally.
5. Can I borrow books without buying them? Public Libraries: Local libraries offer a wide range of books for borrowing. Book Swaps: Community book exchanges or online platforms where people exchange books.
6. How can I track my reading progress or manage my book collection? Book Tracking Apps: Goodreads, LibraryThing, and Book Catalogue are popular apps for tracking your reading progress and managing book collections. Spreadsheets: You can create your own spreadsheet to track books read, ratings, and other details.
7. What are Electrical Circuits Questions And Answers audiobooks, and where can I find them? Audiobooks: Audio recordings of books, perfect for listening while commuting or multitasking. Platforms: Audible, LibriVox, and Google Play Books offer a wide selection of audiobooks.

8. How do I support authors or the book industry? Buy Books: Purchase books from authors or independent bookstores. Reviews: Leave reviews on platforms like Goodreads or Amazon. Promotion: Share your favorite books on social media or recommend them to friends.
9. Are there book clubs or reading communities I can join? Local Clubs: Check for local book clubs in libraries or community centers. Online Communities: Platforms like Goodreads have virtual book clubs and discussion groups.
10. Can I read Electrical Circuits Questions And Answers books for free? Public Domain Books: Many classic books are available for free as they're in the public domain. Free E-books: Some websites offer free e-books legally, like Project Gutenberg or Open Library.

### **Find Electrical Circuits Questions And Answers :**

**market for beginners United States 39-613 stock market for beginners for business 39-2846 self improvement best practices for entrepreneurs 39-1541 self improvement best practices for entrepreneurs 39-411 self business 39-1522 personal finance tutorial for small business 39-1551 routines roadmap United States 39-2951 fitness routines roadmap United automation best practices for entrepreneurs 39-131 business automation United States 39-166 passive income ideas case study America 39-1044 retirement planning ideas for small business 39-1604 retirement planning computing step by step USA 39-356 cloud computing step by step for explained for startups 39-105 sustainable living for beginners United step for creators 39-757 cybersecurity strategies United States 39-405 39-2636 luxury travel case study America 39-293 luxury travel case study step by step USA 39-2313 healthy recipes step by step for entrepreneurs routines software for entrepreneurs 39-2806 fitness routines software America 39-1419 stock market for beginners United States 39-2876 stock**

### **Electrical Circuits Questions And Answers :**

*somptueuses et pleines de promesses pourquoi les premières images du - Apr 02 2023*

web 1 day ago en un coup d œil nous embrassons ici une des plus grandes structures connues de notre univers proche

située à 240 millions d années lumière seulement de nous l amas de persée  
[par delà l univers site officiel de netflix](#) - Jun 23 2022

web par delà l univers 2022 classement de maturité tv ma 2 h 7 min drames une jeune pianiste qui attend une greffe de rein  
tisse un lien inattendu avec son médecin et trouve le courage de réaliser ses rêves musicaux mettant en vedette  
[au delà de l univers wikipédia](#) - May 03 2023

web au delà de l univers est une série de sept romans écrits dans les années 2000 par l auteure québécoise alexandra  
larochelle résumé chaque tome de la série raconte un voyage interdimensionnel se passant dans le monde d erianigami  
imaginaire à l envers dans différentes dimensions dans le futur ou dans le passé  
[au delà de l univers voyage vers les mystérieux confins du](#) - Oct 28 2022

web oct 2 2022 cela signifie qu une galaxie située à 18 milliards d années lumière de nous se trouve au delà de notre  
horizon cosmologique tout comme l océan continue au delà de ce que voient les

**y a t il quelque chose au delà de l univers tom s guide** - Oct 08 2023

web may 3 2021 plusieurs théories tentent d expliquer ce qui pourrait se trouver au delà de notre univers à commencer par  
celle des multivers en dehors des limites de notre univers se trouve

**espace satellite euclid vers l infini et au delà franceinfo** - Sep 07 2023

web 1 day ago découvrir les secrets de l univers de magnifiques images juste pour voir que tout fonctionne car la vraie  
mission d euclid est de créer une carte 3d la plus complète de l univers et de  
[5 hypothèses sur ce qui se trouve au delà de l univers observable](#) - Nov 28 2022

web sep 11 2021 il y a environ 13 75 milliards d années notre univers tel que nous le connaissons aujourd hui fut créé peu  
de temps après la première lumière commença à s

**par delà l univers site officiel de netflix** - May 23 2022

web par delà l univers site officiel de netflix par delà l univers 2022 catégorie d âge 18 2 h 7 min drame dans l attente d une  
greffe de rein une jeune pianiste tisse des liens inattendus avec son médecin et trouve le courage de réaliser ses rêves  
musicaux avec       regardez autant que vous voulez

[au delà de l univers series by alexandra larochelle goodreads](#) - Dec 30 2022

web au delà de l univers series 6 primary works 6 total works book 1 au delà de l univers by alexandra larochelle 3 38 45  
ratings 4 reviews published 2004 1 edition derrière chez daniel provencher un ours rôde ain want to read rate it book 2  
mission périlleuse en erianigami by alexandra larochelle

**au delà de l univers larochelle alexandra 1993 free** - Feb 17 2022

web french 62 pages 18 cm me me si ses parents lui ont interdit d aller dans la fore t puisqu un ours y ro de daniel treize ans

s y aventure afin d emprunter le raccourci qui me ne chez son copain  
*astrounivers com tout sur l espace et au delà* - Jan 31 2023

web nov 6 2023 tout sur l espace et au delà passer au contenu mercredi novembre 8 2023 astrounivers com tout sur l espace et au delà univers voyages temporels glissant doucement à travers la vaste étendue de l espace la lumière maintient un rythme inébranlable parcourant 299 792 458 mètres

au delà de l univers delsaout patrick amazon com tr kitap - Jul 25 2022

web au delà de l univers delsaout patrick amazon com tr kitap Çerez tercihlerinizi seçin Çerez bildirimimizde ayrıntılı şekilde açıklandığı üzere alışveriş yapmanızı sağlamak alışveriş deneyiminizi iyileştirmek ve hizmetlerimizi sunmak için gerekli olan çerezleri ve benzer araçları kullanırız

au delà de l univers les univers de l au delà amazon fr - Aug 26 2022

web les immenses connaissances de patrick delsaout dans le domaine du paranormal lui ont permis d écrire 3 ouvrages majeurs au delà de l univers les univers de l au delà le livre le plus complet 700 pages et 400 illustrations couleurs sur la vie après la mort dans les autres dimensions

*y a t il quelque chose au delà de l univers astrounivers com* - Sep 26 2022

web may 5 2021 l objectif du développement de mathématiques sophistiquées est de disposer d outils qui nous permettent d appréhender des concepts au delà de ce que nous pouvons imaginer et c est l un des pouvoirs de la cosmologie moderne elle nous permet d étudier l inimaginable

**par delà l univers film 2022 allociné** - Mar 21 2022

web oct 27 2022 gueules noires par delà l univers est un film réalisé par diego freitas avec giulia be henry zaga synopsis la talentueuse pianiste nina doit surmonter les difficultés liées au lupus une

**le télescope spatial euclid de l esa dévoile ses premières images** - Jul 05 2023

web 1 day ago les précisions de camille bonvin cosmologiste et professeure de physique théorique à l unige sur les premières images du télescope euclid dévoilées par l esa 19h30 3 min mardi à 19 30

au delà de l univers larochele alexandra 1993 free - Apr 21 2022

web au delà de l univers by larochele alexandra 1993 publication date 2004 topics forests and forestry juvenile fiction friendship juvenile fiction fantasy fiction forêts romans nouvelles etc pour la jeunesse amitié romans nouvelles etc pour la jeunesse roman fantastique forests and forestry friendship

y a t il quelque chose au delà de l univers fredzone - Mar 01 2023

web jul 9 2021 il y a encore beaucoup de choses que nous ignorons de l univers et c est aussi le cas pour ce qui se trouve au delà de celui ci si tant est bien sûr qu il existe un au delà pendant

**I univers possède t il une limite sciences et avenir** - Jun 04 2023

web aug 8 2020 au bout de dizaines de milliards d années lumière nous arrivons à une frontière celle de l univers que nous sommes capables d observer constitué de tous les astres dont la

**premières images d euclid l éblouissante lisière de l obscurité** - Aug 06 2023

web 1 day ago aujourd'hui la mission spatiale euclid de l esa révèle ses premières images en couleur du cosmos jamais auparavant un télescope n avait été capable de créer des images astronomiques d une telle netteté sur une si grande portion du ciel et en regardant aussi loin dans l univers lointain ces cinq images illustrent tout le potentiel

*tareekh e hindustan reading section* - Mar 09 2023

web read reviews from the world s largest community for readers this book was originally published prior to 1923 and represents a reproduction of an importan

**today islamic date in turkey 2023 today hijri date** □□□ □□□□□ - Jan 27 2022

[tarikh e hindustan vol 1 urdu rai sahib munshi ghulam singh](#) - Aug 14 2023

web jul 29 2023 collection kashmirresearchinstitute additional collections collection at kashmir research institute srinagar tarikh e hindustan vol 1 urdu rai sahib munshi ghulam singh and sons addeddate 2023 07 29 16 25 33 identifier bubs tarikh e [history of india episode 1 hindustan ki tareekh](#) - Feb 08 2023

web nov 3 2014 tarikh e farishta by muhammad qasim farishta topics besturdubooks wordpress com collection booksbylanguage urdu

[tarikh i hindustan zaka ullah muhammad 1832 1910 archive org](#) - Oct 24 2021

**2023 hindu calendar for houston texas united states** - Nov 24 2021

**tareekh e hindustan jlid 1 pdfbooksfree pk archive org** - Jul 13 2023

web jul 18 2023 tarikh i hindustan 06 urdu edition zaka ullah muhammad on amazon com free shipping on qualifying offers tarikh i hindustan 06 urdu edition

[tarikh i hindustan 1915 edition open library](#) - Apr 10 2023

web tarikh i hindustan by muhammad zaka ullah 1915 matba institute edition in urdu

**islamic date today in india 2023 hijri islamic date calendar** - Sep 03 2022

web aug 27 2023 tarikh hindustan urdu 1 1 downloaded from uniport edu ng on august 27 2023 by guest tarikh hindustan urdu getting the books tarikh hindustan urdu now is

*tarikh i hindustan volume 02 urdu edition goodreads* - Nov 05 2022

web islamic calendar contains islamic month s names in urdu and islamic month names in english islamic calendar can also be downloaded in pdf format urdupoint provides you

[islamic calendar 2023 hijri calendar urdupoint](#) - Jul 01 2022

web oct 18 2016 hindistan Ülke tatilleri yılbaşı 1 ocak thai pongal tamil hasat festivali 13 ocak cumhuriyet bayramı 26 ocak losar 9 Şubat

**tarikh i hindustan by muhammad zaka ullah open library** - Jan 07 2023

web sep 13 2023 at urdupoint you can check the chand ki tarikh today that is updated as per the decision of moon sighting by the government of india what is the islamic date

**hindistan resmi tatilleri** - Feb 25 2022

web tarikh i hindustan by zaka ullah muhammad 1832 1910 publication date 1915 topics muslims publisher aligarh matba institute

*tarikh hindustan urdu pdf support ortax org* - May 31 2022

web sep 07 2023 23 safar 1445 today islamic date in turkey is 23 safar 1445 islamic date is also called hijri date or today arabic date in the muslim world that follows moon

*tarikh hindustan urdu uniport edu ng* - Apr 29 2022

web date meaning in urdu date meaning in english to urdu is تارکھ as written in urdu and tareekh as written in roman urdu there are many synonyms of date which include

*tarikh i hindustan 06 urdu edition amazon com* - May 11 2023

web dec 6 2015 tareekh e hindustan complete by maulvi mohammad zakaullah this urdu pdf book is available to download in free pdf book form a request to members

[tareekh e hindustan by molvi muhammad zakaullah](#) - Dec 06 2022

web india office library 1900 searching for solace m a sherif 1994 this is the first detailed account of the life and ideas of abdullah yusuf ali whose the holy qur an text

**tarikh e farishta muhammad qasim farishta free download** - Oct 04 2022

web tarikh hindustan urdu pdf upload suny u boyle 2 6 downloaded from support ortax org on september 3 2023 by suny u boyle india and central asia 2020 the bābur nāma in

[tarikh hindustan urdu secure4 khronos](#) - Mar 29 2022

web this is hindu calendar which lists most hindu festivals and fasting days in year 2023 for houston texas united states hindu festivals calendar is also known as hindu vrat

**tarikh i hindustan zaka ullah muhammad 1832** - Jun 12 2023

web tarikh i hindustan by muhammad zaka ullah 1915 matba institute edition in urdu

**tarikh hindustan urdu ministry of education youth and sports** - Aug 02 2022

web jun 5 2023 this tarikh hindustan urdu as one of the bulk operating sellers here will thoroughly be associated with by the best choices to review its for that purpose

*date meaning in urdu tareekh* [ ] [ ] [ ] [ ] *english to urdu dictionary* - Dec 26 2021

**ebook je ne suis pas superstitieux j ai peur que a a me** - Aug 15 2023

web may 5 2023 vous la peur est un cycle de frustration sans fin mais vous pouvez être libres lisez ce livre et découvrez des six démanche pratiques pour vaincre la peur

**je ne suis pas superstitieux j ai peur que a a me pdf** - Sep 23 2021

web jul 7 2023 je ne suis pas superstitieux j ai peur que a a me 1 5 downloaded from uniport edu ng on july 7 2023 by guest je ne suis pas superstitieux j ai peur que a

*je ne suis pas superstitieux j ai peur que a a me pdf* - Dec 27 2021

web just invest little become old to contact this on line proclamation je ne suis pas superstitieux j ai peur que a a me as well as review them wherever you are now

**je ne suis pas superstitieux j ai peur que a a me 2022** - Sep 04 2022

web 4 je ne suis pas superstitieux j ai peur que a a me 2022 01 14 georges reve regulierement d une jeune fille qui ressemble beaucoup a une danseuse dans un

*je ne suis pas superstitieux j ai peur que ça me porte malheur* - Feb 09 2023

web retrouvez toutes vos superstitions préférées dans ce livre qui mettra à coup sûr la chance de votre côté qui ne remarque pas quand un vendredi tombe un 13 qui n a jamais

*je ne suis pas superstitieux ca porte malheur l internaute* - Apr 30 2022

web un jour on écrira notre histoire qui peut à la foi figurer dans les amours célèbres ou le crime ne paie pas 16 décembre 2013 je ne suis pas superstitieux parce que la

*je ne suis pas superstitieux j ai peur que ça me porte malheur* - Apr 11 2023

web qui n appréhende pas de passer sous une échelle qui n a jamais remis le pain à l endroit avouons le nous sommes tous un peu superstitieux evelyne keller a récolté dans

**je ne suis pas superstitieux j ai peur que a a me pdf full pdf** - Jun 13 2023

web je ne suis pas superstitieux j ai peur que a a me pdf pages 3 11 je ne suis pas superstitieux j ai peur que a a me pdf

upload donald v williamson 3 11 downloaded

*je ne suis pas superstitieux j ai peur que a a me copy* - Aug 03 2022

web aug 11 2023 je ne suis pas superstitieux j ai peur que a a me 1 5 downloaded from uniport edu ng on august 11 2023 by guest je ne suis pas superstitieux j ai peur

Êtes vous superstitieux se l etudiant - Jul 02 2022

web Êtes vous superstitieux se découvrez le grâce au test d orientation de l etudiant l etudiant

*je ne suis pas superstitieux j ai peur que a a me pdf* - Nov 06 2022

web aug 31 2023 je ne suis pas superstitieux j ai peur que a a me 1 6 downloaded from uniport edu ng on august 31 2023 by guest je ne suis pas superstitieux j ai peur

**je ne suis pas superstitieux j ai peur que a a me** - Jun 01 2022

web je ne suis pas superstitieux j ai peur que a a me qu est ce que le pape la véritable idée qu en donnent l Écriture et les saints perès idée opposée a celle que quelques

**je ne suis pas superstitieux j ai peur que a a me 2023** - May 12 2023

web je ne suis pas superstitieux j ai peur que a a me a tort et à travers jul 20 2021 tu te souviens on avait dit qu il serait facile d haïr ceux que nous avons aimés on avait

**je ne suis pas superstitieux j ai peur que a a me voltaire copy** - Feb 26 2022

web je ne suis pas superstitieux j ai peur que ça me porte malheur evelyne keller 2011 11 30 qui ne remarque pas quand un vendredi tombe un 13 qui n a jamais cherché un

**je ne suis pas superstitieux j ai peur que a a me pdf** - Jan 08 2023

web je ne suis pas superstitieux j ai peur que a a me 1 5 downloaded from uniport edu ng on september 1 2023 by guest je ne suis pas superstitieux j ai peur que a a me

je ne suis pas superstitieux j ai peur que a a me pdf book - Dec 07 2022

web mar 10 2023 je ne suis pas superstitieux j ai peur que a a me pdf thank you for downloading je ne suis pas superstitieux j ai peur que a a me pdf as you may

*je ne suis pas superstitieux j ai peur que a a me pdf voltaire* - Jul 14 2023

web jun 1 2023 je ne suis pas superstitieux j ai peur que a a me pdf is available in our digital library an online access to it is set as public so you can download it instantly our

**je ne suis pas superstitieux j ai peur que a a me pdf** - Oct 05 2022

web je ne suis pas superstitieux j ai peur que ça me porte malheur bod books on demand these reports are the result of a collection of statistics of marriage and divorce

je ne suis pas superstitieux j ai peur que a a me pierre - Jan 28 2022

web je ne suis pas superstitieux j ai peur que a a me je ne suis pas superstitieux j ai peur que a a me 1 downloaded from nysm pfi org on 2023 04 21 by guest je ne suis

*je ne suis pas superstitieux j ai peur que a a me pierre alexis* - Oct 25 2021

web je ne suis pas superstitieux j ai peur que a a me je ne suis pas superstitieux j ai peur que a a me 3 downloaded from old restorativejustice org on 2022 01 03 by guest

je ne suis pas superstitieux j ai peur que ça me porte malheur - Nov 25 2021

web oct 20 2011 je ne suis pas superstitieux j ai peur que ça me porte malheur de evelyne keller Éditeur l opportun editions de livraison gratuite à 0 01 dès 35

*je ne suis pas superstitieux j ai peur que ça me porte malheur* - Mar 10 2023

web oct 20 2011 je ne suis pas superstitieux j ai peur que ça me porte malheur de plongez vous dans le livre evelyne keller au format ajoutez le à votre liste de souhaits

**superstitieux définition simple et facile du dictionnaire** - Mar 30 2022

web je ne suis pas superstitieux ca porte malheur coluche les superstitieux sont dans la société ce que les poltrons sont dans l armée ils ont et plus généralement vous