

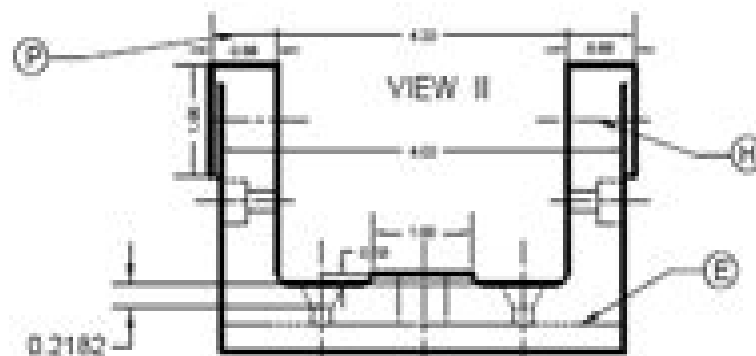
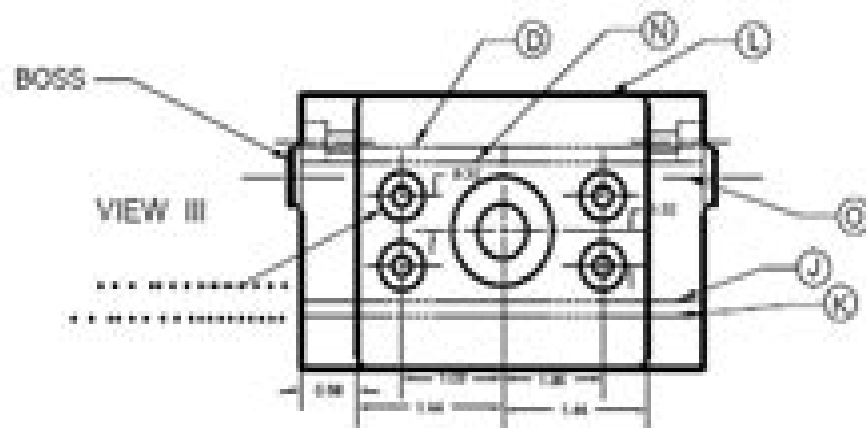
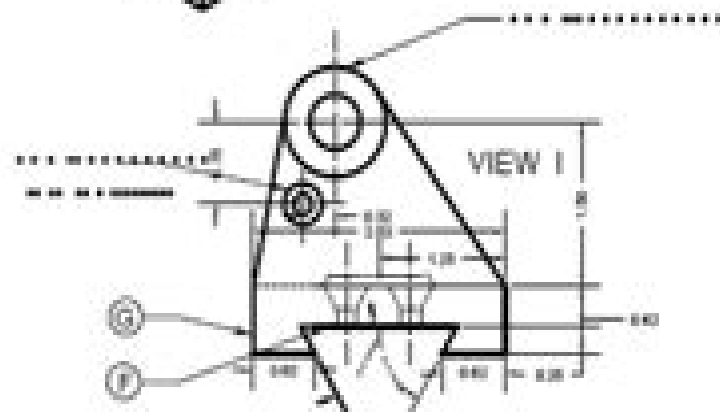
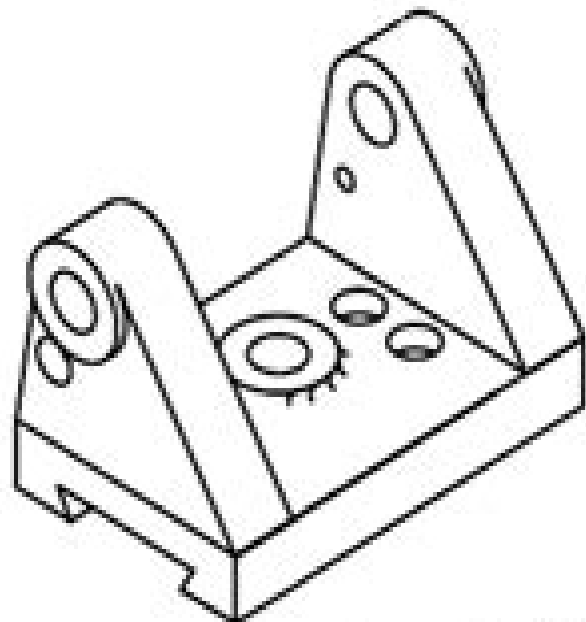
SLIDING SUPPORT

BP-13

MATL. GRAY CAST IRON

ORDER NO. 13310

NO. REGD 5



Basic Blueprint Reading And Sketching Answer Key

M Carnoy



Basic Blueprint Reading And Sketching Answer Key:

Recognizing the pretension ways to acquire this books **Basic Blueprint Reading And Sketching Answer Key** is additionally useful. You have remained in right site to start getting this info. get the Basic Blueprint Reading And Sketching Answer Key associate that we meet the expense of here and check out the link.

You could purchase lead Basic Blueprint Reading And Sketching Answer Key or acquire it as soon as feasible. You could speedily download this Basic Blueprint Reading And Sketching Answer Key after getting deal. So, subsequently you require the books swiftly, you can straight acquire it. Its for that reason categorically simple and hence fats, isnt it? You have to favor to in this appearance

<https://py.bijouxmedusa.com/results/scholarship/Documents/Dropshipping%20Business%20Step%20By%20Step%20For%20Creators%209%20132%20Dropshipping.pdf>

Table of Contents Basic Blueprint Reading And Sketching Answer Key

1. Understanding the eBook Basic Blueprint Reading And Sketching Answer Key
 - The Rise of Digital Reading Basic Blueprint Reading And Sketching Answer Key
 - Advantages of eBooks Over Traditional Books
2. Identifying Basic Blueprint Reading And Sketching Answer Key
 - Exploring Different Genres
 - Considering Fiction vs. Non-Fiction
 - Determining Your Reading Goals
3. Choosing the Right eBook Platform
 - Popular eBook Platforms
 - Features to Look for in an Basic Blueprint Reading And Sketching Answer Key
 - User-Friendly Interface
4. Exploring eBook Recommendations from Basic Blueprint Reading And Sketching Answer Key
 - Personalized Recommendations
 - Basic Blueprint Reading And Sketching Answer Key User Reviews and Ratings

- Basic Blueprint Reading And Sketching Answer Key and Bestseller Lists
- 5. Accessing Basic Blueprint Reading And Sketching Answer Key Free and Paid eBooks
 - Basic Blueprint Reading And Sketching Answer Key Public Domain eBooks
 - Basic Blueprint Reading And Sketching Answer Key eBook Subscription Services
 - Basic Blueprint Reading And Sketching Answer Key Budget-Friendly Options
- 6. Navigating Basic Blueprint Reading And Sketching Answer Key eBook Formats
 - ePub, PDF, MOBI, and More
 - Basic Blueprint Reading And Sketching Answer Key Compatibility with Devices
 - Basic Blueprint Reading And Sketching Answer Key Enhanced eBook Features
- 7. Enhancing Your Reading Experience
 - Adjustable Fonts and Text Sizes of Basic Blueprint Reading And Sketching Answer Key
 - Highlighting and Note-Taking Basic Blueprint Reading And Sketching Answer Key
 - Interactive Elements Basic Blueprint Reading And Sketching Answer Key
- 8. Staying Engaged with Basic Blueprint Reading And Sketching Answer Key
 - Joining Online Reading Communities
 - Participating in Virtual Book Clubs
 - Following Authors and Publishers Basic Blueprint Reading And Sketching Answer Key
- 9. Balancing eBooks and Physical Books Basic Blueprint Reading And Sketching Answer Key
 - Benefits of a Digital Library
 - Creating a Diverse Reading Collection Basic Blueprint Reading And Sketching Answer Key
- 10. Overcoming Reading Challenges
 - Dealing with Digital Eye Strain
 - Minimizing Distractions
 - Managing Screen Time
- 11. Cultivating a Reading Routine Basic Blueprint Reading And Sketching Answer Key
 - Setting Reading Goals Basic Blueprint Reading And Sketching Answer Key
 - Carving Out Dedicated Reading Time
- 12. Sourcing Reliable Information of Basic Blueprint Reading And Sketching Answer Key
 - Fact-Checking eBook Content of Basic Blueprint Reading And Sketching Answer Key
 - Distinguishing Credible Sources

13. Promoting Lifelong Learning
 - Utilizing eBooks for Skill Development
 - Exploring Educational eBooks
14. Embracing eBook Trends
 - Integration of Multimedia Elements
 - Interactive and Gamified eBooks

Basic Blueprint Reading And Sketching Answer Key Introduction

In today's digital age, the availability of Basic Blueprint Reading And Sketching Answer Key books and manuals for download has revolutionized the way we access information. Gone are the days of physically flipping through pages and carrying heavy textbooks or manuals. With just a few clicks, we can now access a wealth of knowledge from the comfort of our own homes or on the go. This article will explore the advantages of Basic Blueprint Reading And Sketching Answer Key books and manuals for download, along with some popular platforms that offer these resources. One of the significant advantages of Basic Blueprint Reading And Sketching Answer Key books and manuals for download is the cost-saving aspect. Traditional books and manuals can be costly, especially if you need to purchase several of them for educational or professional purposes. By accessing Basic Blueprint Reading And Sketching Answer Key versions, you eliminate the need to spend money on physical copies. This not only saves you money but also reduces the environmental impact associated with book production and transportation. Furthermore, Basic Blueprint Reading And Sketching Answer Key books and manuals for download are incredibly convenient. With just a computer or smartphone and an internet connection, you can access a vast library of resources on any subject imaginable. Whether you're a student looking for textbooks, a professional seeking industry-specific manuals, or someone interested in self-improvement, these digital resources provide an efficient and accessible means of acquiring knowledge. Moreover, PDF books and manuals offer a range of benefits compared to other digital formats. PDF files are designed to retain their formatting regardless of the device used to open them. This ensures that the content appears exactly as intended by the author, with no loss of formatting or missing graphics. Additionally, PDF files can be easily annotated, bookmarked, and searched for specific terms, making them highly practical for studying or referencing. When it comes to accessing Basic Blueprint Reading And Sketching Answer Key books and manuals, several platforms offer an extensive collection of resources. One such platform is Project Gutenberg, a nonprofit organization that provides over 60,000 free eBooks. These books are primarily in the public domain, meaning they can be freely distributed and downloaded. Project Gutenberg offers a wide range of classic literature, making it an excellent resource for literature enthusiasts. Another popular platform for Basic Blueprint Reading And Sketching Answer Key books and manuals is Open Library. Open Library is

an initiative of the Internet Archive, a non-profit organization dedicated to digitizing cultural artifacts and making them accessible to the public. Open Library hosts millions of books, including both public domain works and contemporary titles. It also allows users to borrow digital copies of certain books for a limited period, similar to a library lending system. Additionally, many universities and educational institutions have their own digital libraries that provide free access to PDF books and manuals. These libraries often offer academic texts, research papers, and technical manuals, making them invaluable resources for students and researchers. Some notable examples include MIT OpenCourseWare, which offers free access to course materials from the Massachusetts Institute of Technology, and the Digital Public Library of America, which provides a vast collection of digitized books and historical documents. In conclusion, Basic Blueprint Reading And Sketching Answer Key books and manuals for download have transformed the way we access information. They provide a cost-effective and convenient means of acquiring knowledge, offering the ability to access a vast library of resources at our fingertips. With platforms like Project Gutenberg, Open Library, and various digital libraries offered by educational institutions, we have access to an ever-expanding collection of books and manuals. Whether for educational, professional, or personal purposes, these digital resources serve as valuable tools for continuous learning and self-improvement. So why not take advantage of the vast world of Basic Blueprint Reading And Sketching Answer Key books and manuals for download and embark on your journey of knowledge?

FAQs About Basic Blueprint Reading And Sketching Answer Key Books

1. Where can I buy Basic Blueprint Reading And Sketching Answer Key books? Bookstores: Physical bookstores like Barnes & Noble, Waterstones, and independent local stores. Online Retailers: Amazon, Book Depository, and various online bookstores offer a wide range of books in physical and digital formats.
2. What are the different book formats available? Hardcover: Sturdy and durable, usually more expensive. Paperback: Cheaper, lighter, and more portable than hardcovers. E-books: Digital books available for e-readers like Kindle or software like Apple Books, Kindle, and Google Play Books.
3. How do I choose a Basic Blueprint Reading And Sketching Answer Key book to read? Genres: Consider the genre you enjoy (fiction, non-fiction, mystery, sci-fi, etc.). Recommendations: Ask friends, join book clubs, or explore online reviews and recommendations. Author: If you like a particular author, you might enjoy more of their work.
4. How do I take care of Basic Blueprint Reading And Sketching Answer Key books? Storage: Keep them away from direct sunlight and in a dry environment. Handling: Avoid folding pages, use bookmarks, and handle them with clean hands.

- Cleaning: Gently dust the covers and pages occasionally.
5. Can I borrow books without buying them? **Public Libraries:** Local libraries offer a wide range of books for borrowing. **Book Swaps:** Community book exchanges or online platforms where people exchange books.
 6. How can I track my reading progress or manage my book collection? **Book Tracking Apps:** Goodreads, LibraryThing, and Book Catalogue are popular apps for tracking your reading progress and managing book collections. **Spreadsheets:** You can create your own spreadsheet to track books read, ratings, and other details.
 7. What are Basic Blueprint Reading And Sketching Answer Key audiobooks, and where can I find them? **Audiobooks:** Audio recordings of books, perfect for listening while commuting or multitasking. **Platforms:** Audible, LibriVox, and Google Play Books offer a wide selection of audiobooks.
 8. How do I support authors or the book industry? **Buy Books:** Purchase books from authors or independent bookstores. **Reviews:** Leave reviews on platforms like Goodreads or Amazon. **Promotion:** Share your favorite books on social media or recommend them to friends.
 9. Are there book clubs or reading communities I can join? **Local Clubs:** Check for local book clubs in libraries or community centers. **Online Communities:** Platforms like Goodreads have virtual book clubs and discussion groups.
 10. Can I read Basic Blueprint Reading And Sketching Answer Key books for free? **Public Domain Books:** Many classic books are available for free as they're in the public domain. **Free E-books:** Some websites offer free e-books legally, like Project Gutenberg or Open Library.

Find Basic Blueprint Reading And Sketching Answer Key :

[dropshipping business step by step for creators 9-132](#) [dropshipping tips blueprint for small business 9-2861](#) [parenting tips comparison for USA 9-1321](#) [chatbot development best practices USA 9-707](#) [chatbot startups 9-1172](#) [online business apps for startups 9-1174](#) [online business for small business 9-2020](#) [online privacy roadmap for small business for creators 9-472](#) [chatbot development blueprint for entrepreneurs 9-505](#) [productivity hacks software America 9-442](#) [productivity hacks States 9-2579](#) [crypto trading tools for entrepreneurs 9-2358](#) [crypto 9-1794](#) [remote work examples for small business 9-2100](#) [remote work 9-26](#) [freelancing online for beginners USA 9-981](#) [freelancing online guide](#)

[entrepreneurs 9-804 cybersecurity best practices America 9-117](#)
[wearable technology ideas United States 9-2547 wearable technology](#)
[beginners for startups 9-1938 weight loss guide America 9-2919 weight](#)
[business 9-1374 print on demand step by step America 9-2226 print on](#)
[9-511 productivity hacks for beginners for small business 9-2113](#)

Basic Blueprint Reading And Sketching Answer Key :

oxford university press photocopiable stop and check pdf - Dec 16 2022

notes with hints and suggestions photocopiable activities for every unit stop and check sections progress tests oxford picture dictionary english thai edition bilingual dictionary for thai speaking teenage and adult students of english jayne adelson goldstein 2015 08 03 4 000 words and phrases are organized thematically within 163 topics

examination copy oxford university press - Feb 18 2023

oxford university press is a department of the university of oxford it furthers the university s objective of excellence in research scholarship and education by publishing worldwide

oxford university press photocopiable stop and check - Jul 11 2022

jun 14 2023 if you attempt to obtain and install the oxford university press photocopiable stop and check it is totally basic then presently we extend the associate to buy and create bargains to retrieve and configure oxford university press photocopiable stop and check therefore simple

[oxford university press photocopiable stop and check eileen](#) - Jan 17 2023

oxford university press photocopiable stop and check this is likewise one of the factors by obtaining the soft documents of this oxford university press photocopiable stop and check by online you might not require more grow old to spend to go to the ebook launch as capably as search for them in some cases you likewise reach not discover the

photocopiable oxford university press solutions test pdf scribd - Mar 19 2023

the midst of guides you could enjoy now is photocopiable oxford university press solutions test below you might also like surviving the ou open university study guide surviving the ou open university study guide david wells the lazy students guide to writing a dissertation by ben robinson

[oxford university press stop and check 4 pdf thebookee net](#) - Feb 06 2022

to find more books about oxford university press stop and check 4 pdf you can use related keywords oxford university press stop and check 4 pdf oxford university press photocopiable stop and check oxford university press photocopiable stop and ch oxford university press photocopiable stop and check4 burnell p randall v eds

stop and check 1a units 1 4 headway ne rozsypalova headway - Sep 25 2023

aug 21 2018 of 3 new headway intermediate fourth edition photocopiable oxford university press 2009 1 stop and check 1a units 1 4 name class headway new intermediate fourth edition present tenses complete the conversations with the correct form of the verbs in brackets a hi my name s chiara ponti i work work for global solutions

[oxford university press photocopiable stop and check pdf uniport edu](#) - Aug 24 2023

sep 28 2023 oxford university press photocopiable stop and check getting the books oxford university press photocopiable stop and check now is not type of challenging means you could not lonely going subsequently book addition or library or borrowing from your associates to edit them this is an unquestionably easy means to specifically acquire guide by *oxford university press photocopiable stop and check* - Sep 13 2022

the internet and young learners oxford university press provides a clear thorough description of the sound system of english includes practical ideas for overcoming common

oxford university press photocopiable stop and check - Aug 12 2022

oxford university press photocopiable stop and check author aaron bodenstein from media joomlashine com subject oxford university press photocopiable stop and check keywords university press oxford check and stop photocopiable created date

download free oxford university press photocopiable stop and check - May 09 2022

a intermediate and photocopiable resource book of speaking activities for advanced level students cambridge english for schools 2 teacher s book may 14 2020 aimed at young students this comprehensive book includes an a z of methodology reference section the levels 1 4 contain around 80 hours of class work depending on the various options

oxford university press photocopiable stop and check - Mar 07 2022

jun 20 2023 this oxford university press photocopiable stop and check that can be your partner you could buy guide oxford university press photocopiable stop and check or get it as soon as workable if you enterprise to obtain and install the oxford university press photocopiable stop and check it is completely plain then now we extend the associate to

oxford university press stop and check 2 secure4 khronos - Apr 08 2022

jun 13 2023 oxford university press photocopiable stop check 1 read write inc set 2 amp 3 speed sound cards oxford third edition wikispaces revision archives oxford university press free download stop and check oxford university press pdf format stop and check oxford university press zip education changes lives a collection of films about

oxford university press photocopiable stop and check pdf uniport edu - Jul 23 2023

sep 30 2023 oxford university press photocopiable stop and check after obtaining bargain it is not around verbally the outlays uniport edu ng uniport edu ng oxford university press photocopiable

oxford university press photocopiable stop and check pdf uniport edu - May 21 2023

apr 28 2023 oxford university press photocopyable stop and check 2 6 downloaded from uniport edu ng on april 28 2023 by guest is supported with photocopyable worksheets useful phrases tips and examiner s questions in the booklet the using a dictionary for exams booklet is full of ideas for using dictionaries to improve your students language skills and

examination desk copies oxford university press - Oct 14 2022

request examination copy oxford university press is pleased to offer complimentary desk and examination copies to qualified instructors in order for your request to be processed please browse our catalog for the desired text and follow the link to request an examination copy allow approximately 3 4 weeks for regular delivery

oxford university press photocopyable stop and check - Nov 15 2022

oxford university press photocopyable stop and check as you such as finally you will unequivocally detect a complementary background and performance by using up additional finances you could rapidly retrieve this oxford university press photocopyable stop and check after obtaining bargain it is not around verbally the outlays

headway upper intermediate oxford university press - Apr 20 2023

1 day ago audio and video downloads audio and video to help you study with headway

oxford university press photocopyable stop and check pdf uniport edu - Jun 22 2023

oct 2 2023 web20 jun 2023 this oxford university press photocopyable stop and check that can be your partner you could buy guide oxford university press photocopyable stop and check or get it as soon as workable if you enterprise to obtain and install the oxford university press photocopyable stop and check it is completely plain then now we

oxford university press photocopyable stop and check - Jun 10 2022

jun 10 2023 oxford university press photocopyable stop and check books that will find the money for you worth obtain the definitely best seller from us currently speaking from various selected authors cheers for obtaining oxford university press photocopyable stop and check

best friend forever keepsake journal with prompts bestie gift - Feb 14 2023

check out our best friend journal selection for the very best in unique or custom handmade pieces from our journals notebooks shops

best friends forever journal bestie gift you re m pdf - Jun 06 2022

ebook best friends forever journal bestie gift you re m pdf in addition to it is not directly done you could tolerate even more going on for this life re the world best friends forever

best friends forever journal bestie gift you re my best friend - May 17 2023

personalized journal for best friend with quote and custom message gift for my bestie best friend long distance thank you missing you gift 6 1k 29 74 34 99 15 off free

gudiao friendship gifts best friends forever leather journal - Sep 09 2022

best friends pho ever journal bestie gift you re my best friend bff forever acquaintance admirer classmate comrade coworker sister press shocking frens

amazon com best friend journal - Aug 20 2023

check out our best friend gift journal selection for the very best in unique or custom handmade pieces from our shops

best friends forever journal bestie gift you re m uniport edu - Mar 03 2022

best friends pho ever journal bestie gift you re my best - Jul 07 2022

if you like pho we can be best friends journal bestie gift you re my best friend bff forever acquaintance admirer classmate comrade coworker sister press

if you like pho we can be best friends journal bestie gift - May 05 2022

jun 21 2023 best friends forever journal bestie gift you re m 2 13 downloaded from uniport edu ng on june 21 2023 by guest you re my best galentine girl mary miller 2019 11

best friends forever journal bestie gift you re my best friend - Sep 21 2023

we cannot do without friends we come into this world with several relationships thrust upon us with friendships we have a choice best friends forever journal includes write a story

best friends forever journal bestie gift you re m pdf book - Apr 04 2022

amazon com best friends forever journal bestie - Jul 19 2023

best friends forever journal bestie gift you re my best friend bff forever acquaintance admirer classmate comrade coworker sister connection vine press

best friend journal etsy uk - Dec 12 2022

oct 5 2020 long distance journal best girl friend forever journal long distance friendship gift for birthday personal bestie soul sister thanksgiving holiday gift

buy best friends forever journal bestie gift you re my best - Nov 11 2022

mar 8 2022 amazon com gudiao friendship gifts best friends forever leather journal for women bestie journal notebook engraved travel writing diary gift for graduation

best friend gift journal etsy - Jun 18 2023

dec 3 2019 best friends forever journal bestie gift you re my best friend bff forever acquaintance admirer classmate comrade coworker sister connection

best friends forever journal bestie gift you re m pdf - Aug 08 2022

merely said the best friends forever journal bestie gift you re m is universally compatible following any devices to read you re my best galentine girl mary miller 2019 11 23 best

long distance journal best girl friend forever journal long - Oct 10 2022

sep 15 2023 best friends forever journal bestie gift you re m 2 11 downloaded from uniport edu ng on september 15 2023 by guest special write a poem about your best

amazon co uk best friend journal - Jan 13 2023

amazon in buy best friends forever journal bestie gift you re my best friend bff forever acquaintance admirer classmate comrade coworker sister book online at

best friends forever journal bestie gift you re my best friend - Apr 16 2023

buy best friend forever keepsake journal with prompts bestie gift you re my best friend bff forever acquaintance admirer classmate comrade coworker sister by

best friend journal etsy - Mar 15 2023

895 900 was 11 77 get it tomorrow 26 jul free delivery by amazon only 2 left in stock friends journal best friends for life memory book this diy fill inn book is a unique

leselöwen 1 klasse ein spannendes autorennen apple books - Jun 22 2022

web leselöwen 1 klasse ein spannendes autorennen buch fr 14 90 das meinen unsere kund innen 0 0 0 bewertungen informationen zu bewertungen informationen zu

leselöwen 1 klasse ein spannendes autorennen orell füssli - May 22 2022

web leselöwen 1 klasse ein spannendes autorennen von katja richert jetzt im weltbild bücher shop bestellen reinklicken tolle bücher highlights entdecken

ein spannendes autorennen leselöwen 1 klasse - Jun 03 2023

web isbn 978 3 7855 8597 9 hardcover 8 95 d 9 20 a vincent geht zu seinem ersten autorennen und kann sein glück kaum fassen er darf in die boxengasse und lernt

leselöwen 1 klasse ein spannendes autorennen - Aug 25 2022

web bücher die kinder gerne lesen wollen beliebtes thema autos ausgewogenes text bild verhältnis große schrift kurze kapitel geeignet zum ersten selberlesen

leselöwen 1 klasse ein spannendes autorennen erstlesebuch - Jul 04 2023

web ein spannendes autorennen leselöwen 1 klasse vincent geht zu seinem ersten autorennen und kann sein glück kaum fassen er darf in die boxengasse und lernt

spannendes autorennen leselöwen 1 klasse ein loewe verlag - Apr 01 2023

web klasse ein spannendes autorennen en apple books leselöwen 1 klasse leselöwen 1 klasse ein spannendes autorennen erstlesebuch für kinder ab 6 jahre katja richert

leselöwen 1 klasse ein spannendes autorennen thalia - May 02 2023

web jan 24 2018 book depository is the world s most international online bookstore offering over 20 million books with free delivery worldwide

leselöwen 1 klasse ein spannendes autorennen apple books - Jan 30 2023

web leselöwen 1 klasse ein spannendes autorennen zurück zur liste

leselöwen 1 klasse ein spannendes autorennen perspection inc - Nov 15 2021

leselöwen 1 klasse ein spannendes autorennen lünebuch de - Jan 18 2022

web 1 leselöwen 1 klasse ein spannendes autorennen right here we have countless books leselöwen 1 klasse ein spannendes autorennen and collections to check out we

leselöwen 1 klasse ein spannendes autorennen - Oct 07 2023

web leselöwen 1 klasse ein spannendes autorennen erstlesebuch für kinder ab 6 jahre bücher die kinder gerne lesen wollen beliebtes thema autos

leselöwen 1 klasse ein spannendes autorennen kobo com - Sep 25 2022

web buch gebunden 8 95 in den warenkorb kauf auf rechnung kostenlose rücksendung produktetails produktbeschreibung autorenporträt biblio angaben produktetails

leselöwen 1 klasse ein spannendes autorennen weltbild - Jul 24 2022

web jan 2 2023 jetzt online bestellen heimlieferung oder in filiale leselöwen 1 klasse ein spannendes autorennen erstlesebuch für kinder ab 6 jahre von katja richert orell

leselöwen 1 klasse ein spannendes autorennen saxo - Dec 17 2021

leselöwen 1 klasse ein spannendes autorennen lernando - Nov 27 2022

web read leselöwen 1 klasse ein spannendes autorennen erstlesebuch für kinder ab 6 jahre by katja richert available from rakuten kobo bücher die kinder gerne lesen

leselöwen 1 klasse ein spannendes autorennen apple books - Dec 29 2022

web klasse ein spannendes autorennen vincent geht zu seinem ersten autorennen und kann sein glück kaum fassen er darf in die boxengasse und lernt einen echten

leselöwen 1 klasse ein spannendes autorennen weltbild - Mar 20 2022

web sep 15 2021 bücher die kinder gerne lesen wollen beliebtes thema autos ausgewogenes text bild verhältnis große schrift kurze kapitel geeignet zum

leselöwen 1 klasse ein spannendes autorennen book - Feb 28 2023

web leselöwen 1 klasse ein spannendes autorennen apple books kinder 2021

leselöwen 1 klasse ein spannendes autorennen bei lylli - Oct 27 2022

web leselöwen 1 klasse ein spannendes von richert katja jetzt online bestellen portofrei schnell zuverlässig kein mindestbestellwert individuelle rechnung 20 millionen

leselöwen 1 klasse ein spannendes autorennen erstleser - Feb 16 2022

web få leselöwen 1 klasse ein spannendes autorennen af katja richert som e bog på tysk 9783732016679 bøger rummer alle sider af livet læs lyt lev blandt millioner af

leselöwen 1 klasse ein spannendes autorennen loewe verlag - Sep 06 2023

web leselöwen 1 klasse ein spannendes autorennen erstlesebuch für kinder ab 6 jahre loewe erstlesebücher richert katja böhm michael isbn 9783785585979

leselöwen 1 klasse ein spannendes autorennen orell füssli - Apr 20 2022

web vincent geht zu seinem ersten autorennen und kann sein glück kaum fassen er darf in die boxengasse und lernt einen echten rennfahrer kennen als der

leselöwen 1 klasse ein spannendes autorennen erstlesebuch - Aug 05 2023

web katja richert leselöwen 1 klasse ein spannendes autorennen erstlesebuch für kinder ab 6 jahre kindle ausgabe von katja richert autor michael böhm illustrator 1