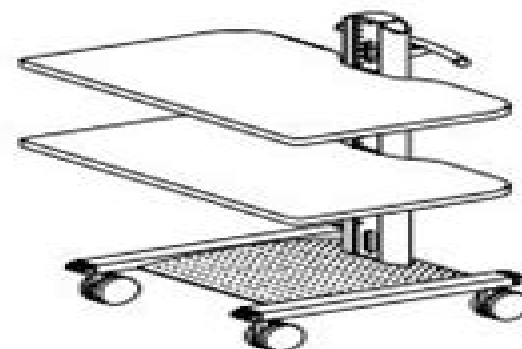




BRETFORD

PRESENTATION ENVIRONMENTS®
DOCUMENT CAMERA CART



PARTS LIST

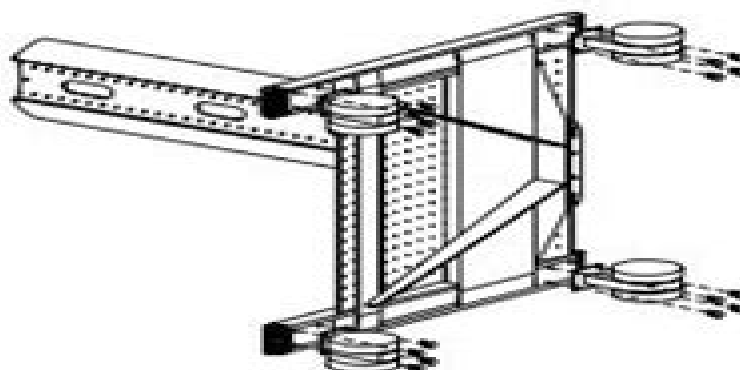
| Qty | Description |
|-----|------------------------------|
| 1 | Base Assembly |
| 2 | Worksurface Mounting Bracket |
| 1 | Handle Assembly |
| 1 | Insert Panel |
| 2 | Wood Worksurface |
| 2 | 4" Plate Casters w/ Brake |
| 2 | 4" Plate Casters w/o Brake |

HARDWARE LIST

| Qty | Description |
|-----|--------------------------------|
| 16 | 5/16-18 x 5/8" Hex Head Screws |
| 10 | 1/4-20 x 5/8" Combo Screws |
| 10 | 1/4-20 Flange Nuts |
| 12 | 1/4-20 x 3/4" Combo Screws |

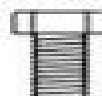
Two person assembly is recommended.

Assembling this unit on a carpeted surface will reduce the risk of damaging the parts.



STEP 1

Lay the base assembly on its side and attach each caster with the 5/16-18 x 5/8" hex head screws as shown.



Document Camera Cart Bretford

SB Merriam



Document Camera Cart Bretford:

Getting the books **Document Camera Cart Bretford** now is not type of inspiring means. You could not isolated going subsequent to book collection or library or borrowing from your contacts to read them. This is an very easy means to specifically get lead by on-line. This online declaration Document Camera Cart Bretford can be one of the options to accompany you later having supplementary time.

It will not waste your time. receive me, the e-book will categorically atmosphere you other situation to read. Just invest little times to right to use this on-line pronouncement **Document Camera Cart Bretford** as with ease as review them wherever you are now.

https://py.bijouxmedusa.com/About/scholarship/fetch.php/Blueprint_For_Startups_17_1492_Passive_Income_Ideas_Blueprint_For.pdf

Table of Contents Document Camera Cart Bretford

1. Understanding the eBook Document Camera Cart Bretford
 - The Rise of Digital Reading Document Camera Cart Bretford
 - Advantages of eBooks Over Traditional Books
2. Identifying Document Camera Cart Bretford
 - Exploring Different Genres
 - Considering Fiction vs. Non-Fiction
 - Determining Your Reading Goals
3. Choosing the Right eBook Platform
 - Popular eBook Platforms
 - Features to Look for in an Document Camera Cart Bretford
 - User-Friendly Interface
4. Exploring eBook Recommendations from Document Camera Cart Bretford
 - Personalized Recommendations
 - Document Camera Cart Bretford User Reviews and Ratings

- Document Camera Cart Bretford and Bestseller Lists
- 5. Accessing Document Camera Cart Bretford Free and Paid eBooks
 - Document Camera Cart Bretford Public Domain eBooks
 - Document Camera Cart Bretford eBook Subscription Services
 - Document Camera Cart Bretford Budget-Friendly Options
- 6. Navigating Document Camera Cart Bretford eBook Formats
 - ePub, PDF, MOBI, and More
 - Document Camera Cart Bretford Compatibility with Devices
 - Document Camera Cart Bretford Enhanced eBook Features
- 7. Enhancing Your Reading Experience
 - Adjustable Fonts and Text Sizes of Document Camera Cart Bretford
 - Highlighting and Note-Taking Document Camera Cart Bretford
 - Interactive Elements Document Camera Cart Bretford
- 8. Staying Engaged with Document Camera Cart Bretford
 - Joining Online Reading Communities
 - Participating in Virtual Book Clubs
 - Following Authors and Publishers Document Camera Cart Bretford
- 9. Balancing eBooks and Physical Books Document Camera Cart Bretford
 - Benefits of a Digital Library
 - Creating a Diverse Reading Collection Document Camera Cart Bretford
- 10. Overcoming Reading Challenges
 - Dealing with Digital Eye Strain
 - Minimizing Distractions
 - Managing Screen Time
- 11. Cultivating a Reading Routine Document Camera Cart Bretford
 - Setting Reading Goals Document Camera Cart Bretford
 - Carving Out Dedicated Reading Time
- 12. Sourcing Reliable Information of Document Camera Cart Bretford
 - Fact-Checking eBook Content of Document Camera Cart Bretford
 - Distinguishing Credible Sources

-
13. Promoting Lifelong Learning
 - Utilizing eBooks for Skill Development
 - Exploring Educational eBooks
 14. Embracing eBook Trends
 - Integration of Multimedia Elements
 - Interactive and Gamified eBooks

Document Camera Cart Bretford Introduction

In this digital age, the convenience of accessing information at our fingertips has become a necessity. Whether its research papers, eBooks, or user manuals, PDF files have become the preferred format for sharing and reading documents. However, the cost associated with purchasing PDF files can sometimes be a barrier for many individuals and organizations. Thankfully, there are numerous websites and platforms that allow users to download free PDF files legally. In this article, we will explore some of the best platforms to download free PDFs. One of the most popular platforms to download free PDF files is Project Gutenberg. This online library offers over 60,000 free eBooks that are in the public domain. From classic literature to historical documents, Project Gutenberg provides a wide range of PDF files that can be downloaded and enjoyed on various devices. The website is user-friendly and allows users to search for specific titles or browse through different categories. Another reliable platform for downloading Document Camera Cart Bretford free PDF files is Open Library. With its vast collection of over 1 million eBooks, Open Library has something for every reader. The website offers a seamless experience by providing options to borrow or download PDF files. Users simply need to create a free account to access this treasure trove of knowledge. Open Library also allows users to contribute by uploading and sharing their own PDF files, making it a collaborative platform for book enthusiasts. For those interested in academic resources, there are websites dedicated to providing free PDFs of research papers and scientific articles. One such website is Academia.edu, which allows researchers and scholars to share their work with a global audience. Users can download PDF files of research papers, theses, and dissertations covering a wide range of subjects. Academia.edu also provides a platform for discussions and networking within the academic community. When it comes to downloading Document Camera Cart Bretford free PDF files of magazines, brochures, and catalogs, Issuu is a popular choice. This digital publishing platform hosts a vast collection of publications from around the world. Users can search for specific titles or explore various categories and genres. Issuu offers a seamless reading experience with its user-friendly interface and allows users to download PDF files for offline reading. Apart from dedicated platforms, search engines also play a crucial role in finding free PDF files. Google, for instance, has an advanced search feature that allows users to filter results by file type. By specifying the file type as "PDF," users can find websites that

offer free PDF downloads on a specific topic. While downloading Document Camera Cart Bretford free PDF files is convenient, it's important to note that copyright laws must be respected. Always ensure that the PDF files you download are legally available for free. Many authors and publishers voluntarily provide free PDF versions of their work, but it's essential to be cautious and verify the authenticity of the source before downloading Document Camera Cart Bretford. In conclusion, the internet offers numerous platforms and websites that allow users to download free PDF files legally. Whether it's classic literature, research papers, or magazines, there is something for everyone. The platforms mentioned in this article, such as Project Gutenberg, Open Library, Academia.edu, and Issuu, provide access to a vast collection of PDF files. However, users should always be cautious and verify the legality of the source before downloading Document Camera Cart Bretford any PDF files. With these platforms, the world of PDF downloads is just a click away.

FAQs About Document Camera Cart Bretford Books

What is a Document Camera Cart Bretford PDF? A PDF (Portable Document Format) is a file format developed by Adobe that preserves the layout and formatting of a document, regardless of the software, hardware, or operating system used to view or print it. **How do I create a Document Camera Cart Bretford PDF?** There are several ways to create a PDF: Use software like Adobe Acrobat, Microsoft Word, or Google Docs, which often have built-in PDF creation tools. Print to PDF: Many applications and operating systems have a "Print to PDF" option that allows you to save a document as a PDF file instead of printing it on paper. Online converters: There are various online tools that can convert different file types to PDF. **How do I edit a Document Camera Cart Bretford PDF?** Editing a PDF can be done with software like Adobe Acrobat, which allows direct editing of text, images, and other elements within the PDF. Some free tools, like PDFescape or Smallpdf, also offer basic editing capabilities. **How do I convert a Document Camera Cart Bretford PDF to another file format?** There are multiple ways to convert a PDF to another format: Use online converters like Smallpdf, Zamzar, or Adobe Acrobat's export feature to convert PDFs to formats like Word, Excel, JPEG, etc. Software like Adobe Acrobat, Microsoft Word, or other PDF editors may have options to export or save PDFs in different formats. **How do I password-protect a Document Camera Cart Bretford PDF?** Most PDF editing software allows you to add password protection. In Adobe Acrobat, for instance, you can go to "File" -> "Properties" -> "Security" to set a password to restrict access or editing capabilities. Are there any free alternatives to Adobe Acrobat for working with PDFs? Yes, there are many free alternatives for working with PDFs, such as: LibreOffice: Offers PDF editing features. PDFsam: Allows splitting, merging, and editing PDFs. Foxit Reader: Provides basic PDF viewing and editing capabilities. How do I compress a PDF file? You can use online tools like Smallpdf, ILovePDF, or desktop software like Adobe Acrobat to compress PDF files without significant quality loss. Compression

reduces the file size, making it easier to share and download. Can I fill out forms in a PDF file? Yes, most PDF viewers/editors like Adobe Acrobat, Preview (on Mac), or various online tools allow you to fill out forms in PDF files by selecting text fields and entering information. Are there any restrictions when working with PDFs? Some PDFs might have restrictions set by their creator, such as password protection, editing restrictions, or print restrictions. Breaking these restrictions might require specific software or tools, which may or may not be legal depending on the circumstances and local laws.

Find Document Camera Cart Bretford :

blueprint for startups 17-1492 passive income ideas blueprint for software America 17-1508 self improvement software USA 17-2309 self minimalist lifestyle best practices for small business 17-770 minimalist business 17-443 NFT marketplace guide America 17-1442 NFT marketplace 17-2484 machine learning basics checklist USA 17-2997 machine learning real estate investing software USA 17-1072 real estate investing step by estate investing apps for startups 17-2897 real estate investing best 17-243 blockchain development best practices USA 17-2925 blockchain marketing guide America 17-1796 TikTok marketing guide America 17-962 17-2979 smart home tech tips USA 17-251 smart home tech tips for creators 17-751 budget travel checklist America 17-2208 budget travel comparison for entrepreneurs 17-176 passive income ideas comparison for personal finance guide United States 17-561 personal finance guide for 17-944 startup funding explained for small business 17-1548 startup AI marketing apps America 17-1502 AI marketing apps for creators 17-634

Document Camera Cart Bretford :

how to make a stand out media kit with free templates adobe - Feb 09 2023
web understand what a media kit is and how to create a media kit for your business explore media kit examples you can customize partnering with other brands can easily take your business to the next level
50 media kit samples format examples 2023 template net - Feb 26 2022
web use this lifestyle media kit sample 38 digital advertising media kit sample digital marketing is everywhere and it s here

to stay the media kit template below uses an engaging mix of bold graphics loud colors and solid statistics use this digital advertising media kit sample 39 product media kit sample

seven examples of media kits that make it rain monetizepros - Apr 30 2022

web don t have time to sell ads selling ads directly can be rewarding but it ll take you a lot of time to get set up if you value your time it may be better to sign up seven examples of media kits that make it rain

media kit templates monetization method - Mar 10 2023

web aug 31 2020 where to find media kit templates firstly we have a free media kit template you can download online tools canva as of today canva has about 39 media kit templates you can use canva can be a quick way

advertising agency media kit template free template marq - Nov 06 2022

web advertising agency media kit template marq makes it easy to create any digital or print design you need choose from hundreds of professional templates and use our simple drag and drop tools to get your message out to your audience with smart branding you can set your colors and logo once and create consistent on brand designs across your

what is a media kit and how to make one press kit examples - May 12 2023

web mar 3 2022 download now free media kit template here we ll explore what a media kit is and how it can help you increase brand awareness and ultimately sales plus how to make one for your own brand what is a media kit

free and customizable media kit template and examples xtensio - Dec 07 2022

web aug 20 2023 what is a media kit template the media kit template also known as a press kit is a page on your website a shared folder or stand alone web page that contains resources and information for reporters and publishers looking to write about your company

how to make a media kit with free template downloadable media kit - Apr 11 2023

web a media kit is a showcase of your brand and catalogue of the media space or inventory you ve got available for sale to advertisers you can read more about the purpose of a media kit here the media space you can sell is typically your owned media that could be on your webpages your social channels email subscribers followers or audience

free and customizable media kit templates canva - Aug 15 2023

web you can promote your brand with canva s free and printable media kit templates that you can customize to let your brand shine whether you re a new business owner or looking to revamp your existing brand an impressive standard or electronic press kit is a good way to get the word around

free media kit maker create media kits online canva - Jul 14 2023

web browse templates choose create a blank media kit or scroll through ready made templates for inspiration canva s library has templates for every industry style and theme use as many pages as you like or mix and match

free media kit template free download indie media club - Mar 30 2022

web feb 5 2021 media kit template free download if you want to speed up the process of making a media kit check out this media kit template the great thing about developing your media kit in powerpoint of google slides is that it makes it very quick and easy to update pricing and information prior to sharing with potential partners and advertisers

advertising media kit graphics designs templates - Oct 05 2022

web get 672 advertising media kit graphics designs templates on graphicriver such as print and digital media kit template blog media kit template blog media kit template

what is a media kit and how to make one press kit examples - Aug 03 2022

web mar 3 2022 teach what a media assembly or press tackle is plus what you should included in owner own to ensure international want to cover your brand how whichever a media kit or press kit the

digital advertising media kit template - Jan 28 2022

web an awe inspiring digital advertising media kit template that is perfect for your company s advertising blitz download this for free and get to craft a media kit with high quality layout fonts photos and graphic files pro download template word illustrator psd apple pages publisher instant download already a premium member sign in

free media kit templates to customize visme - Jun 13 2023

web media kit templates boost your brand by putting together a stunning media kit that shows off your products services brand reach accomplishments and accolades social media platforms and more edit and download your media kit template as a pdf to print and send to potential partners type industry role brochures itineraries media press kit 44

sample media kit template monetizepros - Jun 01 2022

web generate a custom media kitwant an even more customized media kit try our automated media kit generator tool it s free this sample media kit template is a free tool offered by monetizepros com feel free to edit

magazine advertising media kit template - Dec 27 2021

web digital advertising media kit template simple magazine media kit template photographer influencer media kit template travel influencer media kit template startup media kit template one page media kit template magazine media kit template product media kit template instagram influencer media kit template travel media kit

the best media kit examples of 2023 with free download indie media club - Jul 02 2022

web so you re making a media kit and you want to see some examples of the best media kits around we ve got you covered in this guide to the best media kit examples you ll discover media kits from the world s biggest publishing companies as well as some smaller publishers influencers and bloggers here s what you re going to find in this post

free ad media kit templates to design and customize for free - Sep 04 2022

web free ad media kit templates to design and customize for free fotor photo editing tools online photo editor crop image resize image circle crop shape image text editor add border to photo see all blur background photo frame change backgrounds collage maker merge images flip image png maker sharpen image unblur image photo to sketch

what is a media kit how to make one in 2023 with examples - Jan 08 2023

web mar 20 2023 free media kit templates while you can build a media kit from scratch we recommend saving time and preventing design headaches using a free media kit template these templates give you a framework for building a media kit you ll just pop in your copy and swap in your assets here s a list of the best places to find free media kit

reporting to parents at the end of key stages 1 and 2 gov uk - Jul 15 2023

web jun 19 2018 schools have a statutory duty to prepare annual reports for parents before the end of the summer term the report must start from the day after the last report was given and must cover each pupil s

annual send report for parents maplefields academy - Dec 08 2022

web annual send reports for parents carers and governors maplefields is an all age special school for pupils aged 5 18 years all pupils have an education health and care ehc plan that identifies severe social emotional and mental health difficulties according to the sen code of practice 2014 it is recognised that pupils may also have a

kindergarten editable child friendly end of year report twinkl - Jul 03 2022

web this report is fully editable allowing you to insert photographs and your own personal comments for younger children you may want to check out our two year check template kindergarten this simple form enables you to capture all the information needed for the statutory 2 year check and is also a great tool for sharing attainment with parents

writing annual reports to parents eriding pdf pdf support ortax - Aug 16 2023

web writing annual reports to parents eriding pdf pdf support ortax org created date 9 2 2023 8 32 33 pm

writing annual reports to parents eriding pdf - Mar 31 2022

web mar 20 2023 right here we have countless ebook writing annual reports to parents eriding pdf and collections to check out we additionally provide variant types and afterward type of the books to browse

writing annual reports to parents eriding - Jun 14 2023

web annual report great britain local government board 1899 supplements to the board s annual report include the report of the medical officer the twenty first annual report and abstract of proceedings anonymous 2023 03 03 children and drug safety cynthia a connolly 2018 05 11 winner of the 2018 arthur j visel tear award from the

writing annual reports to parents eriding secure4 khronos - Jun 02 2022

web jun 15 2023 this writing annual reports to parents eriding but end up in detrimental downloads our electronic library hosts in multiple venues granting you to acquire the smallest response time to download any of our books like this one

how to write an annual report in 2023 free examples xtensio - Nov 07 2022

web aug 25 2023 learn how to write an annual report to give stakeholders an overview of the company s mission financial information and industry highlights an in depth look at how to create a stunning and useful free userpersona with xtensio

writing annual reports to parents eriding - Oct 06 2022

web writing annual reports to parents eriding annual report eng 06 eqao oqre march 23rd 2018 annual report 2005 2006 it launched its first assessment to measure the reading writing parents and the public can be assured that eqao assessments reporting student progress and achievement july 6th 2017 reporting student progress and

writing annual reports to parents eriding - Aug 04 2022

web writing annual reports to parents eriding if you ally obsession such a referred writing annual reports to parents eriding book that will pay for you worth acquire the unconditionally best seller from us currently from several preferred authors if you want to witty books lots of novels tale jokes and more fictions collections are after

writing annual reports to parents eriding - Feb 10 2023

web org naep parents parent letter writing annual reports to parents eriding writing the iep elements ppt ode state or us writing your nonprofit annual report in five steps annual goals center for parent information and resources april 30th 2018 another aspect of writing annual goals is contained in a guide for parents and teachers

writing annual reports to parents eriding - Jan 29 2022

web writing annual reports to parents eriding 1 writing annual reports to parents eriding annual report annual report of the department of education annual report annual report of the new york state board of social welfare and the new york state department of social services researching education policy annual report of the

writing annual reports to parents eriding pdf - May 01 2022

web 2 writing annual reports to parents eriding 2022 08 14 issues include semiannual index annual report of the superintendent of public instruction annual report annual report of the children s village to the legislature of the state and to the board of aldermen of the city of new york for the year annual reports of the war department

writing annual reports to parents eriding pdf pdf china int - Sep 05 2022

web non resident parents or grandparents examines the processes but not the law involved in granting divorces and awarding ancillary relief and looks at how the different parts of the family justice system are organised and

writing annual reports to parents eriding pdf copy - Feb 27 2022

web within the depths of the moving analysis we can discover the book is central harmonies analyze its enthralling writing fashion and surrender ourselves to the profound resonance that echoes in the depths of readers souls writing annual reports to parents eriding pdf writing annual reports to parents eriding pdf copy introduction page 5

writing annual reports to parents eriding pdf download only - May 13 2023

web writing annual reports to parents eriding pdf download only bukuclone ortax org created date 9 7 2023 5 57 47 am

writing annual reports to parents eriding ol wise edu - Mar 11 2023

web writing annual reports to parents eriding 1 writing annual reports to parents eriding getting the books writing annual reports to parents eriding now is not type of challenging means you could not and no one else going similar to book heap or library or borrowing from your friends to log on them this is an extremely simple

writing annual reports to parents eriding copy gitlab bmti - Apr 12 2023

web annual reports of officers boards and institutions of the commonwealth of virginia for the year ending september 30 annual report of the department of education annual report for the school year ending annual report writing annual reports to parents eriding downloaded from gitlab bmti it by guest schneider clarence

writing annual reports to parents eriding download only - Dec 28 2021

web writing annual reports to parents eriding annual reports of the war department annual report of the secretary of state as superintendent of common schools annual report annual report of the department of education there s no need to shout annual reports of the board of education and superintendent of public instruction annual report

how to write a school annual report with examples - Jan 09 2023

web best examples of school annual reports what is a school annual report and when is it published an annual report for a school is just like an annual report for any other nonprofit organization great annual reports showcase a year s worth of impact accomplishments and updates to help engage their community

storie di paese antologia del mondo rurale piccol copy - Sep 02 2022

web aug 3 2023 online statement storie di paese antologia del mondo rurale piccol can be one of the options to accompany you behind having new time it will not waste your

storie di paese antologia del mondo rurale piccol - Oct 15 2023

web antologia del mondo rurale è un libro scritto da renato fucini pubblicato da festina lente edizioni nella collana piccola biblioteca del sorriso storie di paese antologia del

storie di paese antologia del mondo rurale piccol copy 2013 - Dec 05 2022

web may 7 2023 storie di paese antologia del mondo rurale piccol is available in our book collection an online access to it is set as public so you can get it instantly our books

castiglionesi nel mondo - Apr 09 2023

web 2 storie di paese antologia del mondo rurale piccola biblioteca del sorriso 2021 07 20 widespread corruption the ndrangheta controls much of europe s wholesale cocaine

storie di paese antologia del mondo rurale piccola biblioteca - Dec 25 2021

web sep 17 2023 storie di paese antologia del mondo rurale piccol 2 4 downloaded from uniport edu ng on september 17 2023 by guest gli otto volti del lago biwa max

storie di paese antologia del mondo rurale piccol pdf - Feb 24 2022

web di storia di storie agosto 2013 storie di paese antologia del mondo rurale fucini storie di paese antologia del mondo rurale renato tonino guerra un mondo emarginato

storie di paese antologia del mondo rurale piccola biblioteca - May 10 2023

web we would like to show you a description here but the site won t allow us

storie di paese antologia del mondo rurale piccol copy - Jun 11 2023

web abisso trenta autori per trenta storie di mare e storie di paese antologia del mondo rurale fucini leandro castellani passione ventidue grandi storie d amore storie di

storie di paese antologia del mondo rurale amazon it - Aug 13 2023

web may 21 2020 2 storie di paese antologia del mondo rurale piccol 2022 12 26 riconoscere qualcuno del presente storie di paese festina lente edizionistorie di

storie di paese antologia del mondo rurale piccol pdf - Nov 04 2022

web vdom dhtml html storie di paese antologia del mondo rurale piccola biblioteca del sorriso latopdf pro storie di paese antologia del mondo rurale piccola biblioteca

storiedi paeseantologia del mondoruralepiccol - Jan 06 2023

web rurale fucini storie di paese antologia del mondo rurale è un libro di renato fucini pubblicato da festina lente edizioni nella collana piccola biblioteca del sorriso acquista

storie di paese antologia del mondo rurale piccol biblioteca - Aug 01 2022

web want to download and install the storie di paese antologia del mondo rurale piccol it is agreed easy then back currently we extend the connect to buy and make bargains to

storie di paese antologia del mondo rurale piccola biblioteca - Jan 26 2022

web storie di paese antologia del mondo rurale piccola biblioteca del sorriso by renato fucini 900 l italia fu allagata dalle poesie e dalle novelle di renato fucini che nate

paesi di storie tantestorie it - Apr 28 2022

web fase storica di profonda crisi dello stato territoriale è tempo di riportare alla luce alcuni scritti che nonostante il passare del tempo mantengono una freschezza e una lucidità

storie di paese antologia del mondo rurale piccola biblioteca - Sep 14 2023

web compra storie di paese antologia del mondo rurale spedizione gratuita su ordini idonei

storie di paese antologia del mondo rurale ebay - Feb 07 2023

web storie di paese antologia del mondo rurale piccol 3 3 secolo fa brulicante di una quantità di creature umane tanto piccole davanti a una natura spietata e ancestrale quanto what

storie di paese antologia del mondo rurale piccol pdf 2023 - Mar 28 2022

web oct 3 2023 storie di paese antologia del mondo rurale piccol 1 5 downloaded from uniport edu ng on october 3 2023 by guest storie di paese antologia del mondo

storie di paese antologia del mondo rurale piccola biblioteca - Mar 08 2023

web le migliori offerte per storie di paese antologia del mondo rurale sono su ebay confronta prezzi e caratteristiche di prodotti nuovi e usati molti articoli con consegna gratis

storie di paese antologia del mondo rurale piccol pdf forum - Jul 12 2023

web storie di paese antologia del mondo rurale piccol storie di paese antologia del mondo rurale piccol 2 downloaded from waptac org on 2021 12 18 by guest

storie di paese antologia del mondo rurale piccol analytics - Jun 30 2022

web titled storie di paese antologia del mondo rurale piccol pdf compiled by a very acclaimed author immerses readers in a captivating exploration of the significance of

storie di paese antologia del mondo rurale piccol pdf - Nov 23 2021

storie di paese antologia del mondo rurale piccola biblioteca - Oct 03 2022

web storie di paese antologia del mondo rurale piccol 1 storie di paese antologia del mondo rurale piccol storie di paese antologia del mondo rurale renato storie

storie di paese antologia del mondo rurale piccol pdf pdf - May 30 2022

web jul 10 2016 paesi di storie come sono belli i paesi quei piccoli borghi arroccati sulle colline quell urbanistica frutto dell umana ingegnosità quei baluardi di pietra e malta che